



US00D697127S

(12) **United States Design Patent**
O'Donnell et al.

(10) **Patent No.:** **US D697,127 S**
(45) **Date of Patent:** **** Jan. 7, 2014**

(54) **CAMERA MOUNT**
(71) Applicant: **Contour, Inc.**, Seattle, WA (US)
(72) Inventors: **Laura O'Donnell**, Hermosa Beach, CA (US); **Carm Pierce**, Stanwood, WA (US); **Carl Perkins**, Seattle, WA (US)

5,557,329 A 9/1996 Lim
5,583,571 A 12/1996 Friedland
D378,095 S 2/1997 Hasegawa
D392,300 S 3/1998 Chow et al.
5,859,666 A 1/1999 Manabe
5,966,176 A 10/1999 Chow et al.

(Continued)

(73) Assignee: **Contour, Inc.**, Seattle, WA (US)

FOREIGN PATENT DOCUMENTS

(**) Term: **14 Years**

CA 2 463 117 A1 8/2004
DE 198 31 819 C1 7/1998

(21) Appl. No.: **29/439,575**

(Continued)

(22) Filed: **Dec. 12, 2012**

OTHER PUBLICATIONS

Related U.S. Application Data

International Application No. PCT/US2008/71661, filed Jul. 30, 2008.

(62) Division of application No. 29/422,605, filed on May 22, 2012, now Pat. No. Des. 675,242, which is a division of application No. 29/368,734, filed on Aug. 27, 2010, now Pat. No. Des. 663,350.

(Continued)

(51) **LOC (10) Cl.** **16-05**

Primary Examiner — Susan Bennett Hattan

(52) **U.S. Cl.**
USPC **D16/242**

Assistant Examiner — Vy Koenig

(58) **Field of Classification Search**
USPC D16/200–204, 208, 214, 219, 237–242, D16/245, 250; D8/354, 355, 394, 396; 248/176.1, 177.1, 185.1, 187.1; 396/419, 428; D14/217, 511
See application file for complete search history.

(74) *Attorney, Agent, or Firm* — Stoel Rives LLP

(57) **CLAIM**

The ornamental design for a camera mount, as shown and described.

DESCRIPTION

(56) **References Cited**

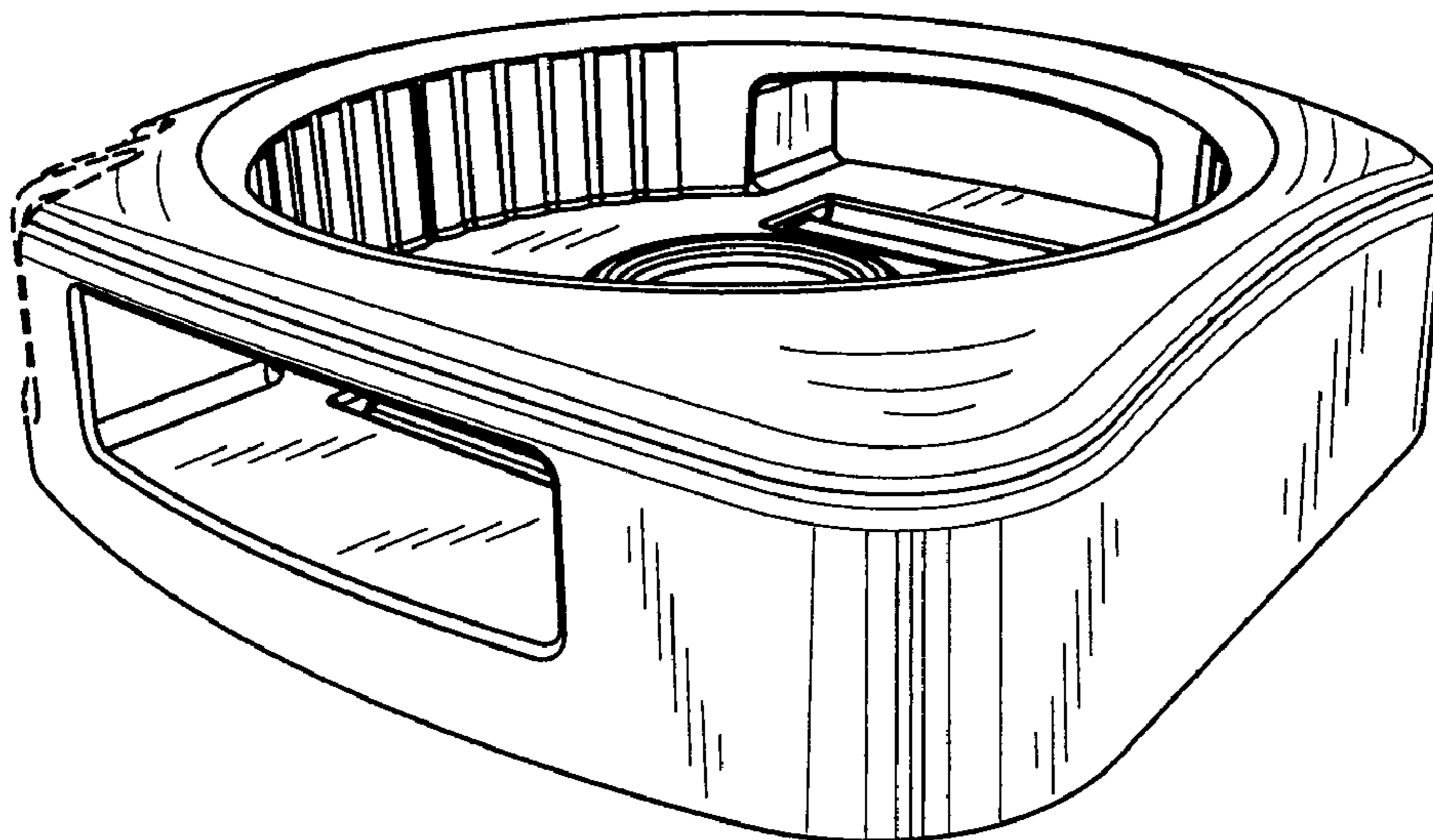
U.S. PATENT DOCUMENTS

D160,827 S * 11/1950 Williams D16/238
D246,528 S * 11/1977 Miller D16/245
4,516,157 A 5/1985 Campbell
4,525,045 A 6/1985 Fazekas
D292,982 S * 12/1987 Nakatani D16/245
5,056,745 A * 10/1991 Gelbard 248/183.4
5,218,439 A 6/1993 Mizoguchi et al.

FIG. 1 is a top, front, and right side perspective view camera mount, showing our new design;
FIG. 2 is a top plan view thereof;
FIG. 3 is a front elevation view thereof;
FIG. 4 is a left side elevation view thereof;
FIG. 5 is a right side elevation view thereof;
FIG. 6 is a rear elevation view thereof; and,
FIG. 7 is a bottom view thereof.

The broken lines showing in FIGS. 1-7 depict environmental features and form no part of the claimed design.

1 Claim, 3 Drawing Sheets



(56)

References Cited

U.S. PATENT DOCUMENTS

6,028,627 A 2/2000 Helmsderfer
 6,091,831 A 7/2000 Cho
 D430,888 S 9/2000 Adachi et al.
 6,142,437 A 11/2000 Wilkins, Jr.
 6,377,302 B1 4/2002 Ozaki et al.
 6,421,088 B1 7/2002 Lee
 D471,578 S * 3/2003 Okuley D16/242
 6,704,044 B1 3/2004 Foster et al.
 6,819,354 B1 11/2004 Foster et al.
 D506,489 S 6/2005 Owada
 D510,374 S 10/2005 Greenwood et al.
 6,955,484 B2 10/2005 Woodman
 D529,533 S * 10/2006 Oh et al. D16/242
 D547,346 S 7/2007 Ollila
 7,273,321 B2 9/2007 Woodman
 D558,805 S 1/2008 Sadatsuki
 7,330,511 B2 2/2008 Maltagliati et al.
 7,353,086 B2 4/2008 Ennis
 D576,658 S 9/2008 Speggiorin
 D581,959 S 12/2008 Chan
 7,458,736 B2 12/2008 Woodman
 D586,501 S * 2/2009 Mayer et al. D26/122
 D591,325 S * 4/2009 Dordick D16/242
 7,522,834 B2 4/2009 Heaven et al.
 D592,231 S 5/2009 Schnell
 D592,235 S * 5/2009 Bryant et al. D16/243
 D596,658 S * 7/2009 Dordick D16/242
 D603,442 S * 11/2009 Dordick D16/242
 7,658,556 B2 2/2010 Johnson
 7,661,891 B2 2/2010 Heibel
 D616,006 S 5/2010 Green et al.
 7,753,599 B2 7/2010 Segawa et al.
 D621,435 S 8/2010 Green et al.
 D630,238 S 1/2011 Fukuma et al.
 D640,304 S * 6/2011 Green et al. D16/242
 D640,722 S 6/2011 Green et al.
 D643,057 S * 8/2011 Mendoza et al. D16/242
 8,014,656 B2 9/2011 Woodman
 D646,315 S * 10/2011 Orf D16/242
 8,079,501 B2 12/2011 Woodman
 D653,692 S * 2/2012 Dordick D16/242
 8,120,651 B2 2/2012 Ennis
 D665,006 S 8/2012 Green et al.
 D675,242 S * 1/2013 O'Donnell et al. D16/242
 2002/0067920 A1 6/2002 Weng et al.
 2003/0063200 A1 4/2003 Isoyama
 2003/0128975 A1 7/2003 Shevick

2004/0004825 A1 1/2004 Malard et al.
 2005/0200750 A1 9/2005 Ollila
 2005/0206736 A1 9/2005 Ng et al.
 2006/0055786 A1 3/2006 Ollila
 2006/0274171 A1 12/2006 Wang
 2007/0111754 A1 5/2007 Marshall et al.
 2009/0109292 A1 4/2009 Ennis
 2011/0280540 A1 11/2011 Woodman

FOREIGN PATENT DOCUMENTS

DE 20 2004 001 608 U1 6/2004
 EP 0 917 359 A1 5/1999
 EP 0980181 2/2000
 EP 1 944 965 A1 7/2008
 JP 61-118076 6/1986
 JP 08-223524 8/1996
 WO WO 94/26061 11/1994
 WO WO 96/38004 11/1996
 WO WO 2007/077759 A1 7/2007

OTHER PUBLICATIONS

Austrian Patent Office, Search and Opinion on Legal Validity, Aug. 3, 2010 (German language version and English translation).
 Internet website: https://www.midlandradio.com/Resource_/Product/1390/Detail/LargeImage/Goggle%20Mou..., Oct. 18, 2010.
 Supplemental Search Report from the European Patent Office concerning related European Patent Application No. 08782542.8.
 English language machine translation of JP 08-223524.
 Drawing of subject matter of a photograph of a Midlandradio goggle mount for a camera. The photograph was taken at the CES Trade Show, Jan. 2010.
 Drawing of subject matter of a photograph of a Midlandradio goggle mount for a camera with a plug mount inserted into the goggle mount and with a camera showing in the foreground. The photograph was taken at the CES Trade Show, Jan. 2010.
 Drawing of subject matter from a print out from an Internet website: https://www.midlandradio.com/Resource_/Product/1390/Detail/LargeImage/Goggle%20Mou..., Oct. 18, 2010.
 May 13, 2011 Written Opinion concerning related Singapore Patent Application No. 20100010-4.
 Office action dated Nov. 24, 2011 issued by the Chinese Patent Office for corresponding Chinese Patent Application No. 200880109237.6.
 Co-pending Design U.S. Appl. No. 29/423,856, filed Jun. 5, 2012.
 Co-pending Design U.S. Appl. No. 29/423,720, filed Jun. 4, 2012.

* cited by examiner

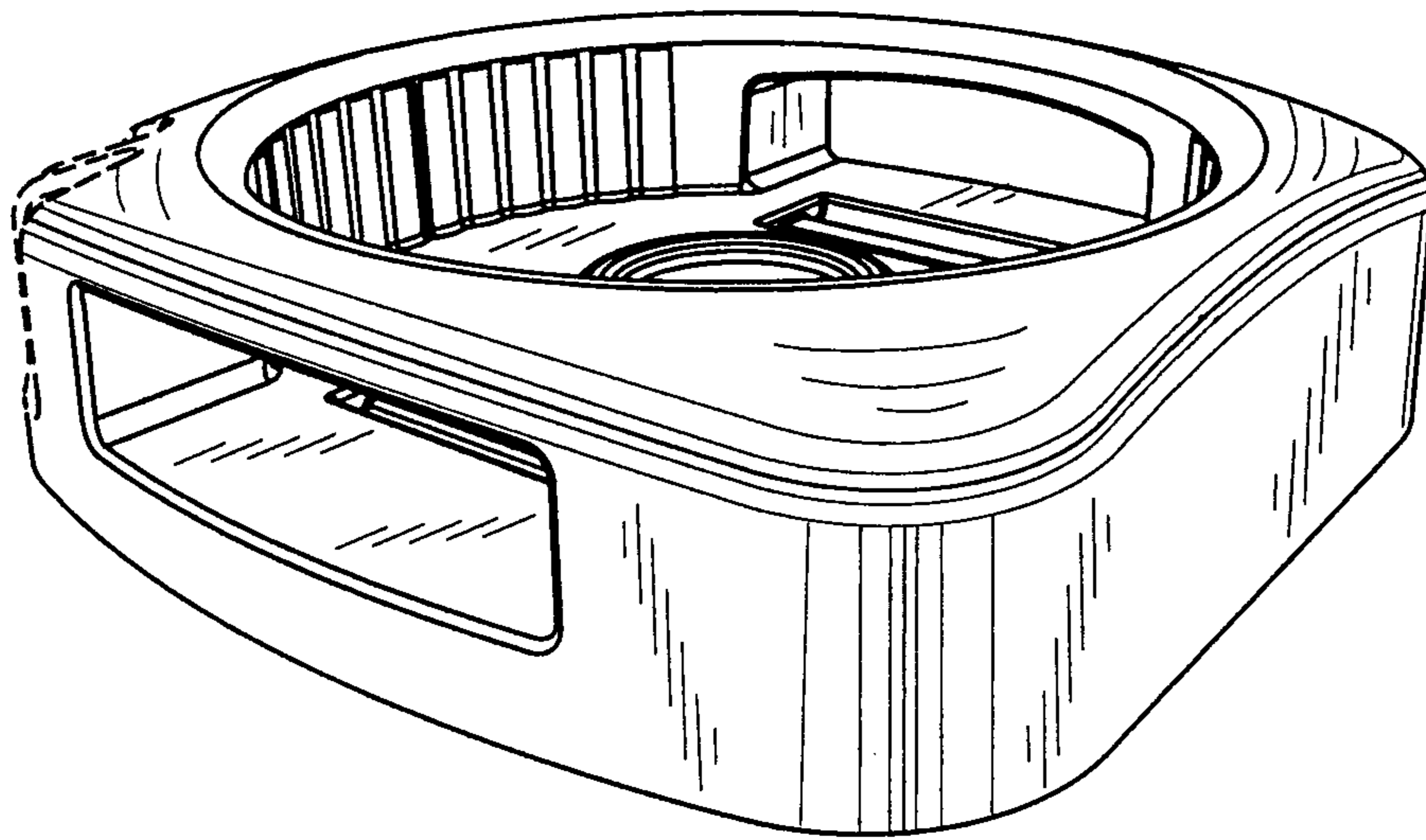


FIG. 1

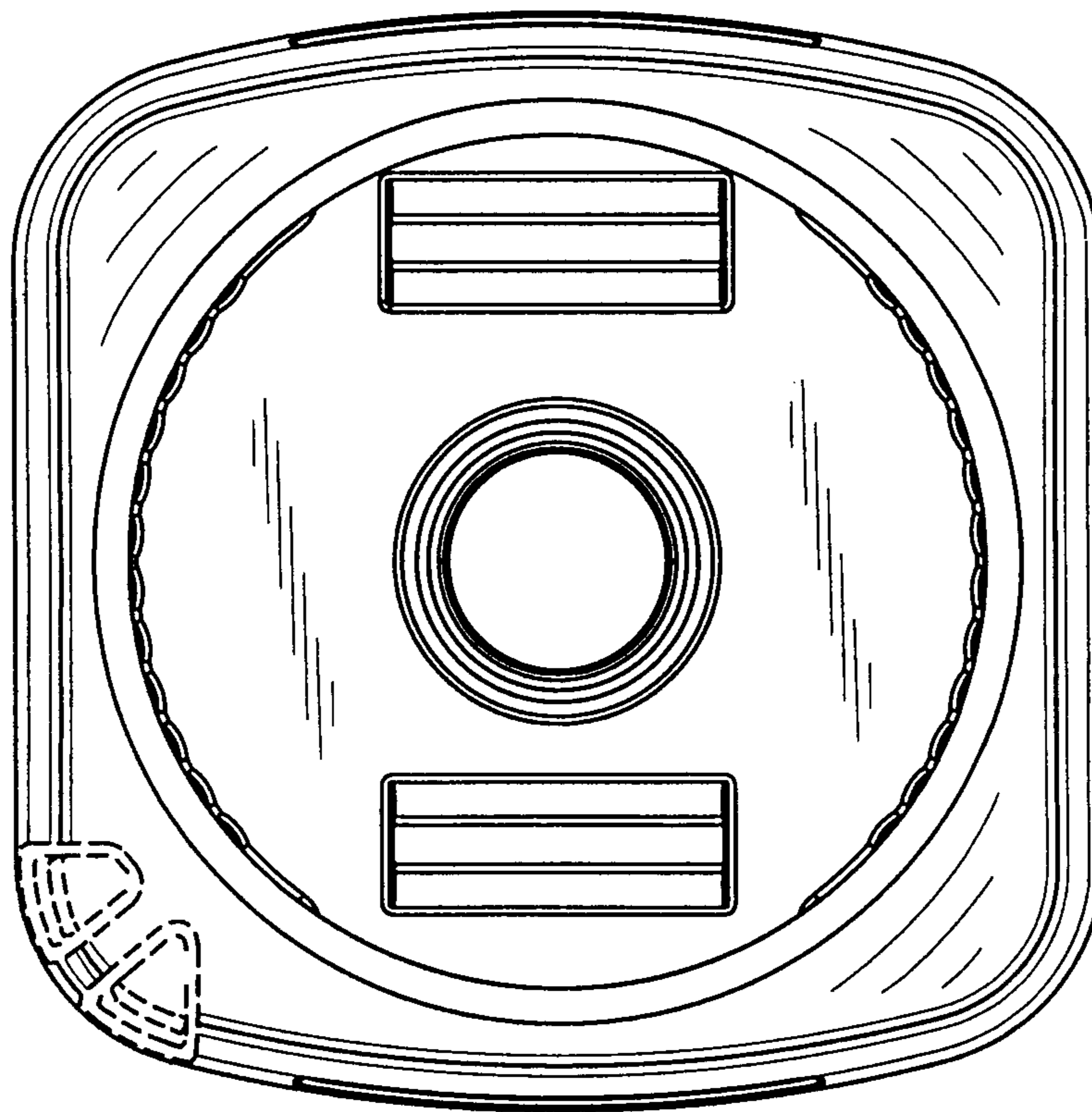


FIG. 2

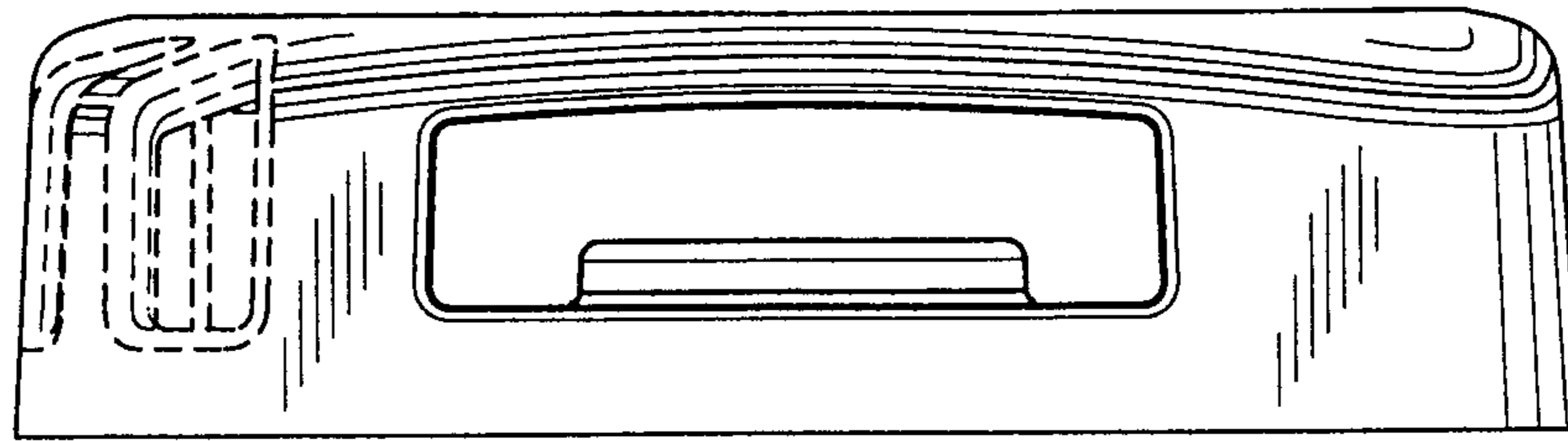


FIG. 3

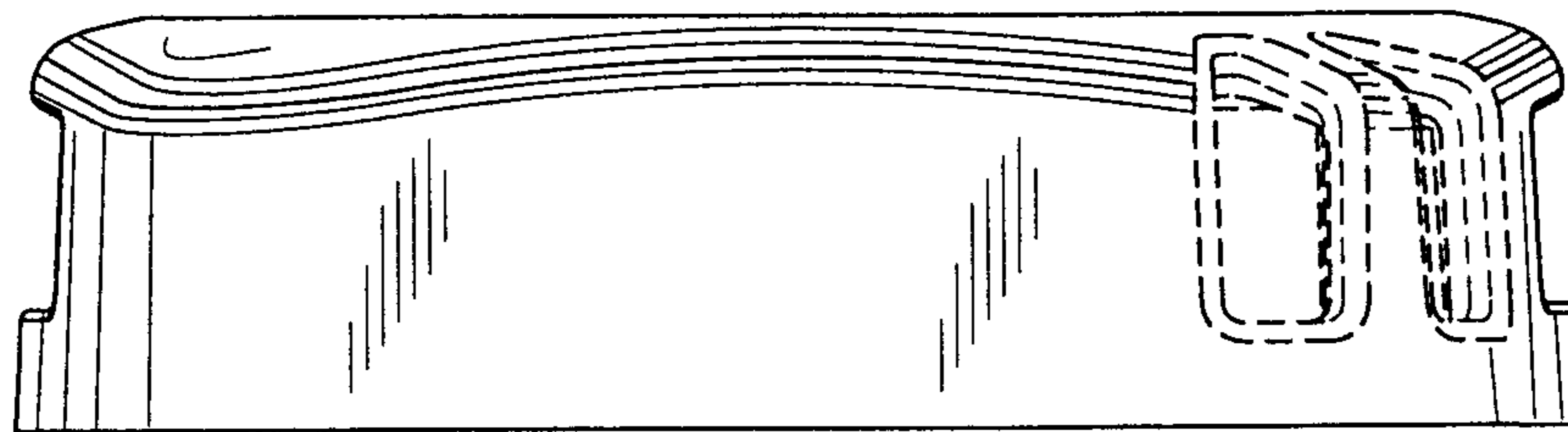


FIG. 4

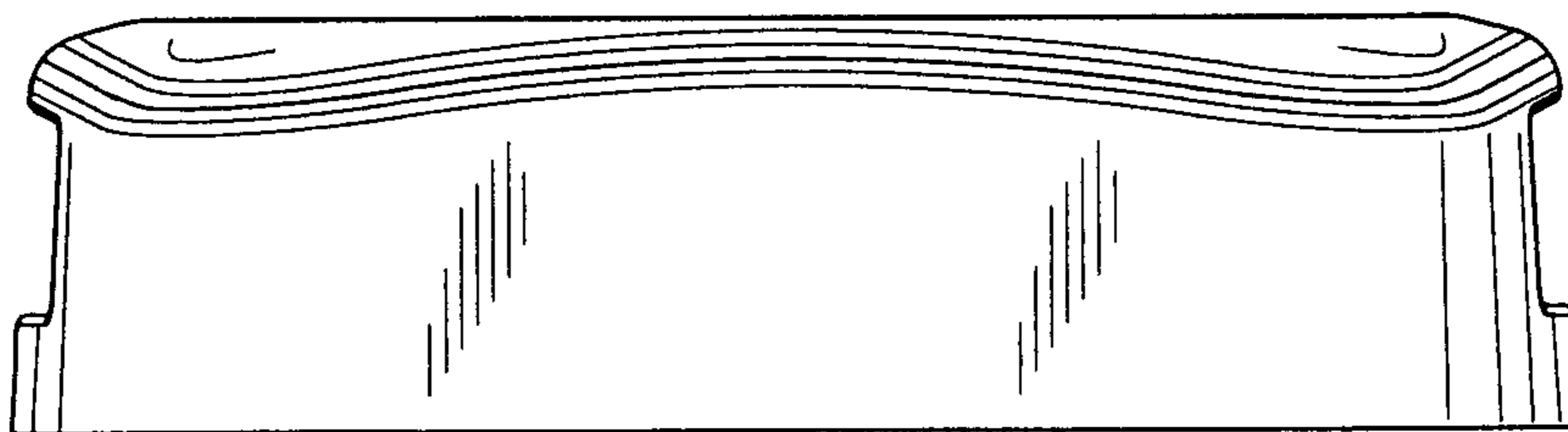


FIG. 5

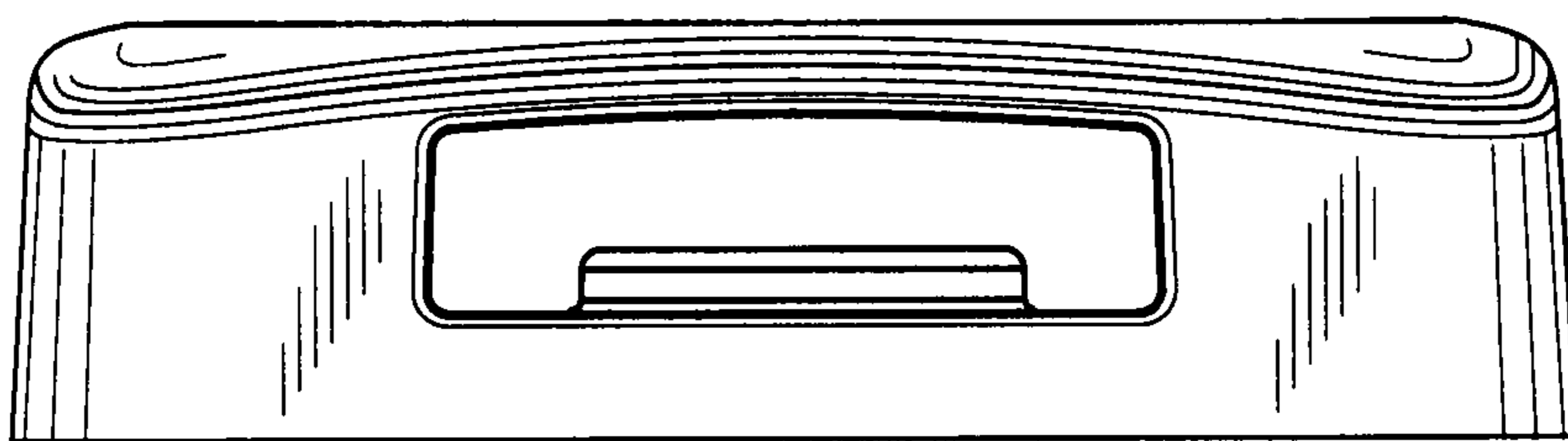


FIG. 6

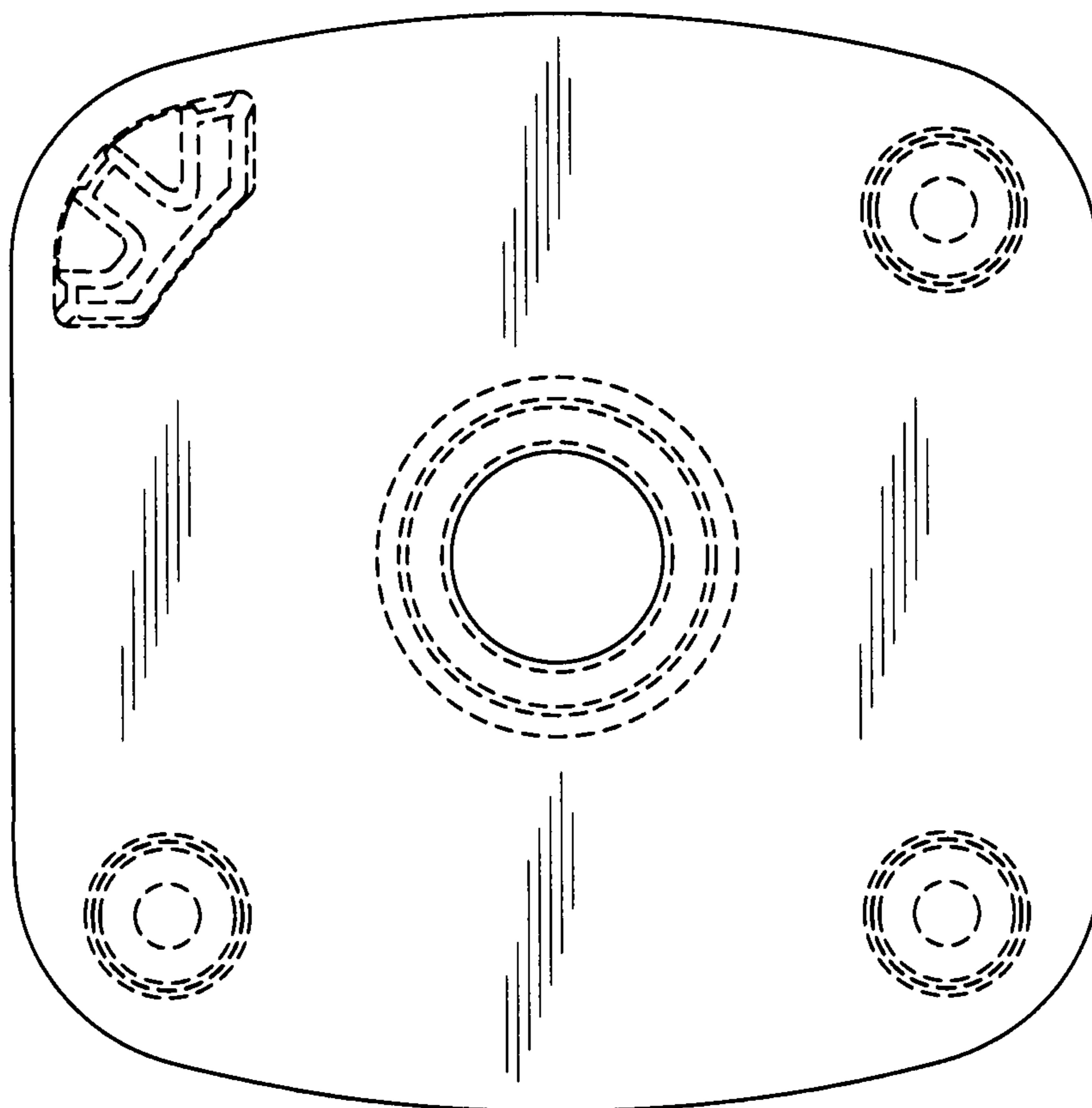


FIG. 7