



US00D697123S

(12) **United States Design Patent**
Takahashi et al.

(10) **Patent No.:** **US D697,123 S**
(45) **Date of Patent:** **** Jan. 7, 2014**

- (54) **SURVEILLANCE CAMERA**
- (75) Inventors: **Masami Takahashi**, Kanagawa (JP);
Shinichi Murata, Osaka (JP)
- (73) Assignee: **Panasonic Corporation**, Osaka (JP)
- (**) Term: **14 Years**
- (21) Appl. No.: **29/401,016**
- (22) Filed: **Sep. 6, 2011**
- (51) **LOC (10) Cl.** **16-05**
- (52) **U.S. Cl.**
USPC **D16/219**
- (58) **Field of Classification Search**
USPC D16/219; D11/3, 17, 22, 25, 26, 27, 95,
D11/200, 206, 210, 222, 236, 142, 152, 154,
D11/164; D19/12, 39, 40, 44, 99; D8/18,
D8/38, 39, 40, 356; D25/122; 73/114.57,
73/725, 746; 338/42; 417/269, 571; 92/71;
D7/213, 387, 388, 391.2, 395, 396.2,
D7/538, 540, 542, 601, 602, 637, 900;
D9/435, 443, 444, 448, 454; D21/334,
D21/338, 339-341, 362, 392, 395, 397, 398,
D21/404, 405, 468, 470, 475, 478-480, 519,
D21/522; D26/28, 87, 118, 125, 169
See application file for complete search history.

(56) **References Cited**

U.S. PATENT DOCUMENTS

- D16,160 S * 7/1885 Crane D23/265
- D183,276 S * 7/1958 Colarusso D9/429
- D208,388 S * 8/1967 Graham D23/265
- D273,012 S * 3/1984 Kozloski D16/203
- 4,982,607 A * 1/1991 Betterton et al. 73/725
- D320,563 S * 10/1991 Skrundens D10/1
- D345,527 S * 3/1994 Ito D10/126
- D353,552 S * 12/1994 Kaneko D10/126
- D353,553 S * 12/1994 Ito D10/126

- D456,738 S * 5/2002 Rollins D11/148
- 6,572,343 B2 * 6/2003 Yokomachi et al. 417/269
- D497,928 S 11/2004 Cheng-Yuan
- D513,793 S * 1/2006 Copeland et al. D23/262
- D514,150 S * 1/2006 Muto et al. D16/203
- D515,607 S * 2/2006 Cheng D16/203
- D528,144 S 9/2006 Takemasa
- D542,320 S 5/2007 Cheng
- D550,738 S 9/2007 Hsia
- D554,169 S 10/2007 Peng et al.
- D554,171 S 10/2007 Deng
- D558,250 S 12/2007 Hsia
- D559,616 S * 1/2008 Kaposi D7/391
- D564,597 S * 3/2008 Moody et al. D21/308
- D576,193 S 9/2008 Su et al.
- D578,560 S 10/2008 Hsia
- D578,561 S * 10/2008 Dumanogullari D16/203
- D583,265 S * 12/2008 Kraus D10/68
- D585,926 S 2/2009 Su et al.
- D620,086 S * 7/2010 Copeland et al. D23/266

(Continued)

Primary Examiner — Philip S Hyder

Assistant Examiner — Darlington Ly

(74) *Attorney, Agent, or Firm* — Brinks Gilson & Lione

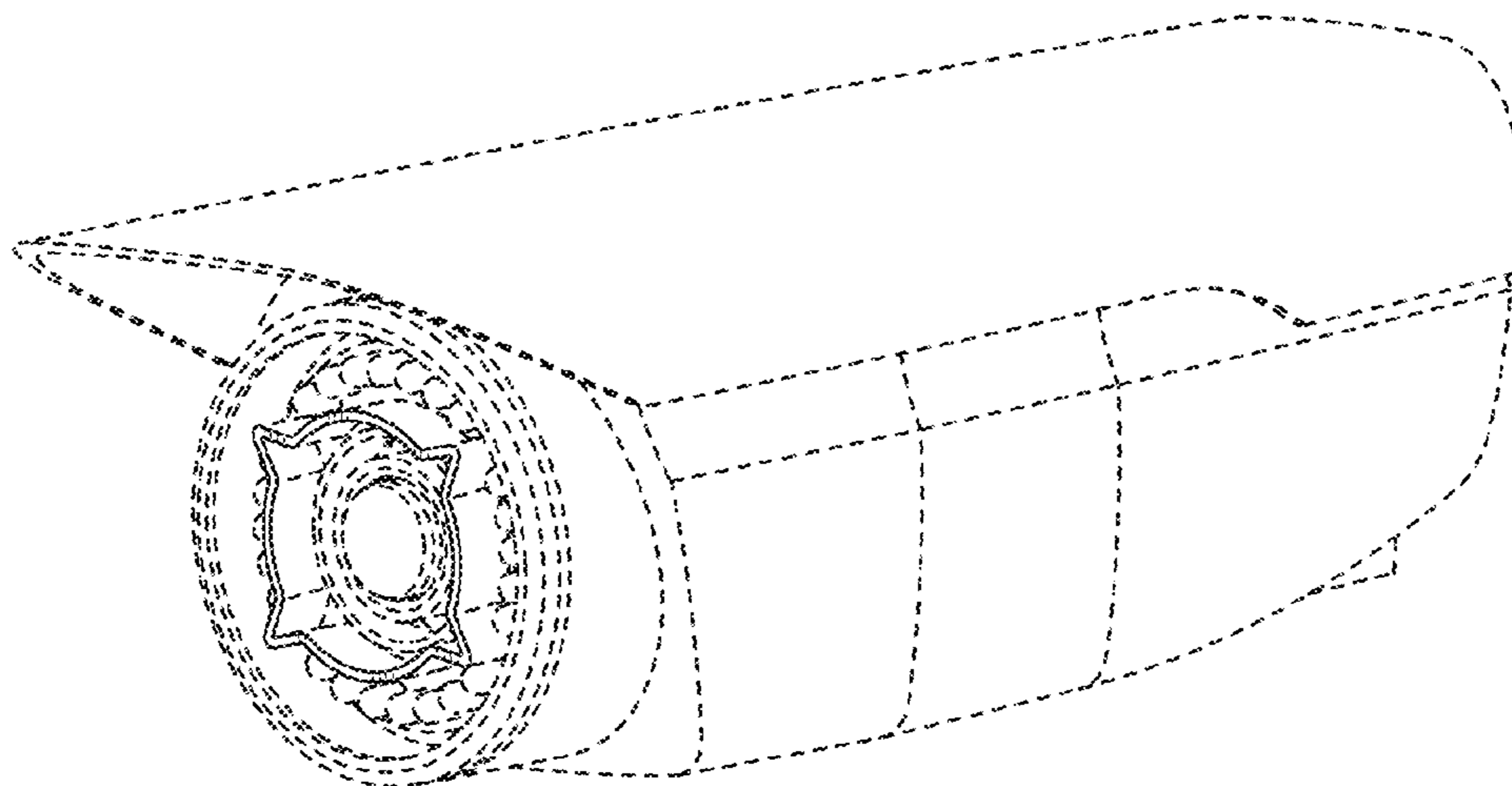
(57) **CLAIM**

We claim the ornamental design for a surveillance camera, as shown and described.

DESCRIPTION

FIG. 1 is a top perspective view of a surveillance camera of the present invention;
 FIG. 2 is a front view thereof;
 FIG. 3 is a rear view thereof;
 FIG. 4 is a top view thereof;
 FIG. 5 is a bottom view thereof;
 FIG. 6 is a first side view thereof; and,
 FIG. 7 is a second side view thereof.
 The broken lines shown represent unclaimed subject matter and form no part of the claimed design.

1 Claim, 6 Drawing Sheets



US D697,123 S

Page 2

(56)

References Cited

U.S. PATENT DOCUMENTS

D634,347 S 3/2011 Park
D634,768 S 3/2011 Ko
D635,172 S 3/2011 Ko
D637,640 S 5/2011 Park

D638,459 S 5/2011 Park
D661,719 S * 6/2012 Katori et al. D16/203
D665,498 S * 8/2012 Tamura et al. D24/130
D676,595 S * 2/2013 Giacomazzi et al. D26/118
D686,091 S * 7/2013 Al Hashash D10/10

* cited by examiner

FIG. 1

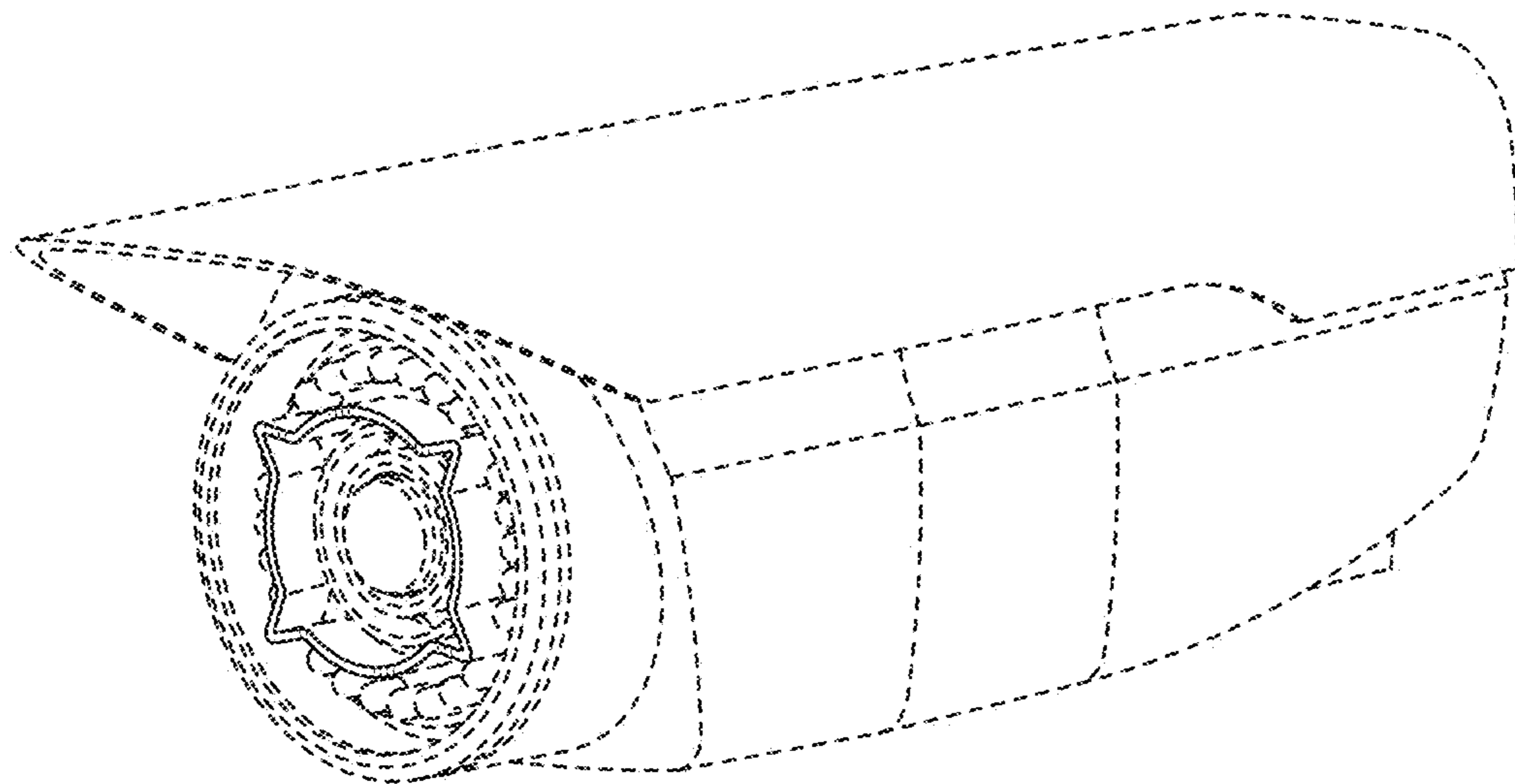


FIG.2

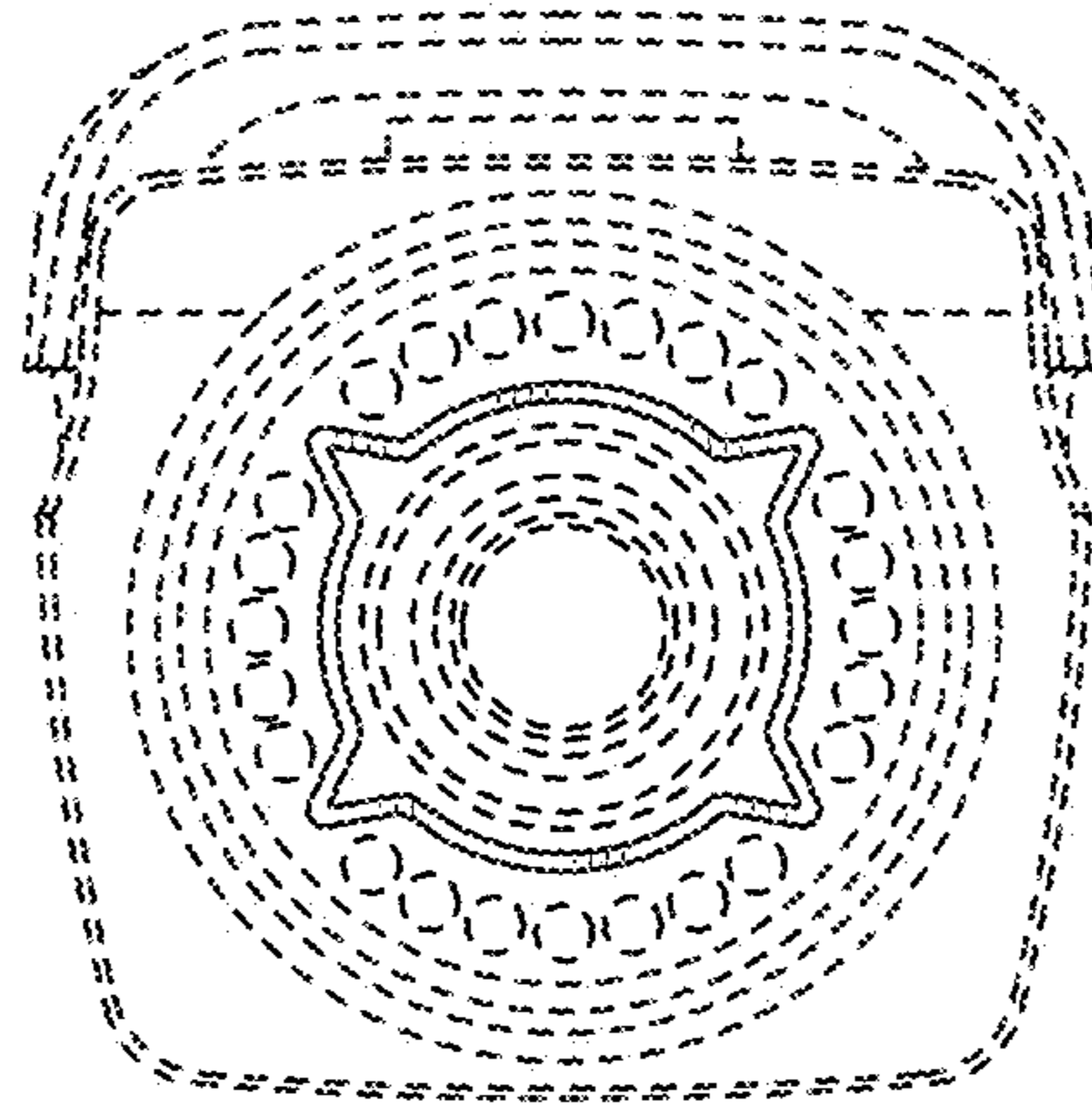


FIG.3

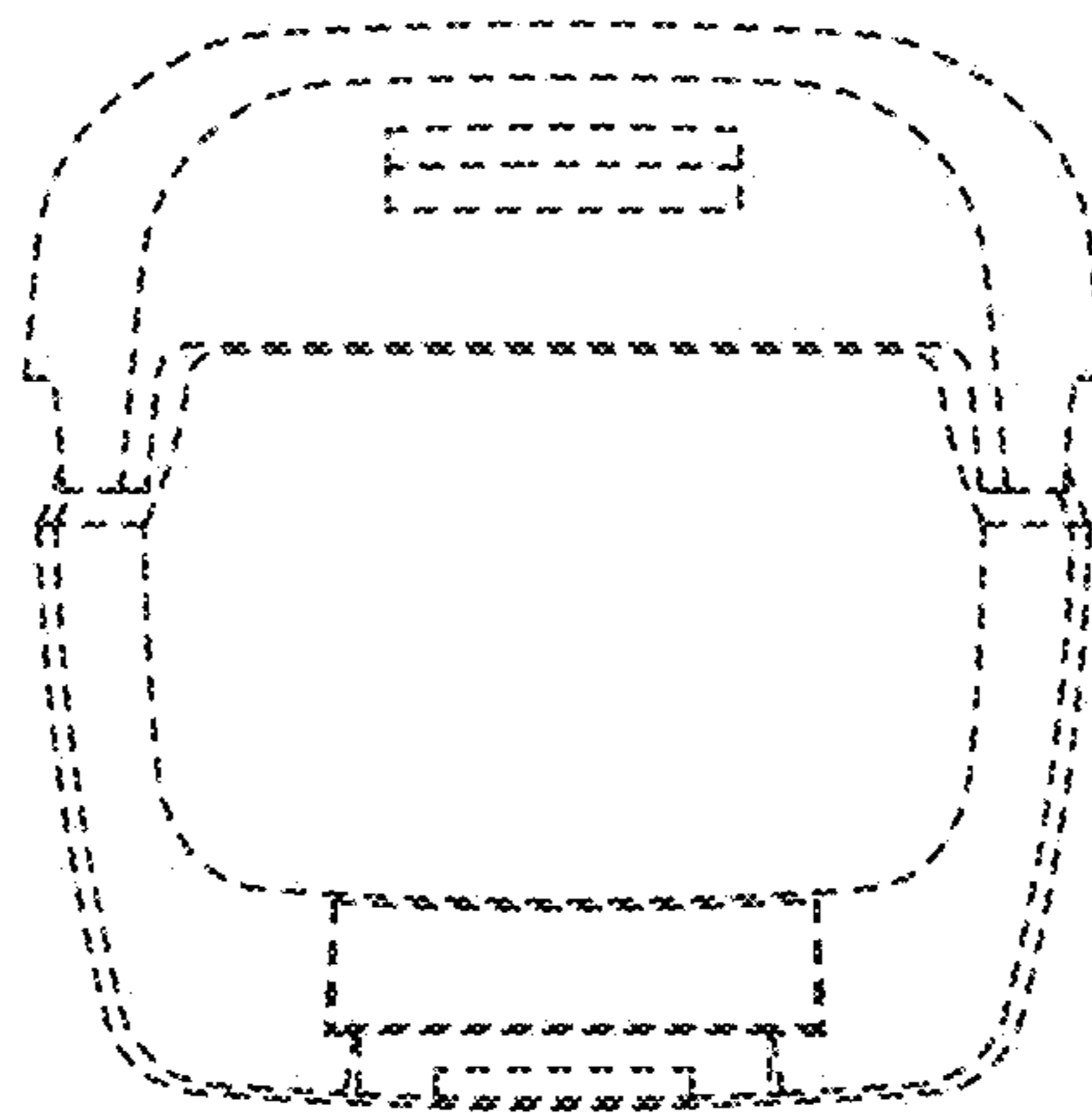


FIG.4

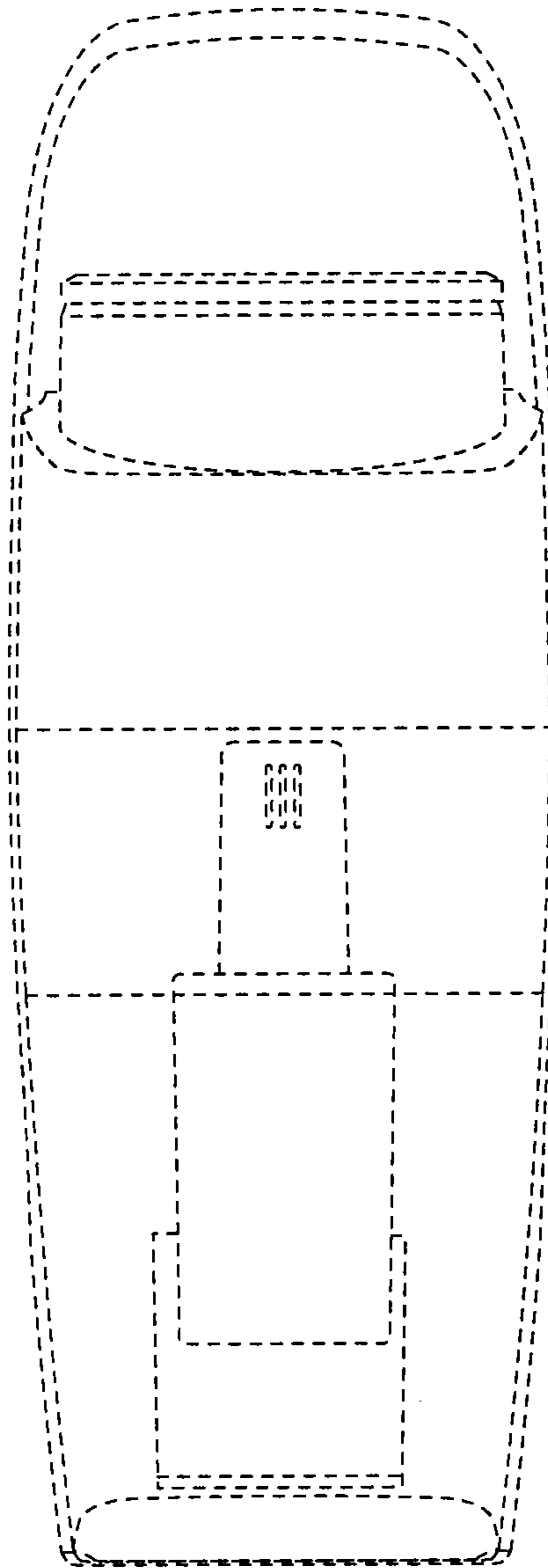


FIG.5

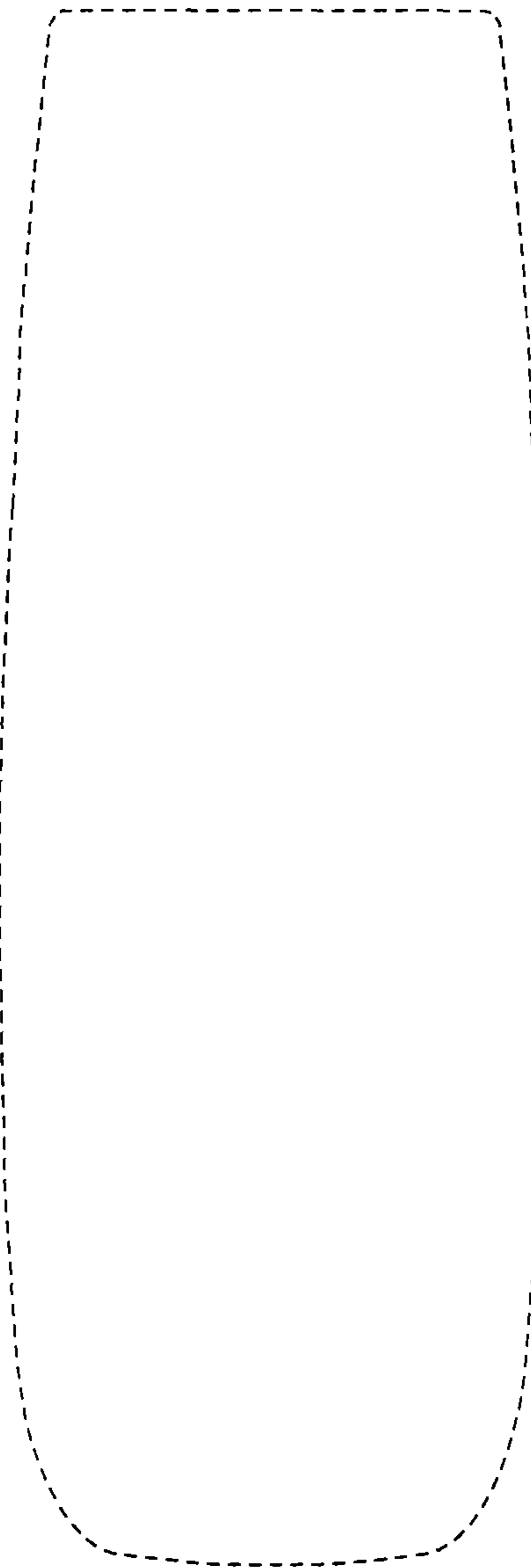


FIG.6

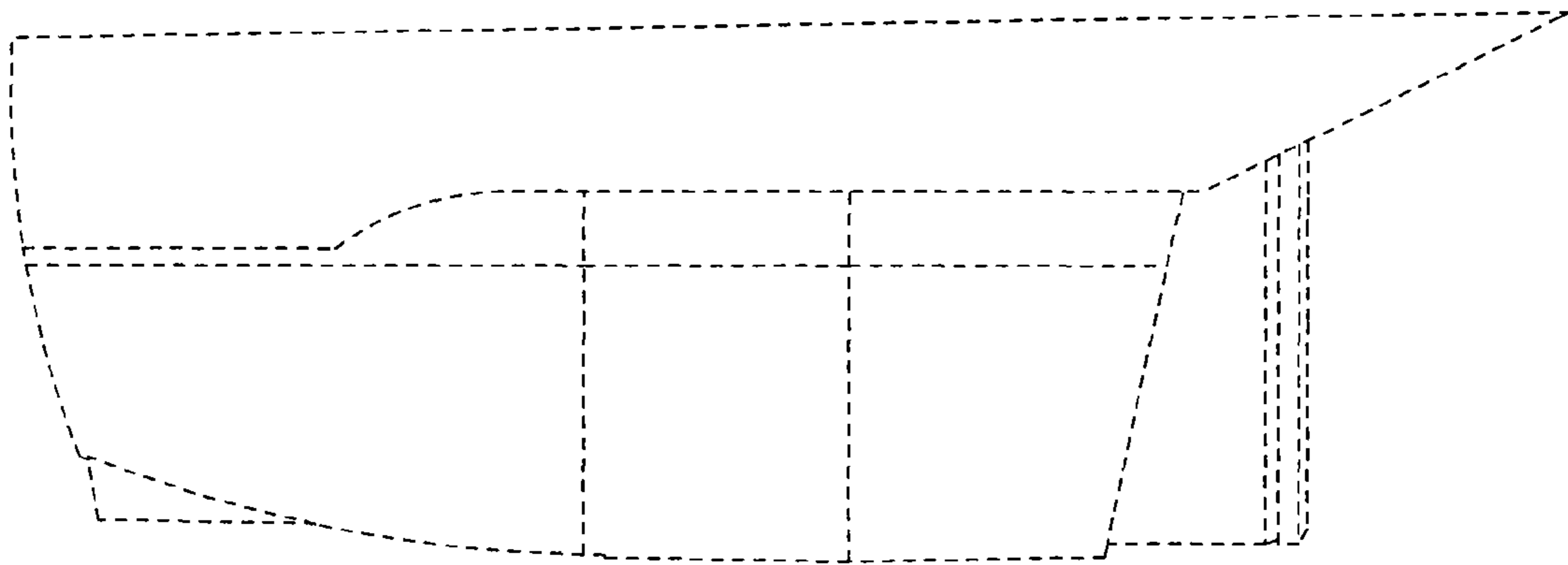


FIG.7

