



US00D697122S

(12) **United States Design Patent**
Ikegame

(10) **Patent No.:** **US D697,122 S**
(45) **Date of Patent:** **** Jan. 7, 2014**

(54) **INSTANT CAMERA**

(71) Applicant: **FUJIFILM Corporation**, Tokyo (JP)

(72) Inventor: **Haruka Ikegame**, Minato-ku (JP)

(73) Assignee: **FUJIFILM Corporation**, Tokyo (JP)

(**) Term: **14 Years**

(21) Appl. No.: **29/434,125**

(22) Filed: **Oct. 10, 2012**

(30) **Foreign Application Priority Data**

Apr. 12, 2012 (JP) 2012-008624

(51) **LOC (10) Cl.** **16-01**

(52) **U.S. Cl.**
USPC **D16/218**

(58) **Field of Classification Search**
USPC D16/200, 202, 203, 204, 218; 348/427,
348/373; 396/6, 30, 535, 540, 541
See application file for complete search history.

(56) **References Cited**

U.S. PATENT DOCUMENTS

D447,504 S * 9/2001 Horikiri D16/218
D457,543 S * 5/2002 Petravic et al. D16/200

D463,472 S * 9/2002 Horikiri D16/218
D472,258 S * 3/2003 Yin et al. D16/202
D473,251 S * 4/2003 Katayama D16/218
D484,523 S * 12/2003 Senda D16/218
6,712,531 B2 * 3/2004 Takagi et al. 396/349
6,847,783 B2 * 1/2005 Sasaki et al. 396/30
D594,047 S * 6/2009 Lee D16/202

* cited by examiner

Primary Examiner — Adir Aronovich

(74) *Attorney, Agent, or Firm* — Sughrue Mion, PLLC

(57) **CLAIM**

The ornamental design for an instant camera, as shown and described.

DESCRIPTION

FIG. 1 is a top, front and right side perspective view of an instant camera showing my new design;
FIG. 2 is a top, rear and left side perspective view thereof.
FIG. 3 is a front elevational view thereof;
FIG. 4 is a rear elevational view thereof;
FIG. 5 is a top plan view thereof;
FIG. 6 is a bottom plan view thereof;
FIG. 7 is a right side elevational view thereof;
FIG. 8 is a left side elevational view thereof; and,
FIG. 9 is a top, front and side perspective view thereof with a lens barrel protruded.

1 Claim, 8 Drawing Sheets

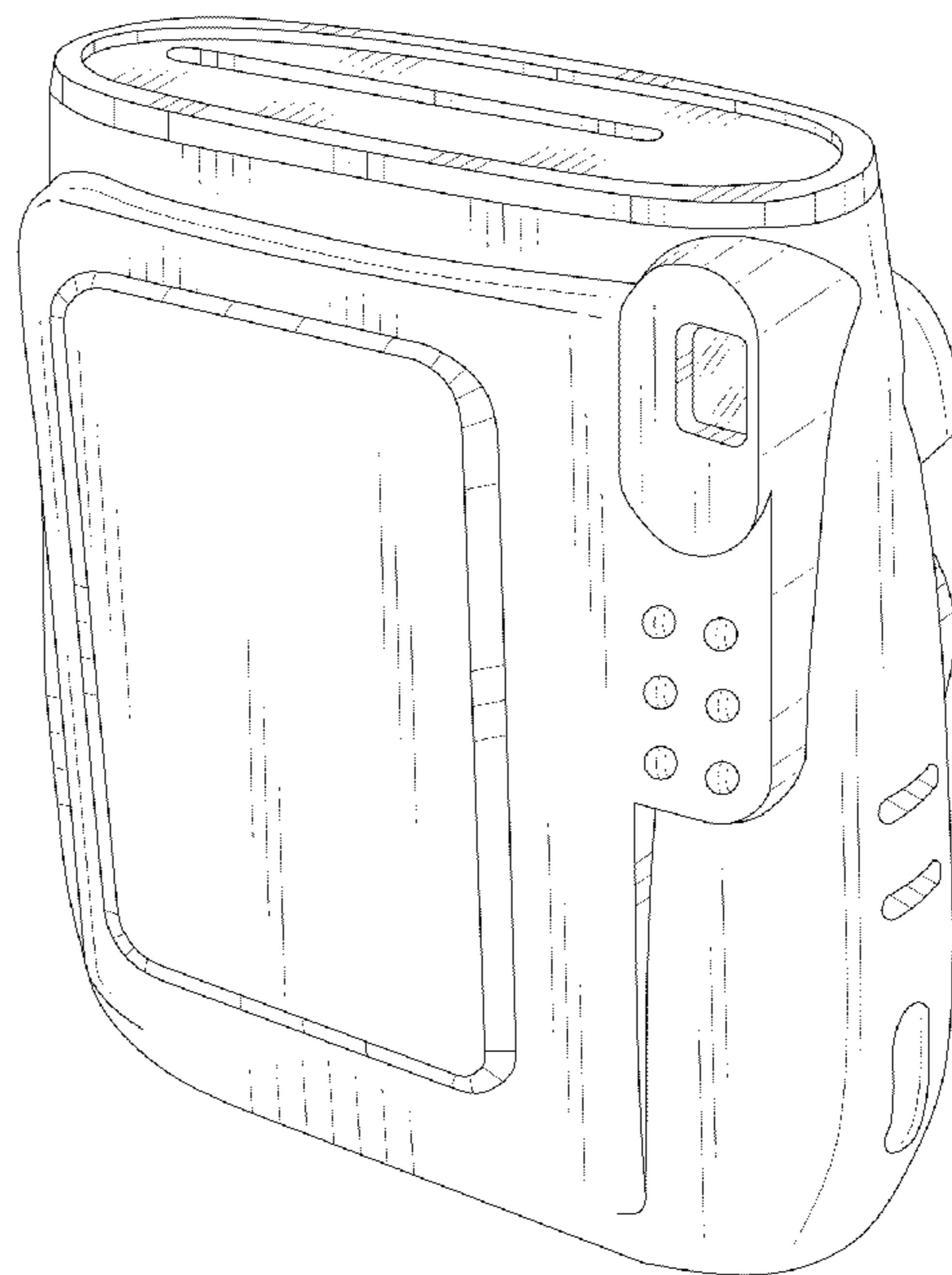
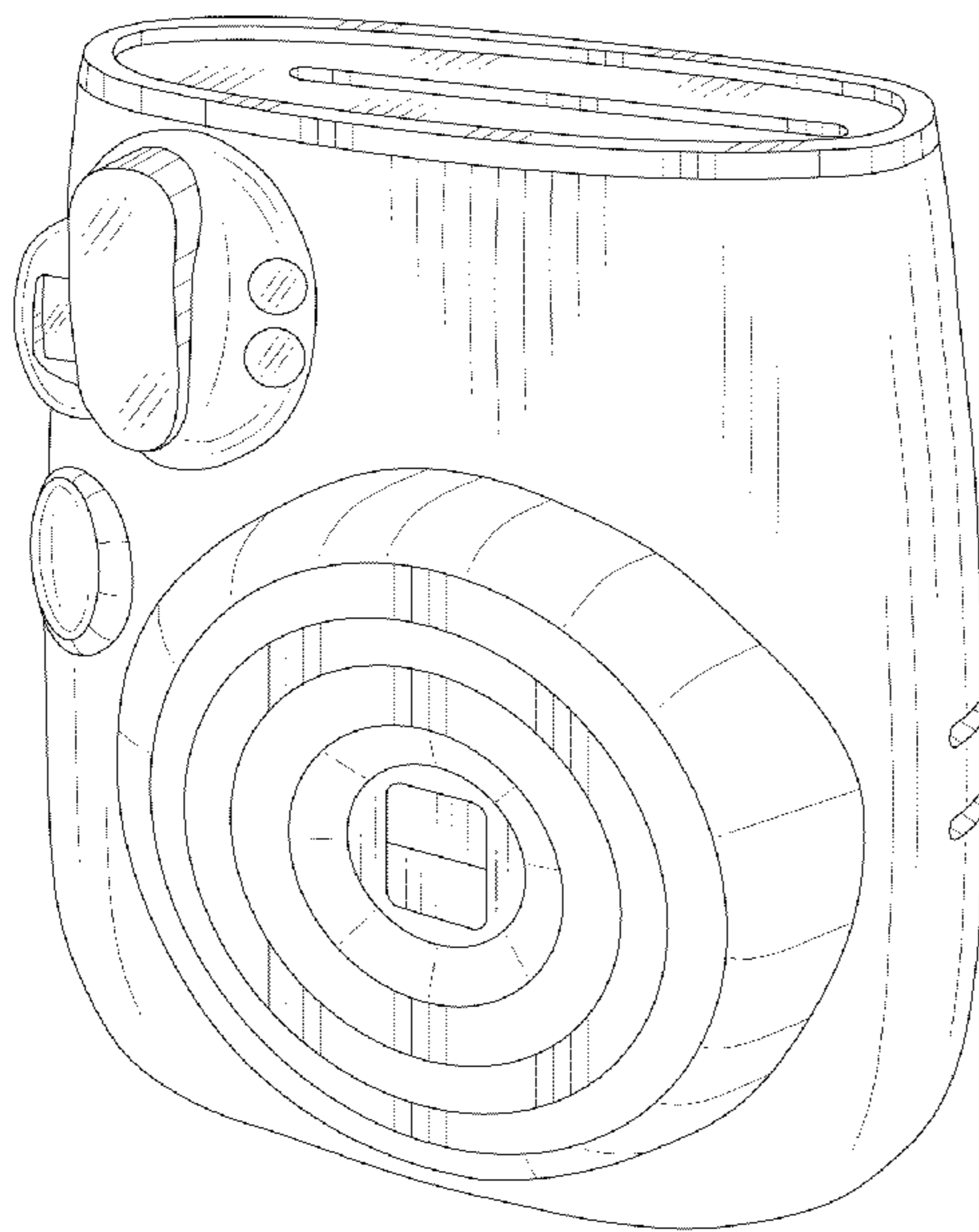


FIG. 1

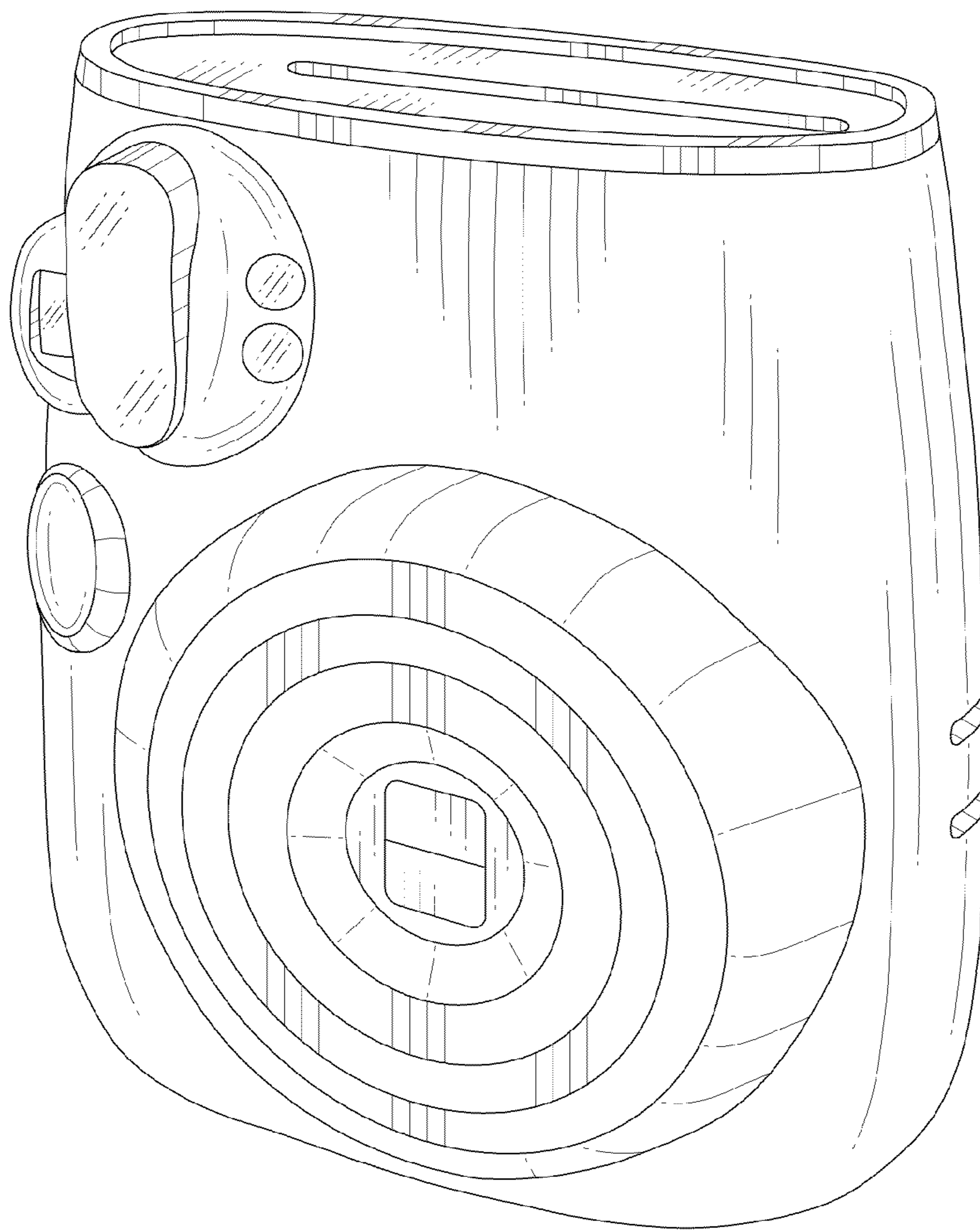


FIG.2

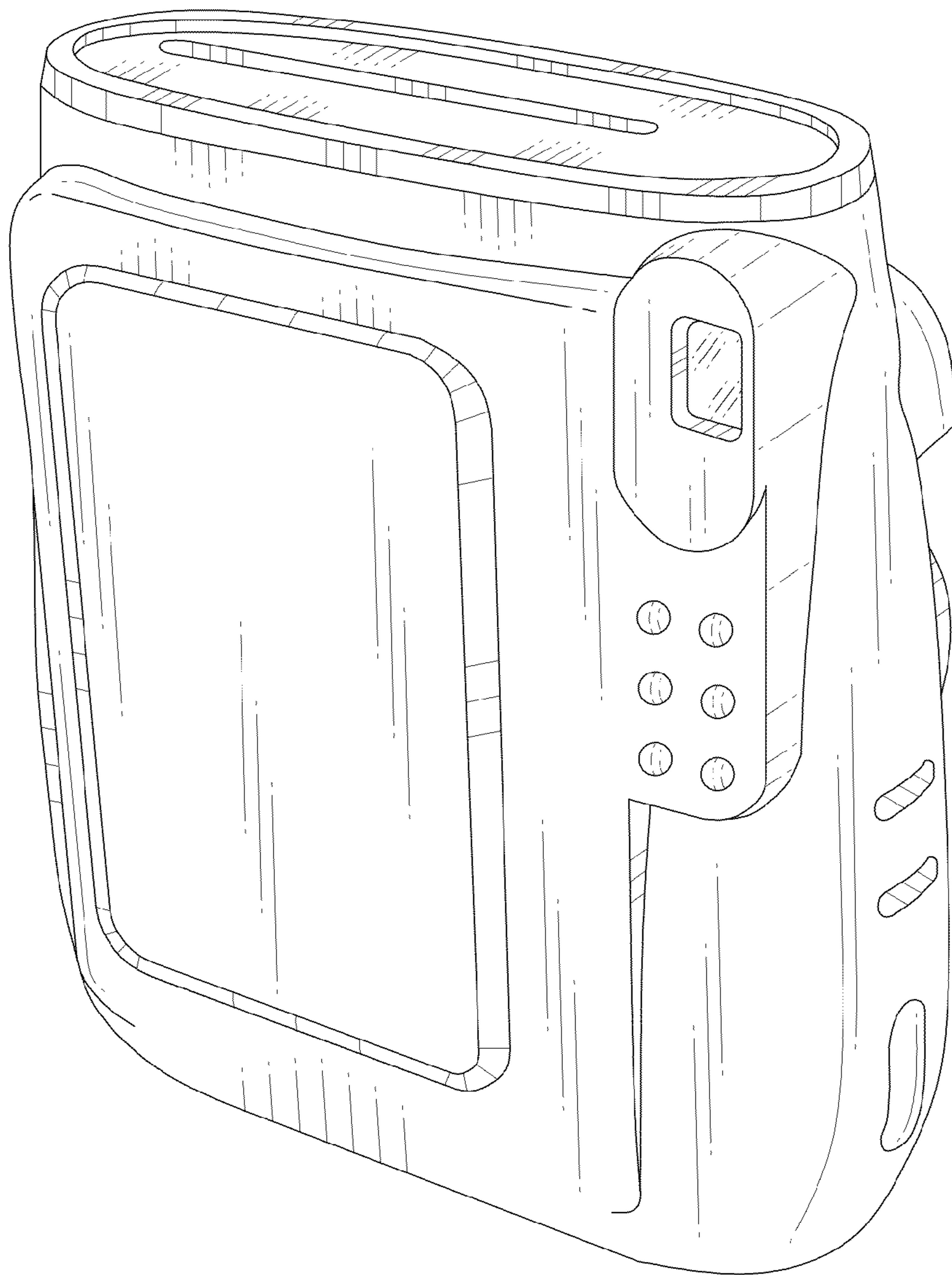


FIG.3

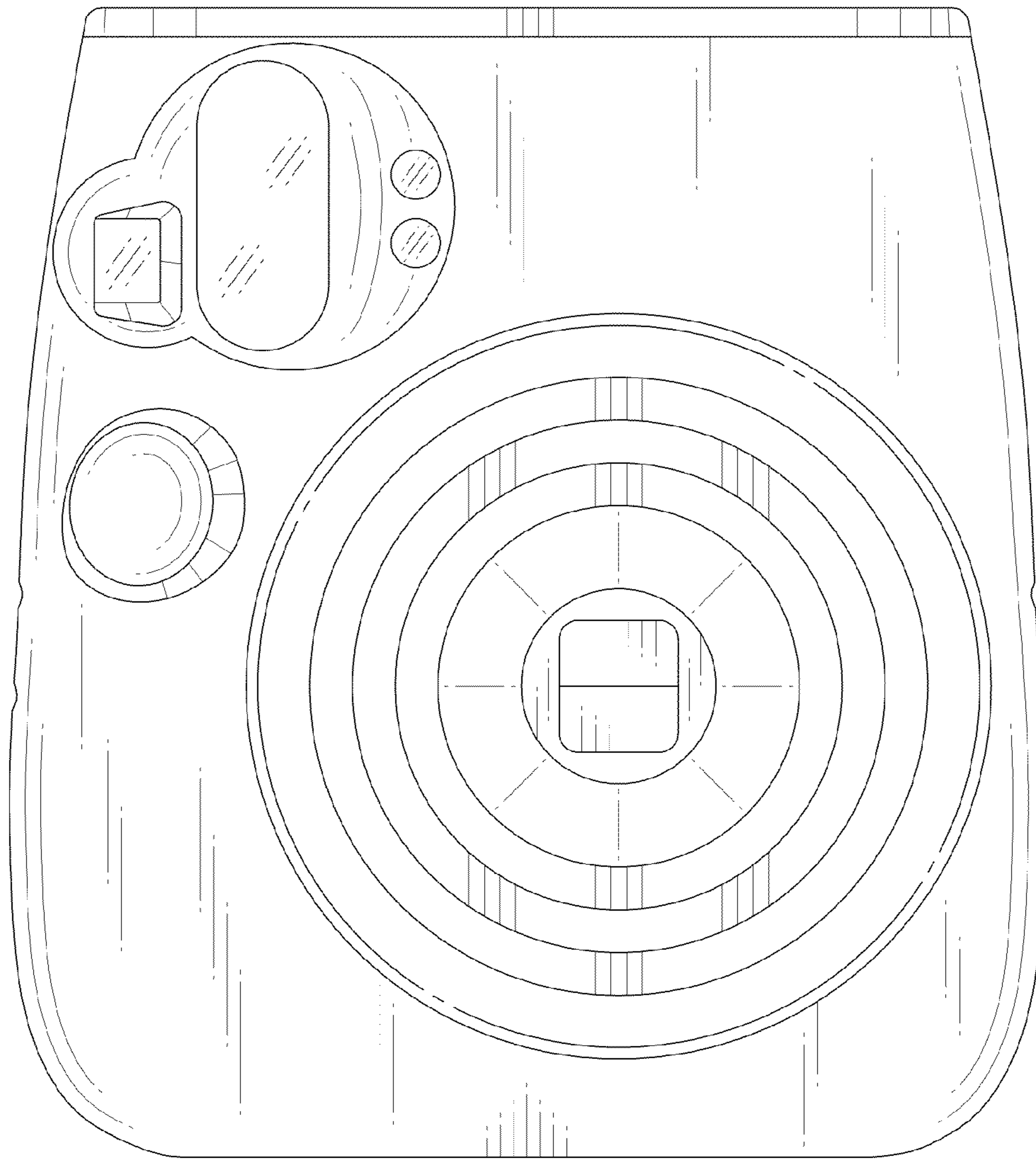


FIG.4

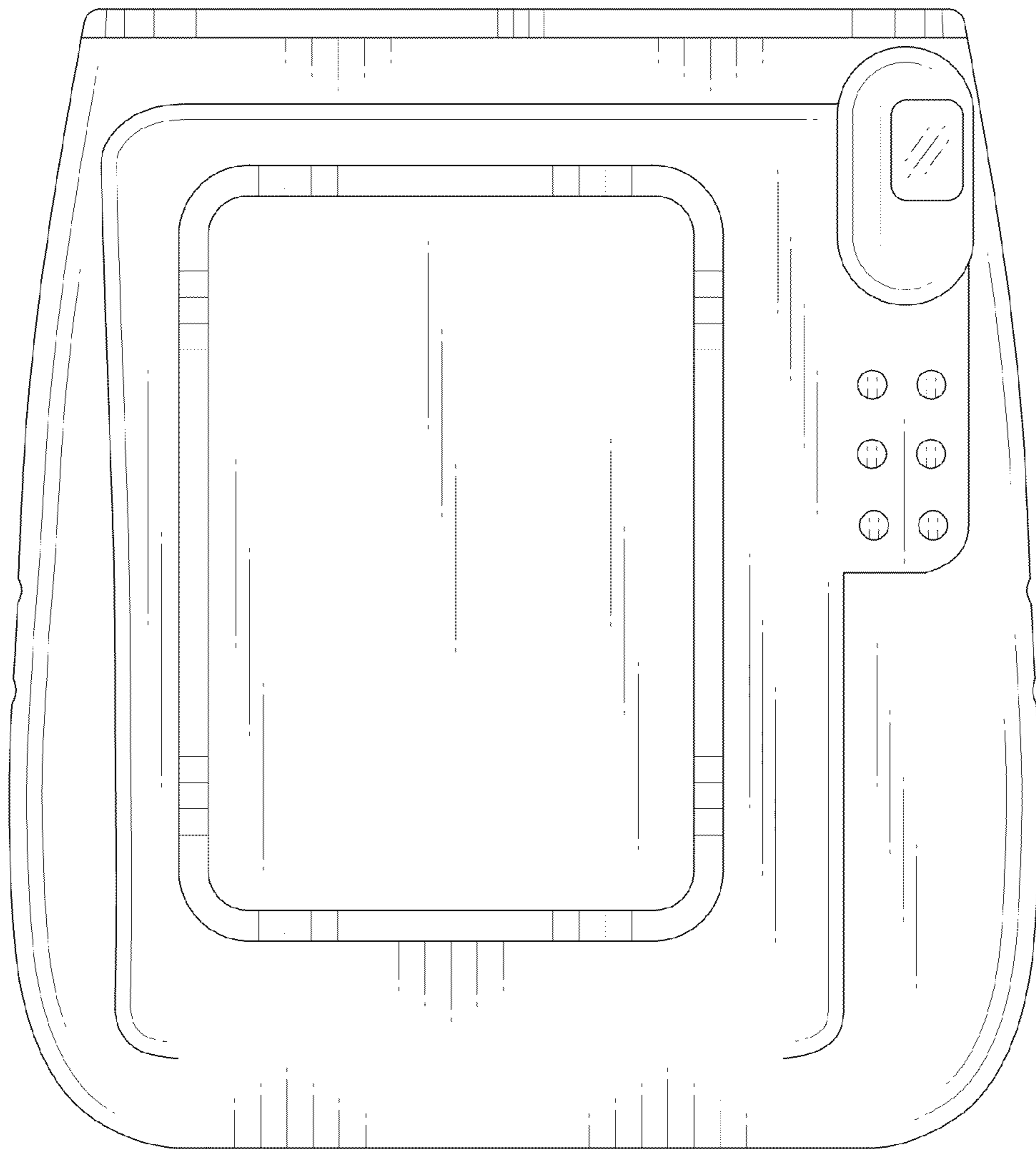


FIG.5

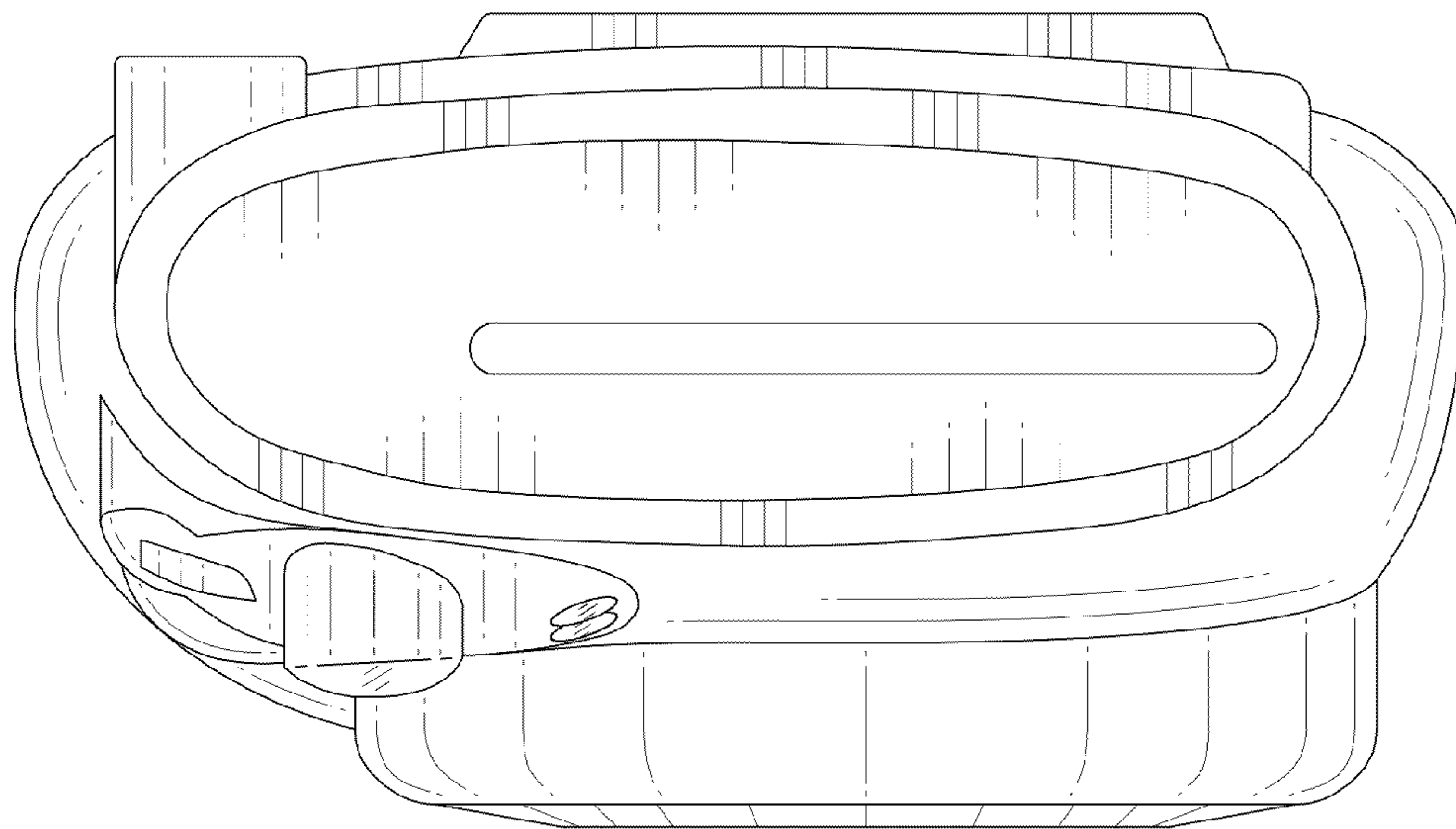


FIG.6

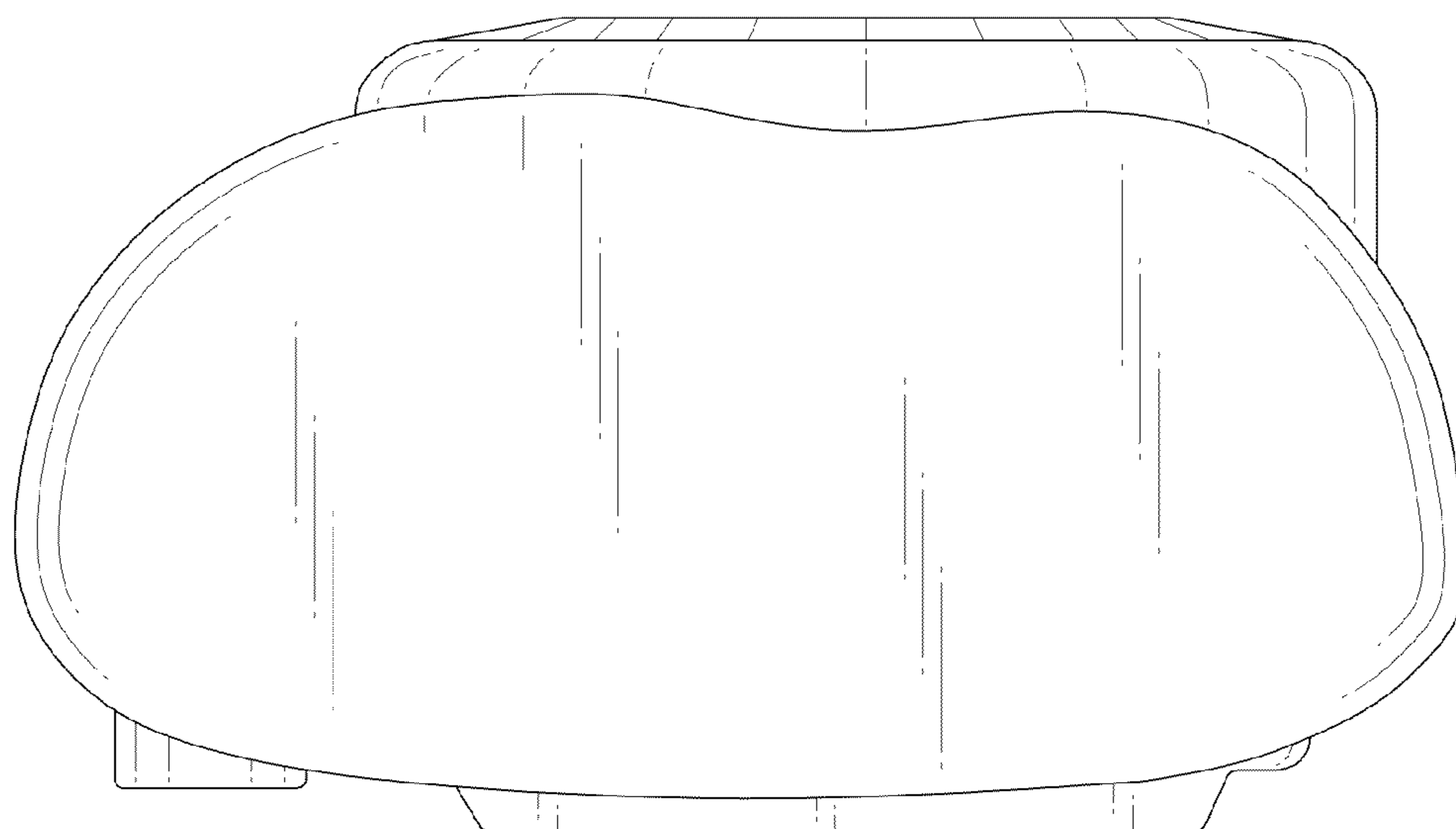


FIG. 7

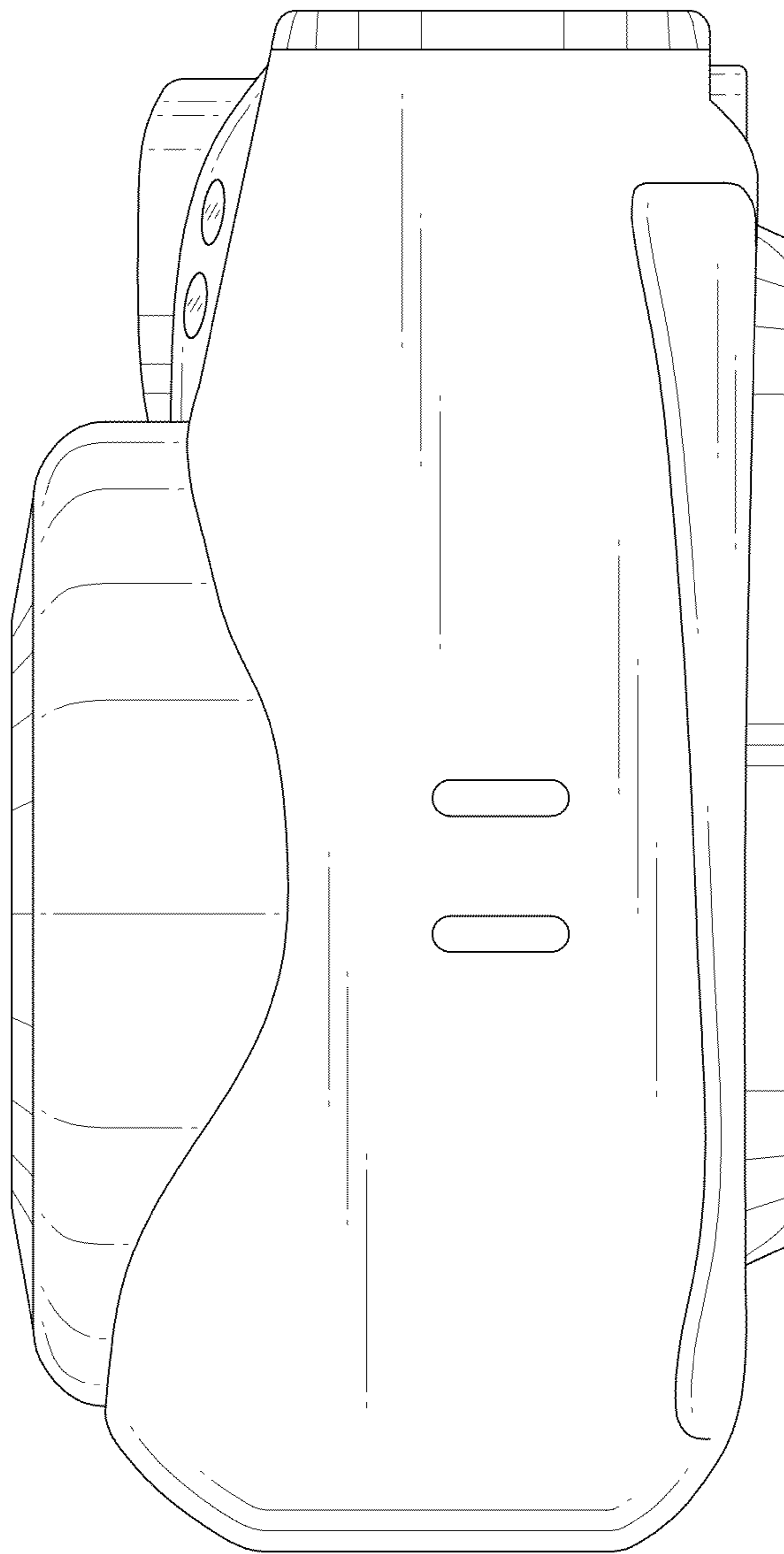


FIG.8

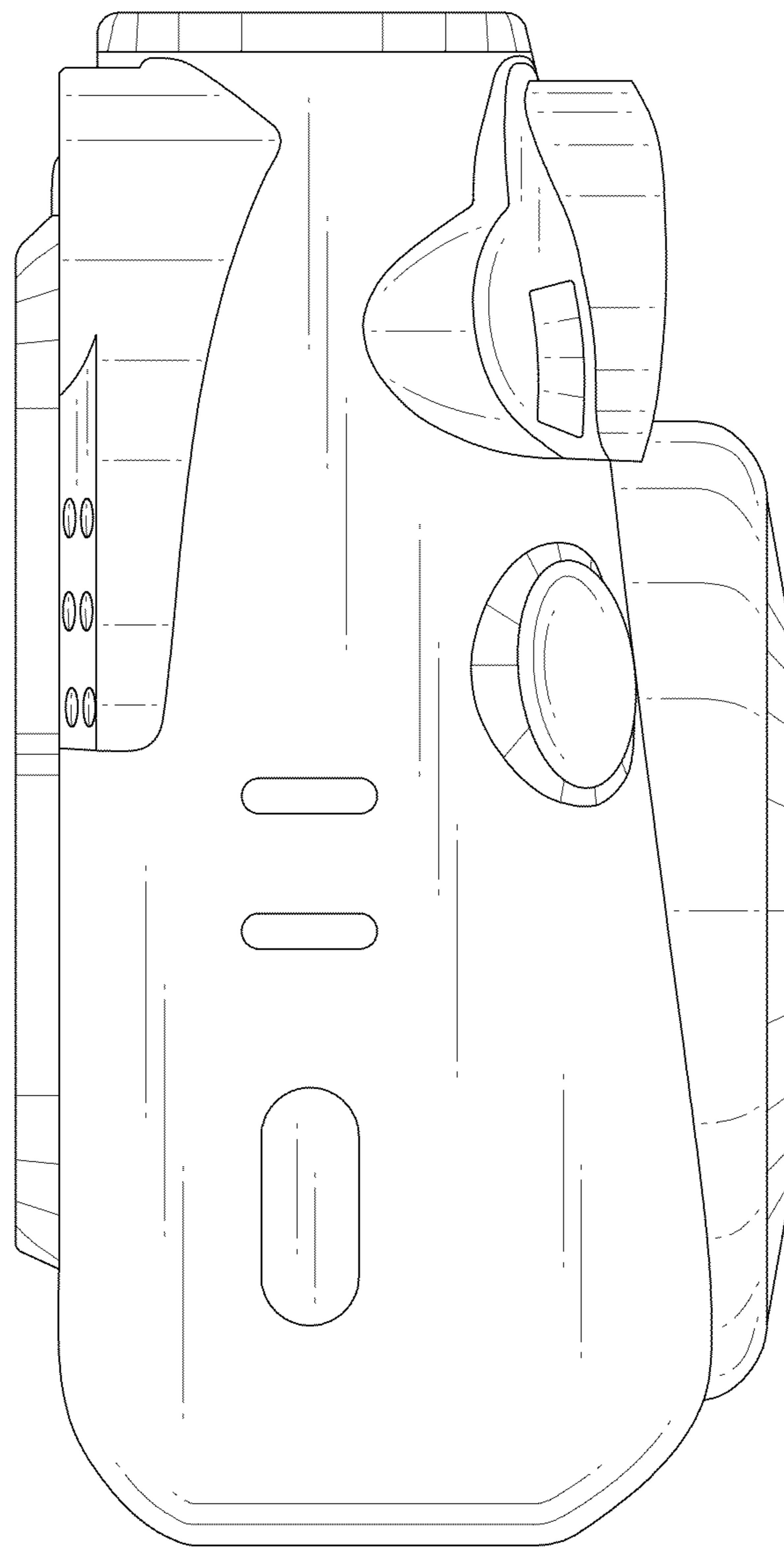


FIG.9

