



US00D697120S

(12) **United States Design Patent**  
**Akita**

(10) **Patent No.:** **US D697,120 S**  
(45) **Date of Patent:** **\*\* Jan. 7, 2014**

(54) **CAMERA**

(75) Inventor: **Miho Akita**, Tokyo (JP)

(73) Assignee: **Sony Corporation**, Tokyo (JP)

(\*\*) Term: **14 Years**

(21) Appl. No.: **29/421,290**

(22) Filed: **Jun. 27, 2012**

(30) **Foreign Application Priority Data**

Dec. 28, 2011 (JP) ..... D2011-030598  
Dec. 28, 2011 (JP) ..... D2011-030599  
Dec. 28, 2011 (JP) ..... D2011-030600  
Dec. 28, 2011 (JP) ..... D2011-030601

(51) **LOC (10) Cl.** ..... **16-01**

(52) **U.S. Cl.**  
USPC ..... **D16/212**

(58) **Field of Classification Search**  
USPC ..... D16/200, 202, 204, 208, 212, 218, 219;  
348/373-376; 358/909.1; 396/349,  
396/448, 535-541; D11/1, 2, 26, 79, 86;  
D23/207, 209, 262, 266, 269, 351, 354,  
D23/365, 370-373, 385-395, 397, 399-403,  
D23/421; D15/144, 144.1, 144.2; D9/435,  
D9/446, 449, 454, 456  
See application file for complete search history.

(56) **References Cited**

**U.S. PATENT DOCUMENTS**

D235,800 S \* 7/1975 Van Excel ..... D16/132  
D484,165 S \* 12/2003 Ogura ..... D16/219  
D496,379 S \* 9/2004 Do ..... D16/134  
D519,539 S 4/2006 Takagi  
D536,720 S \* 2/2007 Miyashita ..... D16/218  
D536,721 S \* 2/2007 Miyashita ..... D16/219  
D542,322 S \* 5/2007 Miyashita ..... D16/218  
D542,323 S \* 5/2007 Takagi ..... D16/218

D544,513 S 6/2007 Hayashi  
D545,336 S \* 6/2007 Kawase ..... D16/219  
D548,255 S \* 8/2007 Naito ..... D16/202  
D570,391 S 6/2008 Hibi

(Continued)

**FOREIGN PATENT DOCUMENTS**

JP D1371302 S 10/2009  
JP D1413469 S 5/2011

**OTHER PUBLICATIONS**

Daniel Bell. Sony CyberShot DSC-J10 Digital Camera Review. www.ephotozine.com. Jun. 21, 2011 [online], [retrieved on Aug. 7, 2013]. Retrieved from the Internet <URL: http://www.ephotozine.com/article/sony-cybershot-dsc-j10-digital-camera-review-16616>.\*

(Continued)

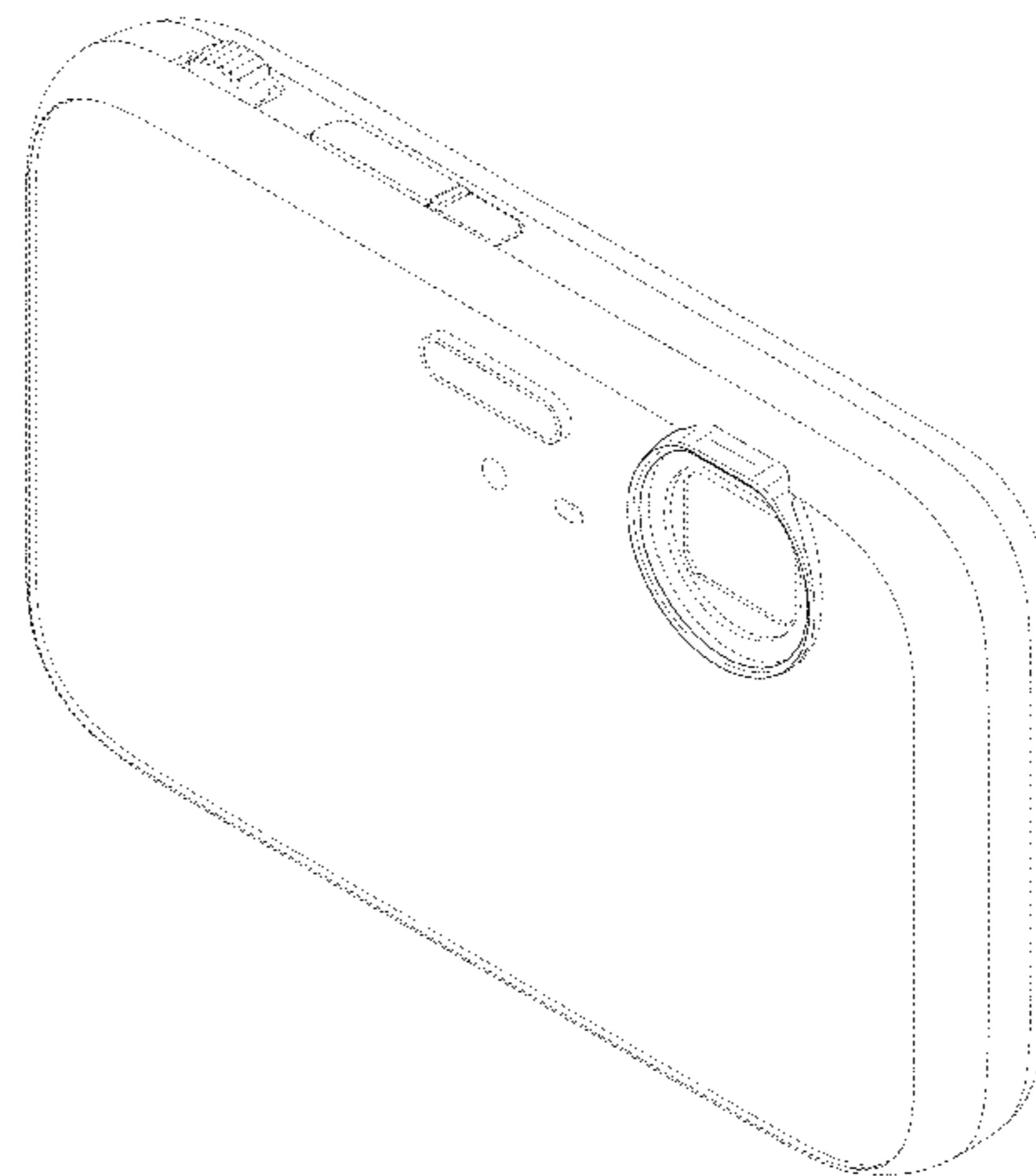
*Primary Examiner* — Philip S Hyder  
*Assistant Examiner* — Darlington Ly  
(74) *Attorney, Agent, or Firm* — Rader, Fishman & Grauer PLLC

(57) **CLAIM**  
The ornamental design for a camera, as shown and described.

**DESCRIPTION**

FIG. 1 is a perspective view of a camera showing my new design;  
FIG. 2 is a front elevational view thereof;  
FIG. 3 is a left side elevational view thereof;  
FIG. 4 is a right side elevational view thereof;  
FIG. 5 is a top plan view thereof; and,  
FIG. 6 is a bottom plan view thereof.  
The broken lines shown in the drawings illustrate portions of the camera that form no part of the claimed design. Dot-dash broken lines define the boundaries of, but not included in, the claimed design.

**1 Claim, 6 Drawing Sheets**



(56)

**References Cited**

U.S. PATENT DOCUMENTS

D570,889 S \* 6/2008 Nakajima ..... D16/202  
 D574,029 S \* 7/2008 Yamagishi ..... D16/218  
 D586,620 S \* 2/2009 Sands ..... D7/507  
 D588,178 S \* 3/2009 Sakai ..... D16/212  
 D589,073 S \* 3/2009 Hibi ..... D16/218  
 7,507,041 B2 \* 3/2009 Ueda et al. .... 396/423  
 D595,835 S \* 7/2009 Fu ..... D23/411  
 D602,968 S \* 10/2009 Sato ..... D16/212  
 D607,480 S \* 1/2010 Nakajima ..... D16/212  
 D608,812 S \* 1/2010 Tainaka ..... D16/212  
 D629,033 S \* 12/2010 Morisawa et al. .... D16/219  
 D648,427 S \* 11/2011 Bowman et al. .... D23/269  
 D648,765 S \* 11/2011 Tsukamoto ..... D16/202  
 D665,491 S \* 8/2012 Goel et al. .... D23/386  
 D669,960 S \* 10/2012 Blume et al. .... D23/209  
 D670,807 S \* 11/2012 Fuerst ..... D24/143  
 D677,295 S \* 3/2013 Fujita et al. .... D16/202

8,400,562 B2 \* 3/2013 Kaneko ..... 348/374  
 D681,176 S \* 4/2013 Chacko ..... D23/269  
 D686,101 S \* 7/2013 Dailey ..... D11/26  
 2002/0114085 A1 \* 8/2002 Hattori et al. .... 359/811  
 2002/0167741 A1 \* 11/2002 Koiwai et al. .... 359/819  
 2010/0188516 A1 \* 7/2010 Kaneko et al. .... 348/208.4  
 2012/0268632 A1 \* 10/2012 Kamon et al. .... 348/294

OTHER PUBLICATIONS

Sony Cyber Shot DSC-T50 Review (black). Reviews Cnet. Sep. 26, 2006 [online], [retrieved on Aug. 7, 2013]. Retrieved from the Internet <URL: [http://reviews.cnet.com/digital-cameras/sony-cyber-shot-dsc/4505-6501\\_7-32058899.html](http://reviews.cnet.com/digital-cameras/sony-cyber-shot-dsc/4505-6501_7-32058899.html)>.\*

Mike Tomkins. Sony Cyber-shot DSC-TF1 Preview. Imaging Resource. Jan. 9, 2013 [online], [retrieved on Aug. 7, 2013]. Retrieved from the Internet <URL: <http://www.imaging-resource.com/PRODS/sony-tf1/sony-tf1A.HTM#>>.\*

\* cited by examiner

FIG.1

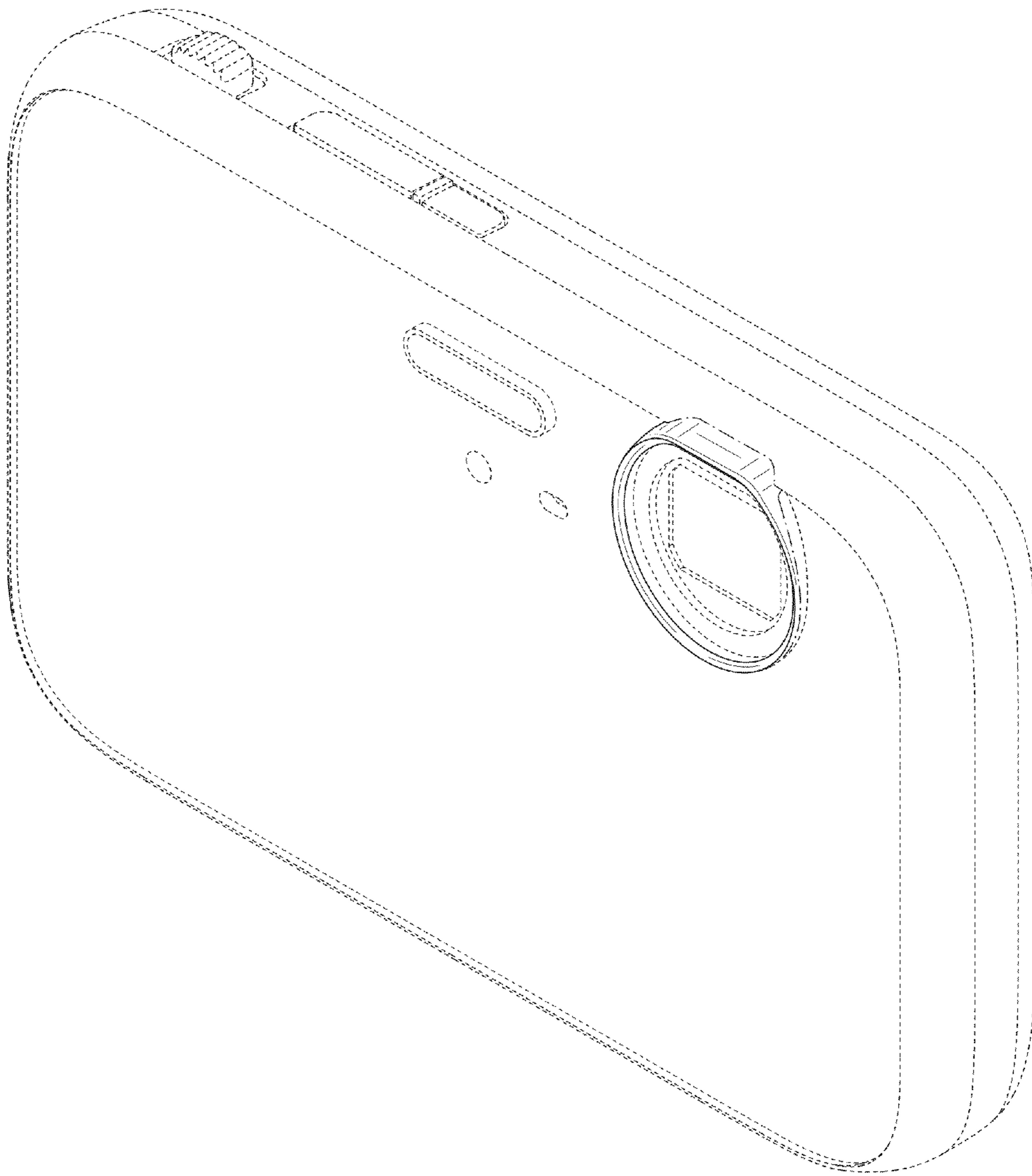


FIG.2

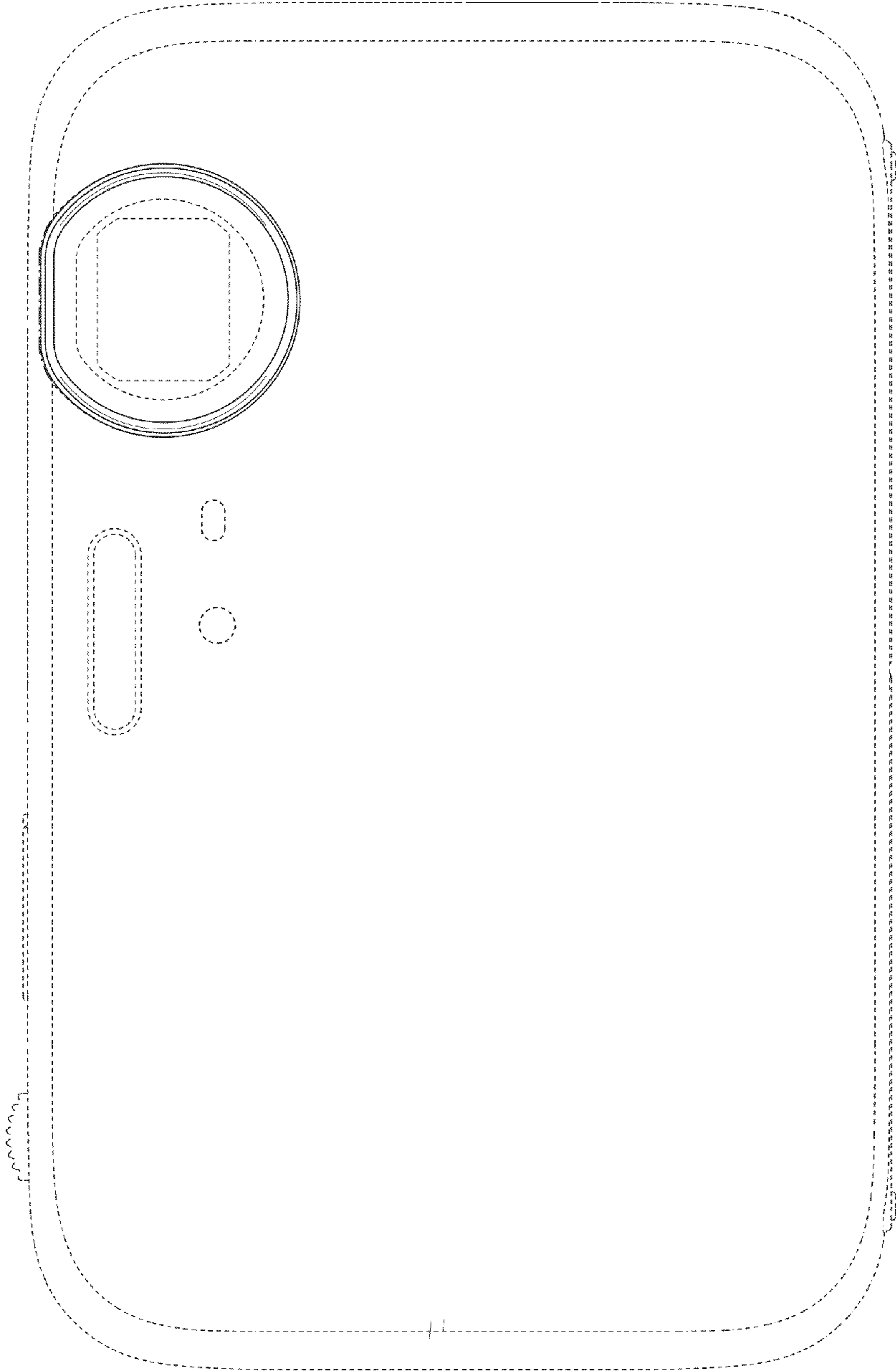


FIG.3

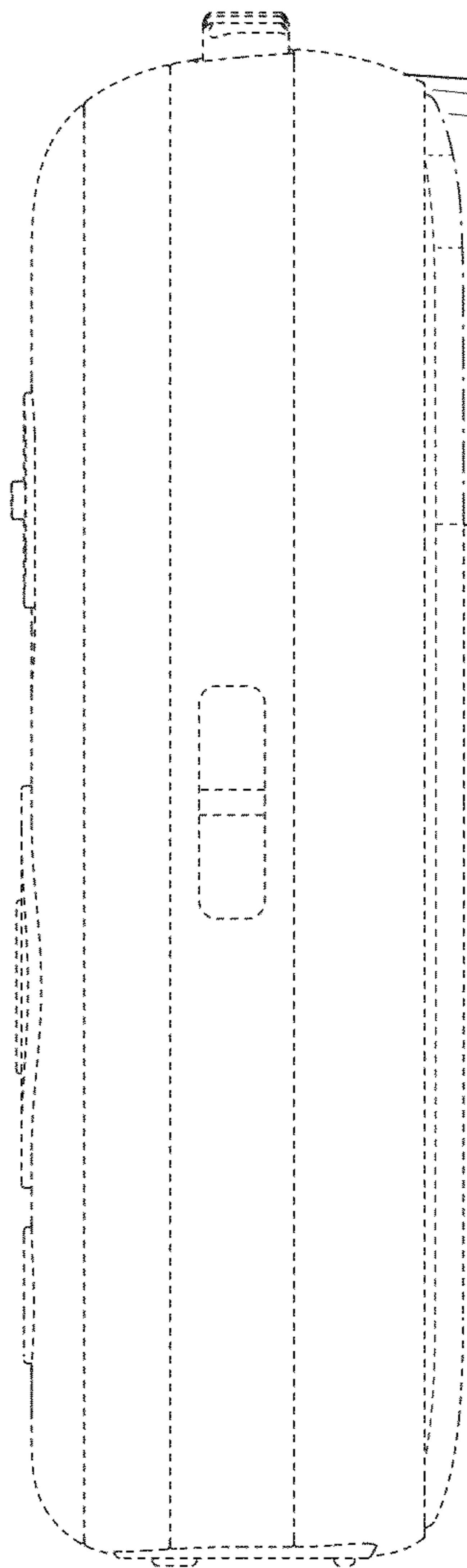


FIG.4

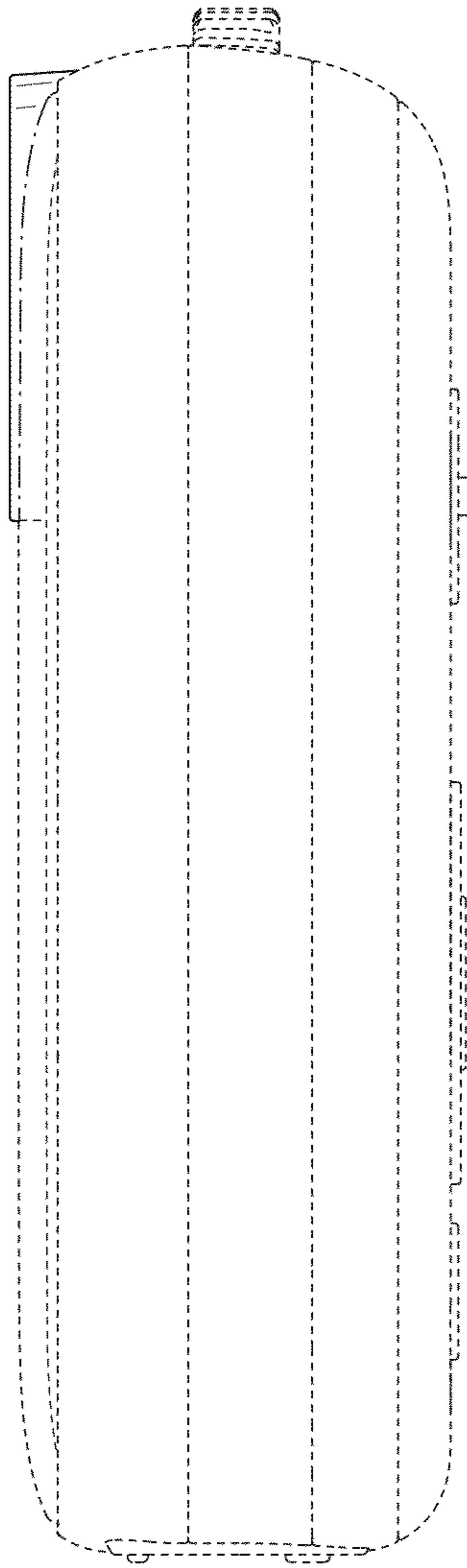




FIG.5

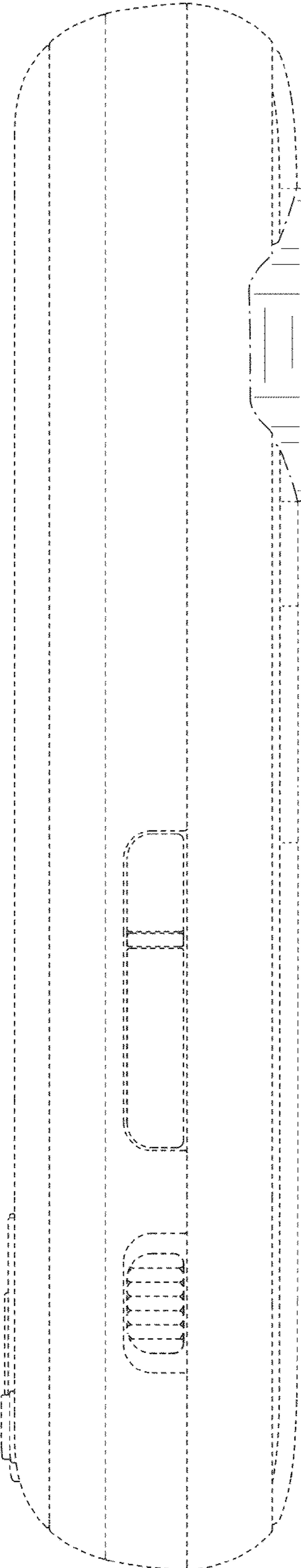


FIG.6

