

US00D697119S

(12) **United States Design Patent**
Park et al.

(10) **Patent No.:** **US D697,119 S**
(45) **Date of Patent:** **** Jan. 7, 2014**

(54) **MONITORING CAMERA**

(71) Applicant: **Samsung Techwin Co., Ltd.**, Changwon (KR)

(72) Inventors: **Mun-Jun Park**, Changwon (KR);
Jong-Joon Baik, Changwon (KR)

(73) Assignee: **Samsung Techwin Co., Ltd.**, Changwon (KR)

(**) Term: **14 Years**

(21) Appl. No.: **29/433,328**

(22) Filed: **Sep. 28, 2012**

(30) **Foreign Application Priority Data**

Jun. 22, 2012 (KR) 30-2012-0030602

(51) **LOC (10) Cl.** **16-01**

(52) **U.S. Cl.**

USPC **D16/203; D16/202**

(58) **Field of Classification Search**

USPC D16/200, 202, 203, 208, 218, 242;
348/143, 373-376; 396/419, 427,
396/535-541

See application file for complete search history.

(56) **References Cited**

U.S. PATENT DOCUMENTS

D396,869 S *	8/1998	Yamakawa et al.	D16/202
6,705,774 B2 *	3/2004	Tashiro et al.	396/427
D505,146 S *	5/2005	Ou	D16/202
D585,925 S *	2/2009	Kuo	D16/202
D609,727 S	2/2010	Adolfsson et al.	
D610,178 S	2/2010	Adolfsson et al.	
7,736,071 B2 *	6/2010	Wahl et al.	348/373
D649,573 S *	11/2011	Al	D16/203
D651,633 S *	1/2012	Park et al.	D16/203
D659,733 S *	5/2012	Chen	D16/202
D680,151 S *	4/2013	Katori	D16/242

* cited by examiner

Primary Examiner — Adir Aronovich

(74) *Attorney, Agent, or Firm* — Sughrue Mion, PLLC

(57) **CLAIM**

The ornamental design for a monitoring camera, as shown and described.

DESCRIPTION

FIG. 1 is a top, front and right side perspective view of a monitoring camera showing my new design;
FIG. 2 is a front elevational view thereof;
FIG. 3 is a rear elevational view thereof;
FIG. 4 is a left side elevational view thereof;
FIG. 5 is a right side elevational view thereof;
FIG. 6 is a top plan view thereof;
FIG. 7 is a bottom plan view thereof; and,
FIG. 8 is a top, rear and right side perspective view thereof.

1 Claim, 8 Drawing Sheets

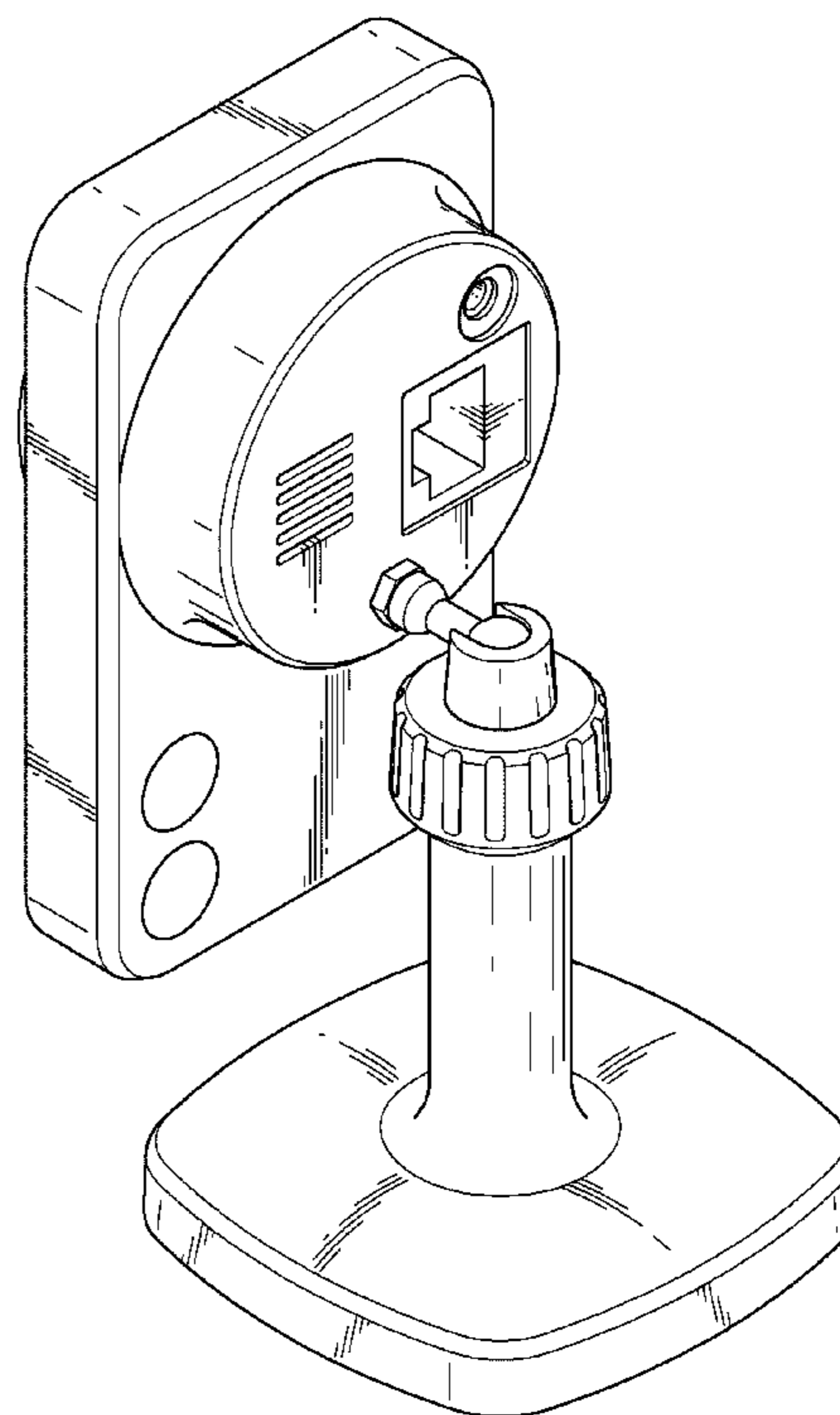
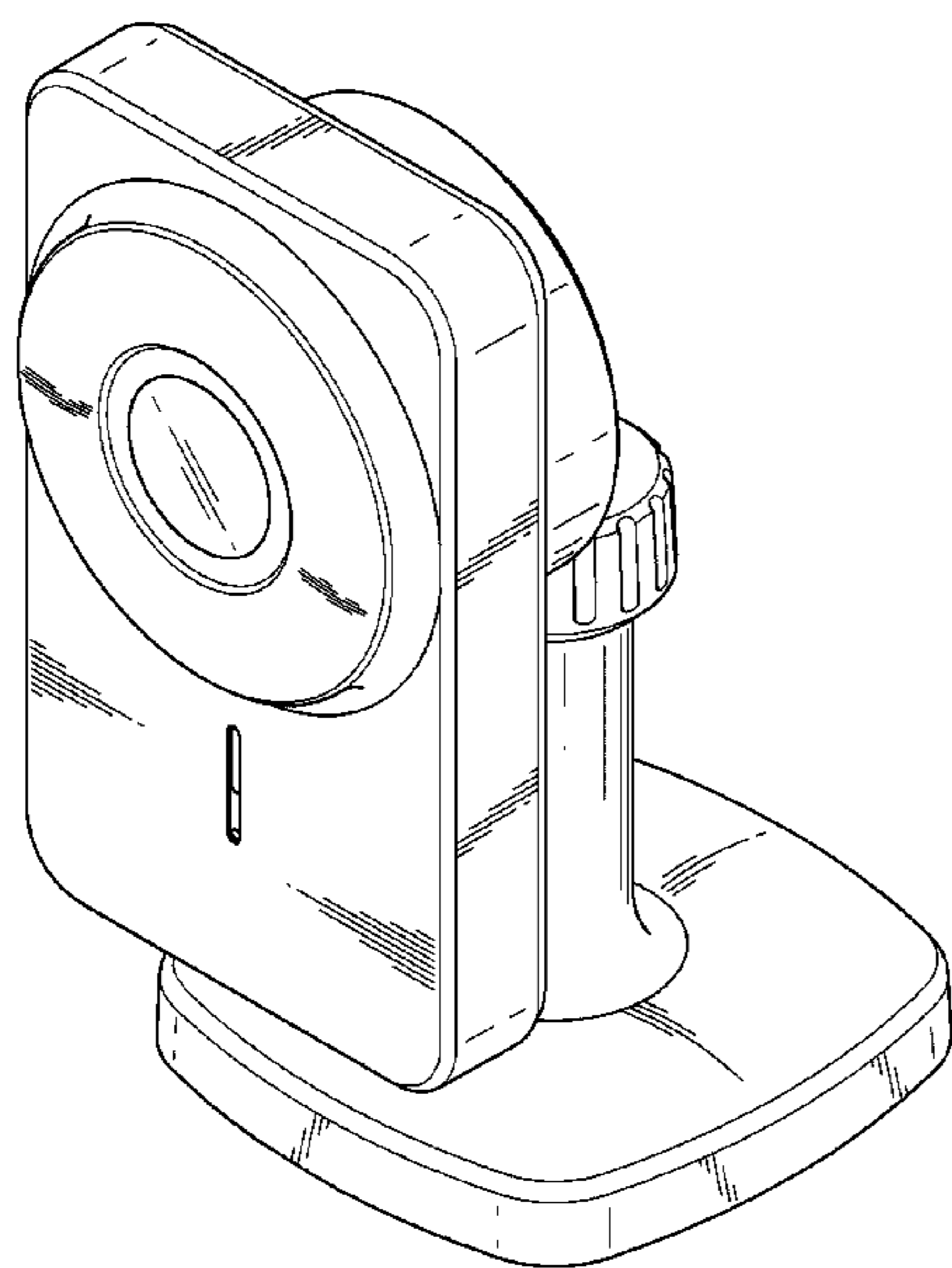


FIG. 1

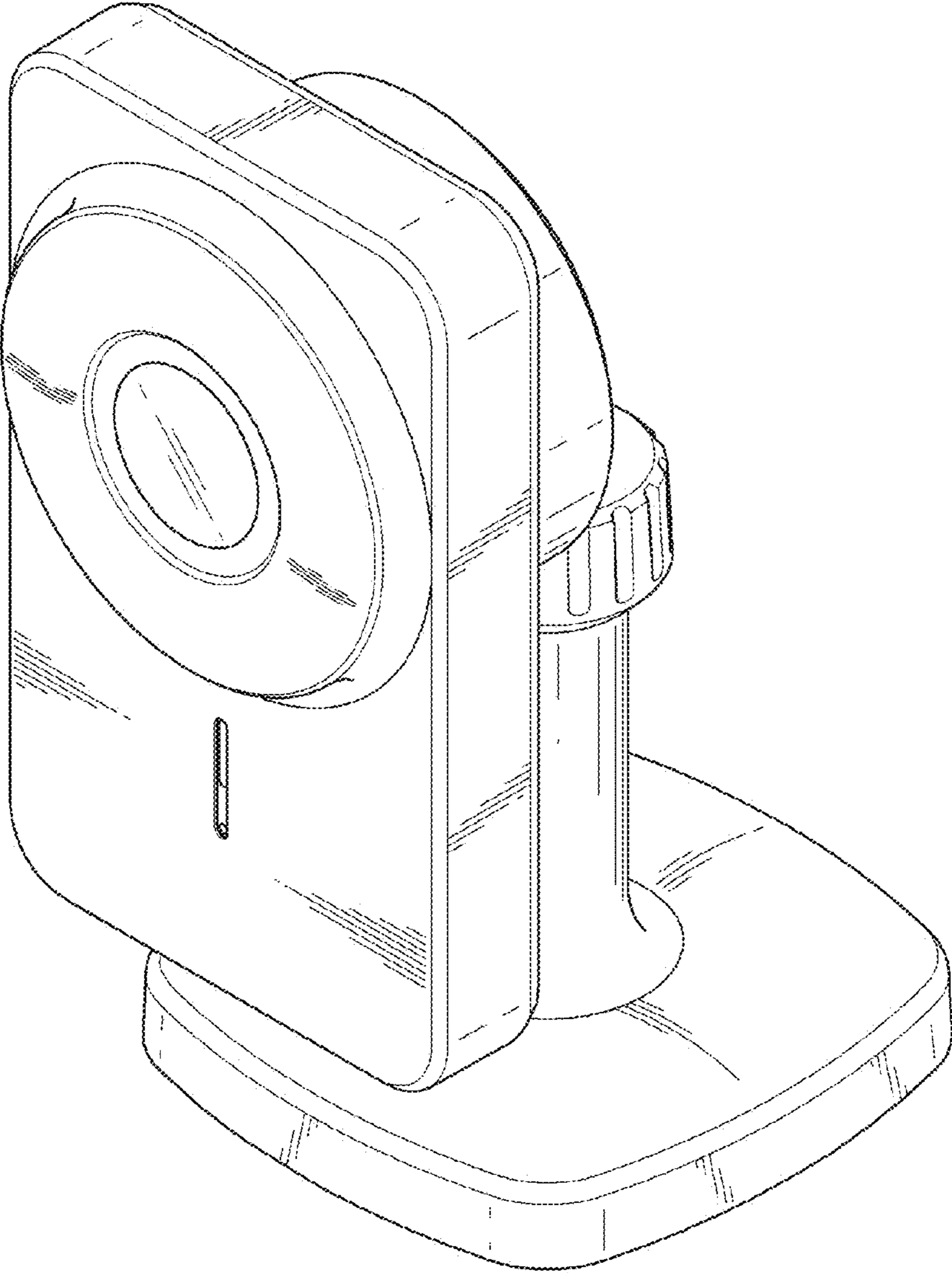


FIG. 2

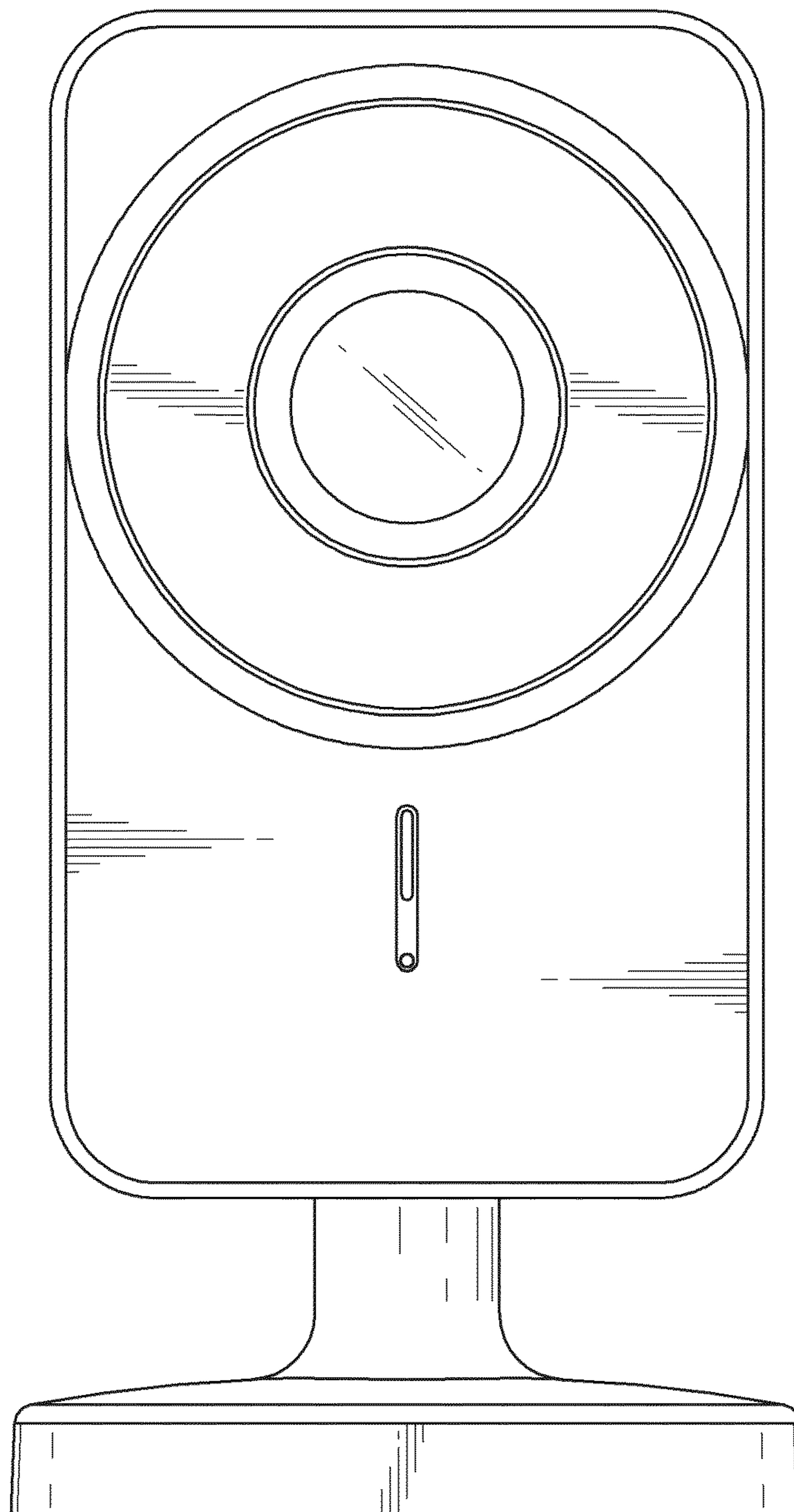


FIG. 3

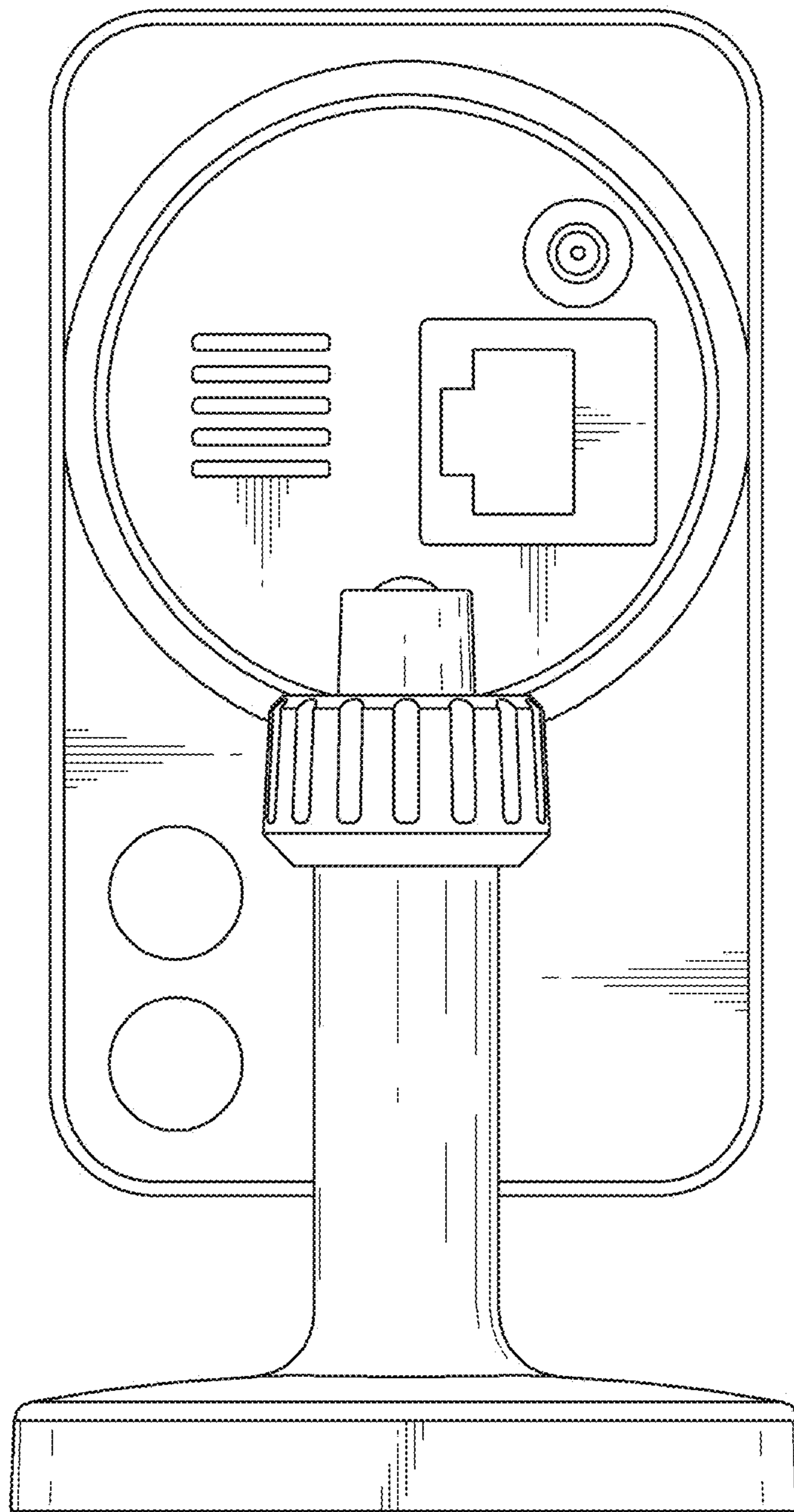


FIG. 4

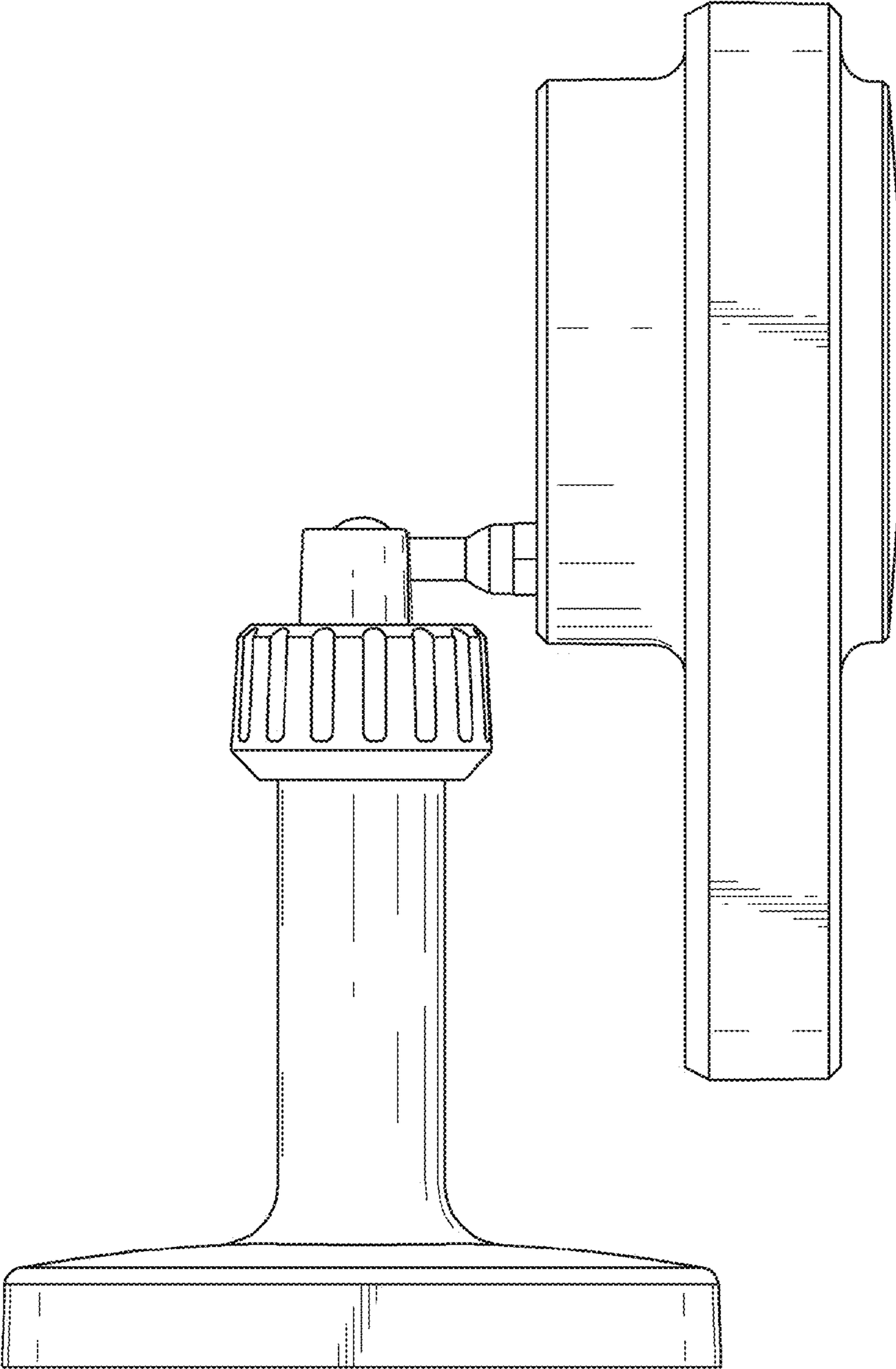


FIG. 5

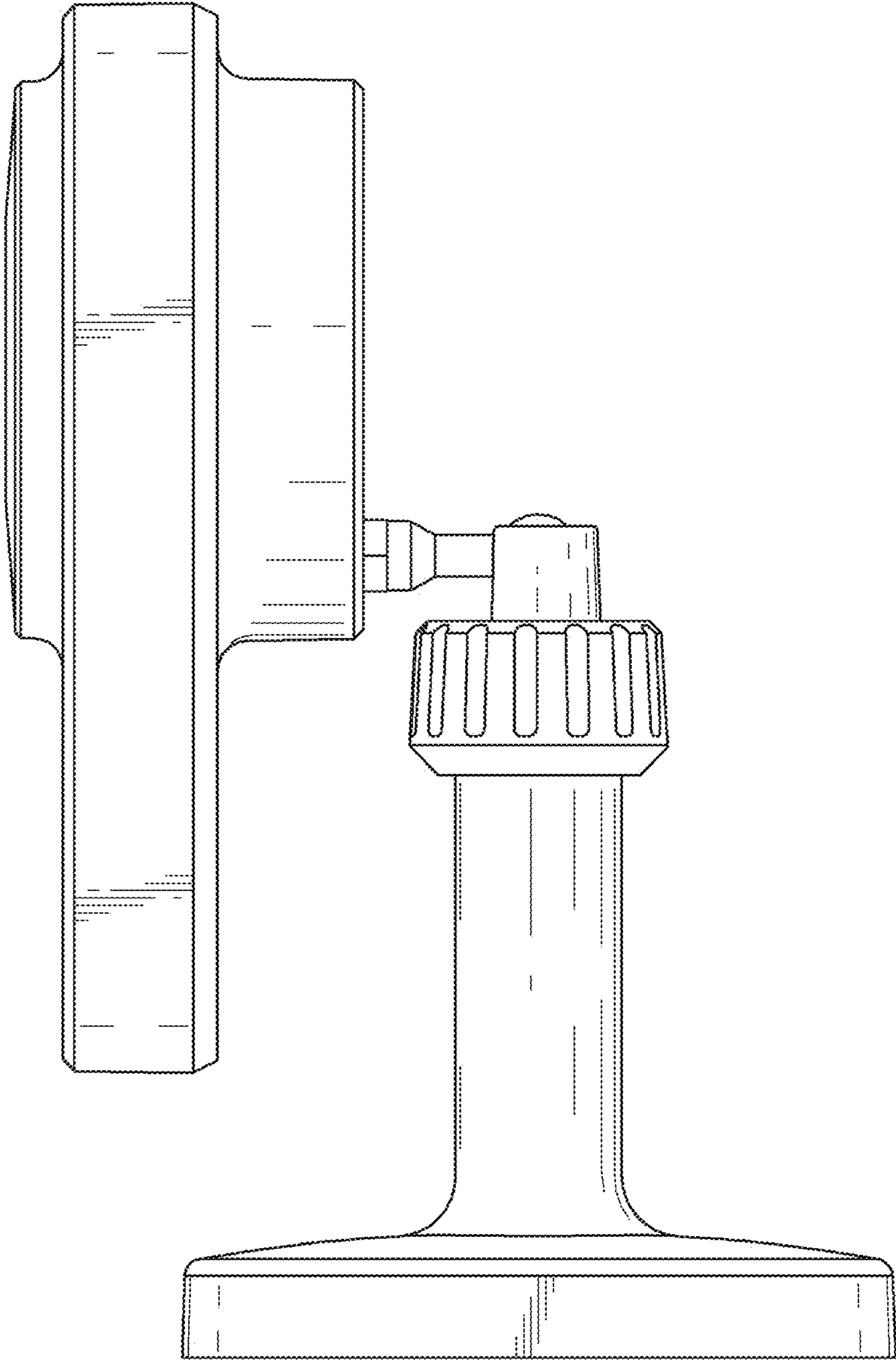


FIG. 6

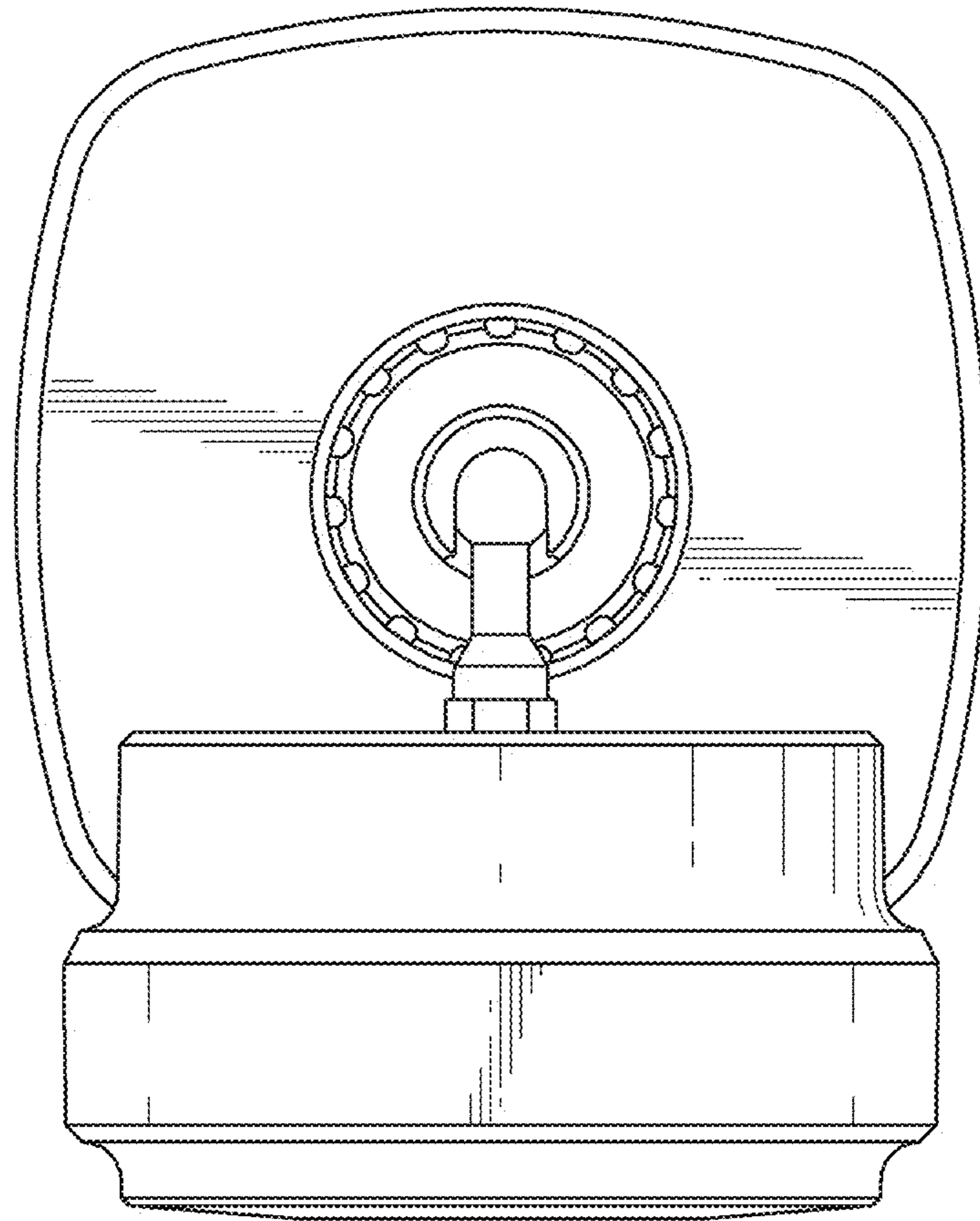


FIG. 7

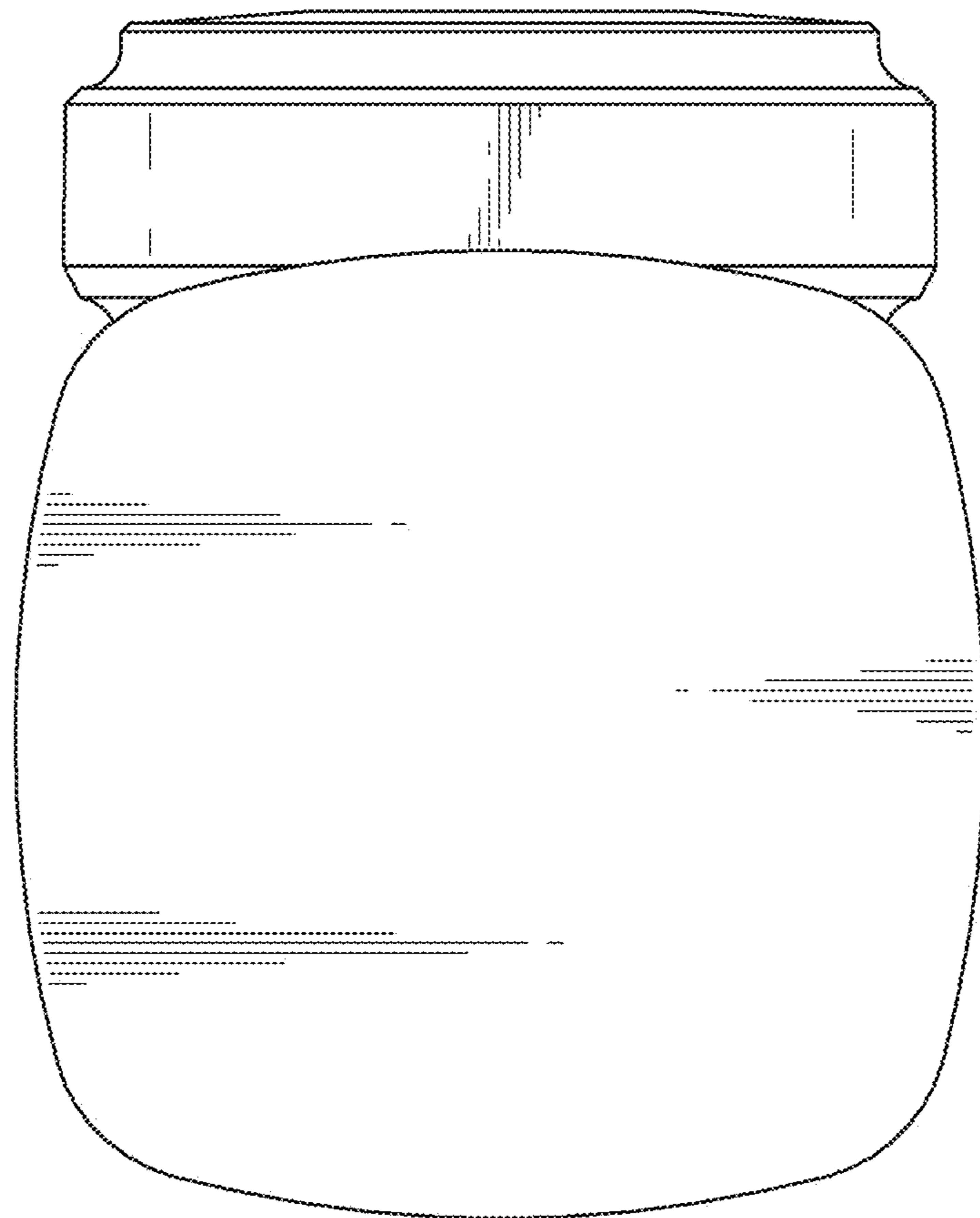


FIG. 8

