



US00D697118S

(12) **United States Design Patent**
Okuyama et al.

(10) **Patent No.:** **US D697,118 S**
(45) **Date of Patent:** **** Jan. 7, 2014**

(54) **ELECTRON MICROSCOPE**

(71) Applicant: **Jeol Ltd.**, Akishima (JP)

(72) Inventors: **Kiyoyuki Okuyama**, Yamagata (JP);
Reiichi Ishikura, Tokyo (JP); **Norikazu Shoji**, Hamura (JP)

(73) Assignee: **Jeol Ltd.** (JP)

(**) Term: **14 Years**

(21) Appl. No.: **29/433,351**

(22) Filed: **Sep. 28, 2012**

(30) **Foreign Application Priority Data**

Mar. 30, 2012 (JP) 2012-007425
Mar. 30, 2012 (JP) 2012-007426
Mar. 30, 2012 (JP) 2012-007465

(51) **LOC (10) Cl.** **16-06**

(52) **U.S. Cl.**
USPC **D16/131**

(58) **Field of Classification Search**
USPC D16/130, 131, 221, 234, 250; 359/382,
359/383, 384, 385, 368, 389, 390, 363;
D3/294, 903; D24/232, 186, 216, 234;
345/7; D18/11; D10/103, 811;
206/209; D9/429

See application file for complete search history.

(56) **References Cited**

U.S. PATENT DOCUMENTS

2,971,080 A * 2/1961 Boughton 362/449
D225,580 S * 12/1972 Reinecke D24/186
D241,741 S * 10/1976 Armbruster D16/131
D256,726 S * 9/1980 Meuli et al. D24/232
D274,408 S * 6/1984 Fernandez D9/423
D298,770 S * 11/1988 DeMars D23/314

D332,616 S * 1/1993 Hashimoto et al. D16/131
D390,265 S * 2/1998 Cheris et al. D19/75
6,147,797 A * 11/2000 Lee 359/363
D435,967 S * 1/2001 Tiramani et al. D3/273
D474,280 S * 5/2003 Niedbala et al. D24/232
D527,464 S * 8/2006 Ina et al. D24/232
7,321,462 B2 * 1/2008 Yamamoto 359/390
D561,349 S * 2/2008 Levin D24/232
D575,809 S * 8/2008 Hebiishi D16/131
D588,276 S * 3/2009 Isozaki et al. D24/232
D591,864 S * 5/2009 Schmidt D24/216
D599,234 S * 9/2009 Ito D10/81
D612,276 S * 3/2010 Duffy et al. D10/81
D623,211 S * 9/2010 Oonuma et al. D16/131
D625,749 S * 10/2010 Oonuma et al. D16/131
D626,579 S * 11/2010 Oonuma et al. D16/131
D629,529 S * 12/2010 Russell et al. D24/217

(Continued)

Primary Examiner — Paula Greene

(74) *Attorney, Agent, or Firm* — Harness, Dickey & Pierce,
P.L.C.

(57) **CLAIM**

The ornamental design for an electron microscope, as shown
and described.

DESCRIPTION

FIG. 1 is a perspective view of an electron microscope as
viewed from the top, front and right side, showing our new
design;

FIG. 2 is a perspective view thereof in an alternate position;

FIG. 3 is a front view thereof;

FIG. 4 is a rear view thereof;

FIG. 5 is a top view thereof;

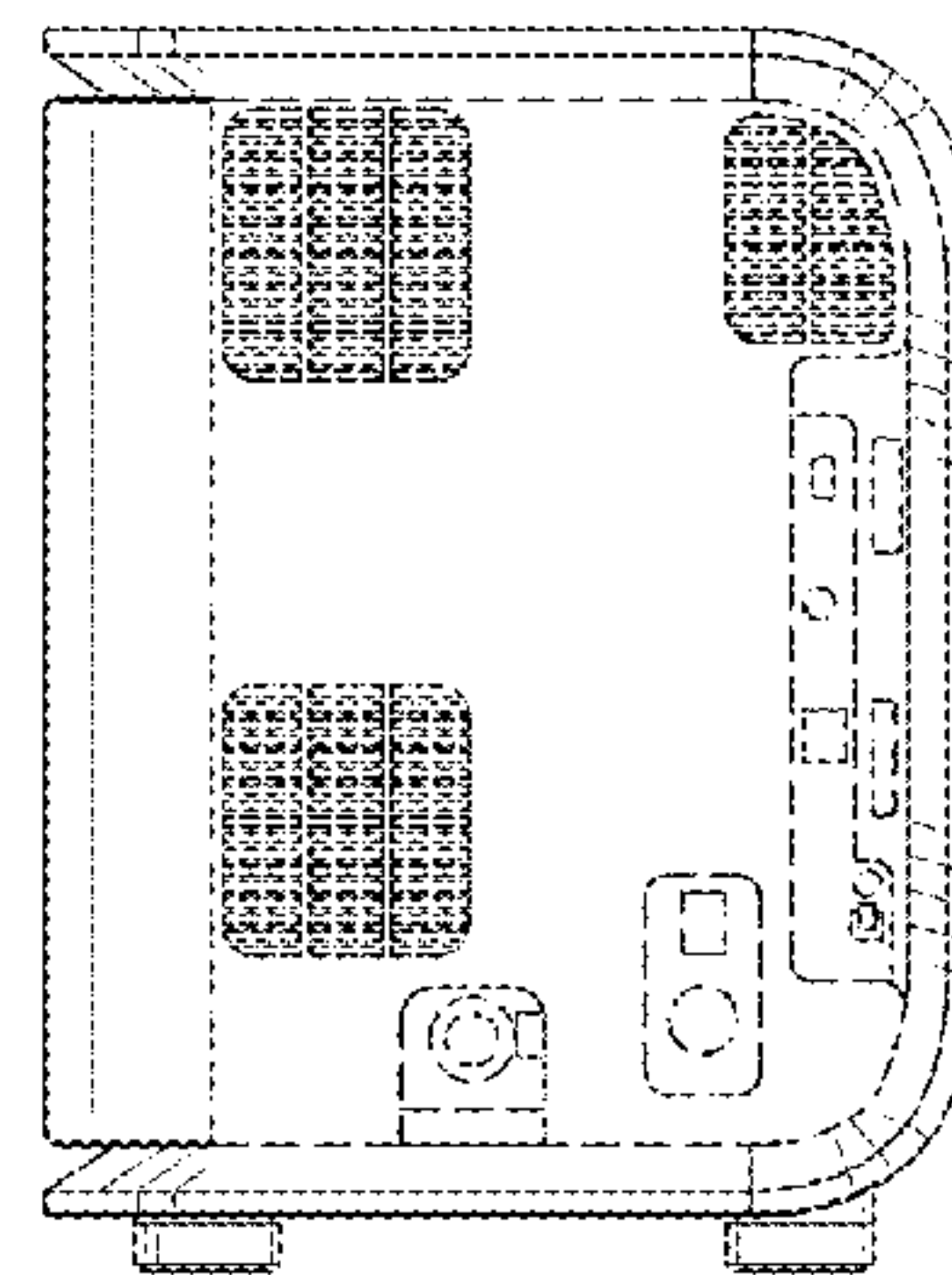
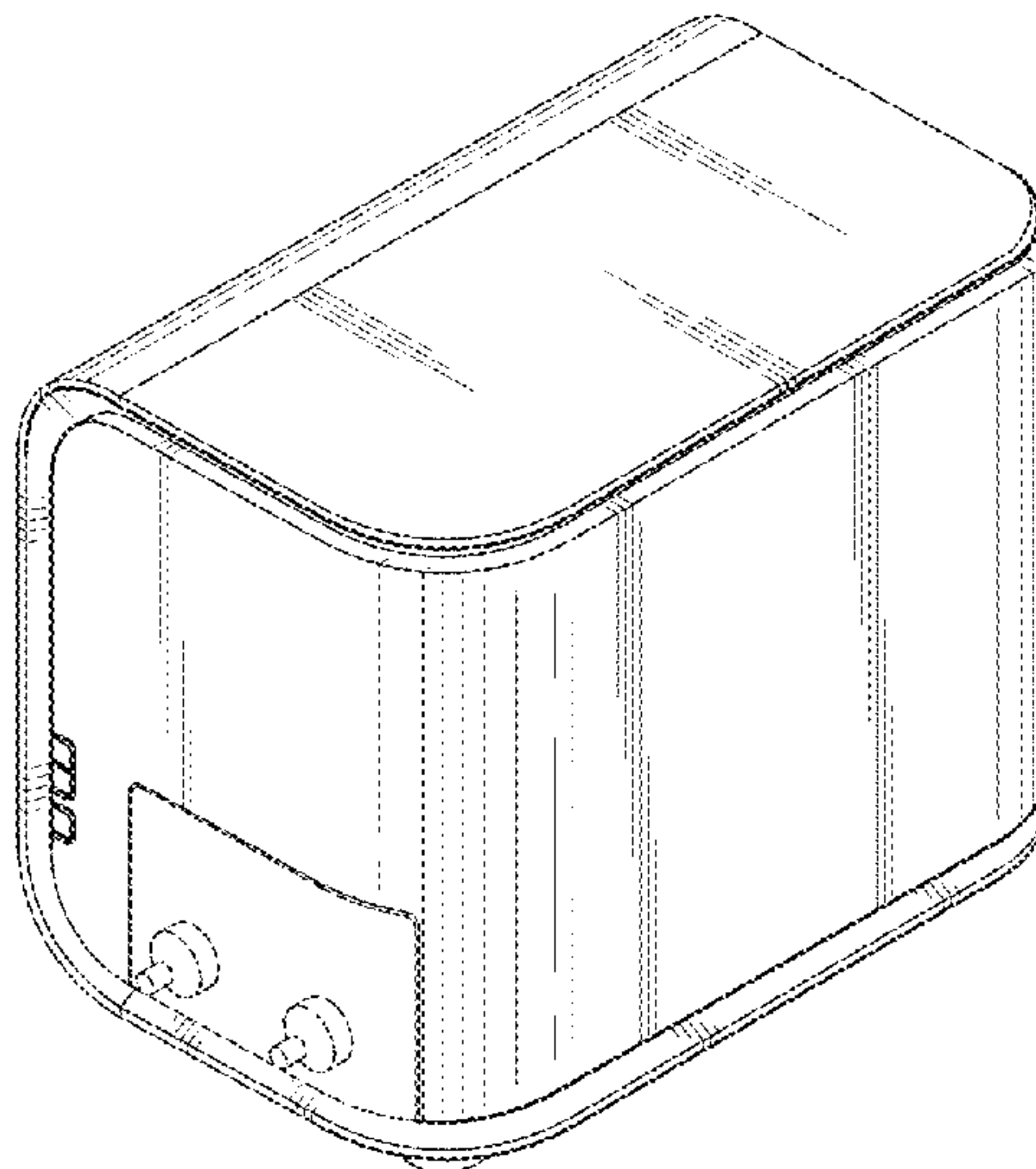
FIG. 6 is a bottom view thereof;

FIG. 7 is a right side view thereof; and,

FIG. 8 is a left side view thereof.

The broken lines are for illustrative purposes only and form
no part of the claimed invention.

1 Claim, 3 Drawing Sheets



US D697,118 S

Page 2

(56)

References Cited

U.S. PATENT DOCUMENTS

D632,323 S * 2/2011 Oonuma et al. D16/131
D633,537 S * 3/2011 Oonuma et al. D16/131
D633,538 S * 3/2011 Oonuma et al. D16/131

D638,046 S * 5/2011 Noda et al. D16/131
D656,978 S * 4/2012 Stoiakine D16/131
D663,338 S * 7/2012 Okamoto et al. D16/131
D668,699 S * 10/2012 Au et al. D16/131
D681,689 S * 5/2013 Saito et al. D15/24

* cited by examiner

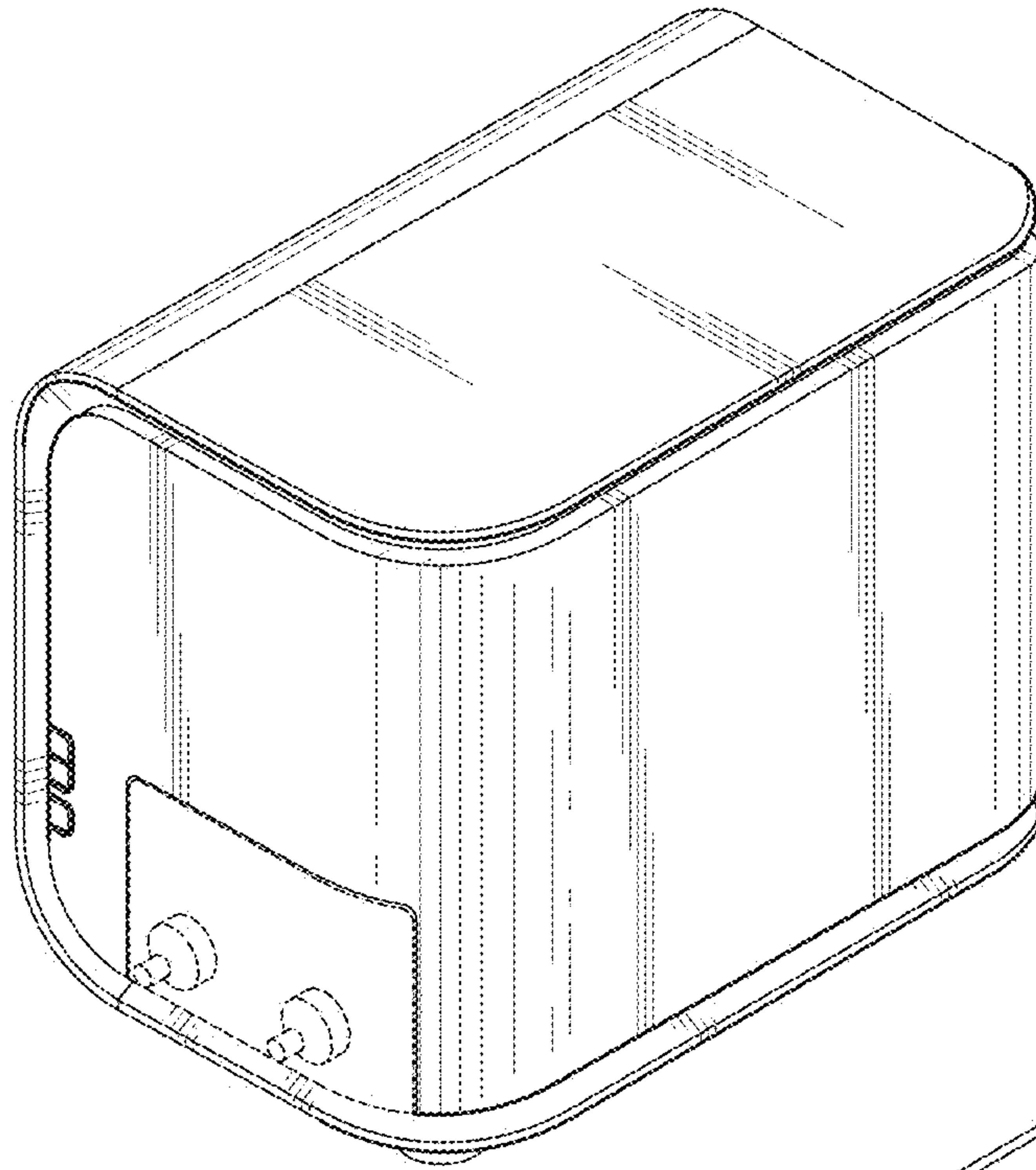


Fig. 1

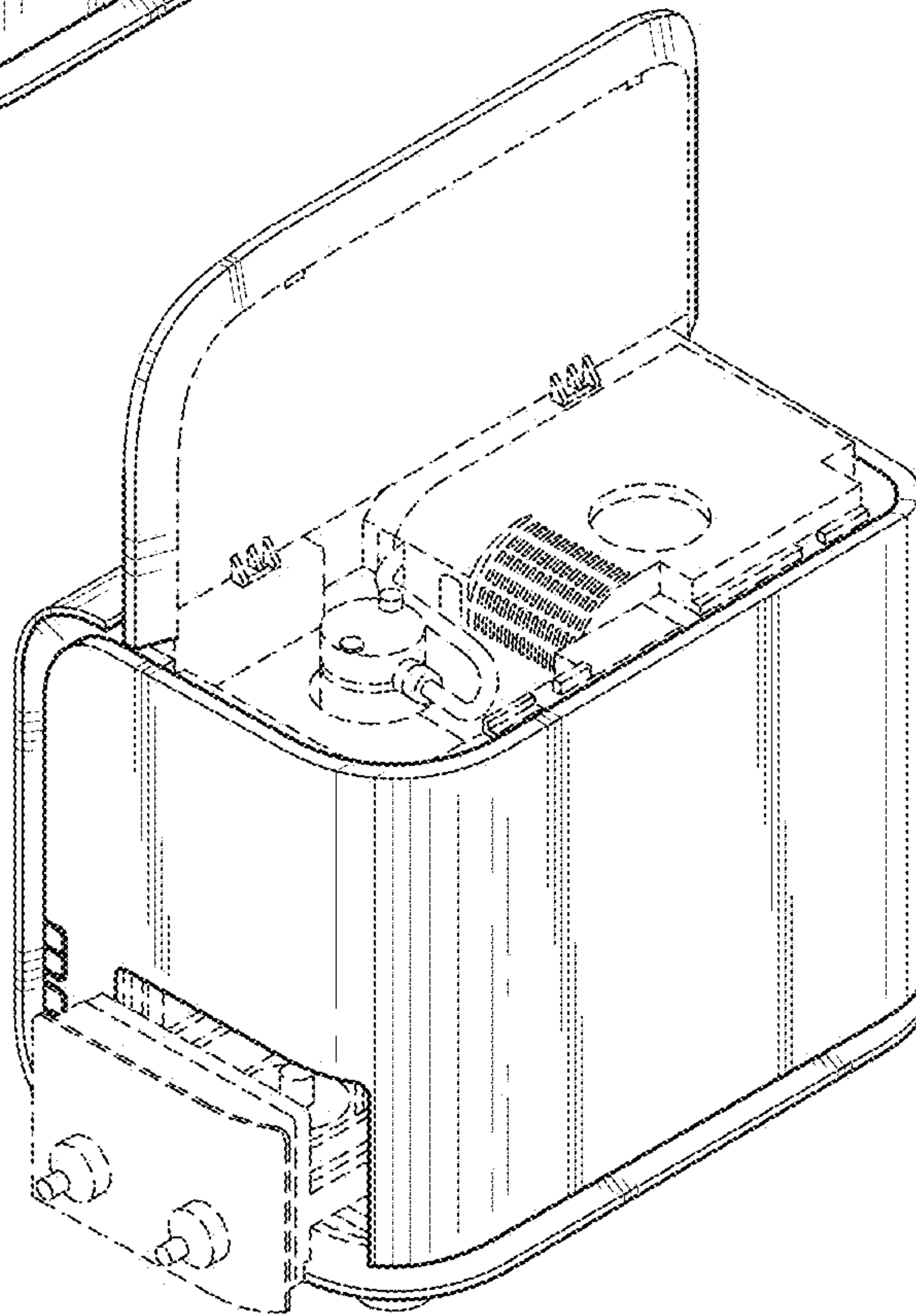


Fig. 2

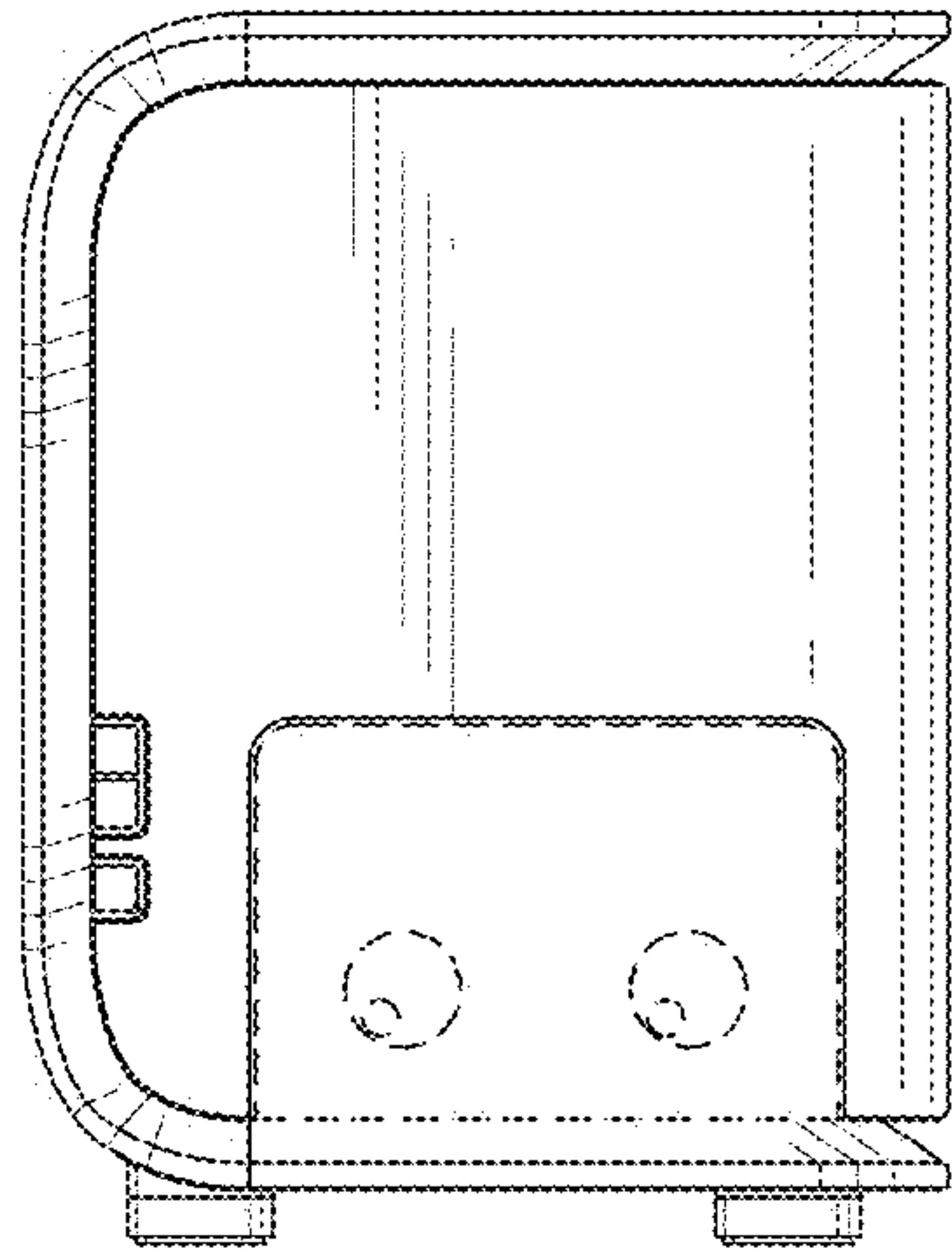


Fig. 3

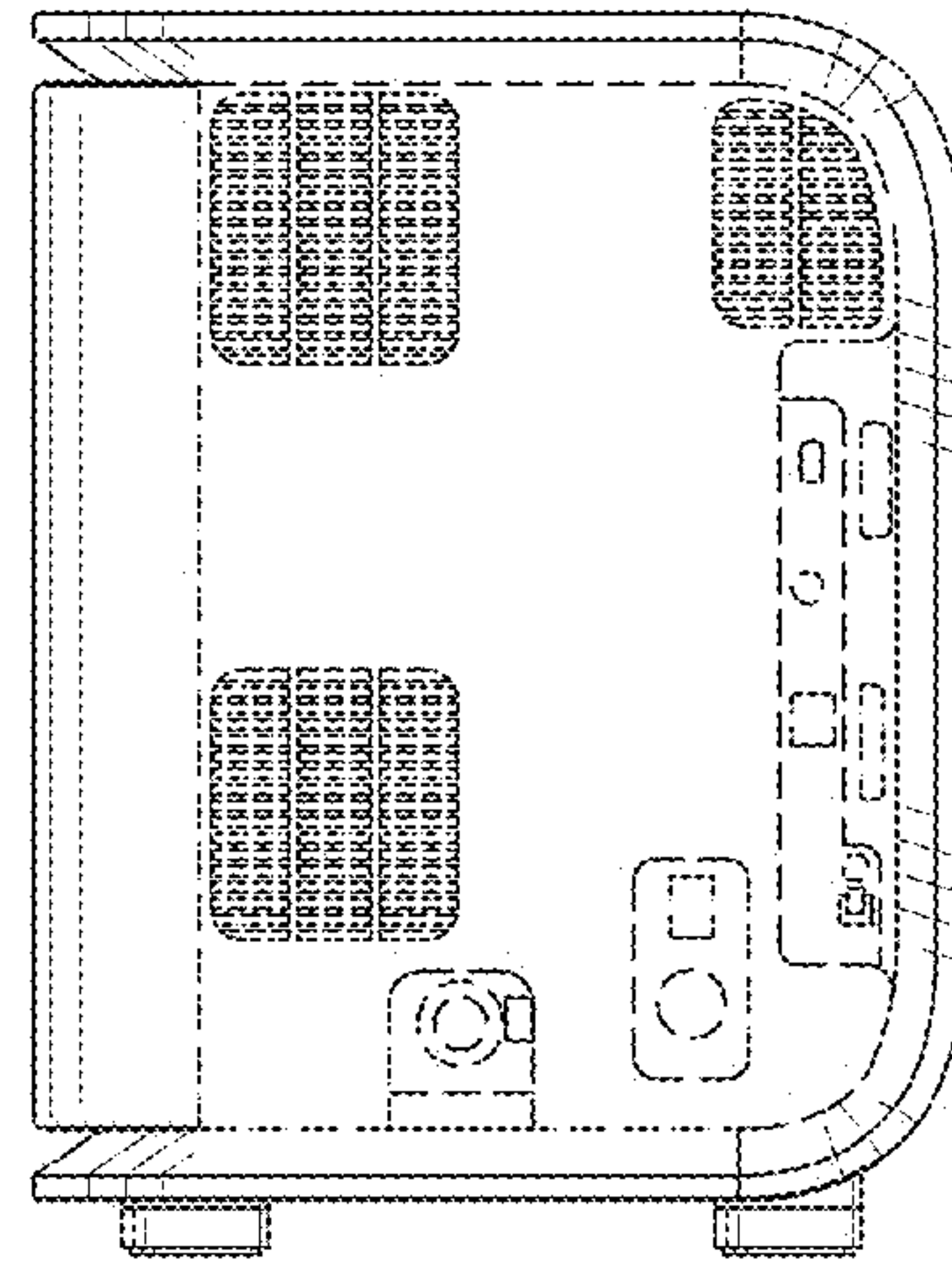


Fig. 4

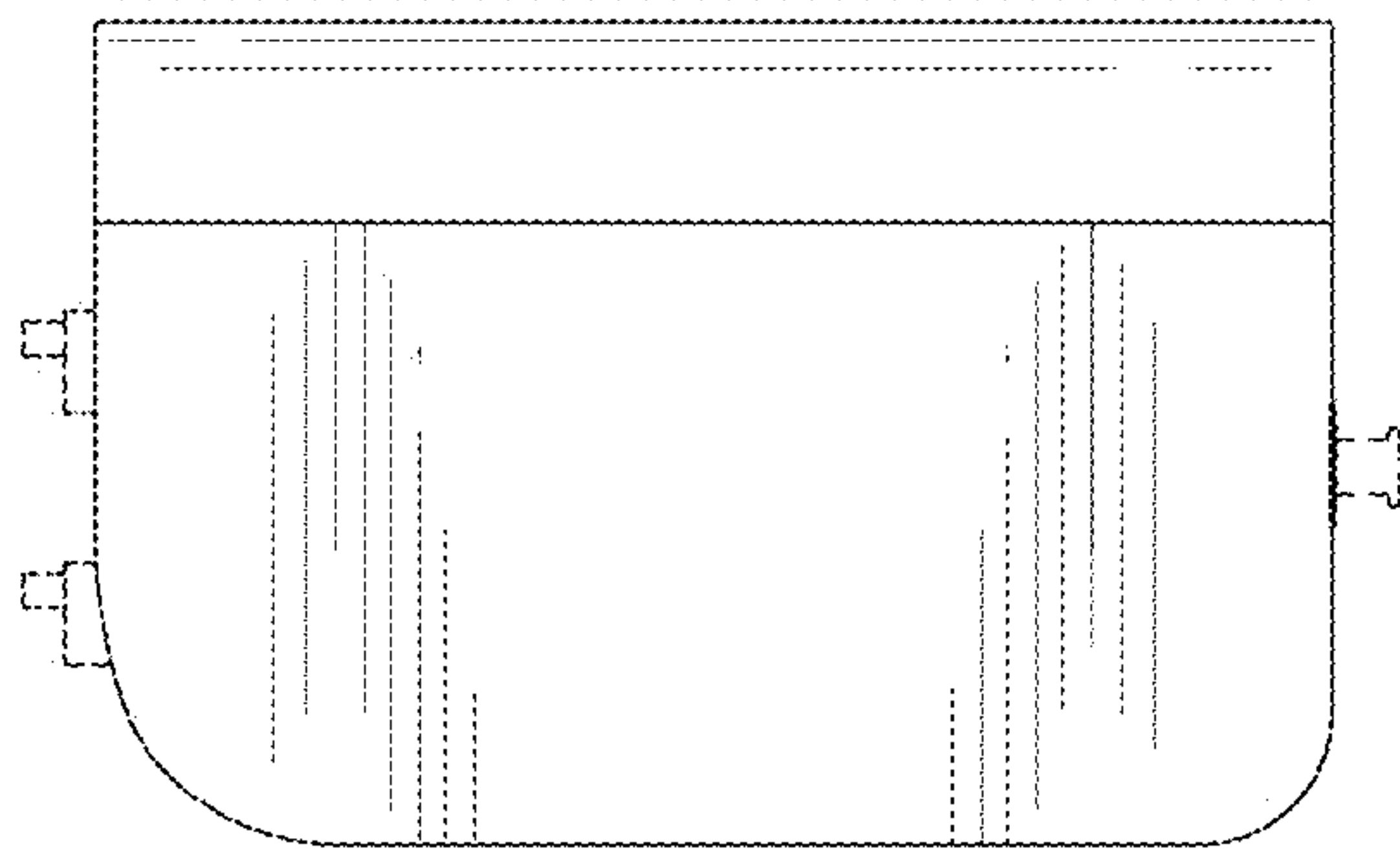


Fig. 5

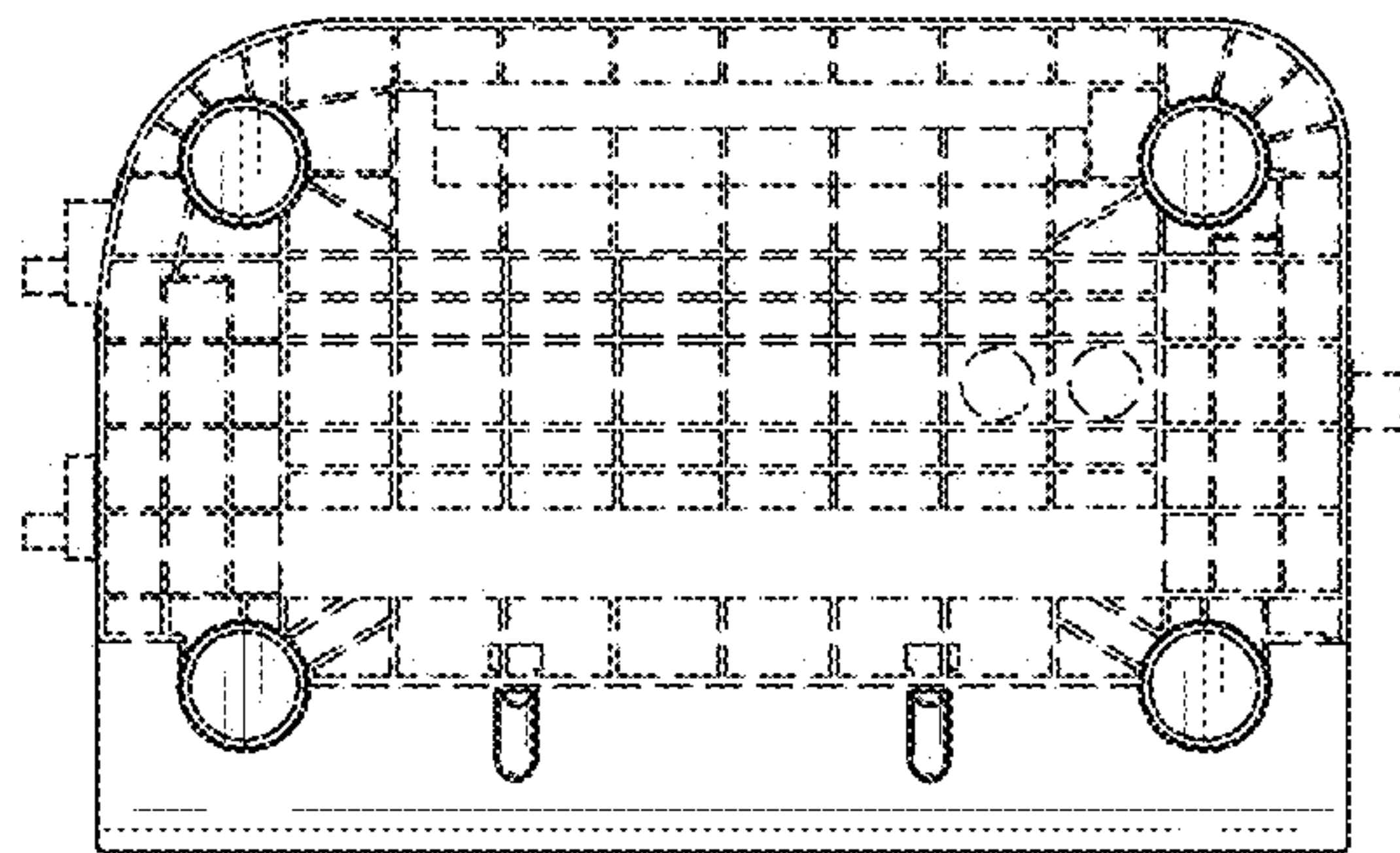


Fig. 6

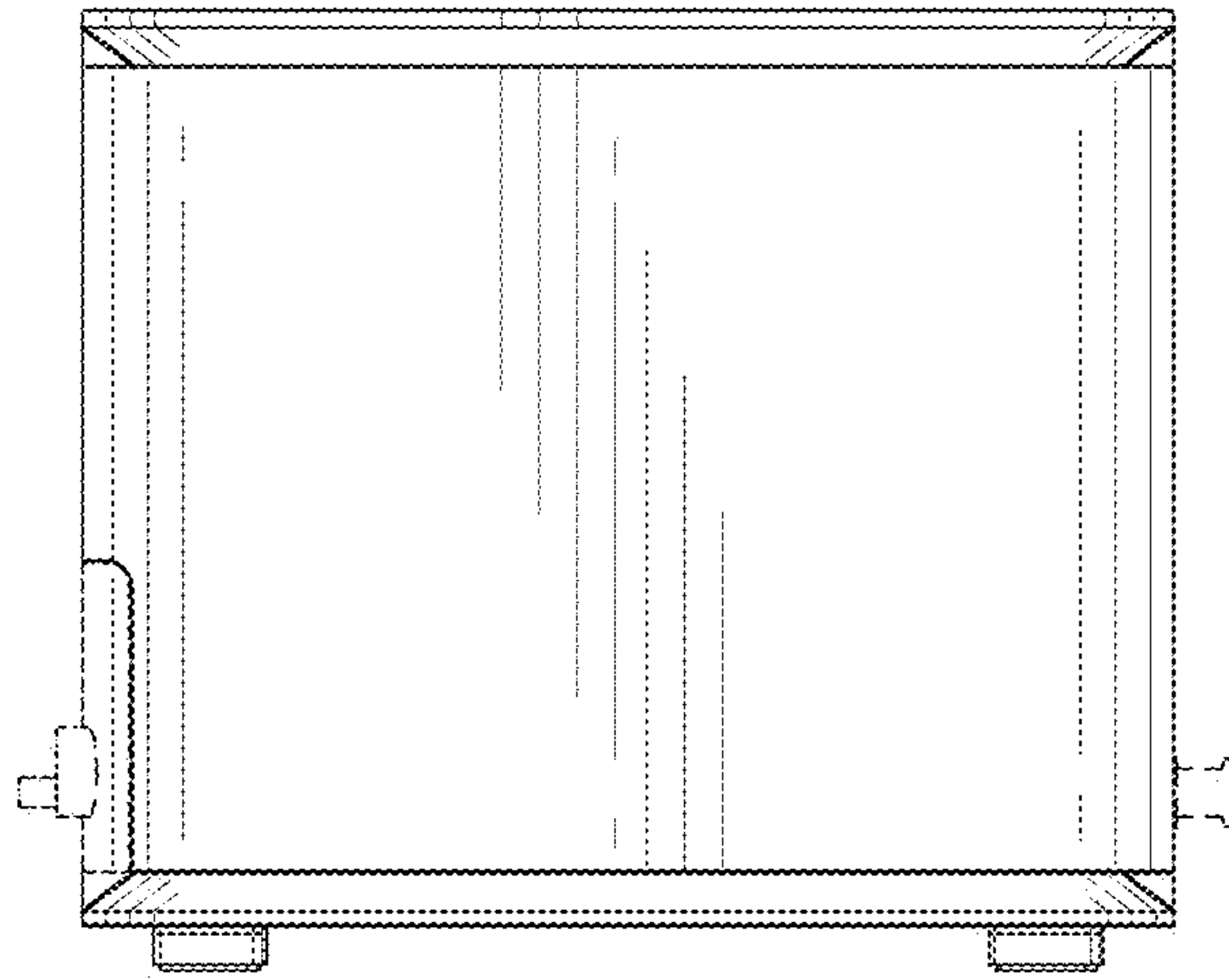


Fig. 7

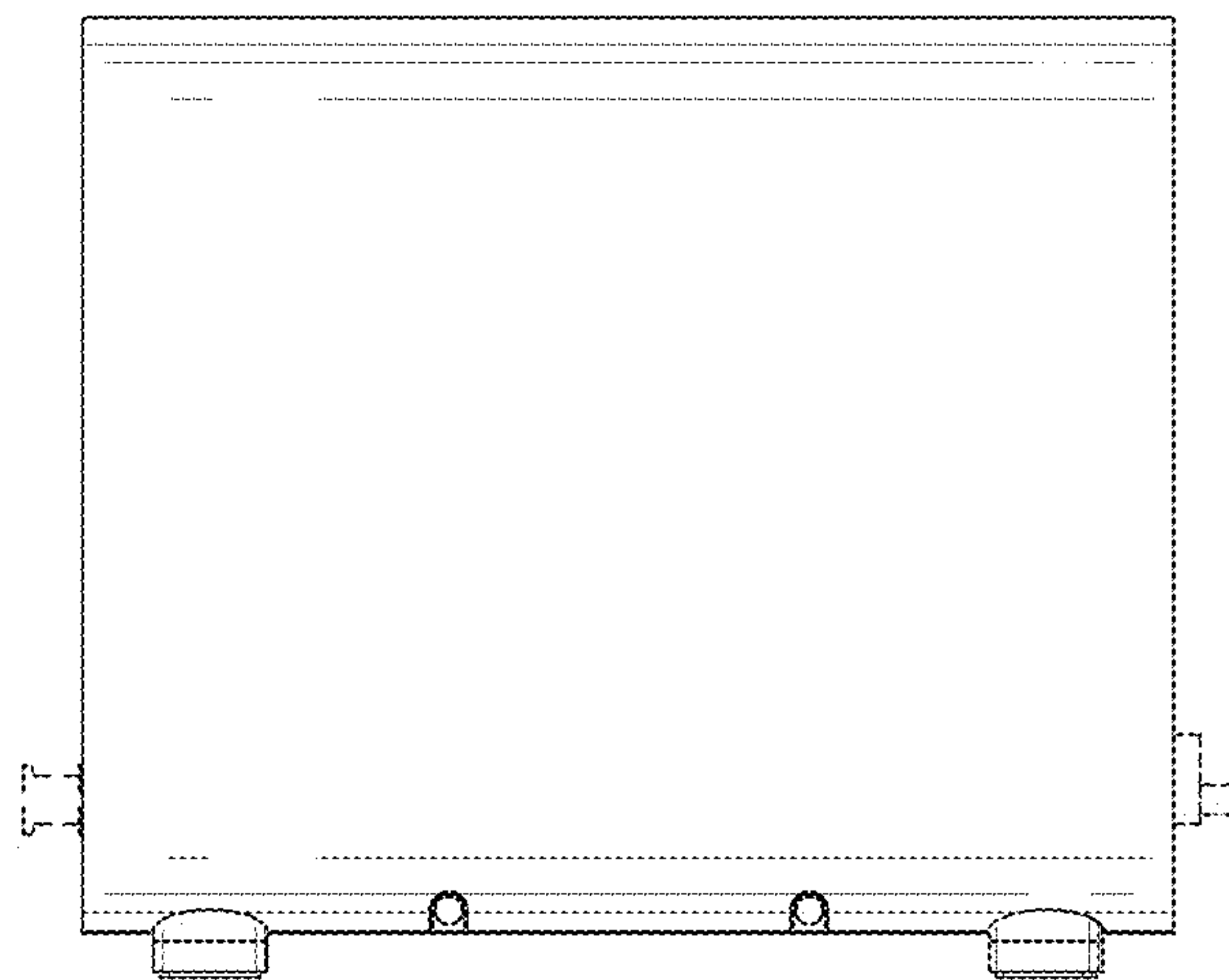


Fig. 8