



US00D697114S

(12) **United States Design Patent**  
**Huschka**

(10) **Patent No.:** **US D697,114 S**  
(45) **Date of Patent:** **\*\* Jan. 7, 2014**

- (54) **VERTICAL HEXAGONAL EYEGLASS LENS WITH APERTURE**
- (71) Applicant: **Esotika Enterprises LLC**, Paramount, CA (US)
- (72) Inventor: **Todd Huschka**, Madison, WI (US)
- (73) Assignee: **KM Fashion Eyewear, LLC**, Paramount, CA (US)
- (\*\*) Term: **14 Years**
- (21) Appl. No.: **29/450,282**
- (22) Filed: **Mar. 15, 2013**
- (51) **LOC (10) Cl.** ..... **16-06**
- (52) **U.S. Cl.**  
USPC ..... **D16/101**; D16/315; D16/306
- (58) **Field of Classification Search**  
USPC ..... D16/101, 300–342, 900; D29/109–110;  
351/41, 44, 51–52, 62, 158, 92,  
351/103–123, 140–153, 45–46; 2/426–432,  
2/447–449, 441, 434–437, 13, 15;  
D21/483, 659–661; D14/372  
See application file for complete search history.

- D655,732 S 3/2012 Huschka
- D655,733 S 3/2012 Huschka
- D655,734 S 3/2012 Huschka
- D666,647 S 9/2012 Huschka
- D666,648 S 9/2012 Huschka
- D666,649 S 9/2012 Huschka
- D666,650 S 9/2012 Huschka
- D666,651 S 9/2012 Huschka
- D666,652 S 9/2012 Huschka

\* cited by examiner

*Primary Examiner* — Raphael Barkai  
(74) *Attorney, Agent, or Firm* — Lance M. Pritikin

(57) **CLAIM**  
The ornamental design for a vertical hexagonal eyeglass lens with aperture, as shown and described.

**DESCRIPTION**

FIG. 1 is a front environmental view of the vertical hexagonal eyeglass lens with aperture, depicting a vertical hexagonal aperture;

FIG. 2 is a front perspective view of the vertical hexagonal eyeglass lens with aperture, depicting the vertical hexagonal aperture;

FIG. 3 is a front view thereof;

FIG. 4 is a rear view thereof;

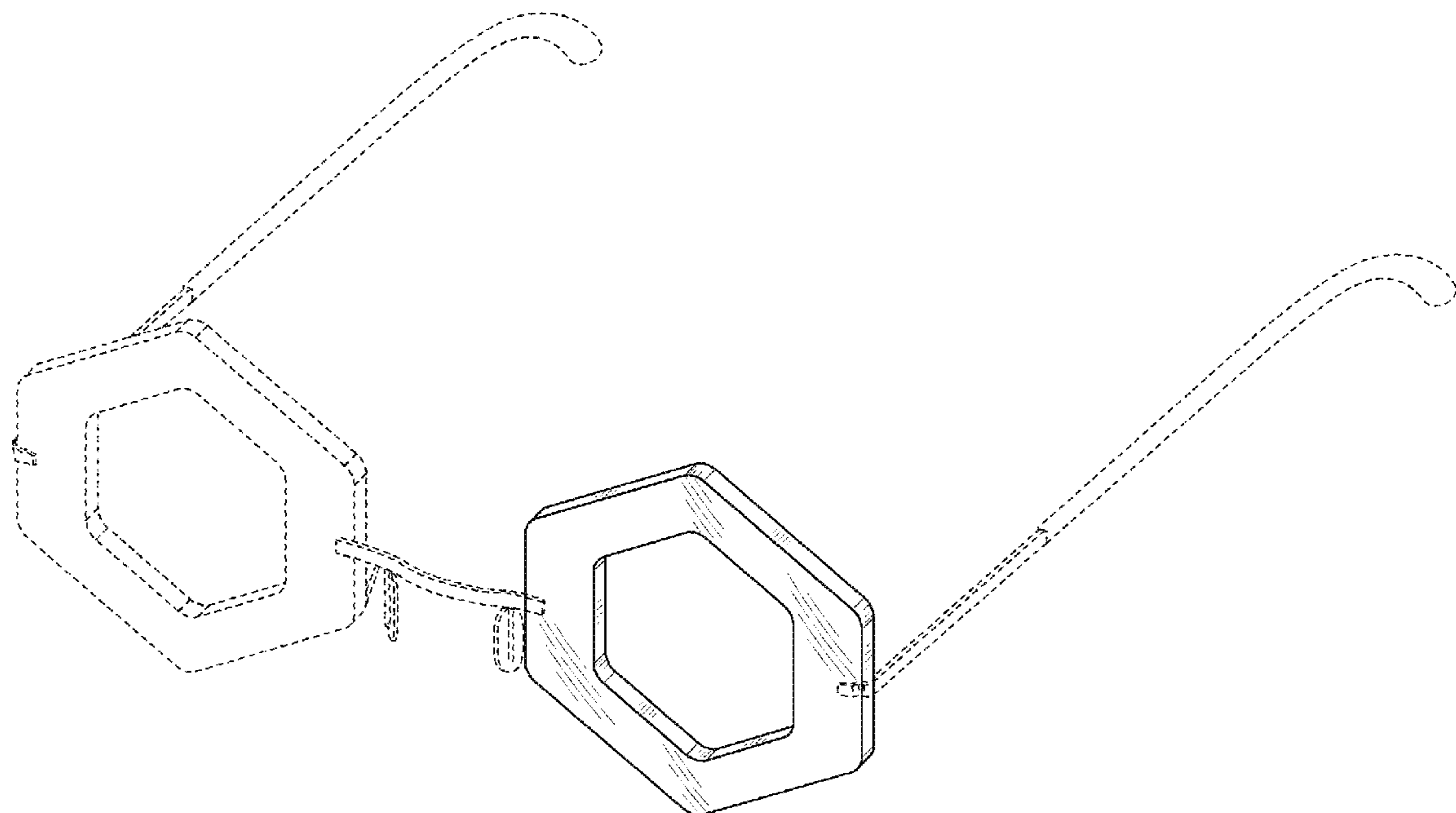
FIG. 5 is a right side view thereof with a left side being a mirror image; and,

FIG. 6 is a top view thereof with a bottom view being a mirror image.

The broken lines are included for illustrative purposes only and form no part of the claimed design.

- (56) **References Cited**  
U.S. PATENT DOCUMENTS  
D208,270 S \* 8/1967 Boxer ..... D16/306  
D256,025 S \* 7/1980 Lewis ..... D16/317  
D265,097 S \* 6/1982 Lewis ..... D16/317  
D622,748 S 8/2010 Huschka

**1 Claim, 3 Drawing Sheets**



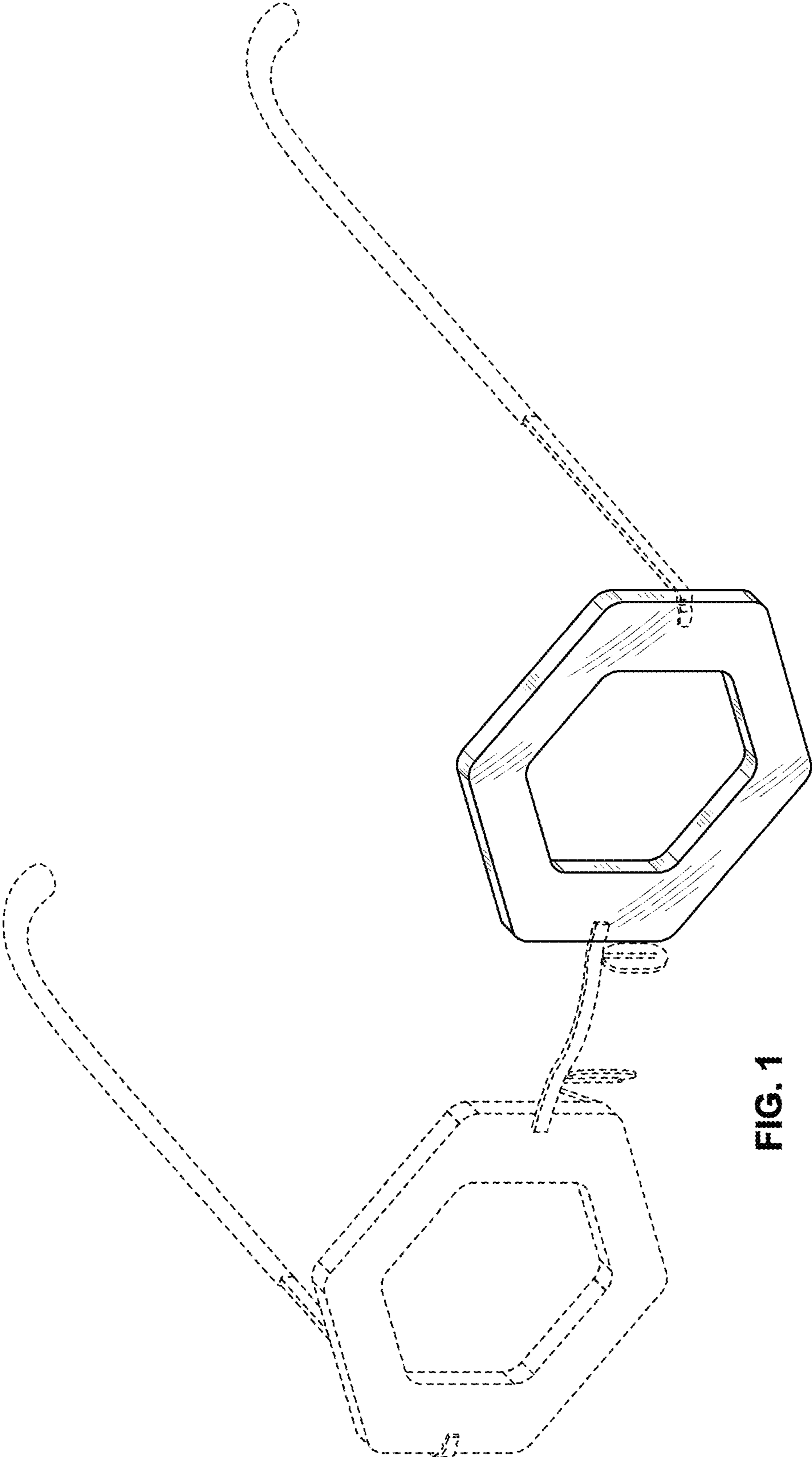


FIG. 1

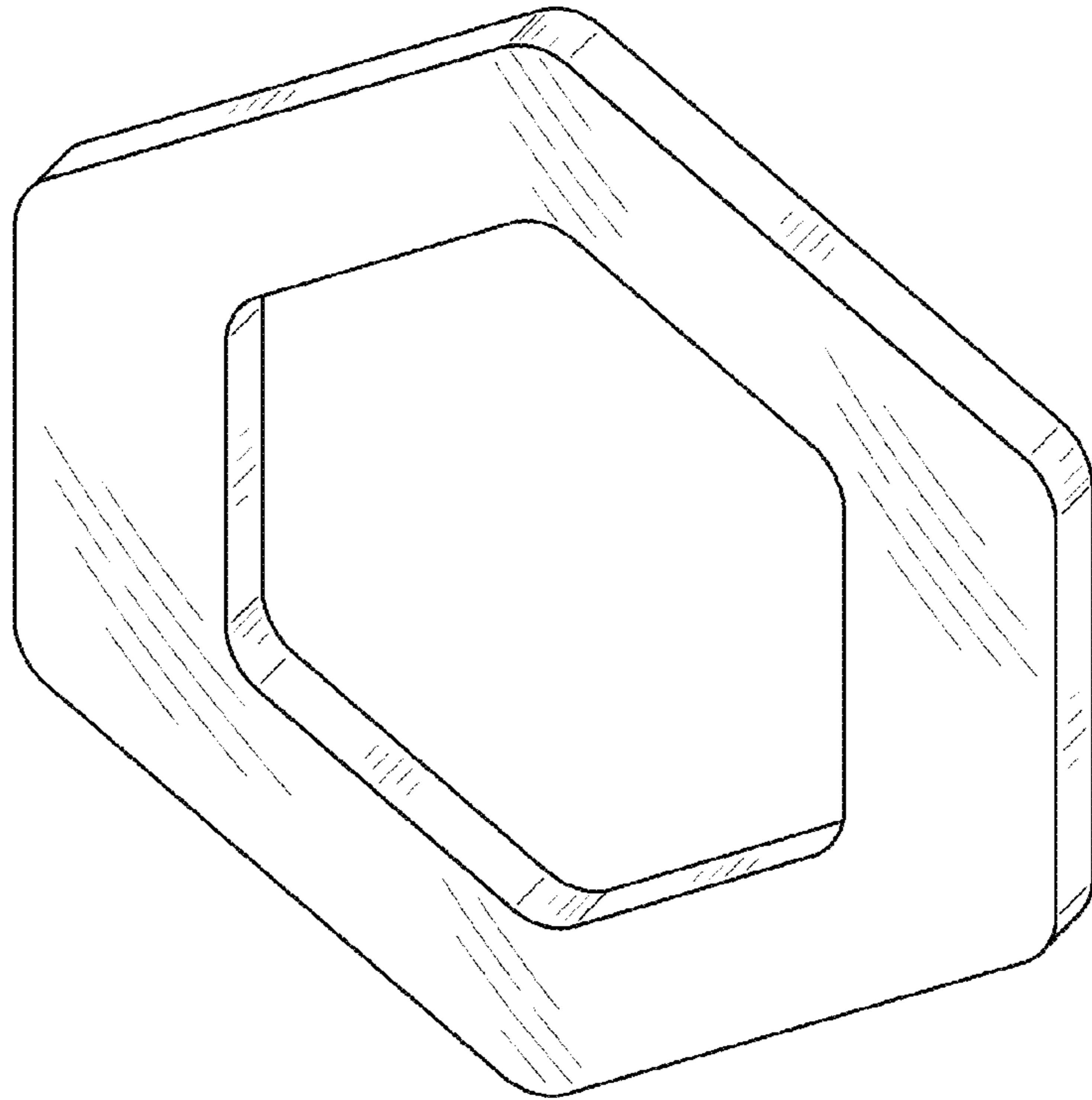


FIG. 2

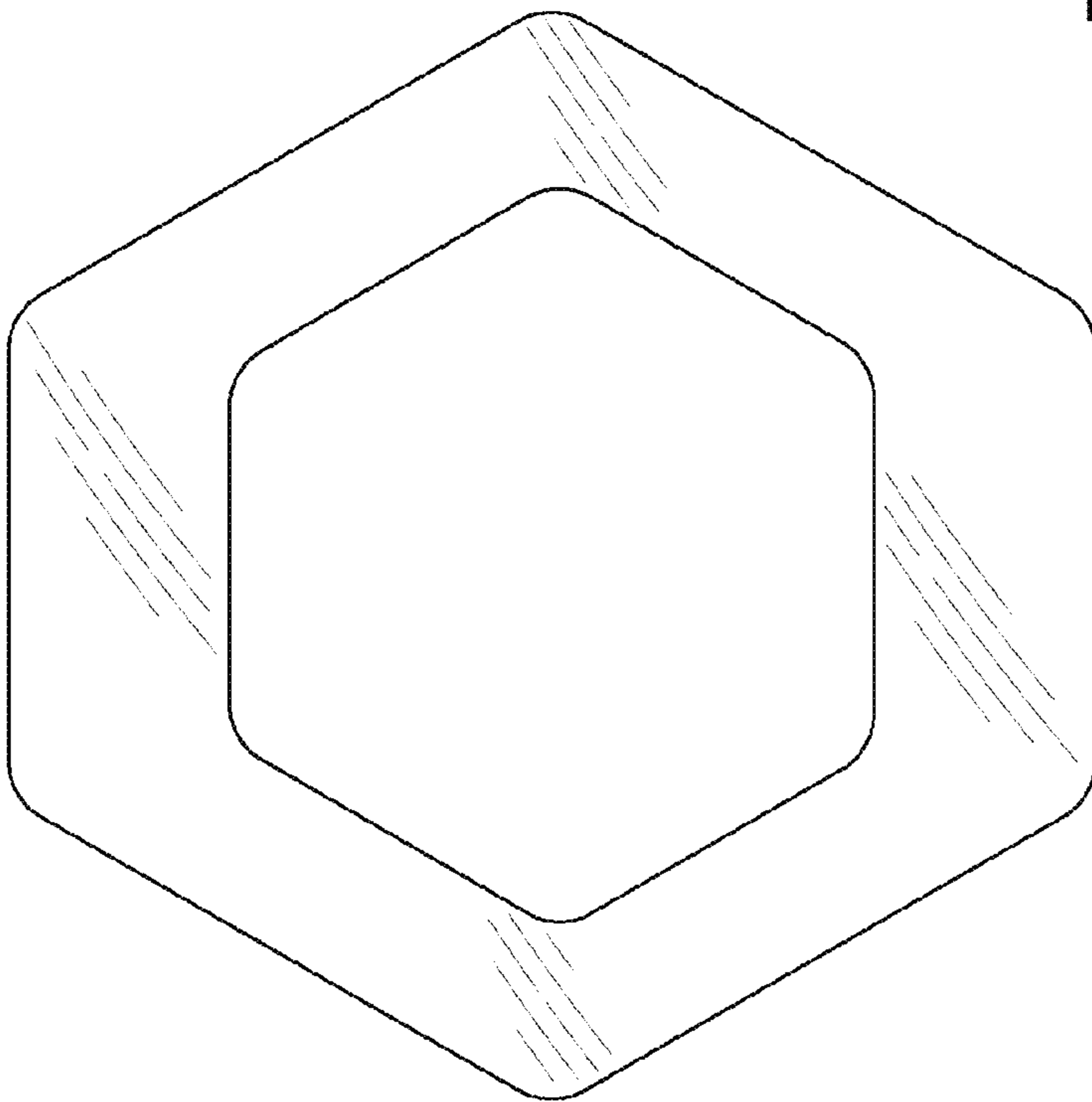


FIG. 3

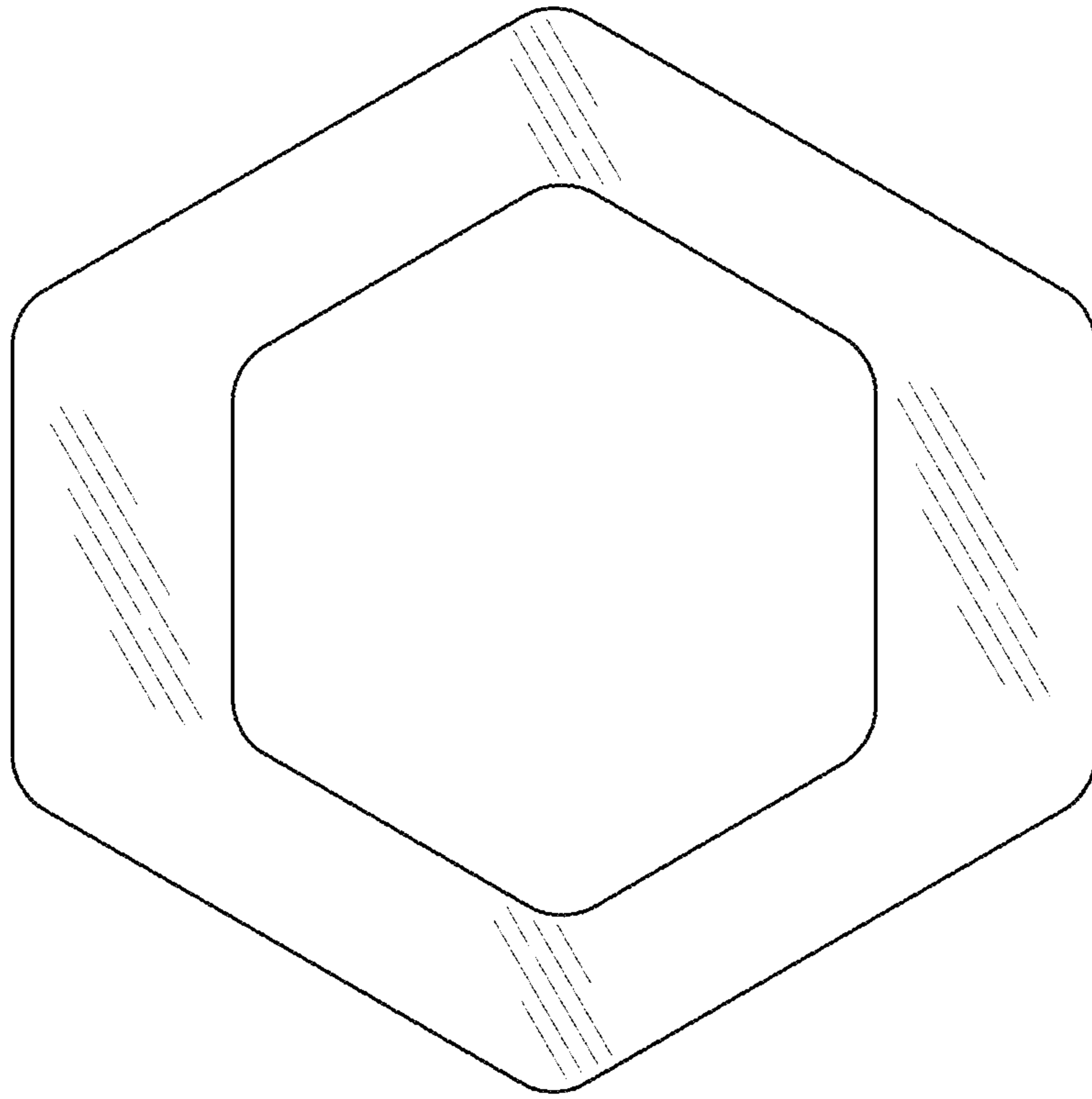


FIG. 4

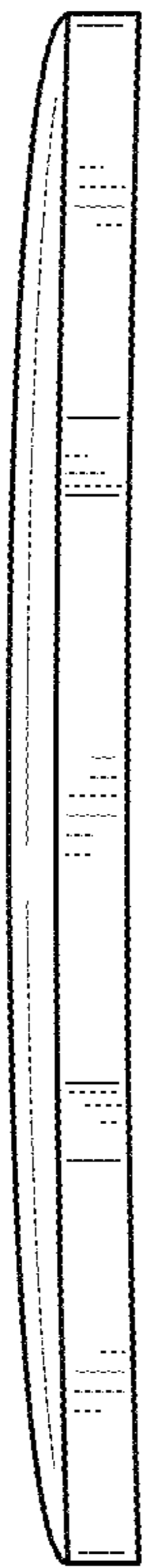


FIG. 5



FIG. 6