



US00D697103S

(12) **United States Design Patent**
Sigmund

(10) **Patent No.:** **US D697,103 S**
(45) **Date of Patent:** **** Jan. 7, 2014**

(54) **GEAR BOX**

474/146; 475/83, 331-335, 344, 345, 901;
476/42

(71) Applicant: **SEW-EURODRIVE GmbH & Co. KG,**
Bruschal (DE)

See application file for complete search history.

(72) Inventor: **Andreas Sigmund,** Bruschal (DE)

(56) **References Cited**

(73) Assignee: **SEW-EURODRIVE GmbH & Co. KG,**
Bruchsal (DE)

U.S. PATENT DOCUMENTS

(**) Term: **14 Years**

D674,828 S * 1/2013 Andersson D15/148
D677,293 S * 3/2013 Andersson D15/148
D685,404 S * 7/2013 Andersson D15/148

(21) Appl. No.: **29/460,393**

* cited by examiner

(22) Filed: **Jul. 10, 2013**

Primary Examiner — Patricia Palasik

(74) *Attorney, Agent, or Firm* — Finnegan, Henderson,
Farabow, Garrett & Dunner, LLP

Related U.S. Application Data

(62) Division of application No. 29/436,751, filed on Nov.
8, 2012, now Pat. No. Des. 690,339.

(57) **CLAIM**

The ornamental design for a gear box, as shown and
described.

DESCRIPTION

(30) **Foreign Application Priority Data**

May 9, 2012 (DE) 40 2012 002 183

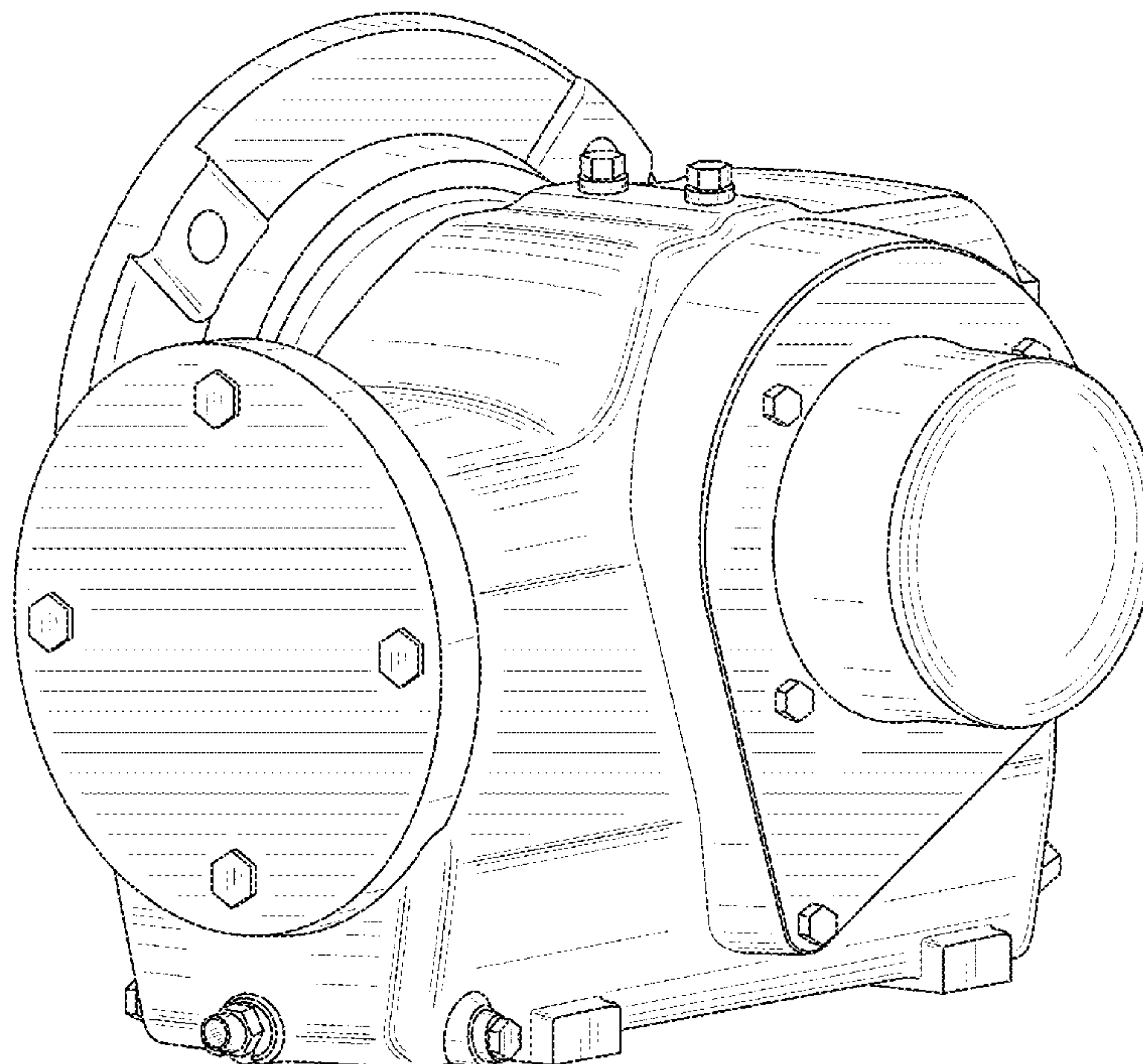
(51) **LOC (10) Cl.** **15-99**

(52) **U.S. Cl.**
USPC **D15/148**

(58) **Field of Classification Search**
USPC D15/5, 148, 149, 199; 74/66 R, 66 A,
74/395, 464, 489, 607; 280/5.5-5.524;
427/249.19; 428/408; 474/82, 144,

FIG. 1 is a front right perspective view of a gear box of my
new design;
FIG. 2 is a left side view thereof;
FIG. 3 is a right side view thereof;
FIG. 4 is a front view thereof;
FIG. 5 is a rear view thereof;
FIG. 6 is a top plan view thereof; and,
FIG. 7 is a bottom view thereof.

1 Claim, 7 Drawing Sheets



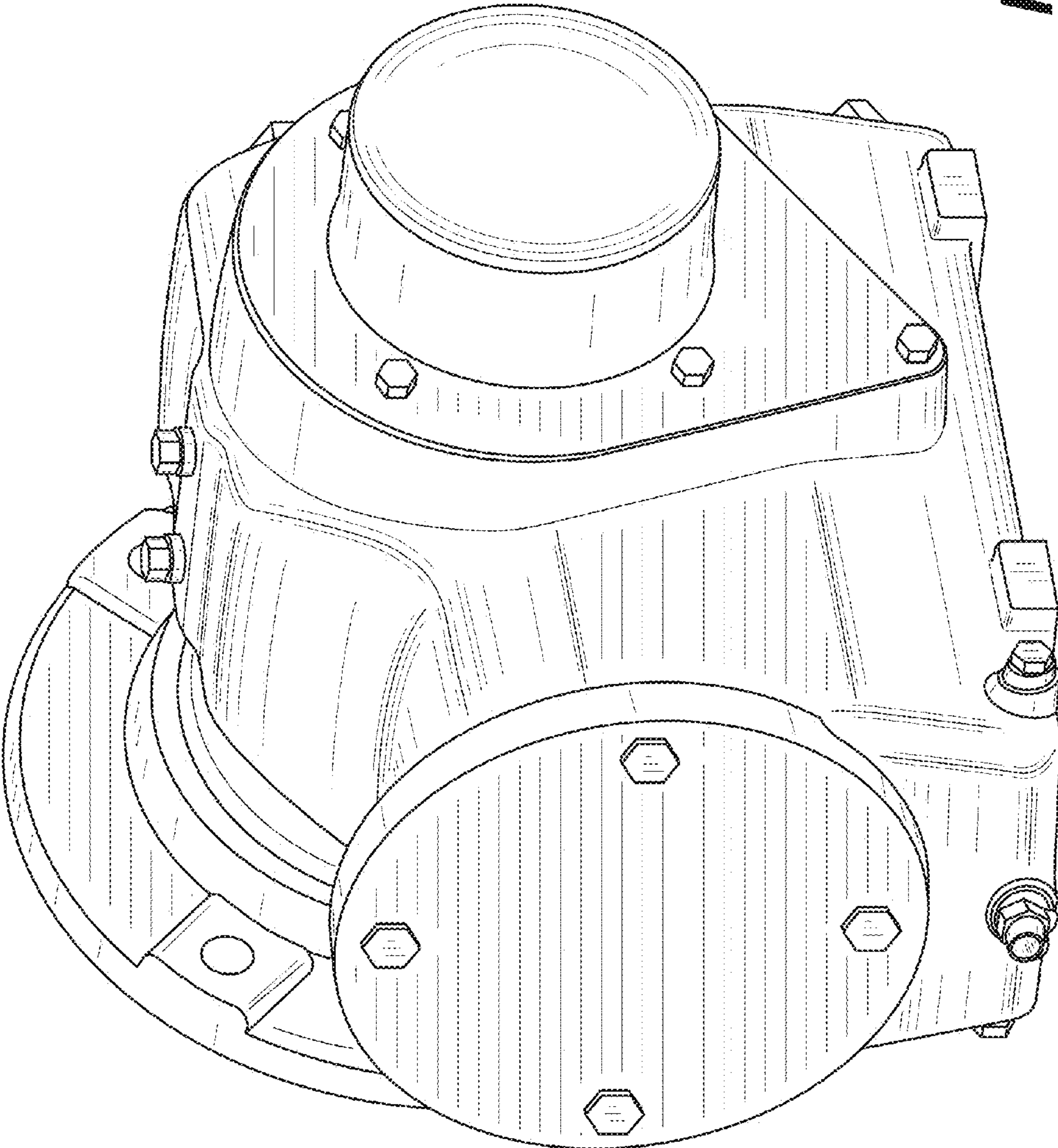


FIG. 1

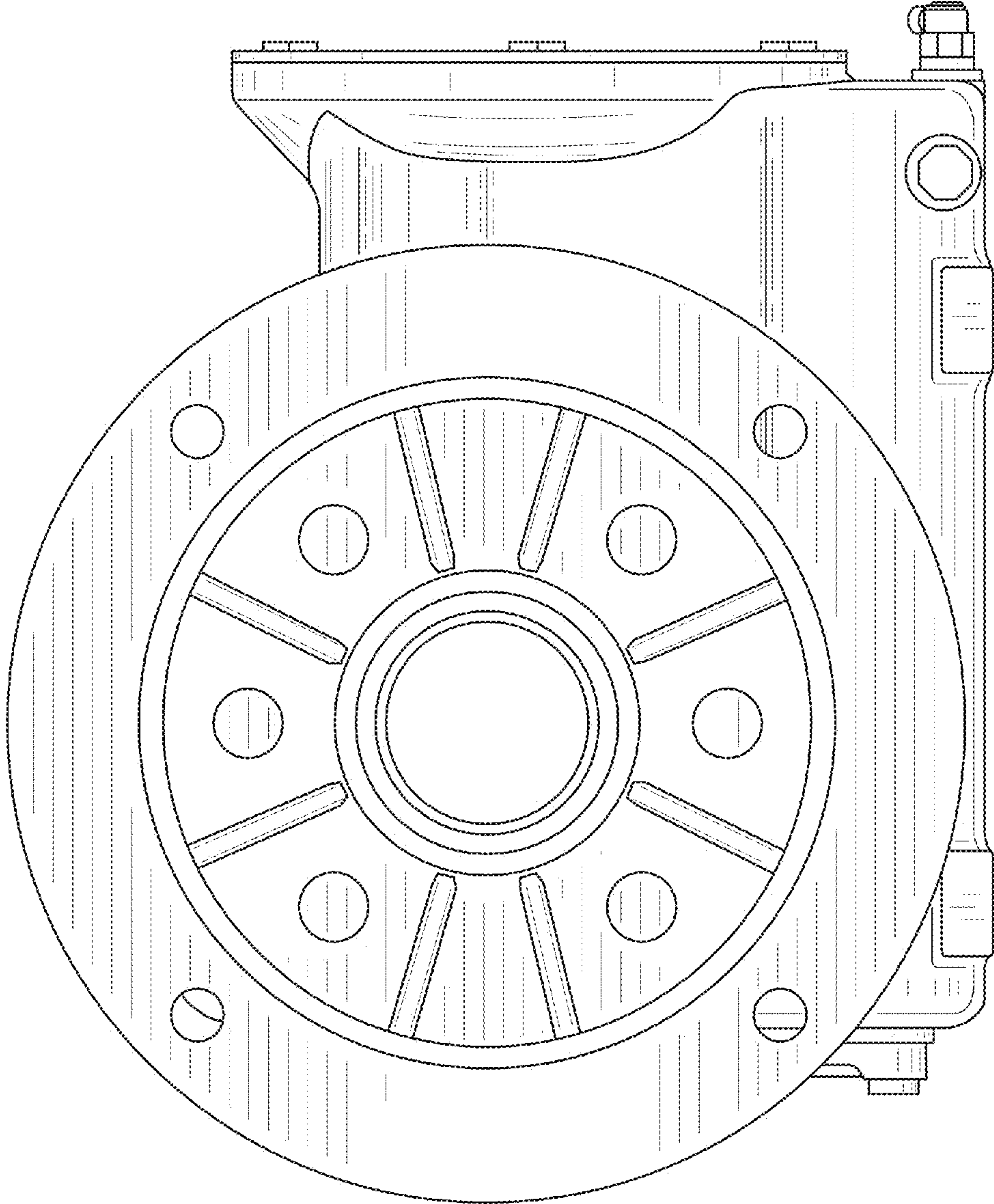


FIG. 2

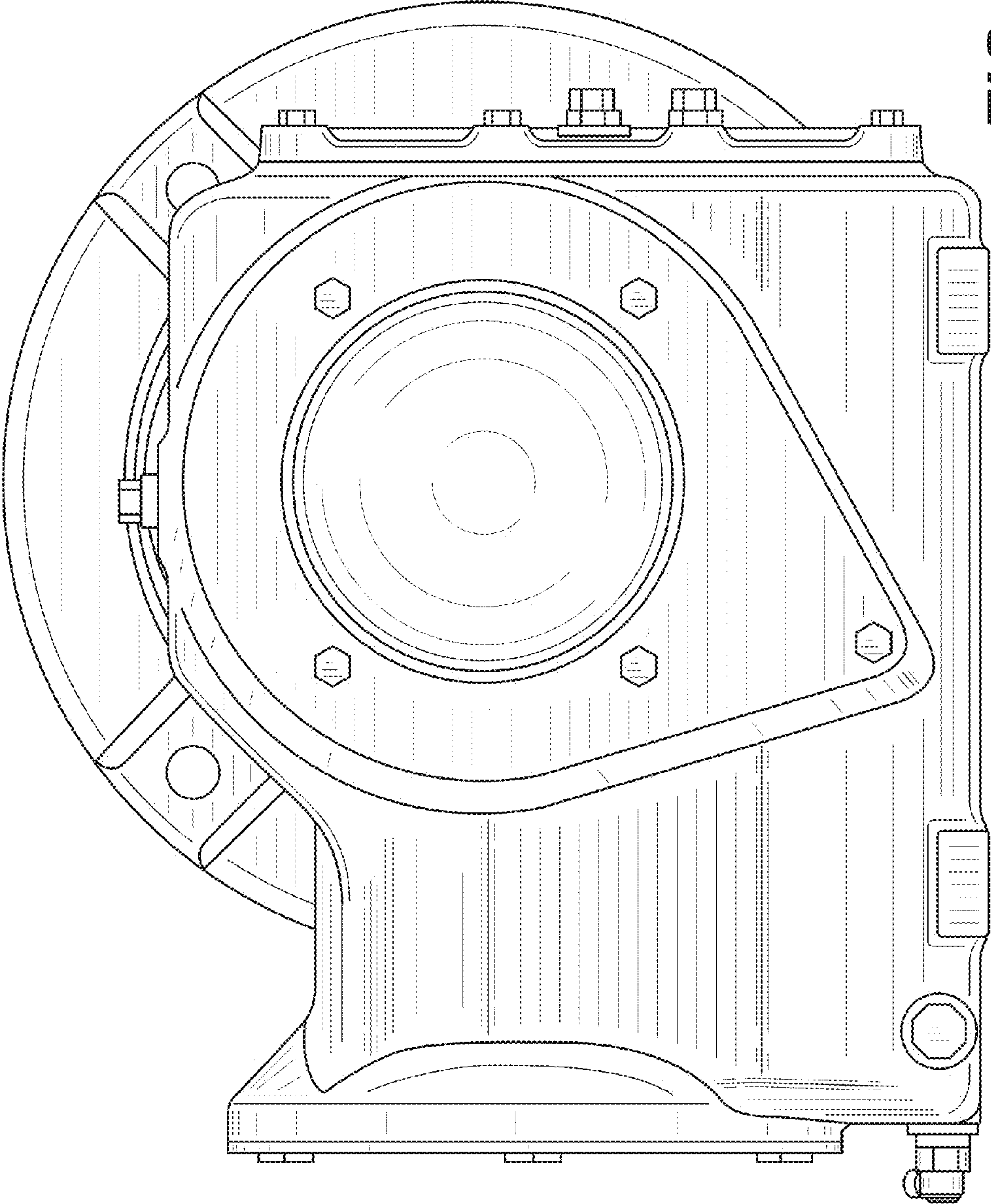


FIG. 3

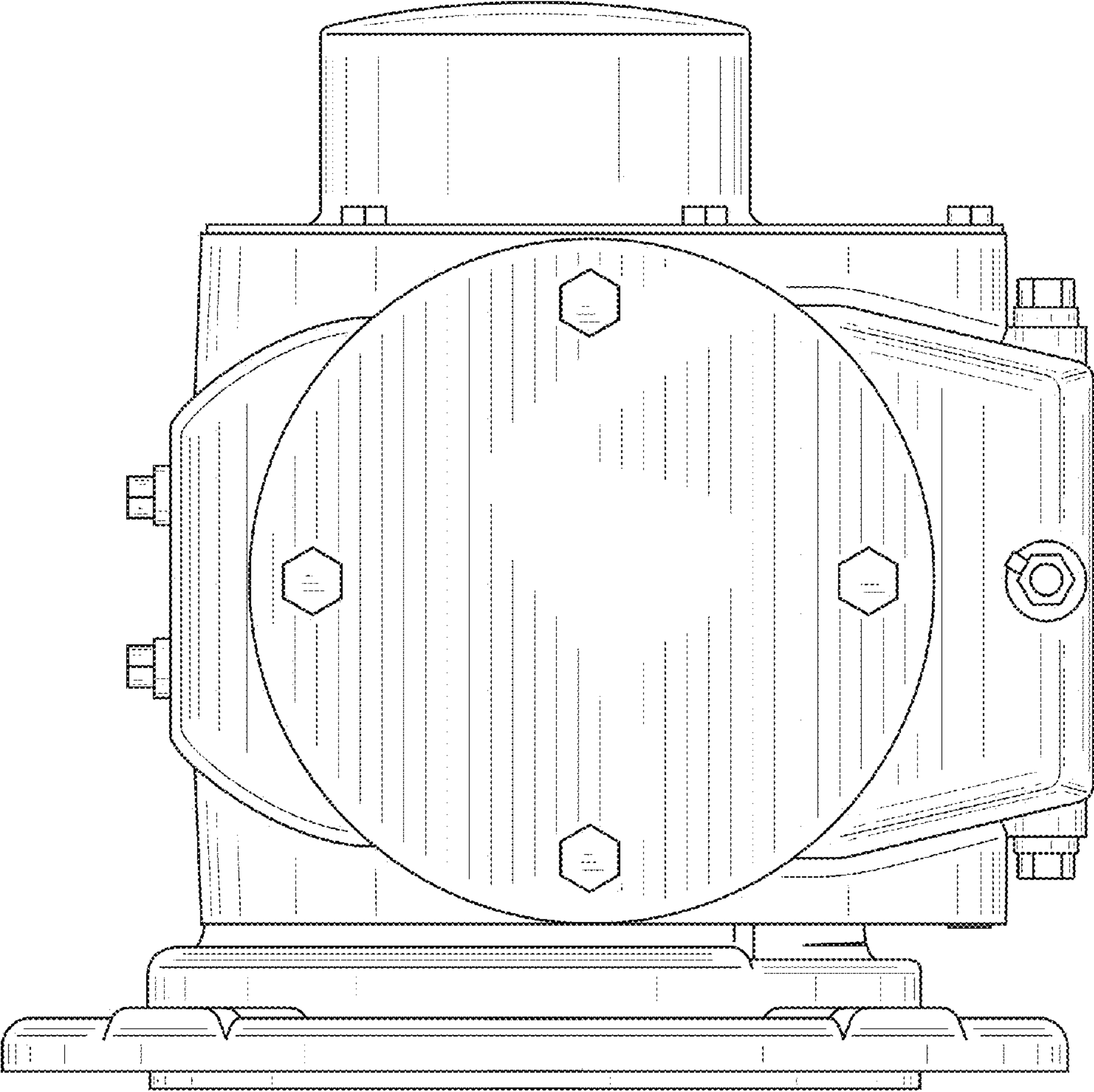


FIG. 4

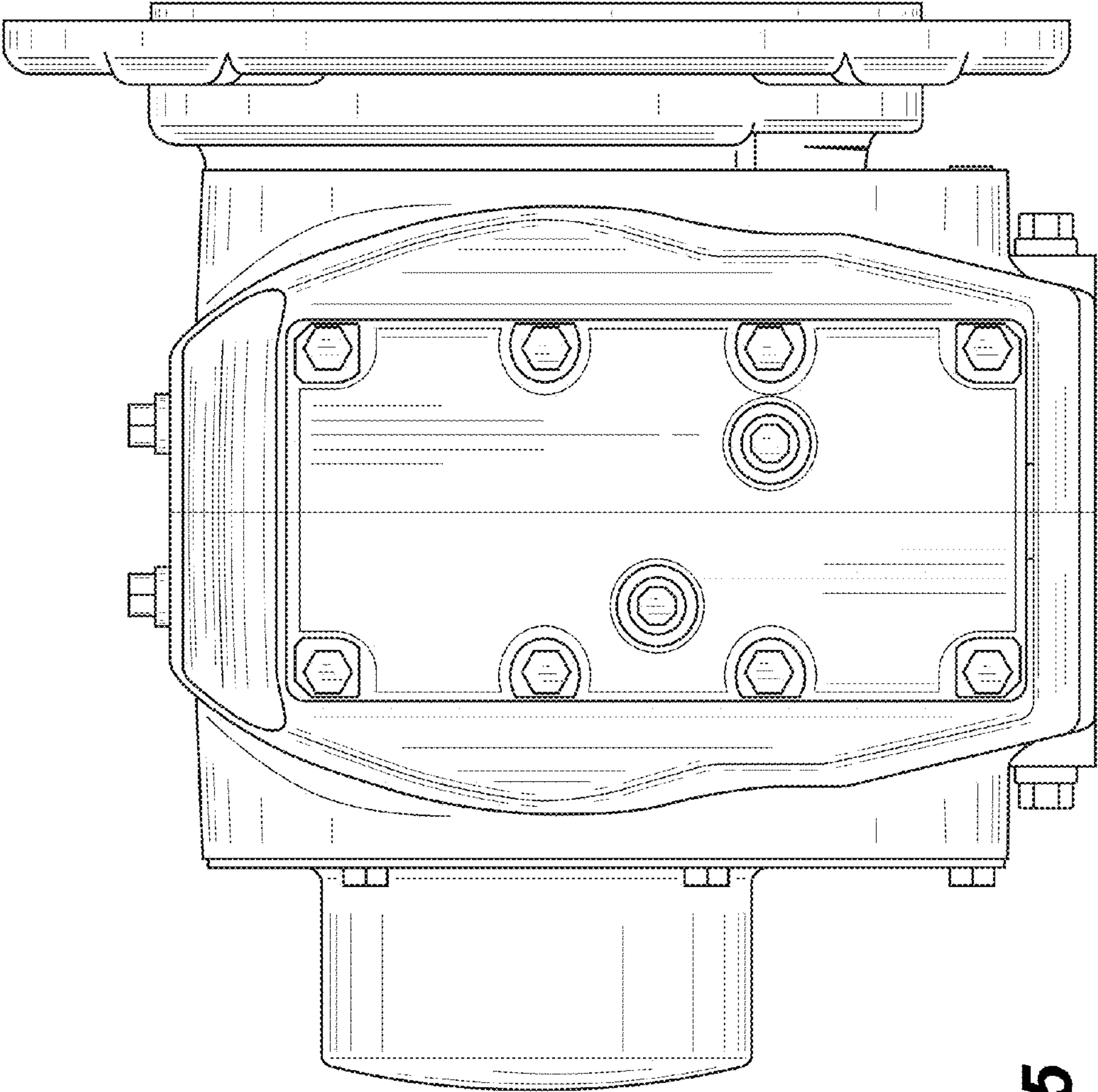


FIG. 5

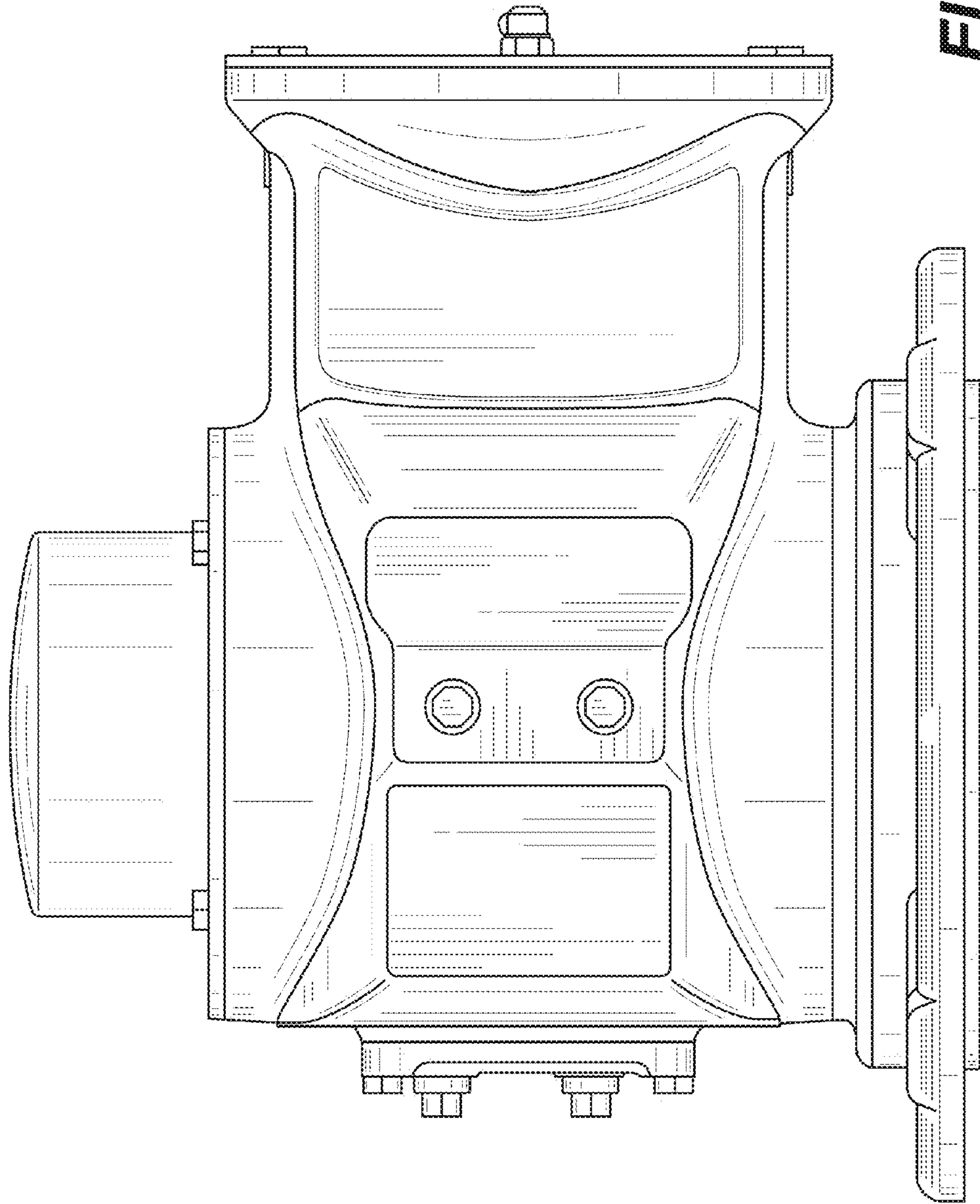


FIG. 6

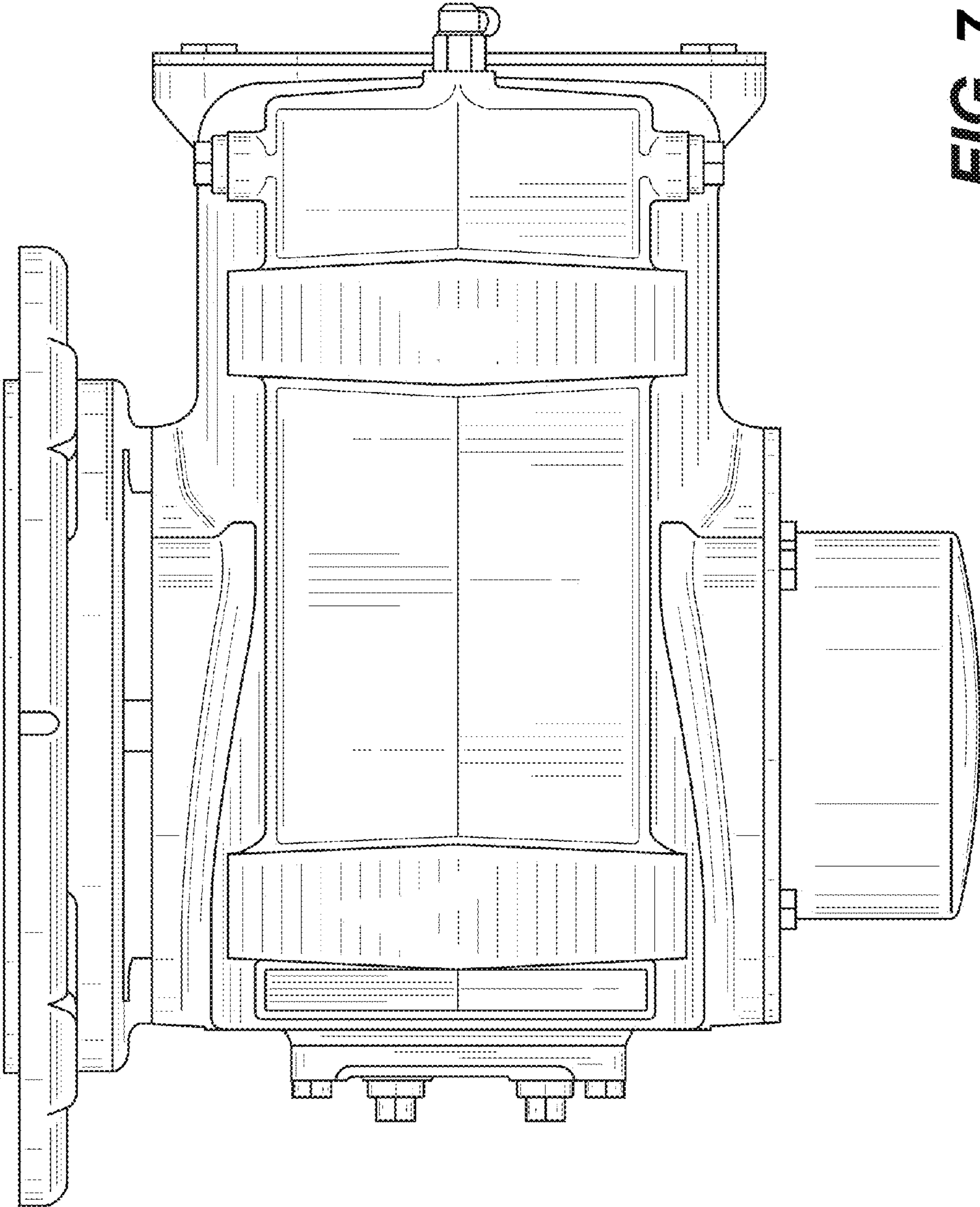


FIG. 7