

US00D697099S

(12) **United States Design Patent**  
**Berengut et al.**

(10) **Patent No.:** **US D697,099 S**  
(45) **Date of Patent:** **\*\* Jan. 7, 2014**

(54) **ELECTRICAL MACHINERY HOUSING**

OTHER PUBLICATIONS

(75) Inventors: **Jon Berengut**, Surry Hills (AU); **Oliver Kratzer**, Surry Hills (AU)

Ensitech TIG Brush Weld Cleaning System, at <http://www.ensitech.com.au> (last visited Jul. 30, 2012).

(73) Assignee: **Ensitech IP Pty Limited**, Emu Heights, New South Wales (AU)

\* cited by examiner

(\*\*) Term: **14 Years**

*Primary Examiner* — Patricia Palasik

(21) Appl. No.: **29/422,022**

(74) *Attorney, Agent, or Firm* — TraskBritt, P.C.

(22) Filed: **May 15, 2012**

(30) **Foreign Application Priority Data**

Nov. 15, 2011 (AU) ..... 2011/14662

(51) **LOC (10) Cl.** ..... **15-09**

(52) **U.S. Cl.**  
USPC ..... **D15/144**

(58) **Field of Classification Search**  
USPC ..... D8/29.1, 30; D15/144, 144.1, 144.2;  
219/125.1, 130, 130.5, 132, 133, 241,  
219/424, 606; 222/146.5, 152, 156, 189.06,  
222/397; 228/8, 20, 51, 111.5  
See application file for complete search history.

(56) **References Cited**

**U.S. PATENT DOCUMENTS**

D357,927 S \* 5/1995 Soderholm ..... D15/144.1  
D626,576 S \* 11/2010 Gramatyka et al. .... D15/144  
D642,604 S \* 8/2011 Rohrer et al. .... D15/144  
D654,519 S \* 2/2012 Wujczak et al. .... D15/144  
D665,833 S \* 8/2012 Raymond et al. .... D15/144  
2004/0178183 A1 \* 9/2004 Cigelske, Jr. .... 219/130.1  
2004/0226930 A1 \* 11/2004 Radtke ..... 219/130.1

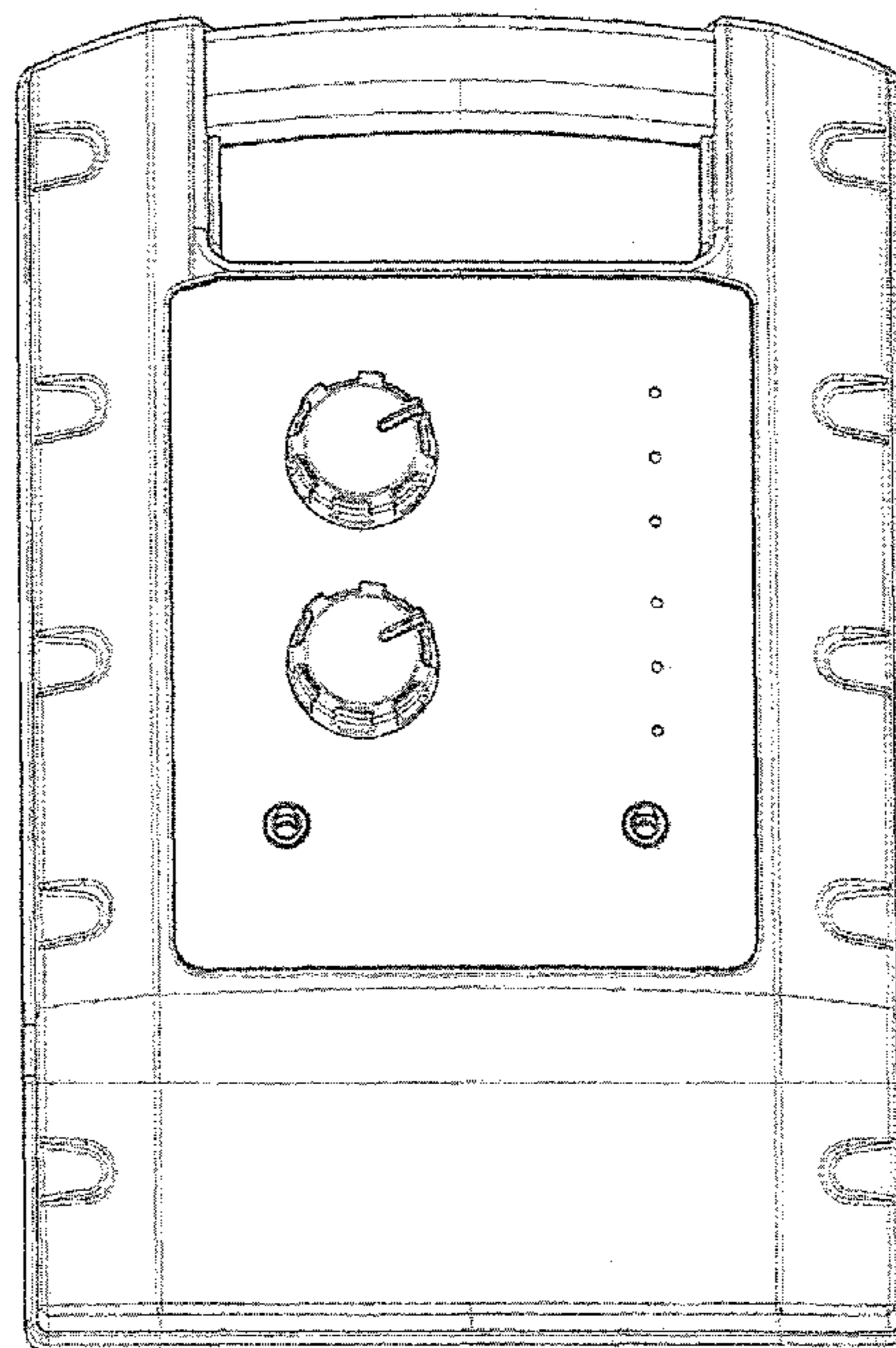
(57) **CLAIM**

The ornamental design for an electrical machinery housing, as shown and described.

**DESCRIPTION**

FIG. 1 is a front view showing an embodiment of the design; FIG. 2 is a rear view showing an embodiment of the design; FIG. 3 is a left side view showing an embodiment of the design; FIG. 4 is a right side view showing an embodiment of the design; FIG. 5 is a top view showing an embodiment of the design; FIG. 6 is a bottom view showing an embodiment of the design; FIG. 7 is a front left perspective view showing an embodiment of the design; FIG. 8 is a front right perspective view showing an embodiment of the design; FIG. 9 is a rear left perspective view showing an embodiment of the design; and, FIG. 10 is a rear right perspective view showing an embodiment of the design.

**1 Claim, 10 Drawing Sheets**



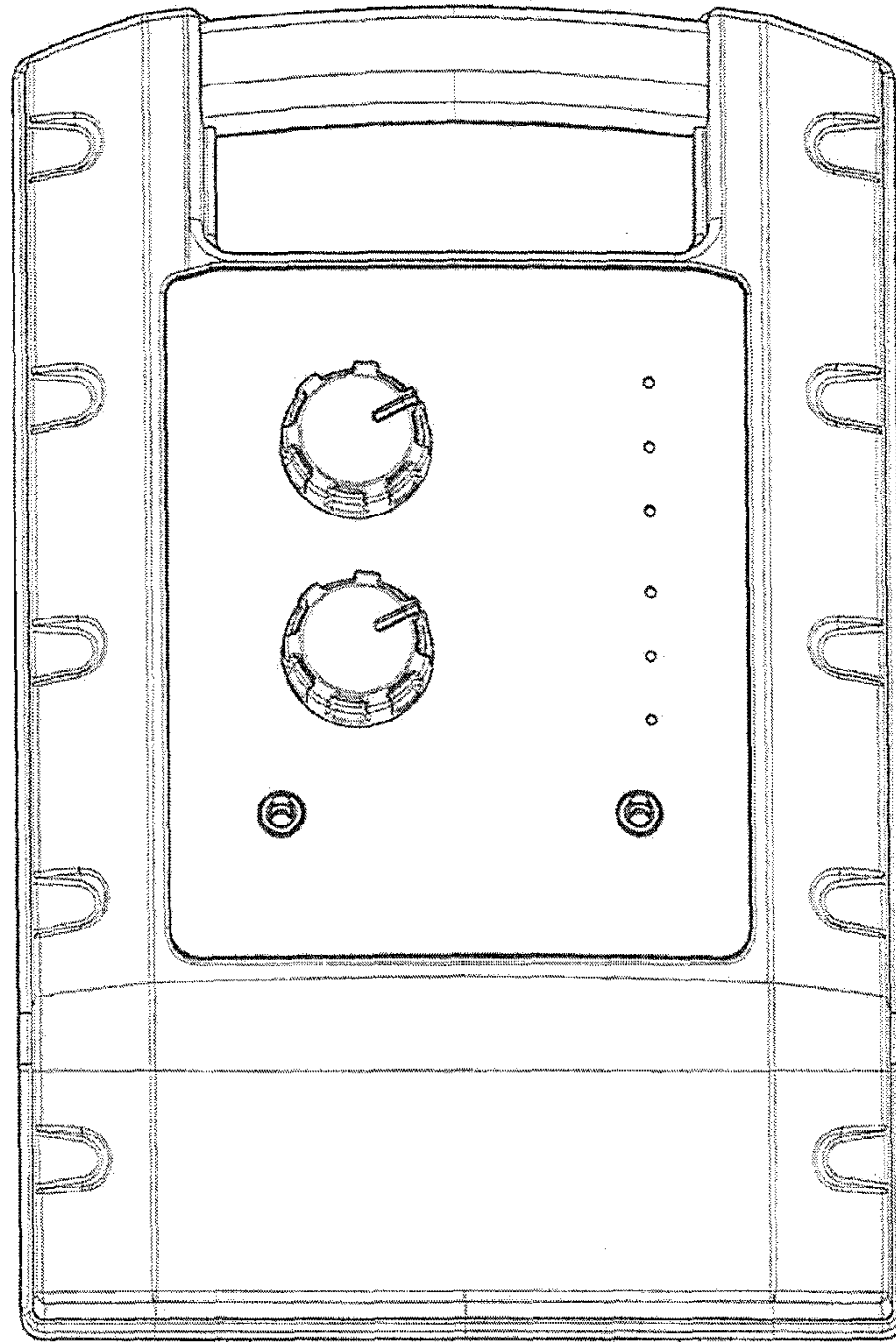


FIG. 1



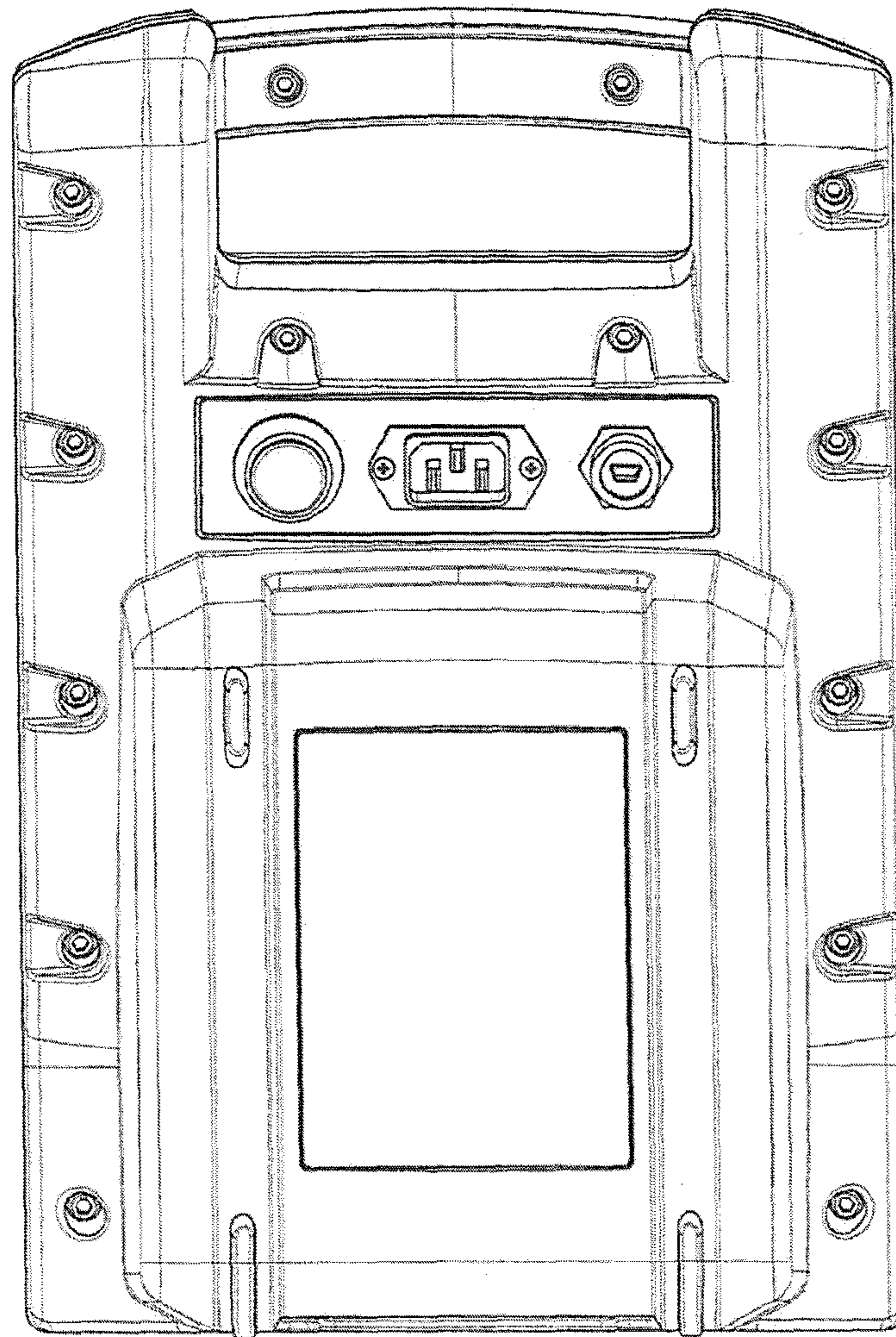


FIG. 2

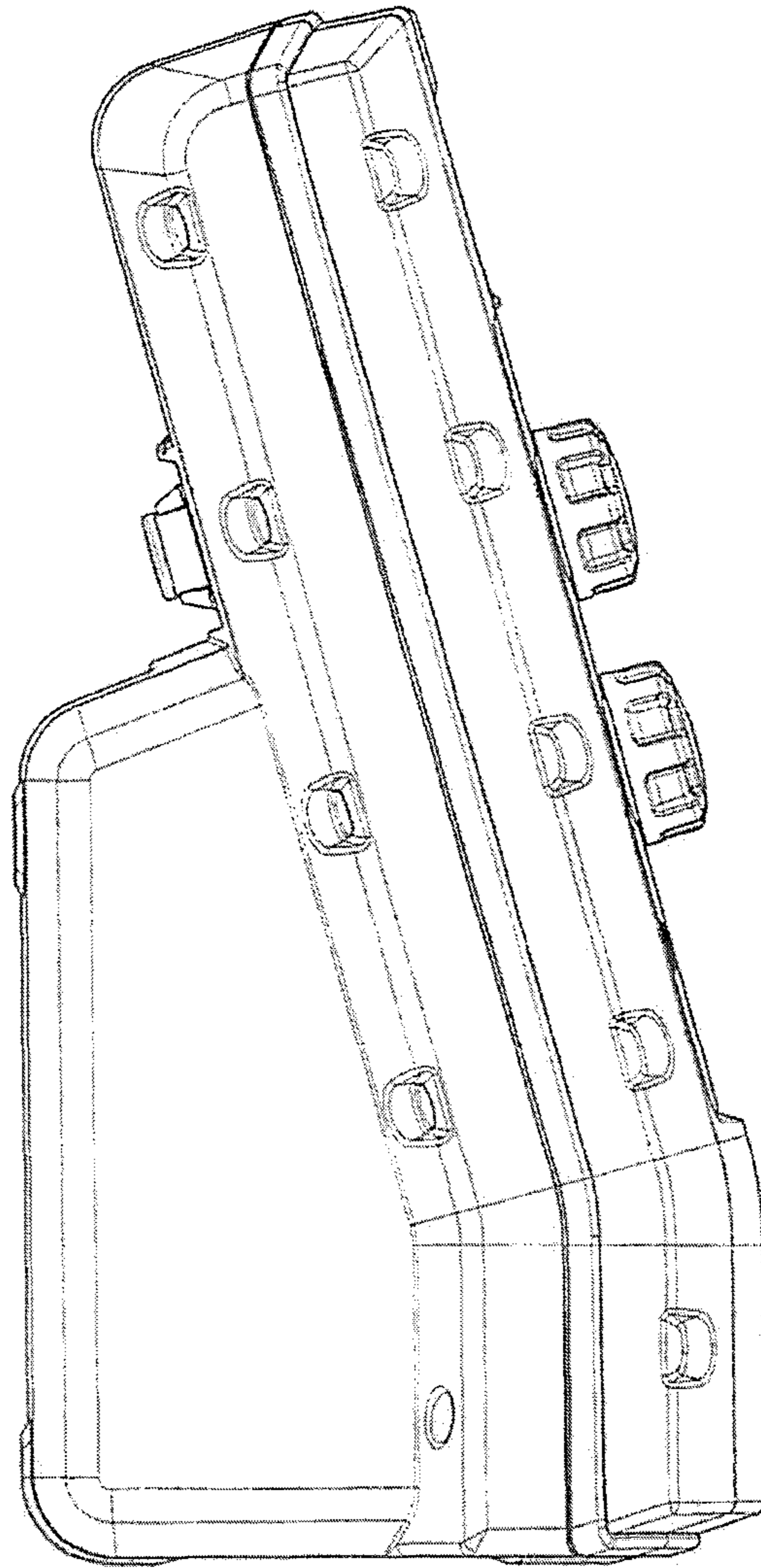


FIG. 3

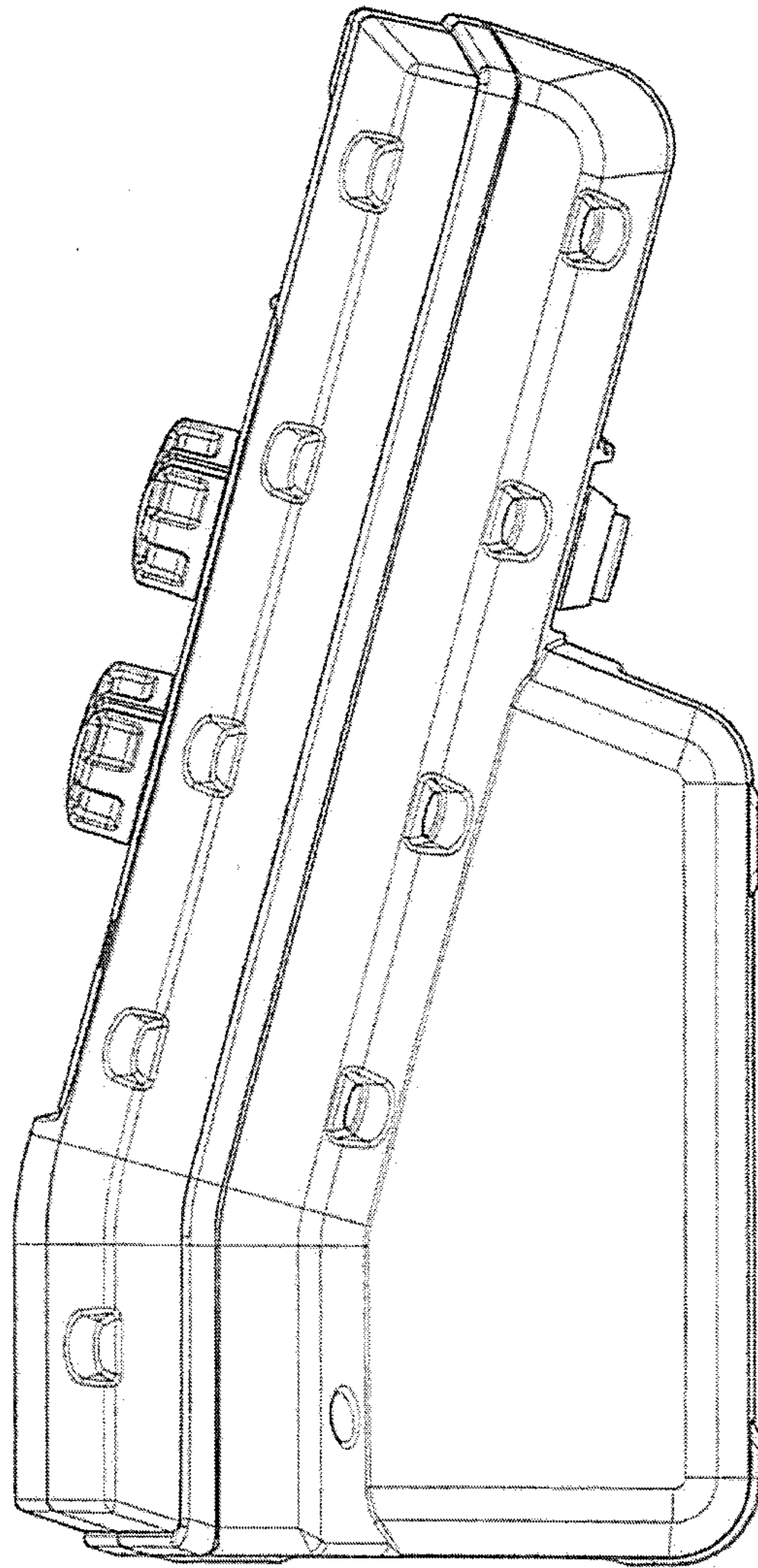


FIG. 4

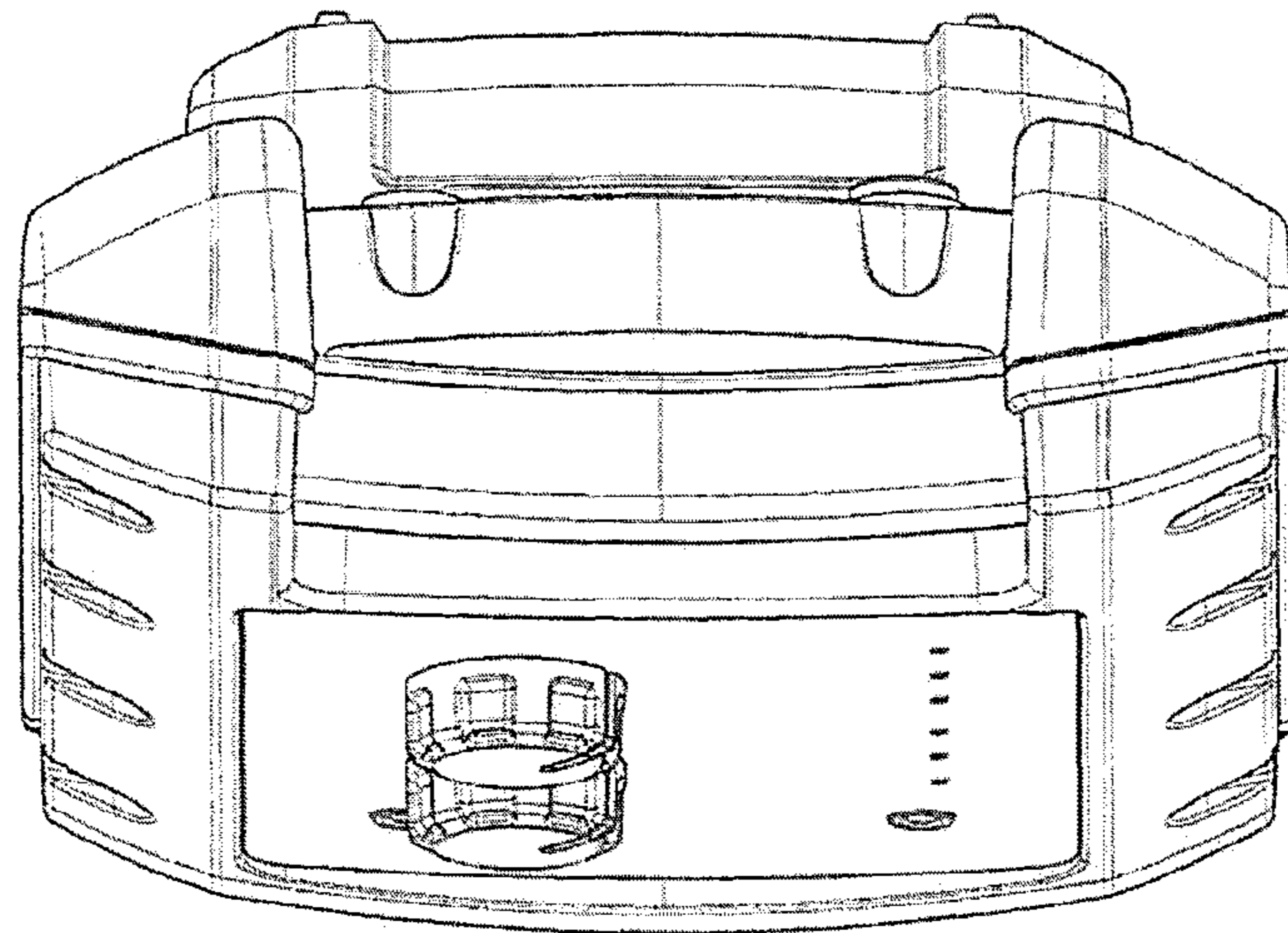


FIG. 5



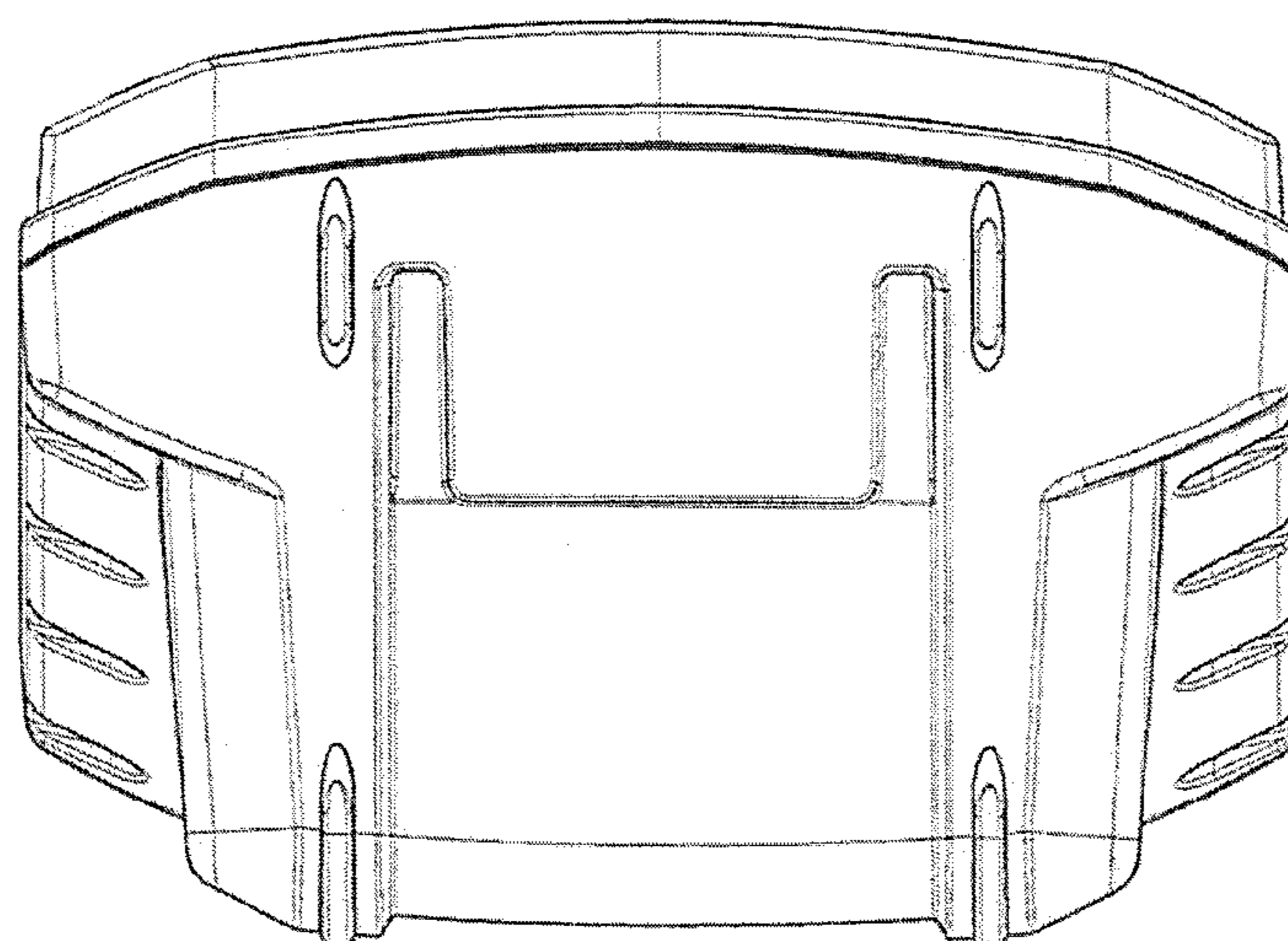


FIG. 6

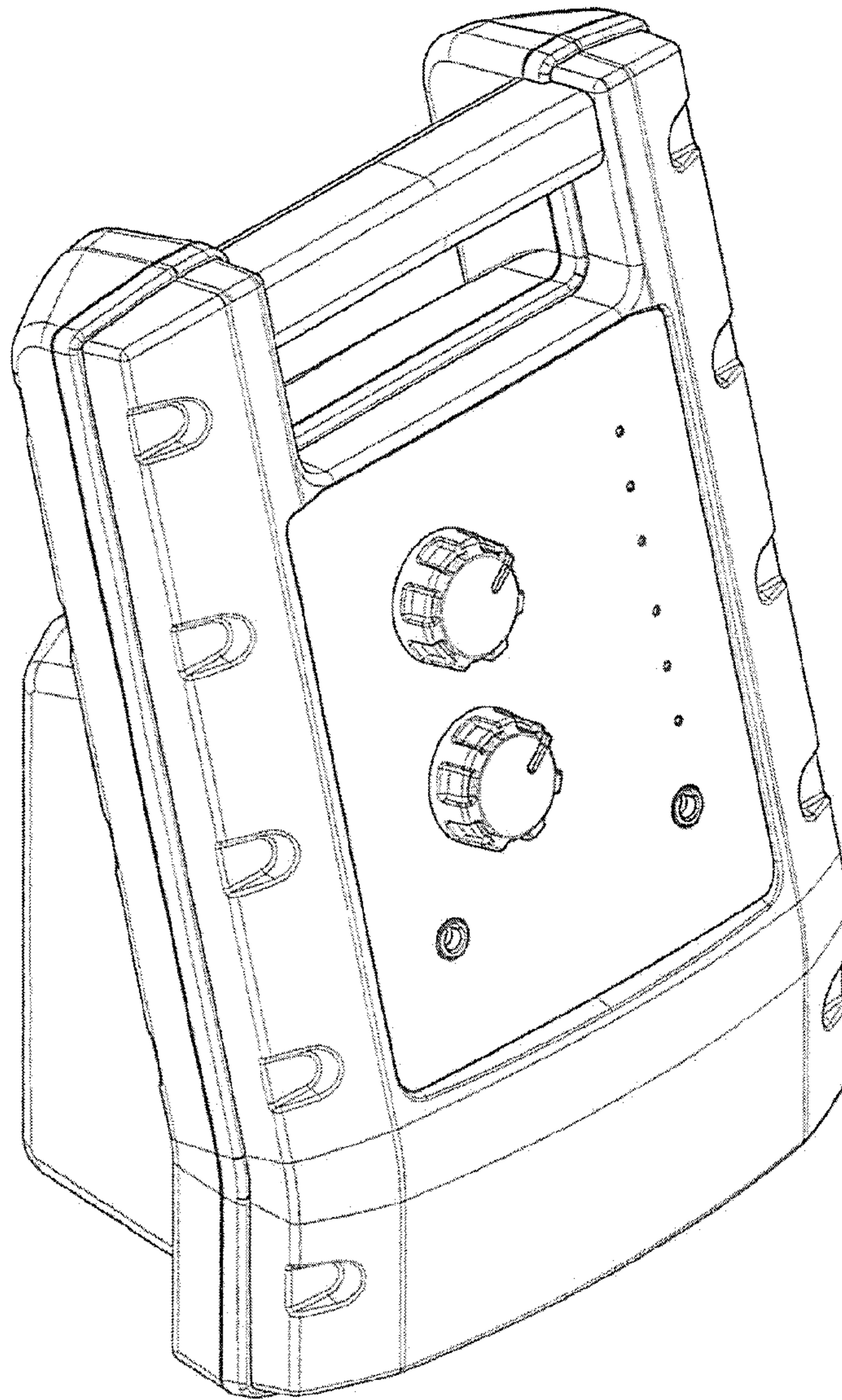


FIG. 7



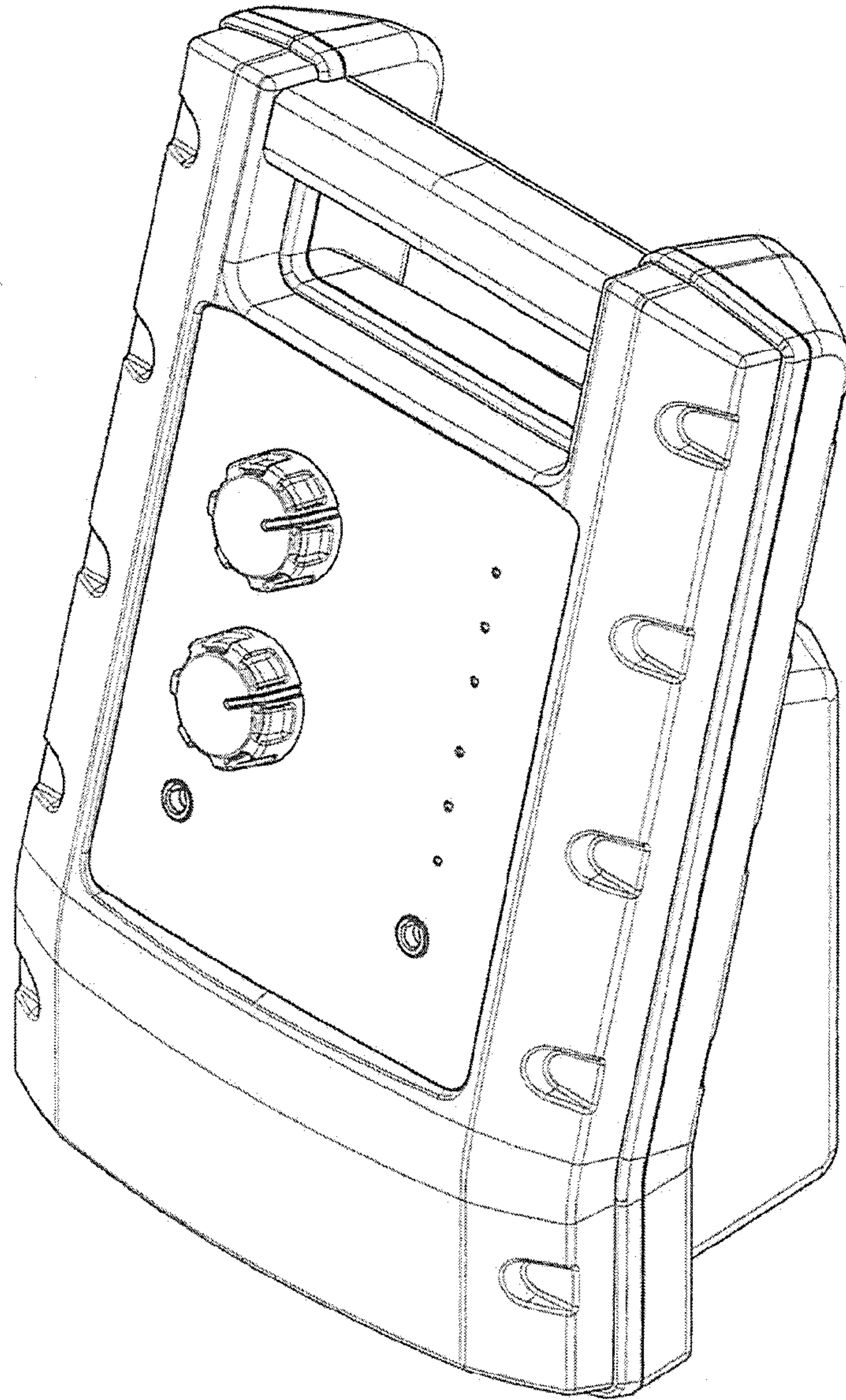


FIG. 8



FIG. 9

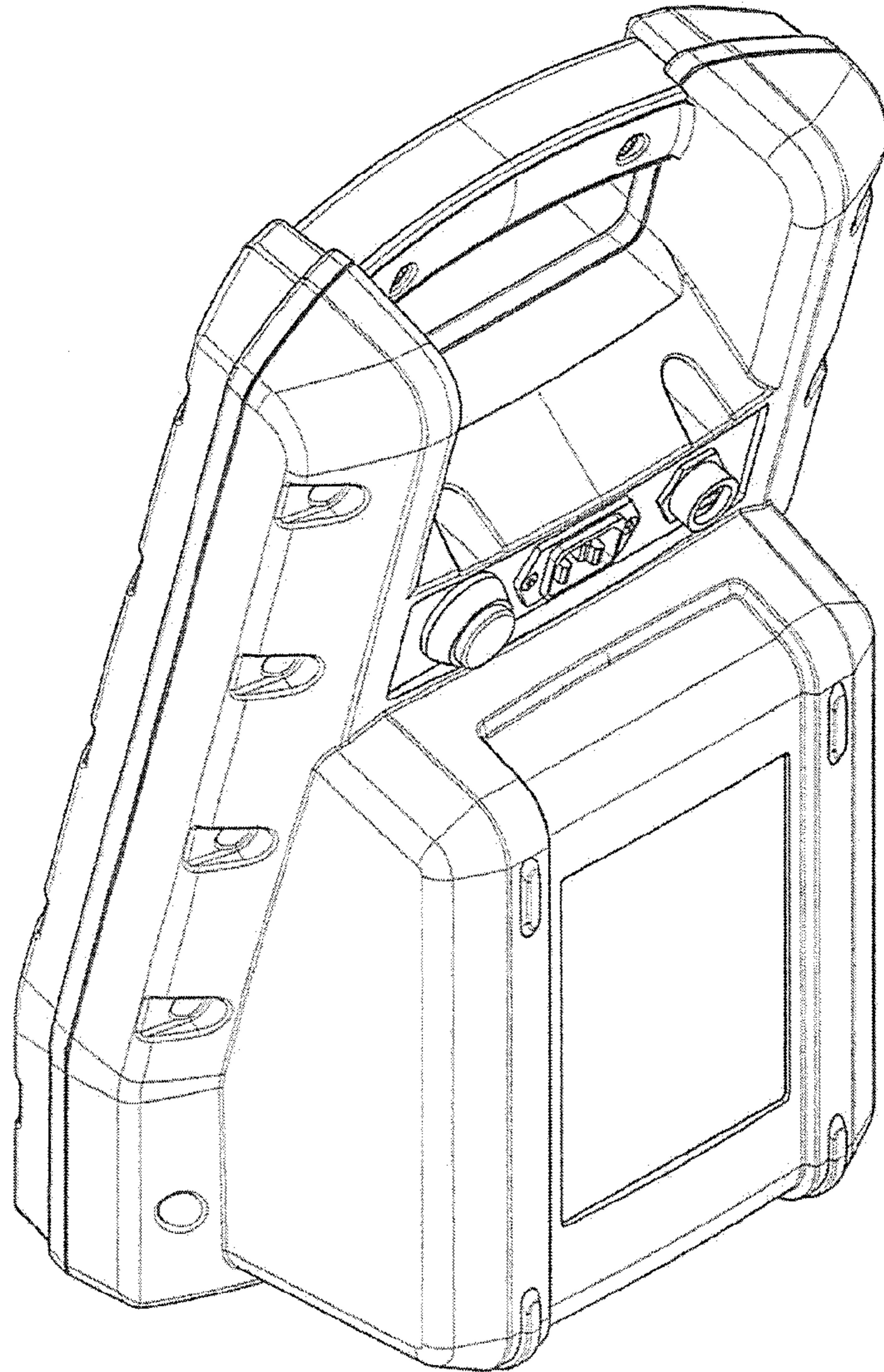


FIG. 10