



US00D697098S

(12) **United States Design Patent**
Hare et al.

(10) **Patent No.:** **US D697,098 S**
(45) **Date of Patent:** **** *Jan. 7, 2014**

- (54) **AUGER HANDLE BAR**
- (75) Inventors: **David Hare**, Comstock, WI (US);
Robert J. Ruppel, Cumberland, WI (US)
- (73) Assignee: **Ardisam, Inc.**, Cumberland, WI (US)
- (*) Notice: This patent is subject to a terminal disclaimer.
- (**) Term: **14 Years**
- (21) Appl. No.: **29/429,832**
- (22) Filed: **Aug. 17, 2012**
- (51) **LOC (10) Cl.** **15-09**
- (52) **U.S. Cl.**
USPC **D15/138**
- (58) **Field of Classification Search**
USPC D3/12, 17; D6/417; D8/388, 391;
D15/138; D21/840; 135/15.1, 16, 44,
135/118; 173/28, 148, 184; 175/18, 28, 57,
175/62, 170, 184, 323, 385, 394; 248/156,
248/533; 299/24; 405/132, 137; 408/86,
408/230
See application file for complete search history.

D487,416	S	*	3/2004	Lin	D12/179
7,065,837	B2	*	6/2006	Kruepke	16/430
7,143,662	B2	*	12/2006	Hobson, Jr.	74/551.3
D542,810	S	*	5/2007	Tanaka et al.	D15/20
7,226,058	B2	*	6/2007	Bouchard	280/15
D602,318	S	*	10/2009	Chesness	D8/10
7,677,336	B2	*	3/2010	Gent	175/62
D626,388	S	*	11/2010	Greenly et al.	D8/10
2001/0002967	A1	*	6/2001	Hedlund	404/133.05
2002/0175005	A1	*	11/2002	Chou	175/394
2003/0175078	A1	*	9/2003	Sina et al.	404/133.1
2005/0000736	A1	*	1/2005	Maki	175/394
2006/0254818	A1	*	11/2006	Pepple	175/18
2012/0073877	A1	*	3/2012	Jakubczak et al.	175/57
2012/0318577	A1	*	12/2012	Ruppel et al.	175/18
2013/0014996	A1	*	1/2013	Ruppel et al.	175/170

* cited by examiner

Primary Examiner — Patricia Palasik

(74) *Attorney, Agent, or Firm* — Stoel Rives LLP

(57) **CLAIM**

The ornamental design for an auger handle bar, as shown and described.

DESCRIPTION

FIG. 1 is an isometric view of an auger handle bar showing the new design;

FIG. 2 is a front elevation view thereof, the back elevation view thereof being a mirror image of the front elevation view;

FIG. 3 is a left elevation view thereof, the right elevation view thereof being a mirror image of the left elevation view thereof;

FIG. 4 is a top plan view thereof;

FIG. 5 is a bottom plan view thereof; and,

FIG. 6 is another left elevation view of the auger handle bar of FIGS. 1-5 illustrating environment.

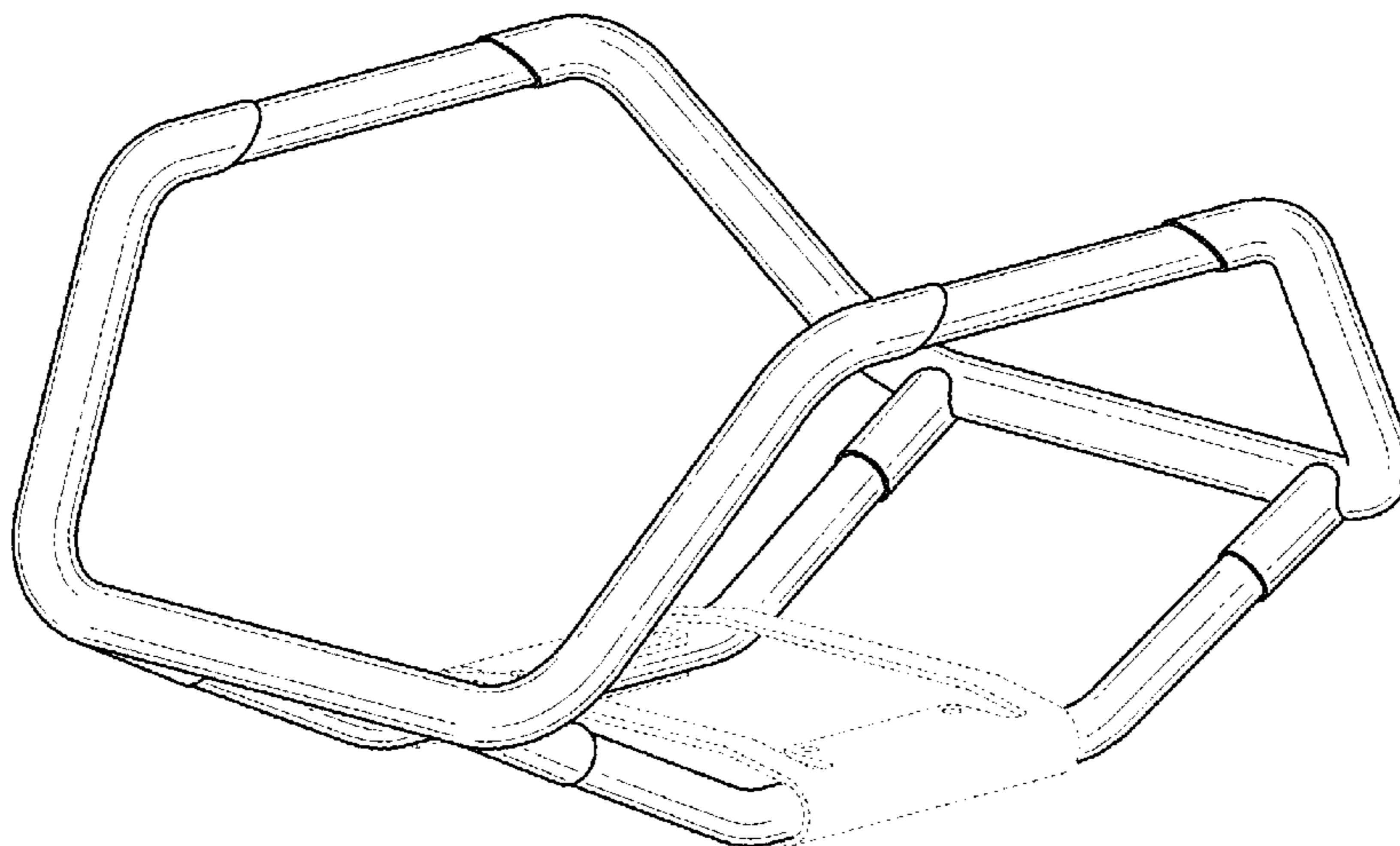
The broken lines in FIGS. 1-6 are for illustrative purposes only and form no part of the claimed design.

1 Claim, 5 Drawing Sheets

(56) **References Cited**

U.S. PATENT DOCUMENTS

3,080,006	A	*	3/1963	Brolin	175/18
D215,497	S	*	10/1969	Frohnauer	D15/20
D263,293	S	*	3/1982	Janson	D12/178
D307,257	S	*	4/1990	Tsai	D12/178
D337,748	S	*	7/1993	Adams	D12/178
D384,925	S	*	10/1997	Pawsat et al.	D12/178
5,673,761	A	*	10/1997	Berner	175/18
5,733,071	A	*	3/1998	Shudo	405/271
6,076,617	A	*	6/2000	Berner	175/18
6,626,250	B1	*	9/2003	Ham	175/18



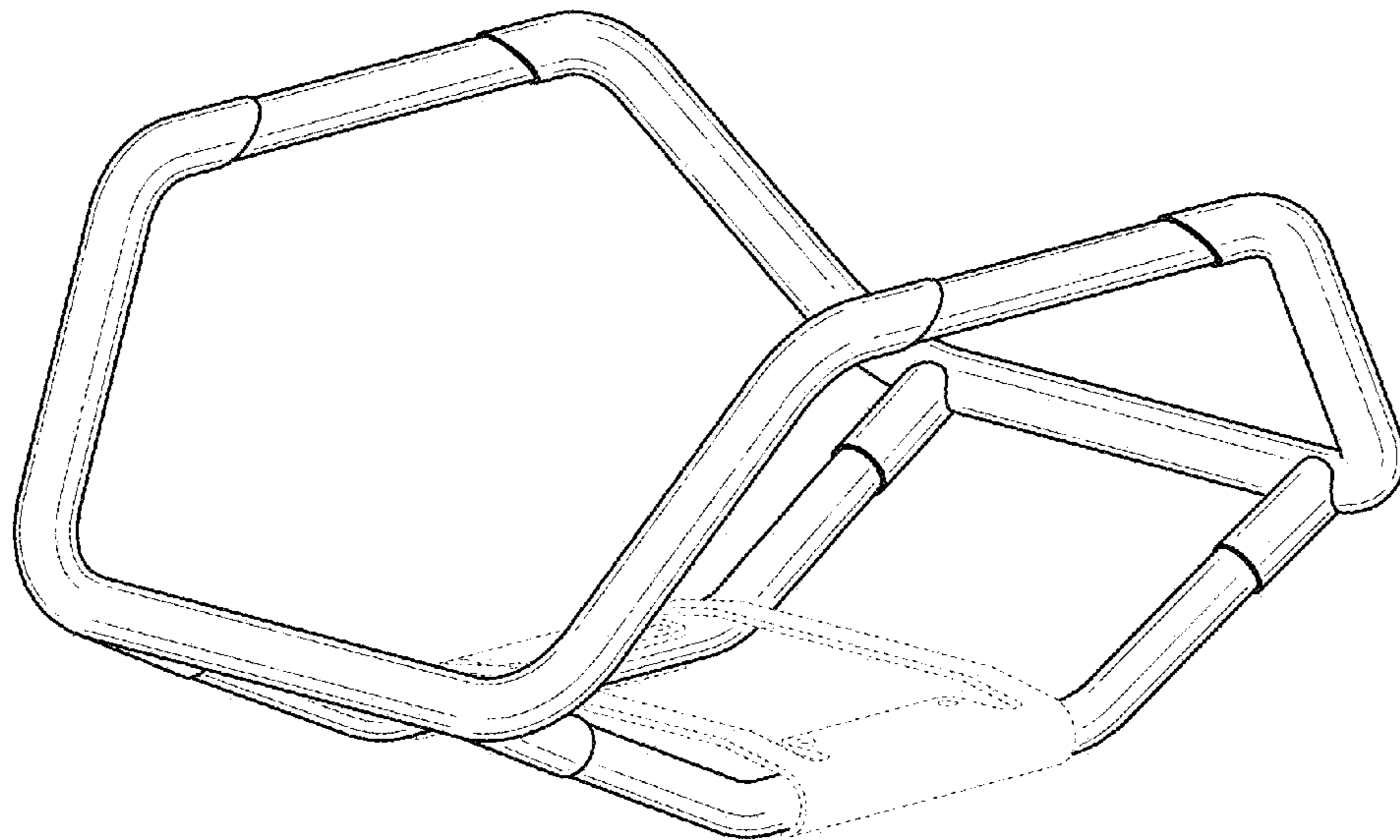


Fig. 1

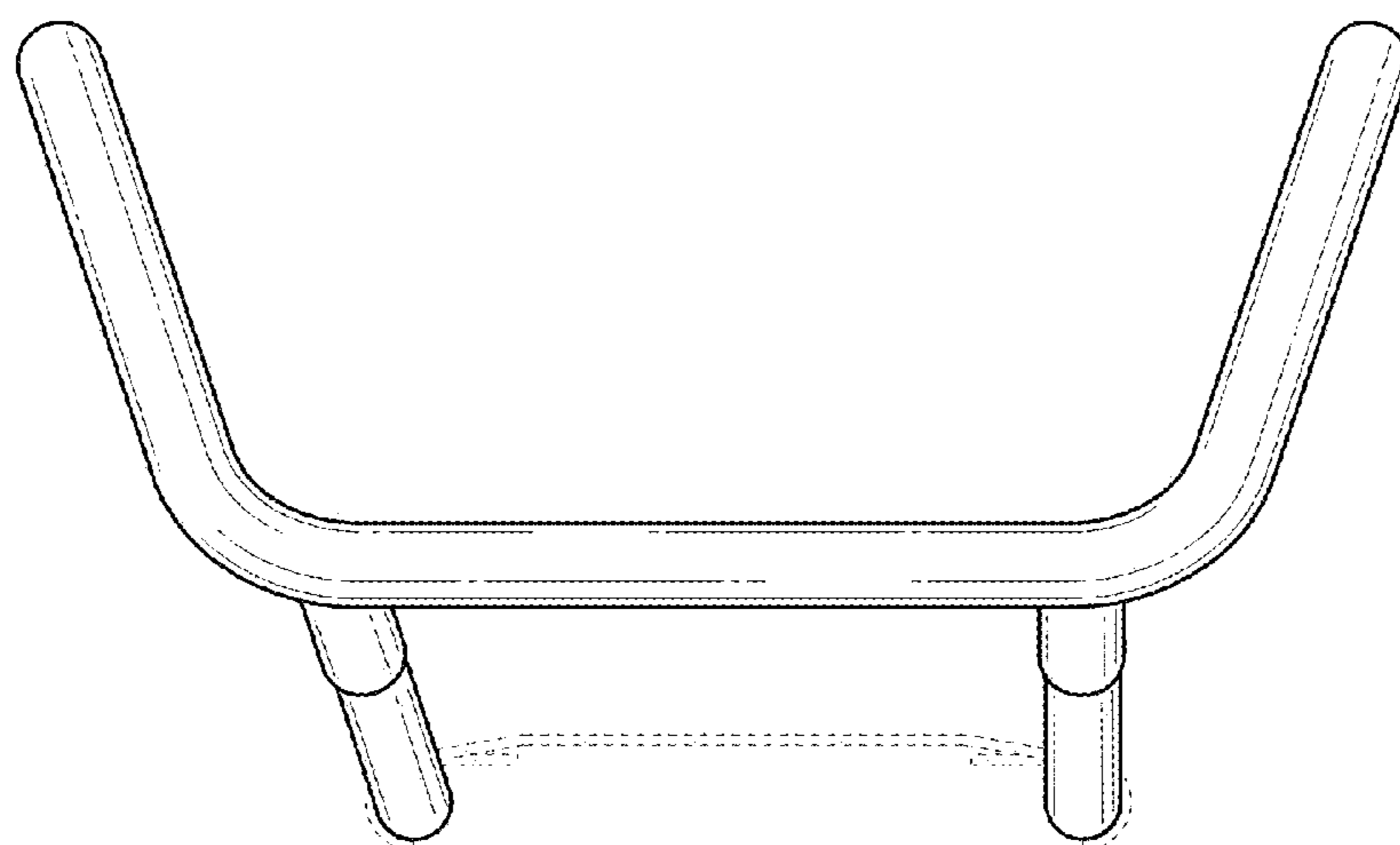


Fig. 2

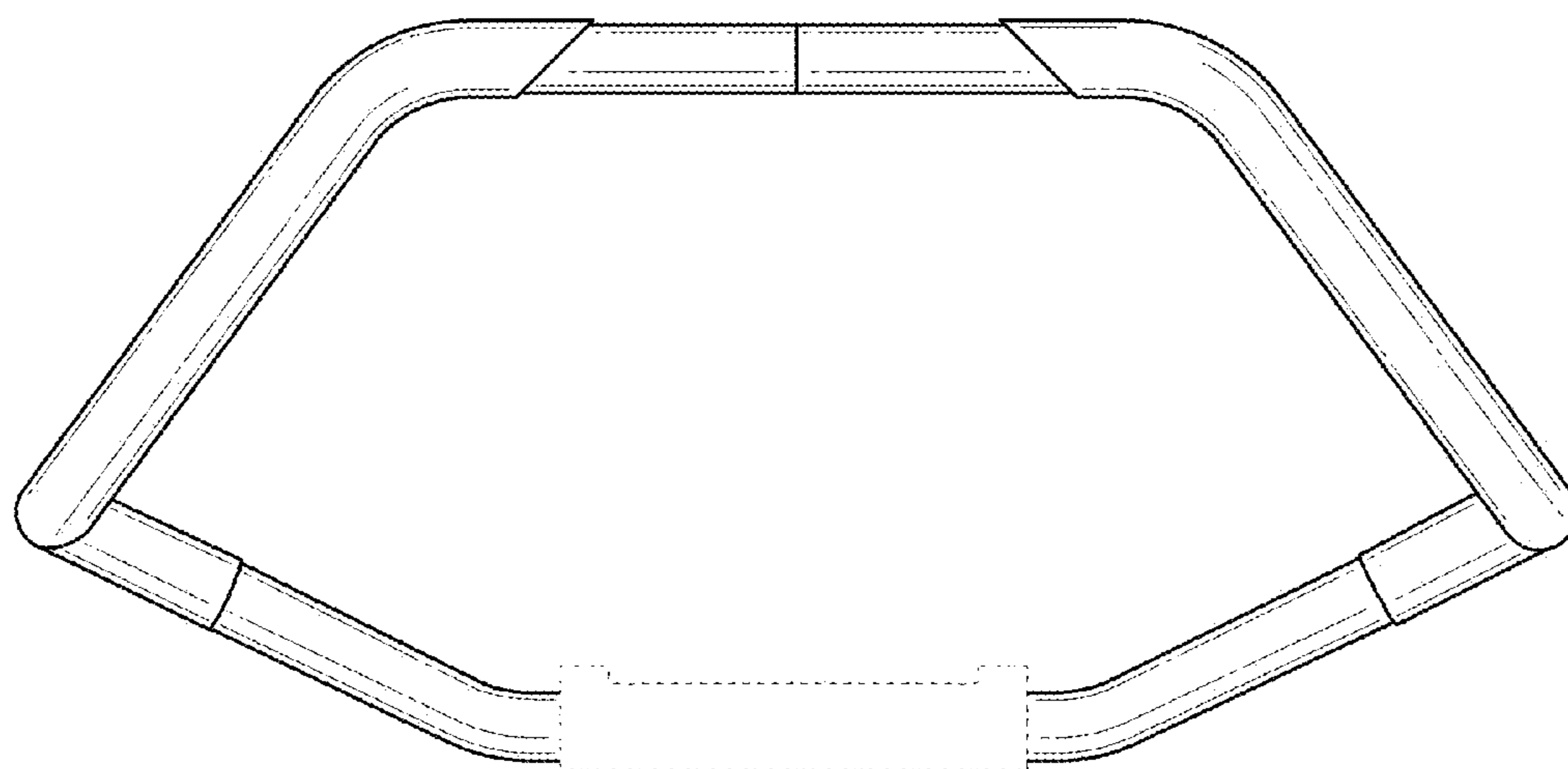


Fig. 3

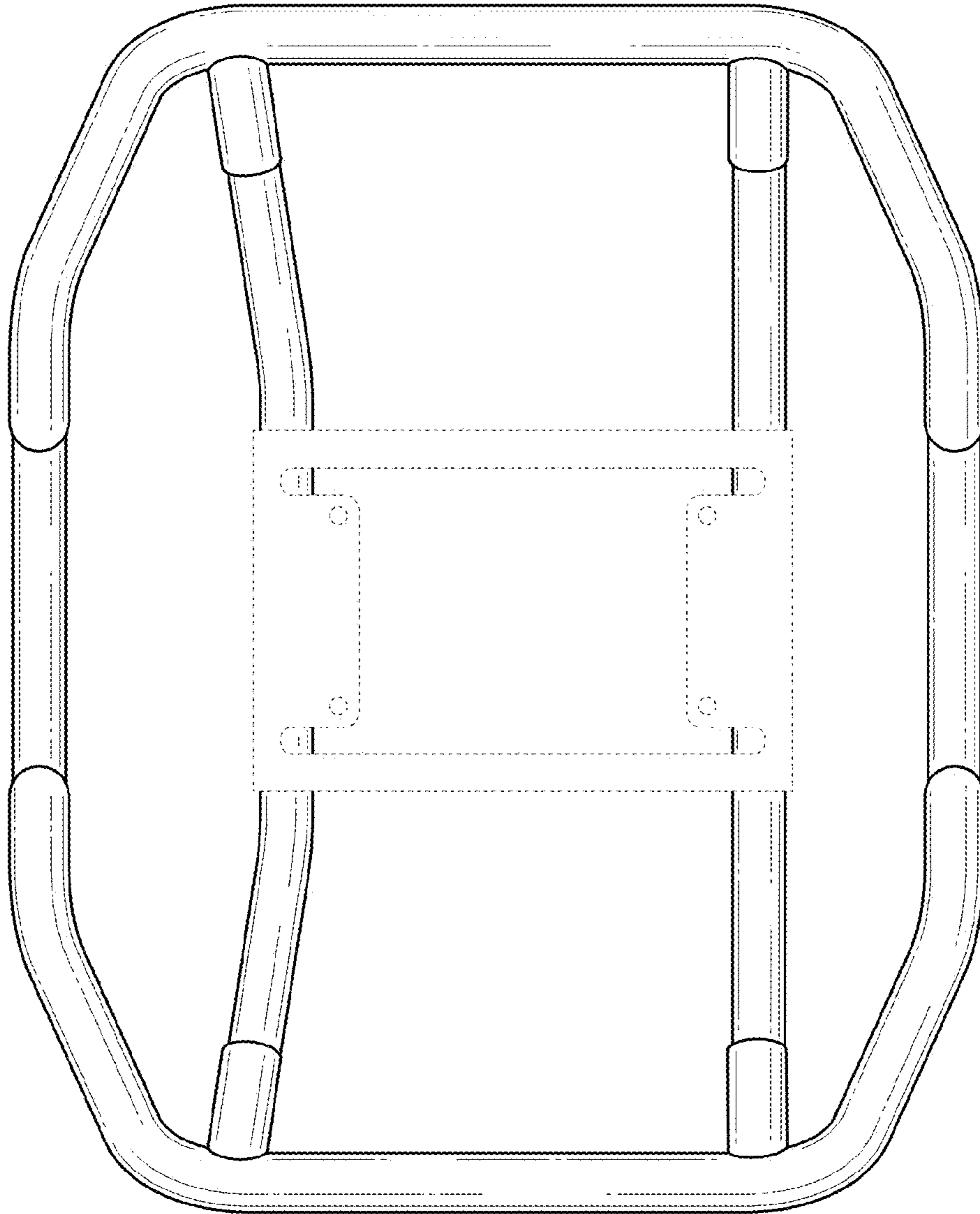


Fig. 4

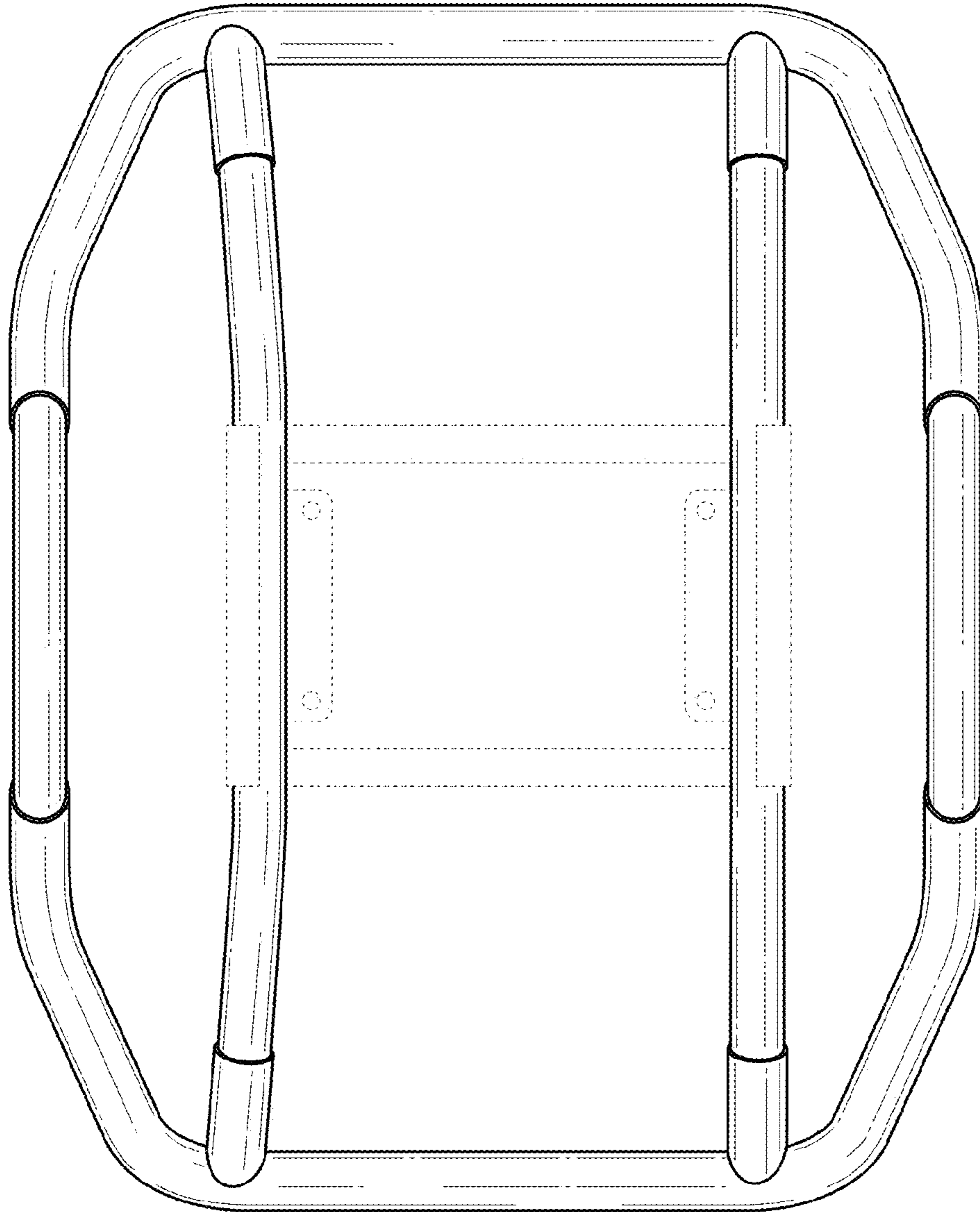


Fig. 5

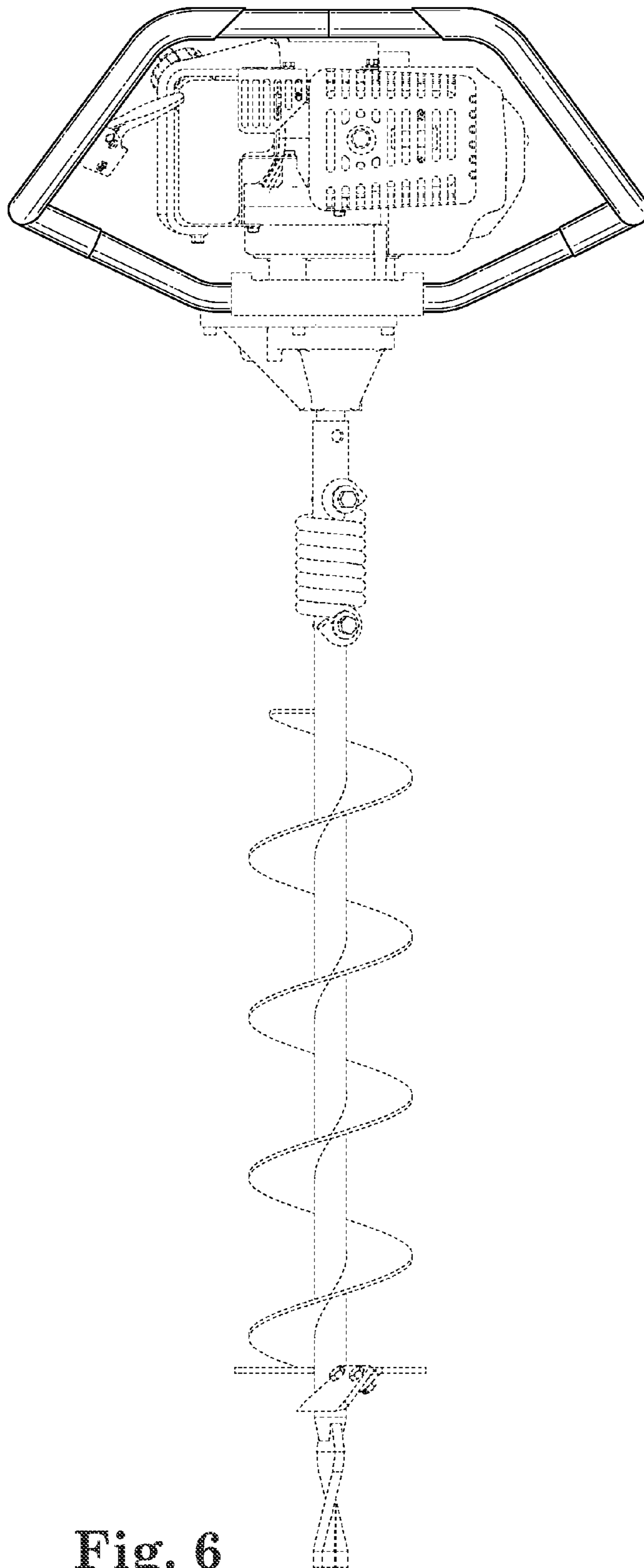


Fig. 6