

US00D697091S

(12) **United States Design Patent**
Kopacz et al.

(10) **Patent No.:** **US D697,091 S**
(45) **Date of Patent:** **** Jan. 7, 2014**

- (54) **SET OF TAMPER BARS**
- (71) Applicant: **Caterpillar Inc.**, Peoria, IL (US)
- (72) Inventors: **Jason W. Kopacz**, St. Louis Park, MN (US); **Tobin D. Rasmusson**, Bloomington, MN (US)
- (73) Assignee: **Caterpillar Paving Products Inc.**, Minneapolis, MN (US)
- (**) Term: **14 Years**
- (21) Appl. No.: **29/452,266**
- (22) Filed: **Apr. 15, 2013**
- (51) **LOC (10) Cl.** **15-03**
- (52) **U.S. Cl.**
USPC **D15/32; D15/28**
- (58) **Field of Classification Search**
USPC D15/10, 13, 19, 22-26, 28, 32, 20;
404/110, 101, 108, 75, 102, 118,
404/84.08, 105, 113, 114, 133.05, 133.1,
404/133.2, 96, 119; 405/271
See application file for complete search history.

2006/0045624	A1 *	3/2006	Nelson	404/95
2010/0310312	A1 *	12/2010	Mahler et al.	404/95
2011/0002737	A1 *	1/2011	Mahler et al.	404/118
2011/0002738	A1 *	1/2011	Mahler et al.	404/118
2011/0123269	A1 *	5/2011	Lutz	404/118

* cited by examiner

Primary Examiner — Mark Goodwin

(74) *Attorney, Agent, or Firm* — Finnegan, Henderson, Farabow, Garrett & Dunner LLP

(57) **CLAIM**

The ornamental design for a set of tamper bars, as shown and described.

DESCRIPTION

FIG. 1 is a rear top perspective view of a set of tamper bars, containing a left extender tamper bar, a left main tamper bar, a right main tamper bar, and a right extender tamper bar, showing our new design;

FIG. 2 is an enlarged front top perspective view of the left main tamper bar of FIG. 1, the right main tamper bar being a mirror image thereof;

FIG. 3 is an enlarged rear top perspective view of the left main tamper bar, the right main tamper bar being a mirror image thereof;

FIG. 4 is an enlarged front view of the left main tamper bar, the right main tamper bar being a mirror image thereof;

FIG. 5 is an enlarged rear view of the left main tamper bar, the right main tamper bar being a mirror image thereof;

FIG. 6 is an enlarged cross-sectional view of the left main tamper bar of FIG. 2 taken along the line 6-6 shown in FIG. 5 and FIG. 15, the right main tamper bar being a mirror image thereof;

FIG. 7 is an enlarged right side view of the left main tamper bar, the right main tamper bar being a mirror image thereof;

FIG. 8 is an enlarged left side view of the left main tamper bar, the right main tamper bar being a mirror image thereof;

FIG. 9 is an enlarged top view of the left main tamper bar, the right main tamper bar being a mirror image thereof;

FIG. 10 is an enlarged bottom view of the left main tamper bar, the right main tamper bar being a mirror image thereof;

(56) **References Cited**

U.S. PATENT DOCUMENTS

1,706,121	A *	3/1929	Laughlin, Sr. et al.	104/12
D184,987	S *	4/1959	Cooper	D15/20
D300,222	S *	3/1989	Rutherford	D15/28
D302,162	S *	7/1989	Rutherford	D15/28
5,366,320	A *	11/1994	Hanlon et al.	404/118
5,947,638	A *	9/1999	Heims	404/102
6,318,928	B1 *	11/2001	Swearingen	404/72
6,551,018	B2 *	4/2003	Baker et al.	404/102
6,857,815	B2 *	2/2005	Allen et al.	404/75
6,925,940	B2 *	8/2005	Ruban	104/10
7,108,449	B1 *	9/2006	Allen et al.	404/75
7,114,876	B1 *	10/2006	Allen et al.	404/112
7,651,295	B2 *	1/2010	Eppes et al.	404/84.05
8,157,474	B2 *	4/2012	Mahler et al.	404/95
8,371,770	B1 *	2/2013	Rasmusson et al.	404/102
2002/0141823	A1 *	10/2002	Baker et al.	404/102
2003/0231930	A1 *	12/2003	Allen et al.	404/72
2005/0253041	A1 *	11/2005	Hensley et al.	249/33

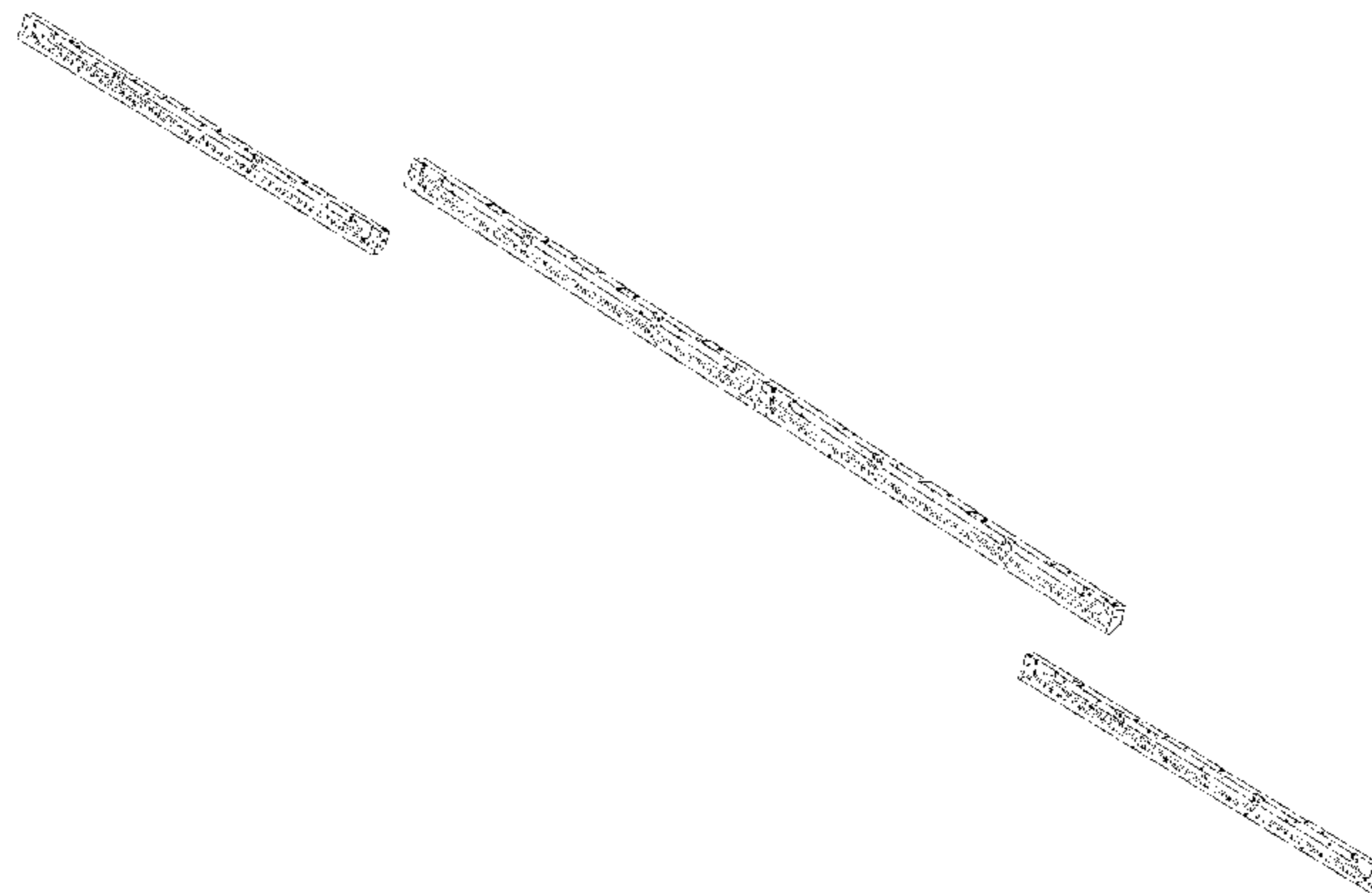


FIG. **11** is an enlarged view of the left main tamper bar of FIG. **3**, the right main tamper bar being a mirror image thereof;
FIG. **12** is an enlarged rear top perspective view of the left extender tamper bar of FIG. **1**, the right extender tamper bar being a mirror image thereof;
FIG. **13** is an enlarged front top perspective view of the left extender tamper bar, the right extender tamper bar being a mirror image thereof;
FIG. **14** is an enlarged front view of the left extender tamper bar, the right extender tamper bar being a mirror image thereof;
FIG. **15** is an enlarged rear view of the left extender tamper bar, the right extender tamper bar being a mirror image thereof;
FIG. **16** is an enlarged left side view of the left extender tamper bar, the right extender tamper bar being a mirror image thereof;

FIG. **17** is an enlarged right side view of the left extender tamper bar, the right extender tamper bar being a mirror image thereof;
FIG. **18** is an enlarged top view of the left extender tamper bar, the right extender tamper bar being a mirror image thereof;
FIG. **19** is an enlarged bottom view of the left extender tamper bar, the right extender tamper bar being a mirror image thereof; and,
FIG. **20** is an enlarged view of the left extender tamper bar of FIG. **12**, the right extender tamper bar being a mirror image thereof.
The portions depicted in broken lines of uneven length define the boundary of the claimed design. The portions depicted in broken lines of even length are environment and form no part of the claimed design.

1 Claim, 13 Drawing Sheets

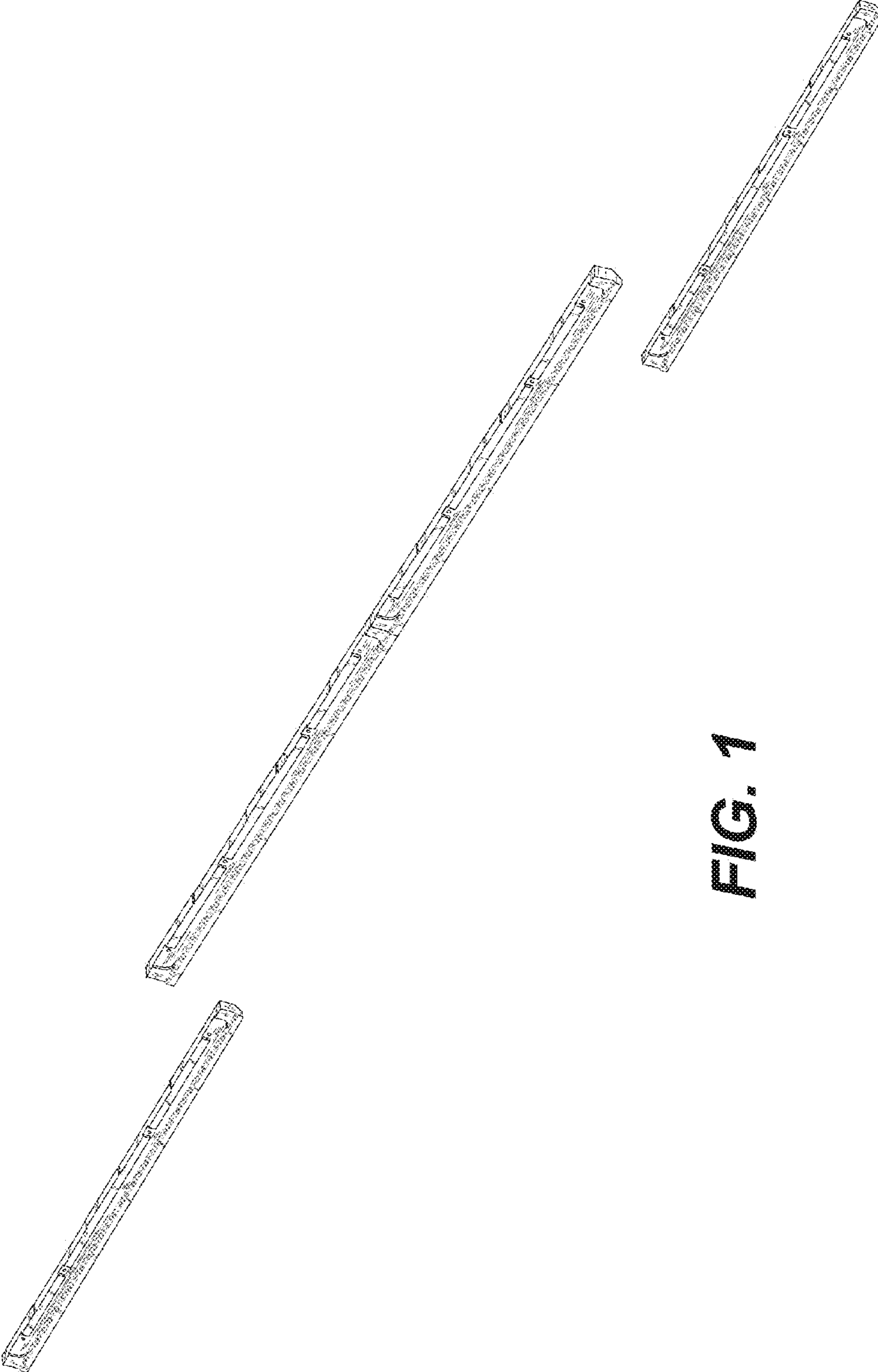


FIG. 1

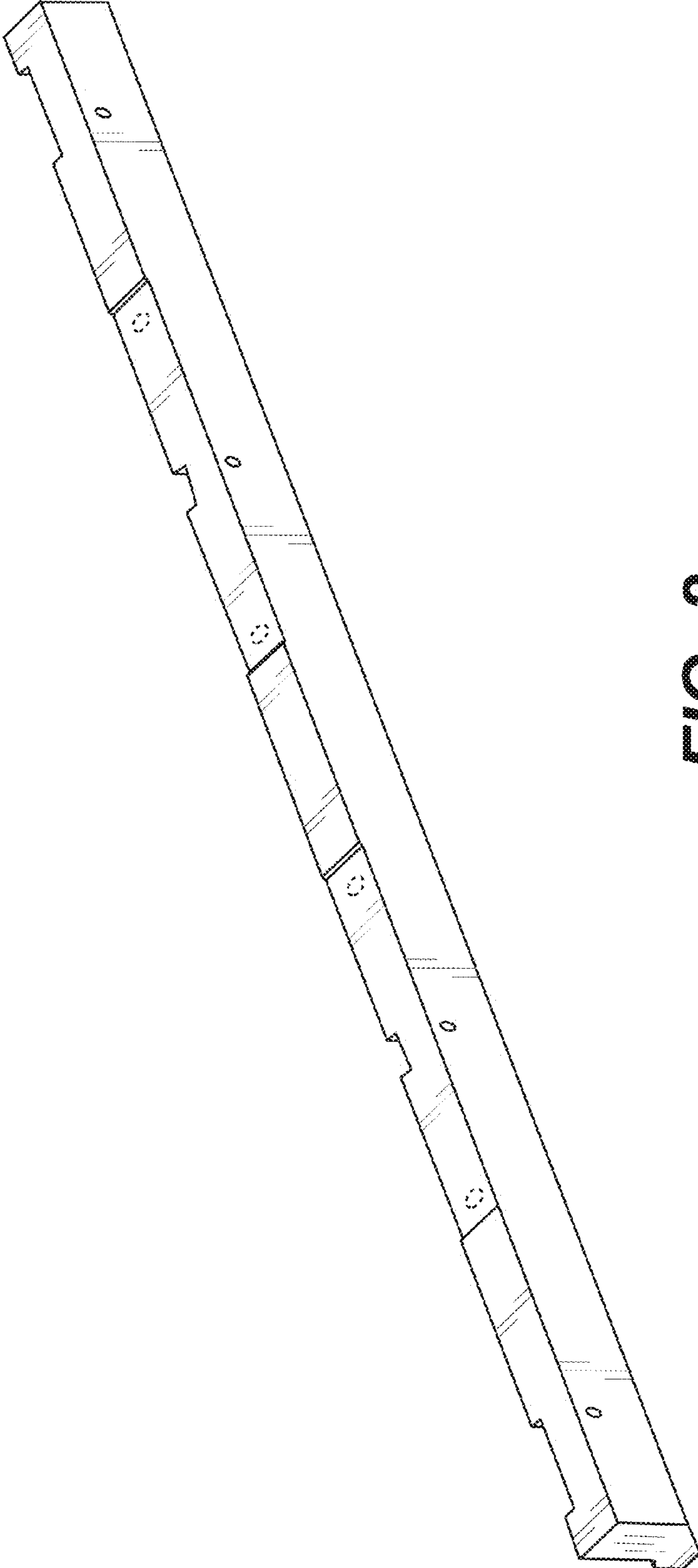


FIG. 2

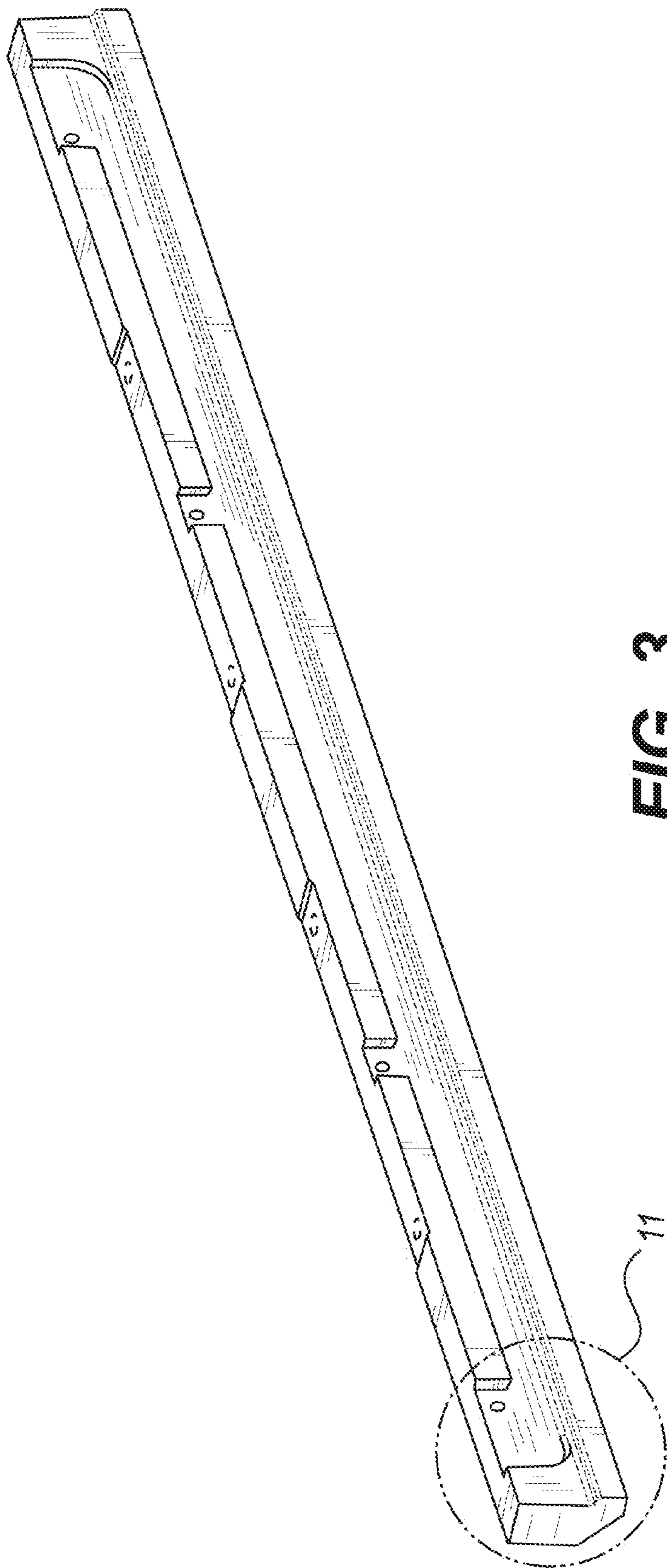


FIG. 3

11

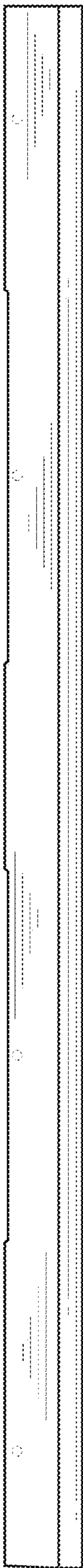


FIG. 4

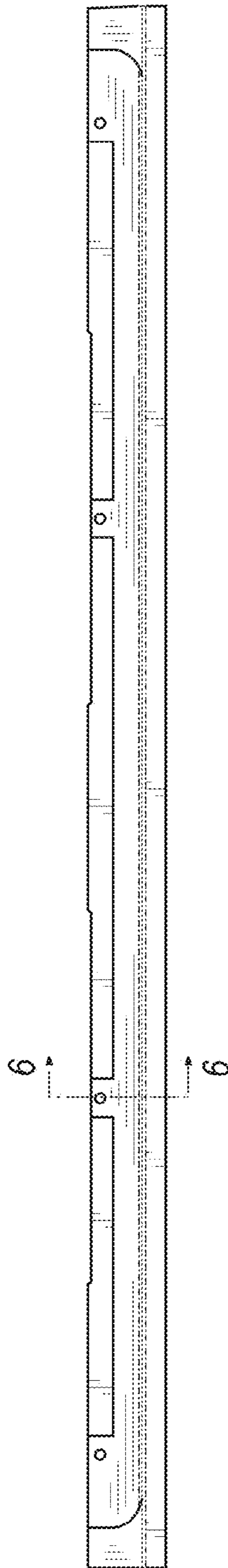


FIG. 5

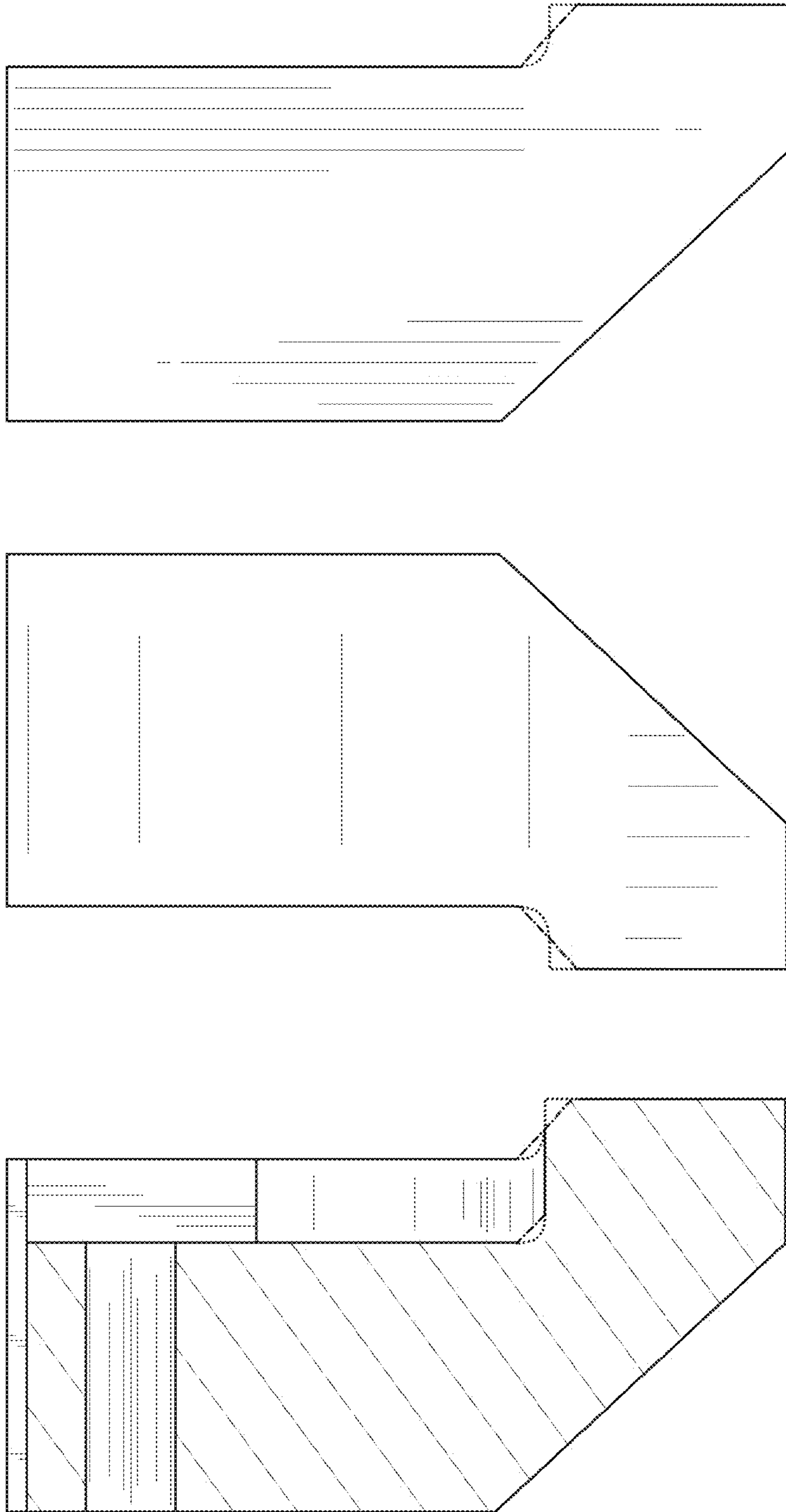


FIG. 6

FIG. 7

FIG. 8



FIG. 9

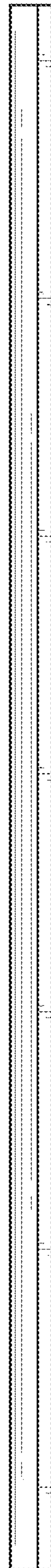


FIG. 10

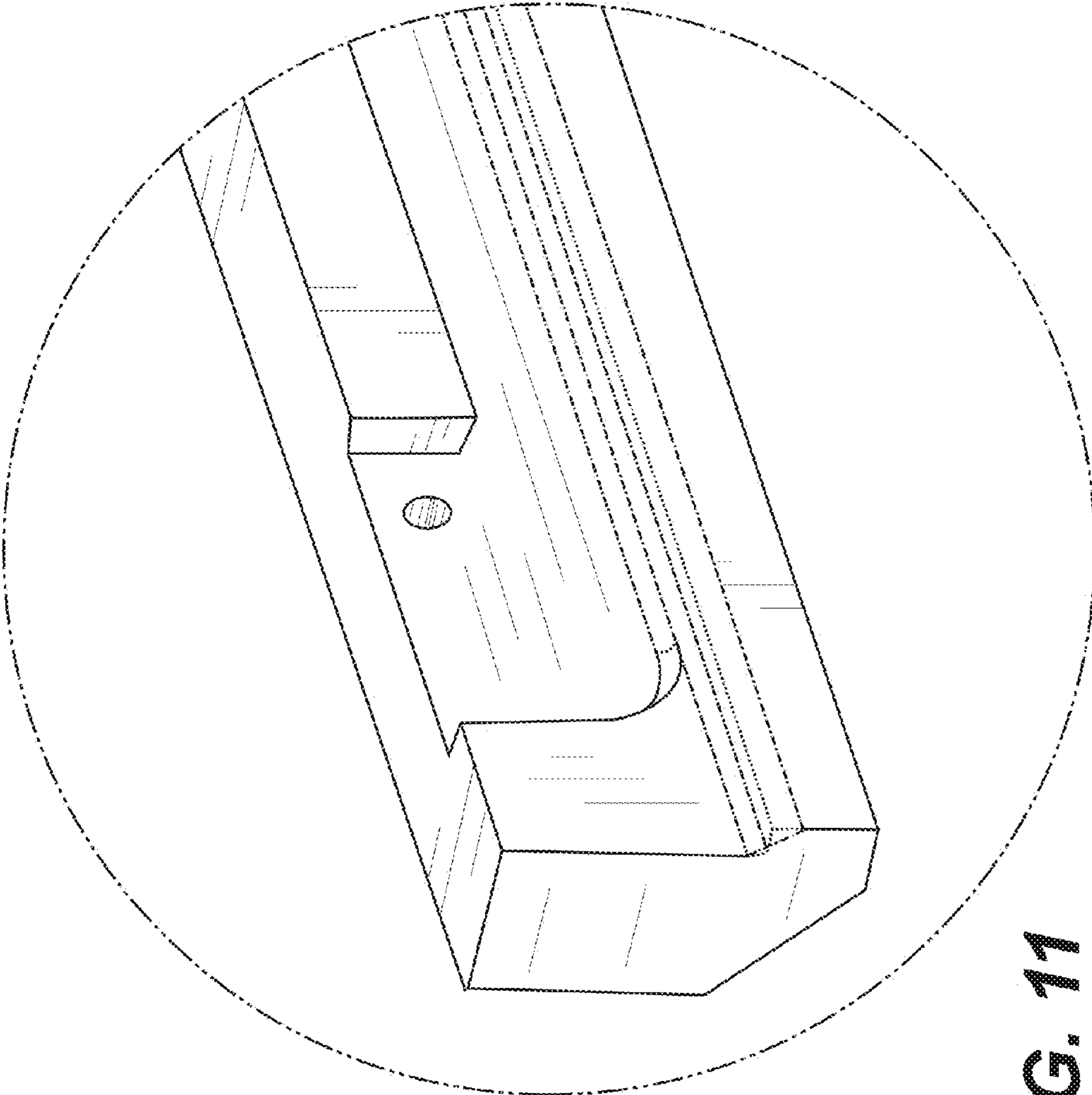


FIG. 11

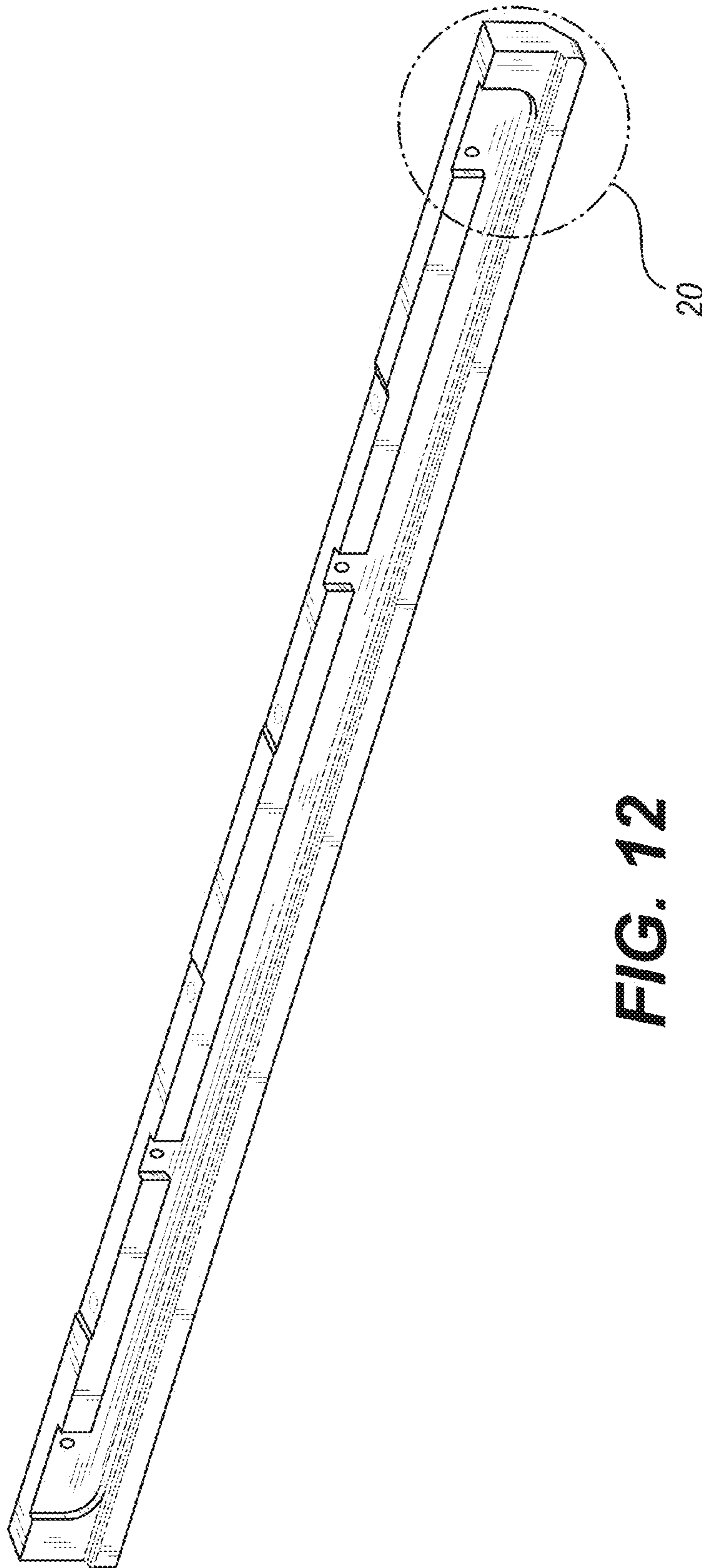


FIG. 12

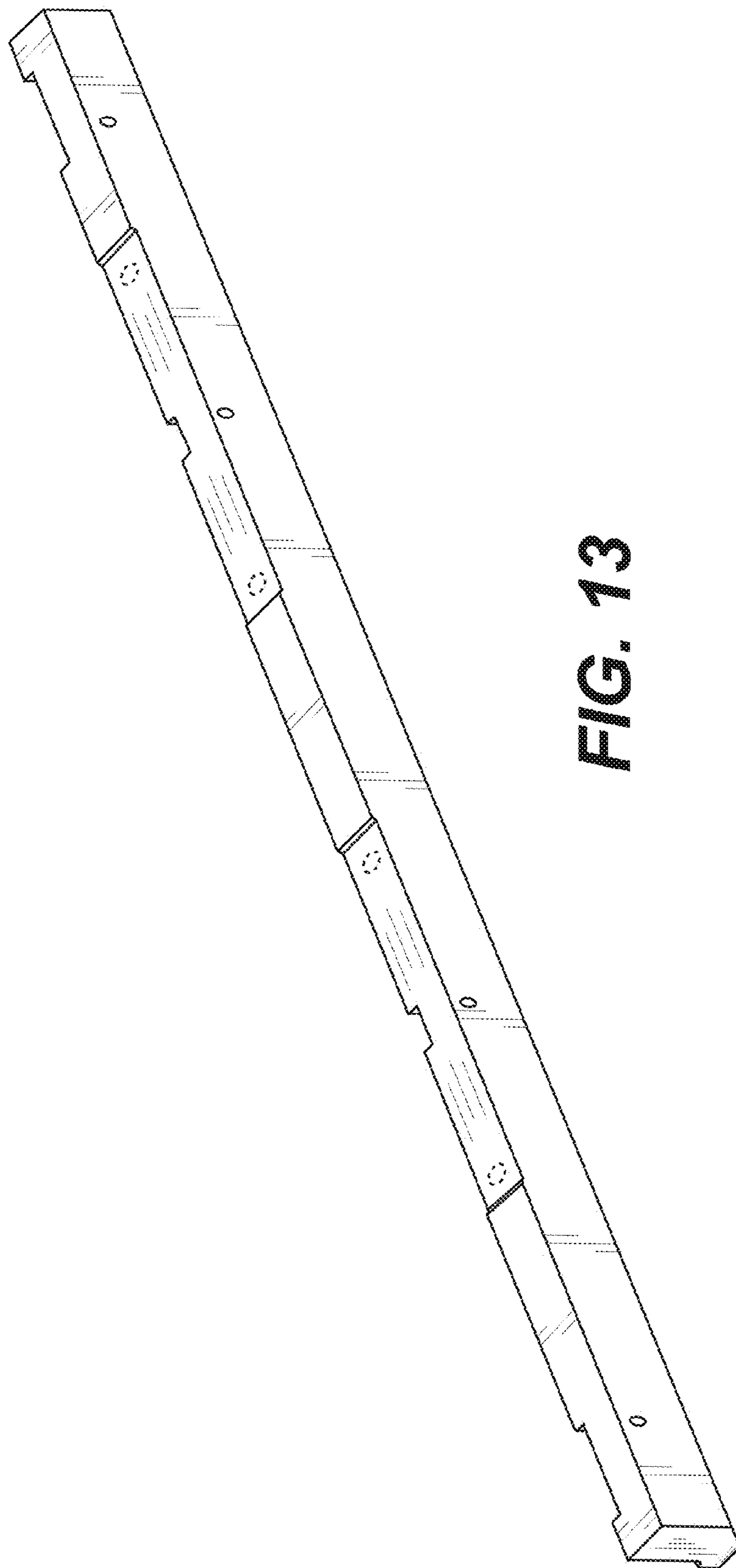


FIG. 13

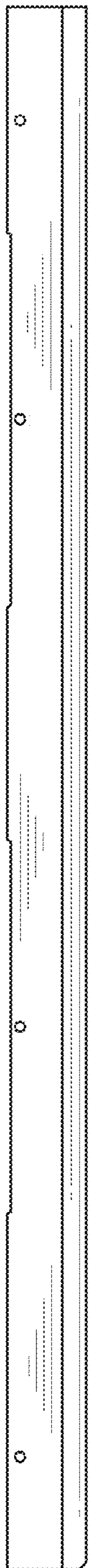


FIG. 14

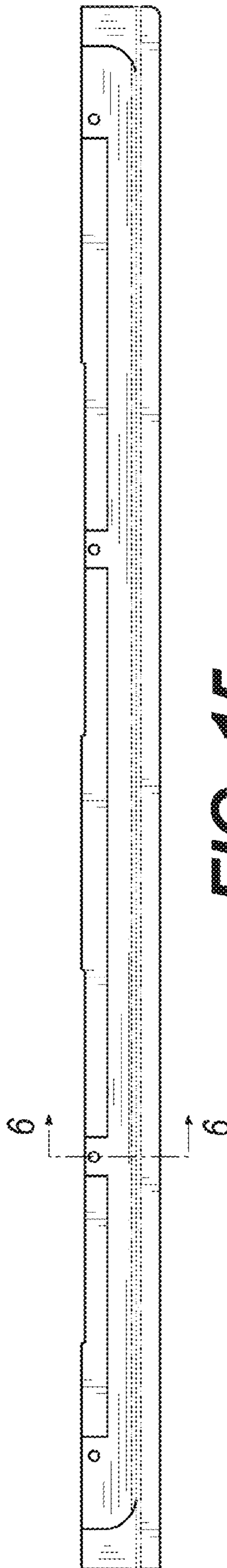


FIG. 15

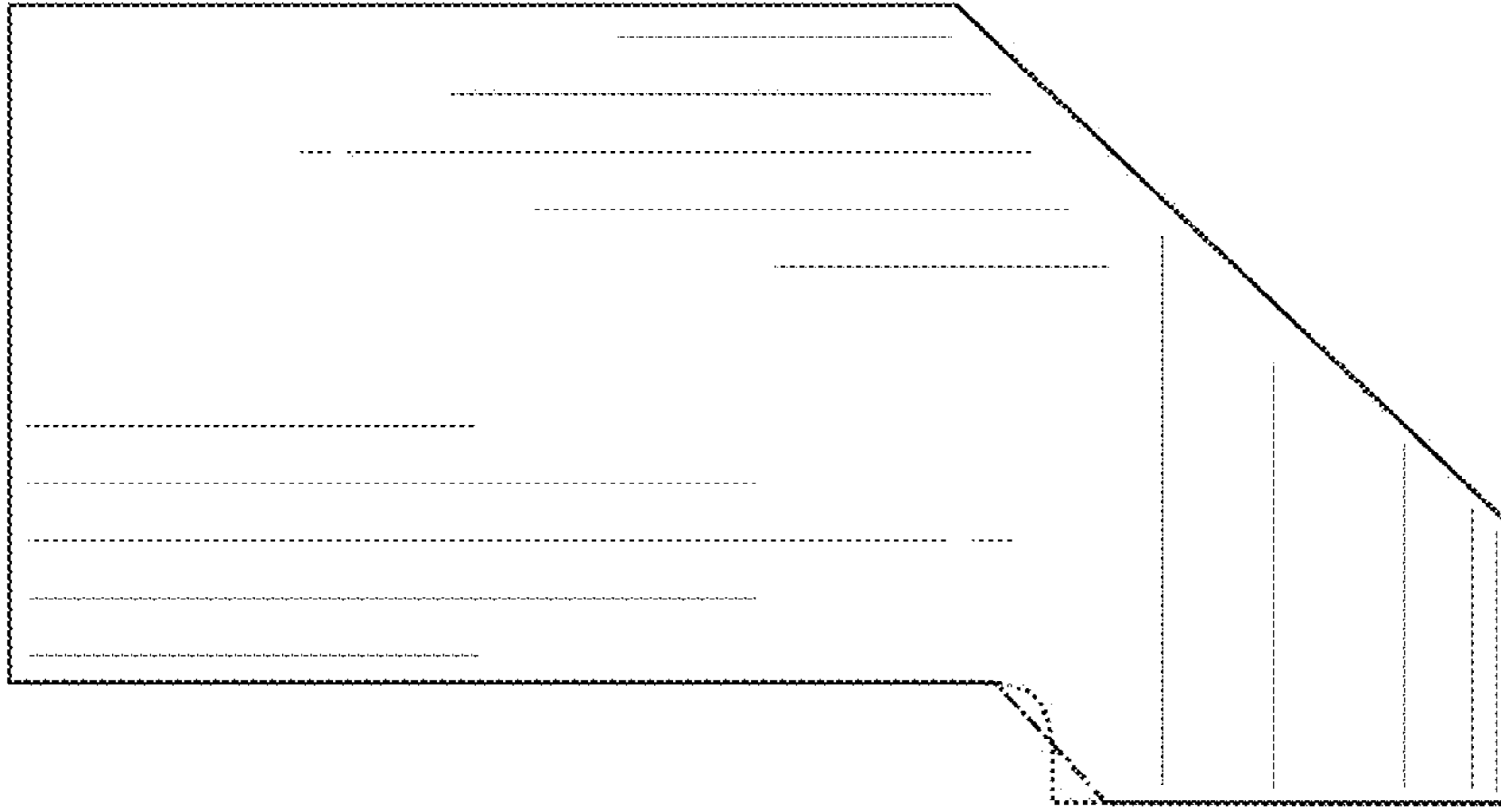


FIG. 17

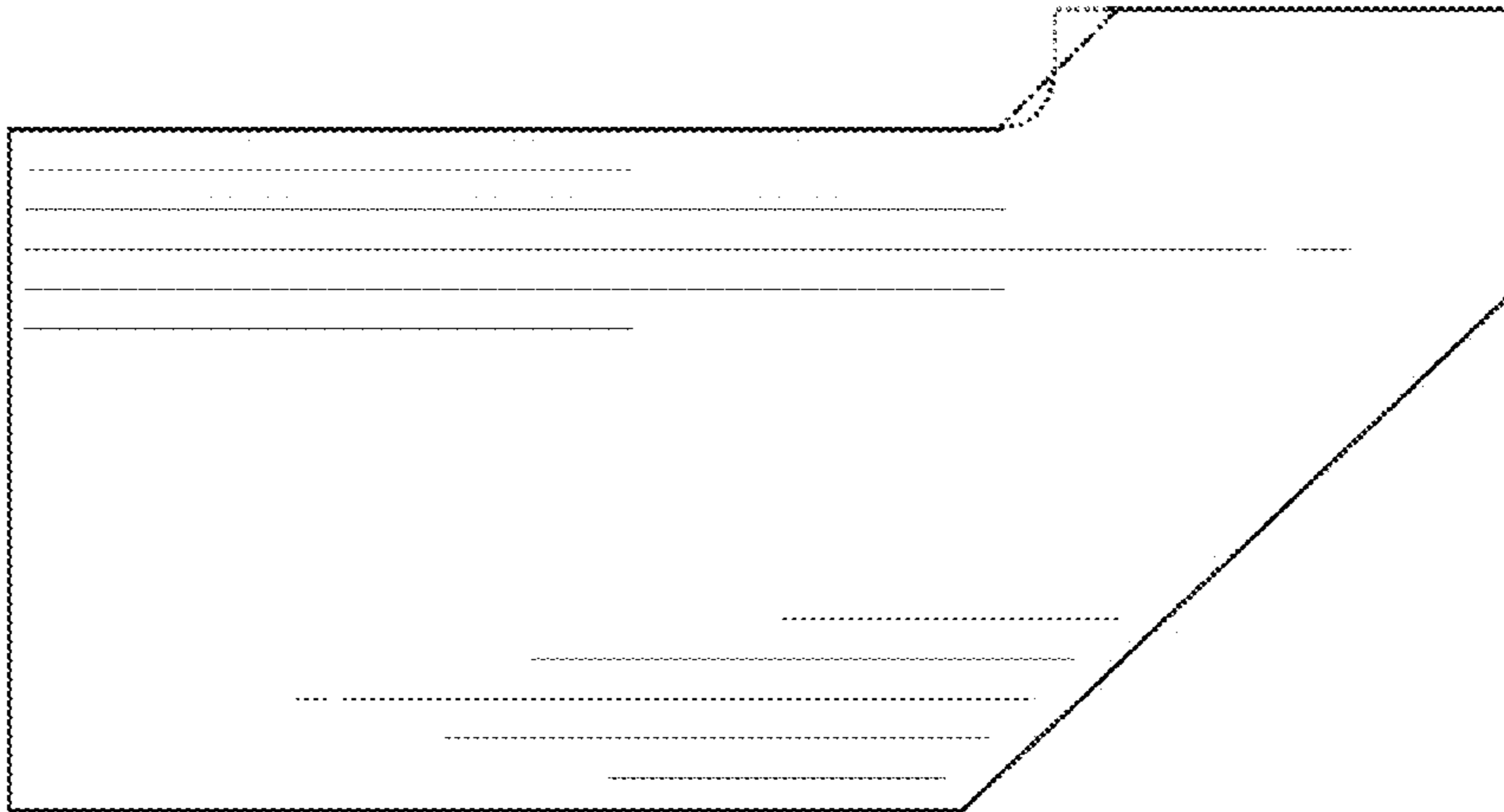


FIG. 16



FIG. 18

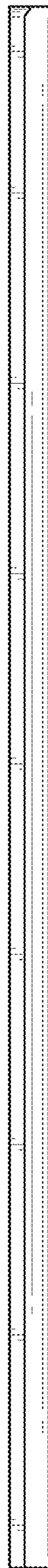


FIG. 19

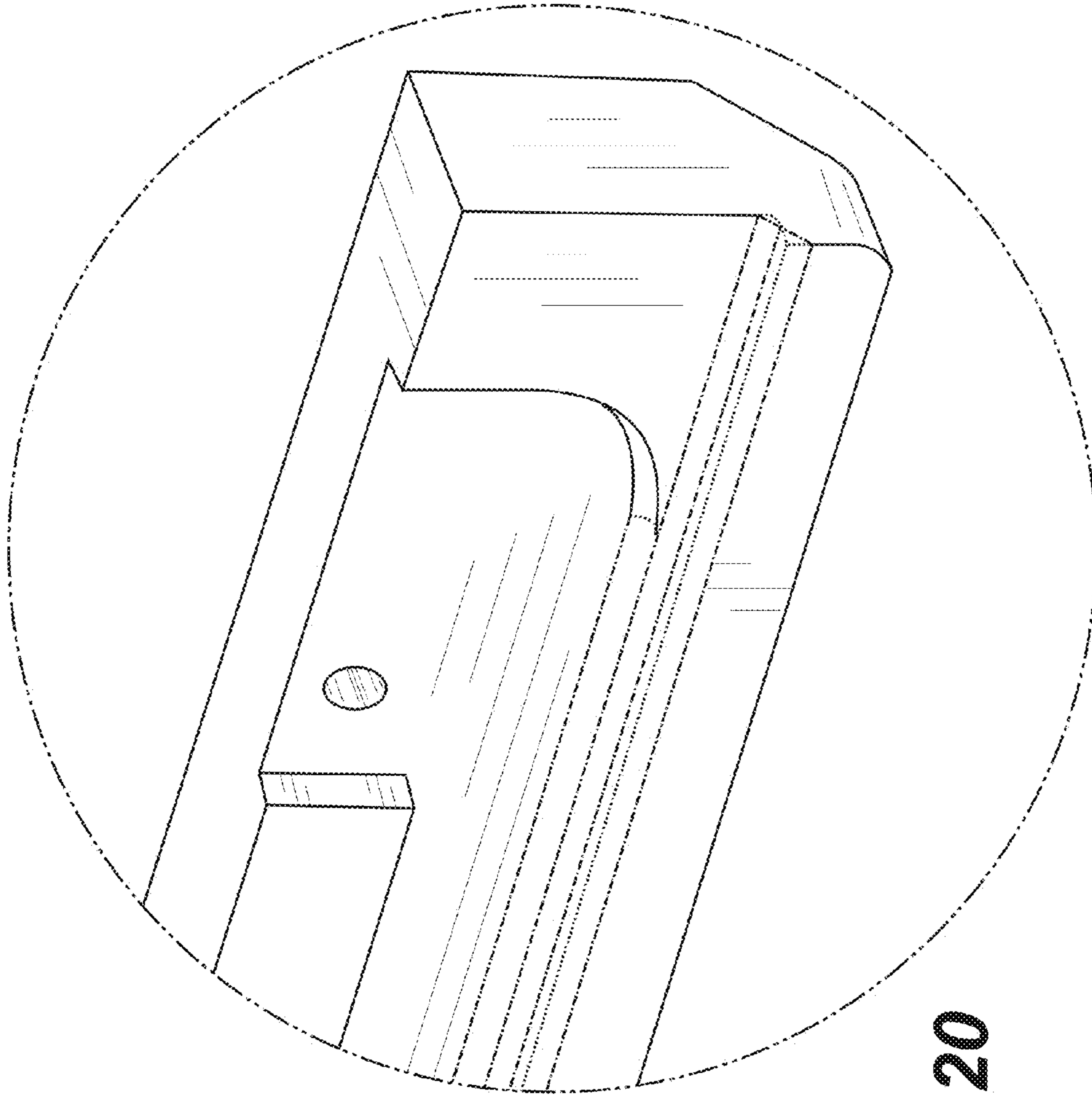


FIG. 20