



US00D697090S

(12) **United States Design Patent**
Suzuki et al.

(10) **Patent No.:** **US D697,090 S**
(45) **Date of Patent:** **** Jan. 7, 2014**

(54) **MAIN BODY OF A CONSTRUCTION MACHINE**

- (71) Applicant: **Komatsu Ltd.**, Tokyo (JP)
- (72) Inventors: **Yasuyuki Suzuki**, Tokyo (JP); **Hiroshi Saitou**, Komatsu (JP)
- (73) Assignee: **Komatsu Ltd.** (JP)
- (**) Term: **14 Years**
- (21) Appl. No.: **29/460,166**
- (22) Filed: **Jul. 9, 2013**

Related U.S. Application Data

- (62) Division of application No. 29/394,789, filed on Jun. 21, 2011, now Pat. No. Des. 688,712.

Foreign Application Priority Data

- Dec. 24, 2010 (JP) 2010-030919
- Dec. 24, 2010 (JP) 2010-030920
- Dec. 24, 2010 (JP) 2010-030921
- (51) **LOC (10) Cl.** **12-09**
- (52) **U.S. Cl.**
USPC **D15/23**
- (58) **Field of Classification Search**
USPC D15/10, 22-26, 33; D21/431; 37/403,
37/409, 442, 443; 180/89.1, 89.12, 89.13;
296/190.03; 414/685, 694, 722, 724
See application file for complete search history.

(56) **References Cited**

U.S. PATENT DOCUMENTS

D226,707 S *	4/1973	Skyer et al.	D15/25
D326,858 S *	6/1992	Skeel et al.	D15/25
D364,408 S *	11/1995	Bryant et al.	D15/25
D405,807 S *	2/1999	Amy et al.	D15/25
D410,930 S *	6/1999	Kim et al.	D15/25
D540,352 S *	4/2007	Sato et al.	D15/25
D590,846 S *	4/2009	Kinsinger et al.	D15/25
D636,000 S *	4/2011	Kim et al.	D15/25

* cited by examiner

Primary Examiner — Mark Goodwin

(74) *Attorney, Agent, or Firm* — Fox Rothschild LLP

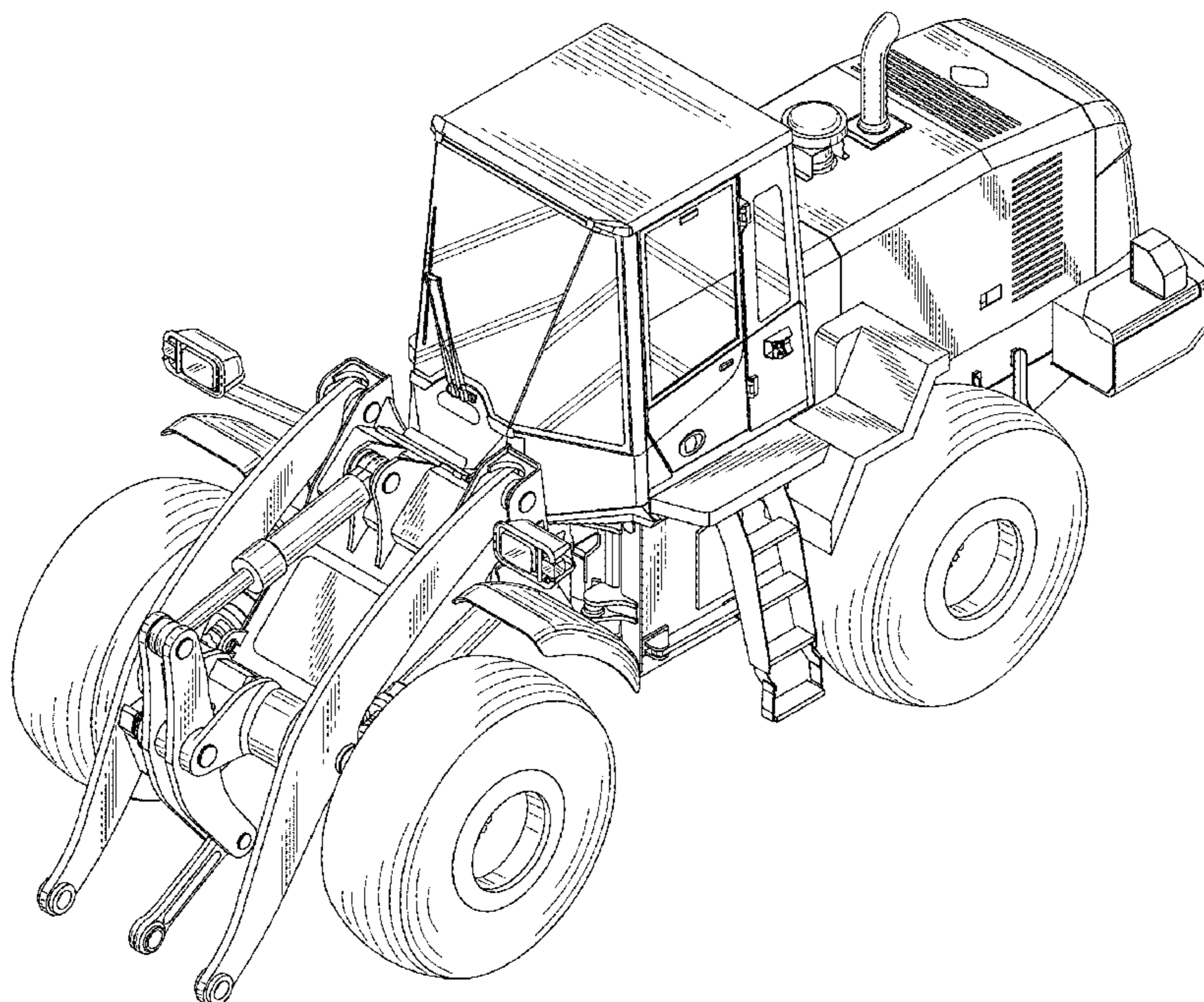
(57) **CLAIM**

The ornamental design for a main body of a construction machine, as shown and described.

DESCRIPTION

FIG. 1 is a front perspective view of a main body of a construction machine showing our new design;
 FIG. 2 is a rear perspective view thereof;
 FIG. 3 is a right side view thereof;
 FIG. 4 is a left side view thereof;
 FIG. 5 is a top plan view thereof;
 FIG. 6 is a rear view thereof; and,
 FIG. 7 is a front view thereof.

1 Claim, 7 Drawing Sheets



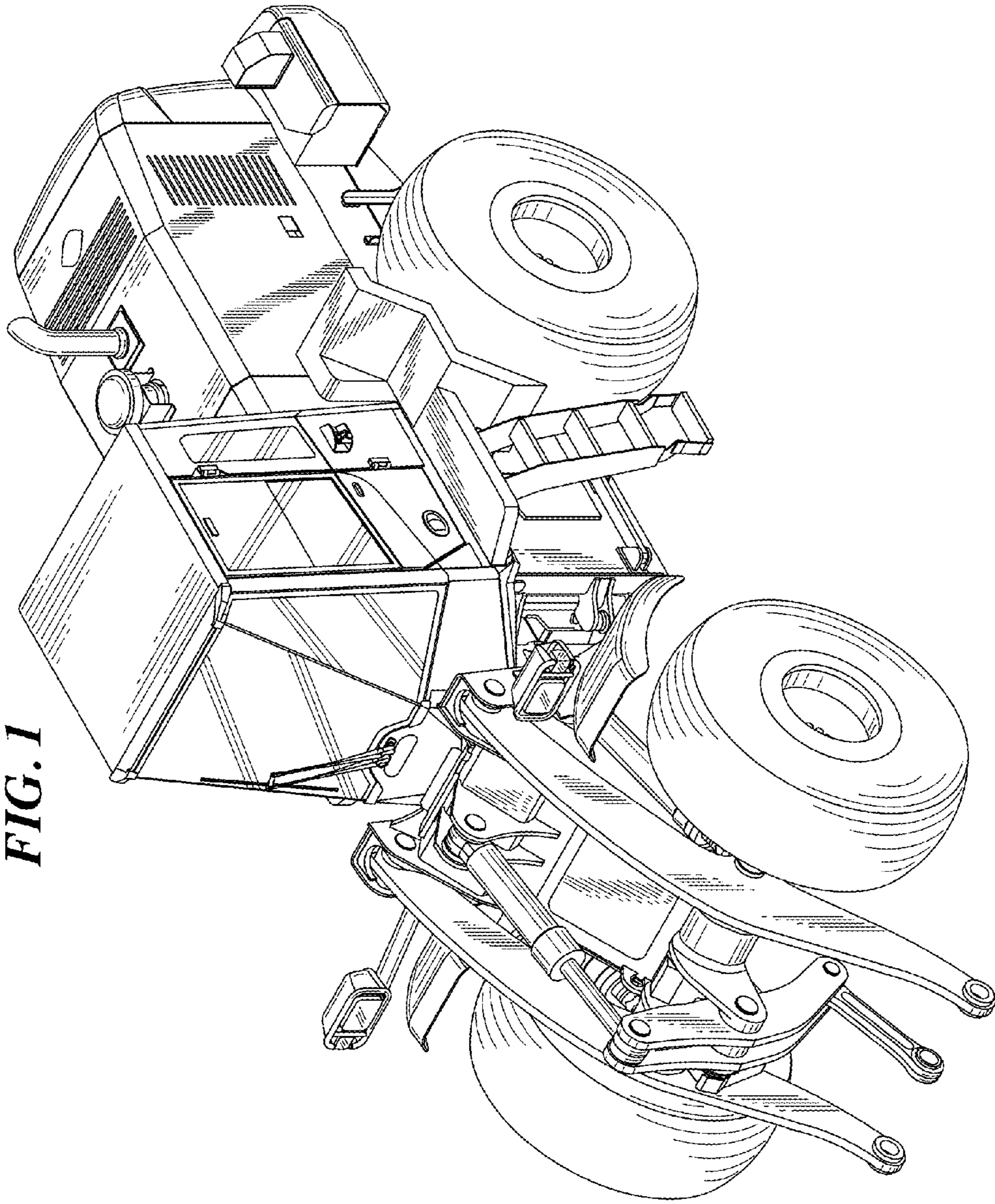


FIG. 1

FIG. 2

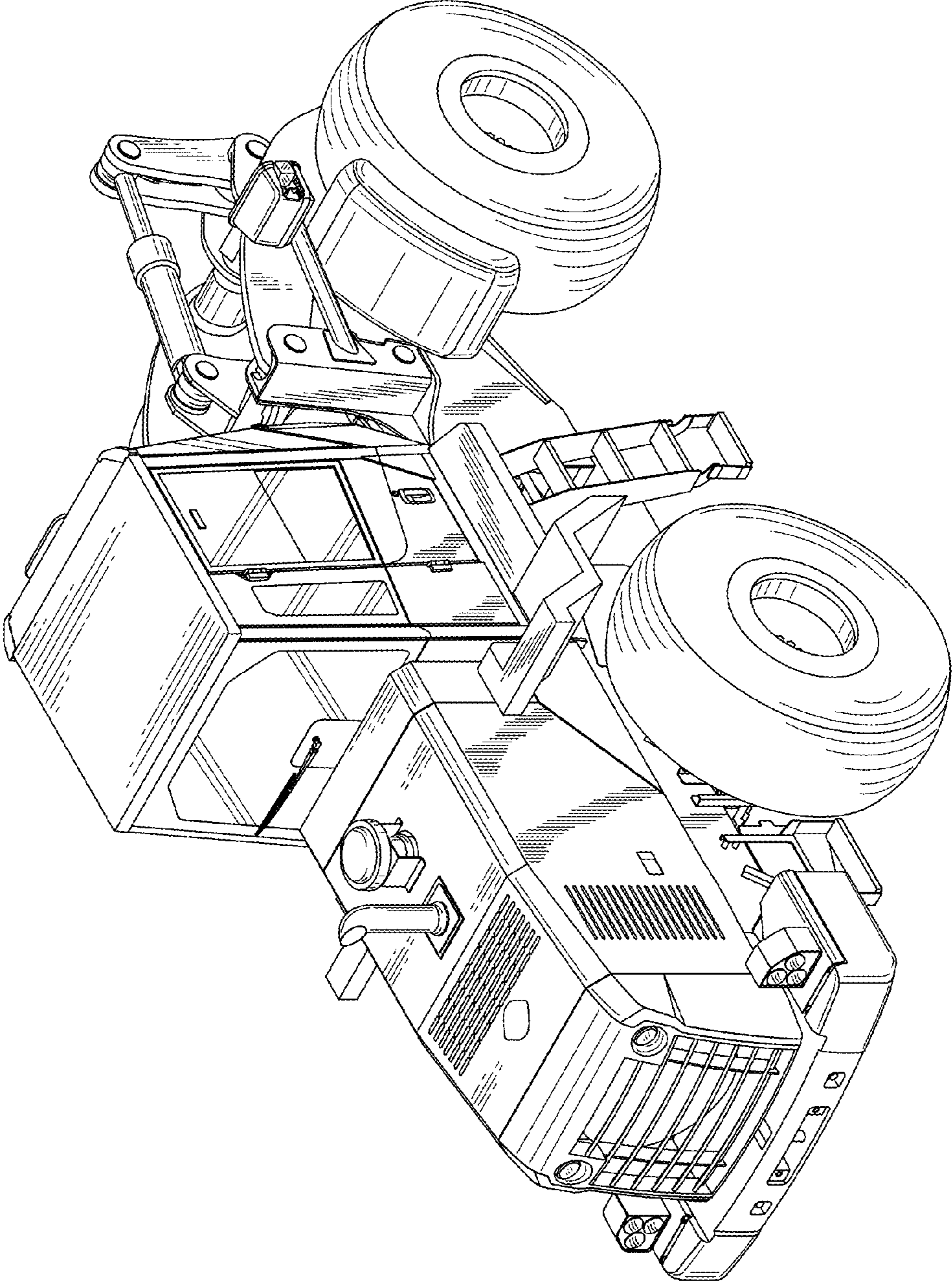


FIG. 3

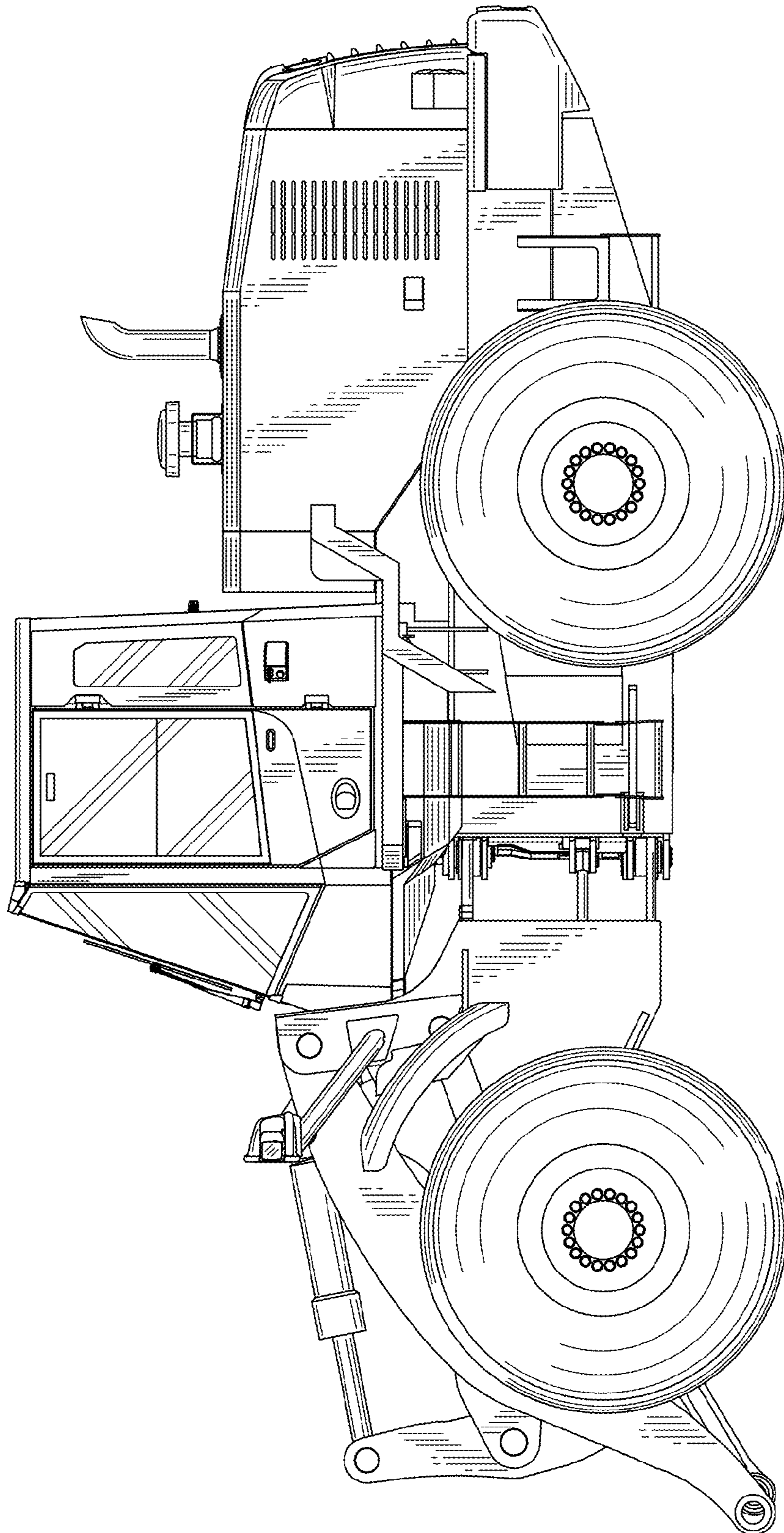


FIG. 4

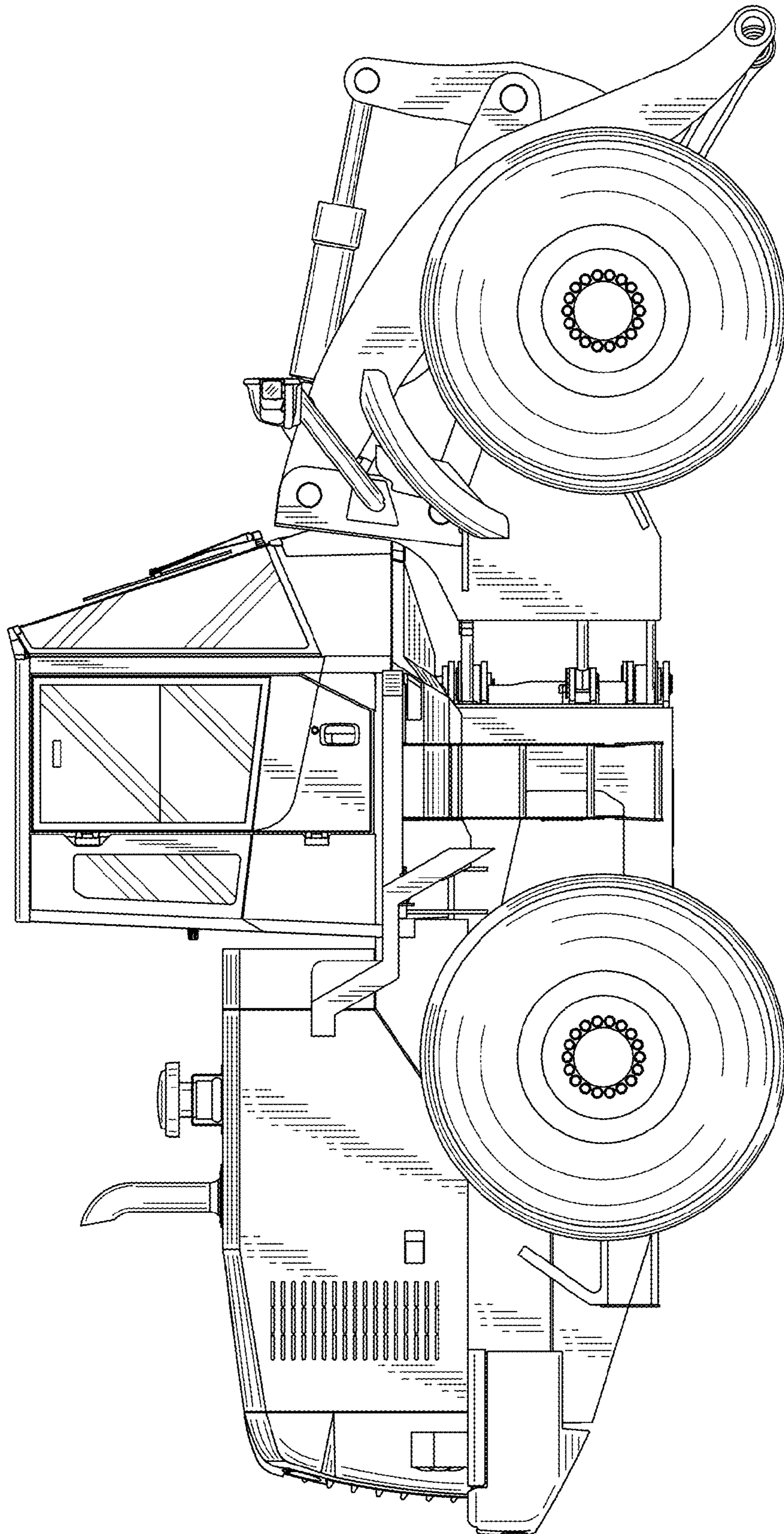


FIG. 5

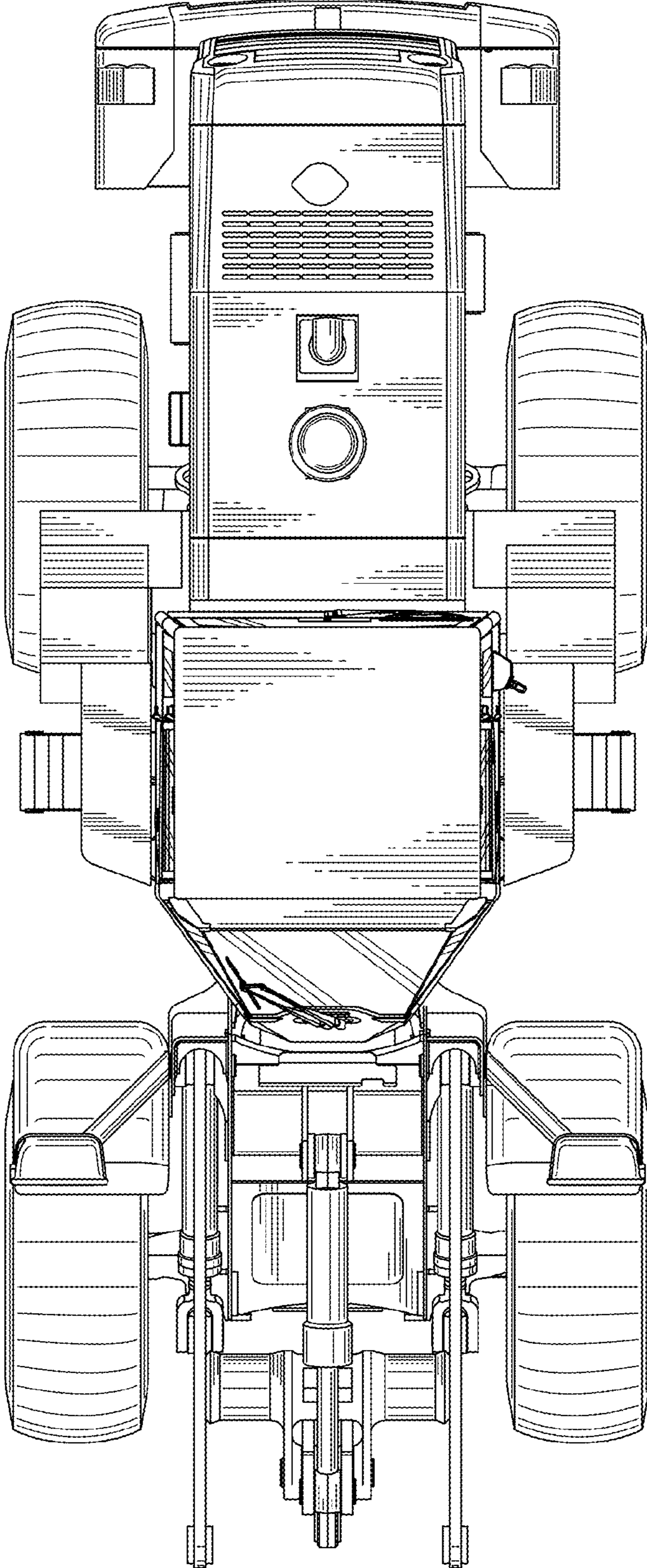


FIG. 6

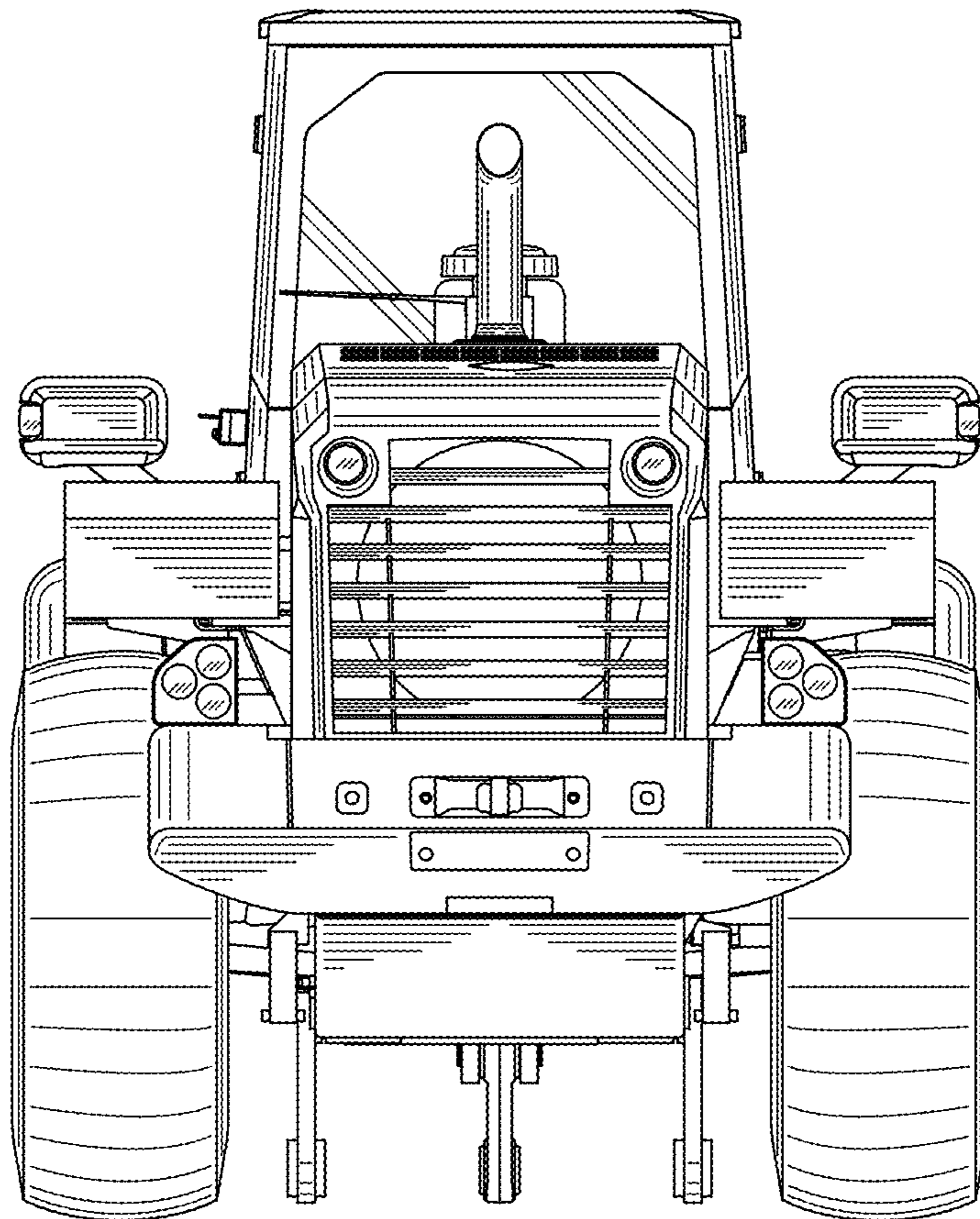


FIG. 7

