



US00D697086S

(12) **United States Design Patent**  
**Scampoli**

(10) **Patent No.:** **US D697,086 S**

(45) **Date of Patent:** **\*\* Jan. 7, 2014**

- (54) **GAS SAMPLING CHAMBER (PUMP HEAD)**
- (75) Inventor: **David Scampoli**, South Glastonbury, CT (US)
- (73) Assignee: **Koninklijke Philips N.V.**, Eindhoven (NL)
- (\*\*) Term: **14 Years**

(56) **References Cited**

U.S. PATENT DOCUMENTS

D258,961 S *	4/1981	Martin	.....	D15/7
D286,292 S *	10/1986	Kingston	.....	D15/9
D352,041 S *	11/1994	Hansen	.....	D15/9
D384,675 S *	10/1997	Murakami et al.	.....	D15/7
D589,532 S *	3/2009	Ehrlich et al.	.....	D15/7
D644,666 S *	9/2011	Fukano et al.	.....	D15/7
D677,281 S *	3/2013	Muller et al.	.....	D15/7

\* cited by examiner

*Primary Examiner* — Ralf Seifert

(57) **CLAIM**

The ornamental design for a gas sampling chamber (pump head), as shown and described.

**DESCRIPTION**

FIG. 1 is a perspective view showing my design;  
 FIG. 2 is a front elevational view thereof;  
 FIG. 3 is a rear elevational view thereof;  
 FIG. 4 is a right side elevational view thereof;  
 FIG. 5 is a left side elevational view thereof;  
 FIG. 6 is a top plan view thereof; and,  
 FIG. 7 is a bottom plan view thereof.

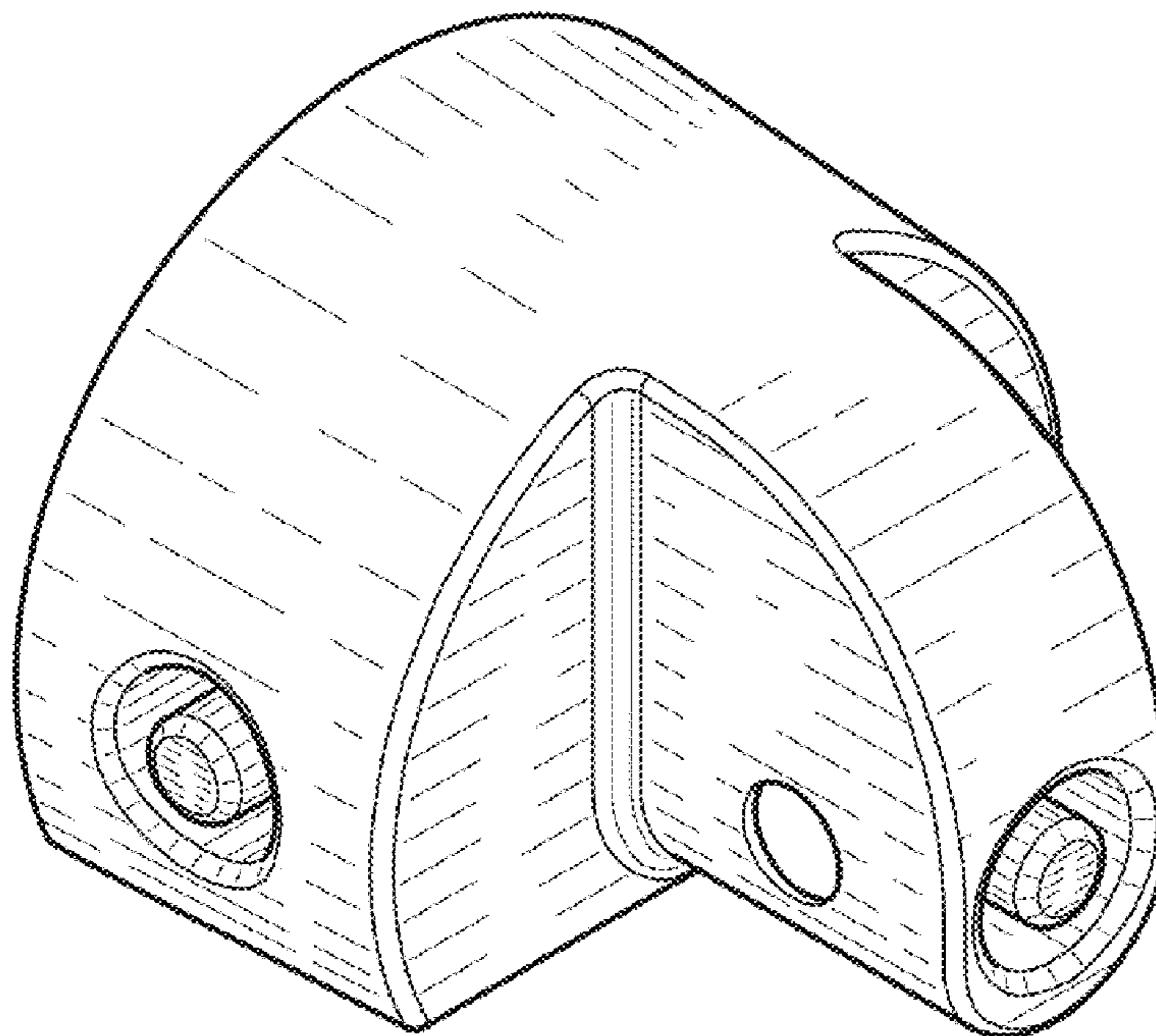
The broken line showing of unclaimed portions of the article is included for the purpose of illustrating boundaries of the claim and forms no part of the claimed design.

The broken line showing of an attachment to the article is included for the purpose of illustrating environment and forms no part of the claimed design.

- (21) Appl. No.: **29/428,332**
- (22) Filed: **Jul. 30, 2012**
- (30) **Foreign Application Priority Data**  
 Jan. 31, 2012 (EM) ..... 001983909-0004
- (51) **LOC (10) Cl.** ..... **15-02**
- (52) **U.S. Cl.**  
 USPC ..... **D15/7**
- (58) **Field of Classification Search**  
 USPC ..... D15/7-9; D23/231, 232, 225; 417/60,  
 417/235, 265, 321, 355, 358, 363, 359,  
 417/410.1, 415-416, 405, 900, 43, 554;  
 60/408, 412; 184/26-37; 415/140-147;  
 123/495, 509; 166/105.1, 105.2, 311;  
 604/73; D24/109

See application file for complete search history.

**1 Claim, 2 Drawing Sheets**



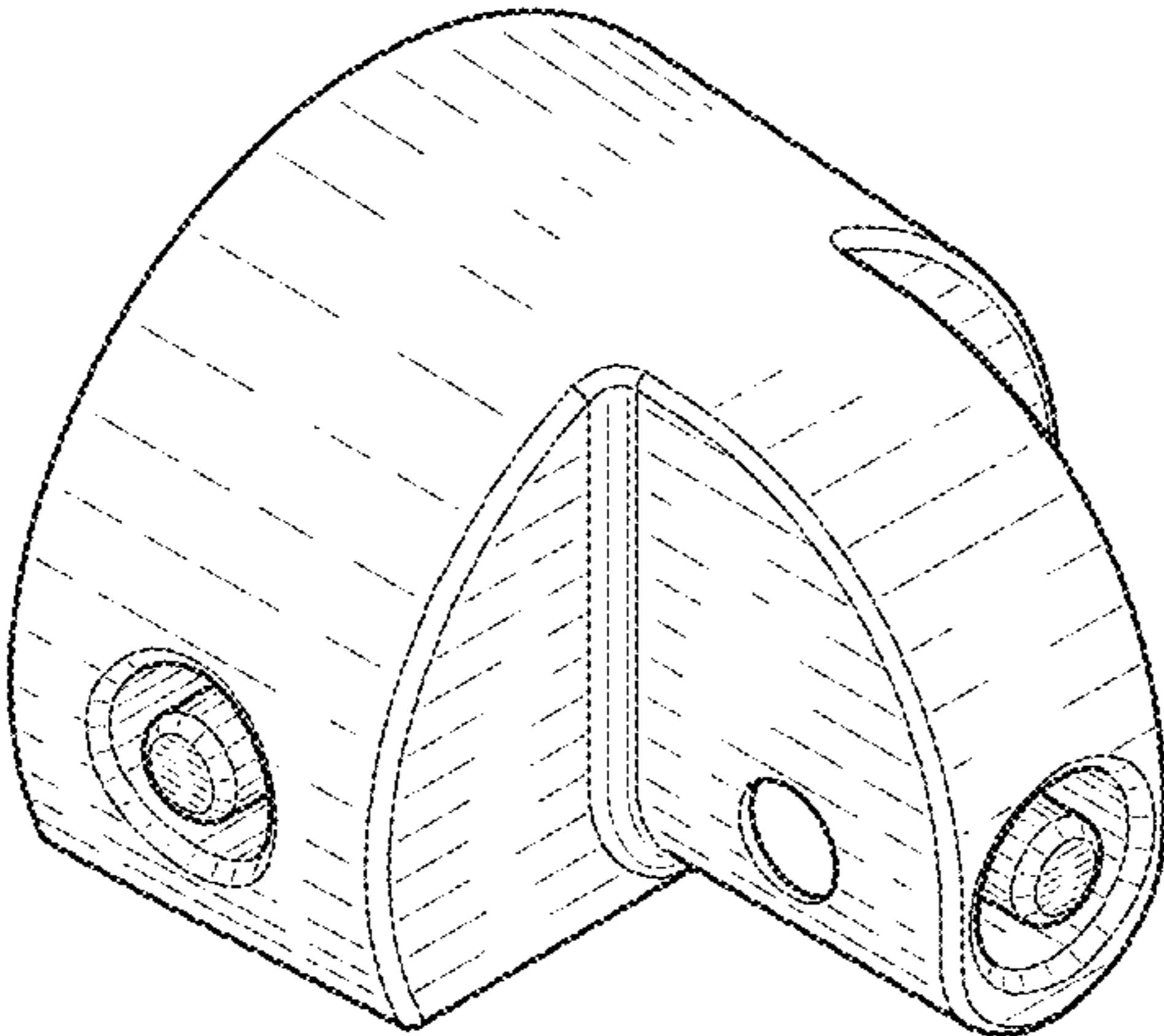


FIG. 1

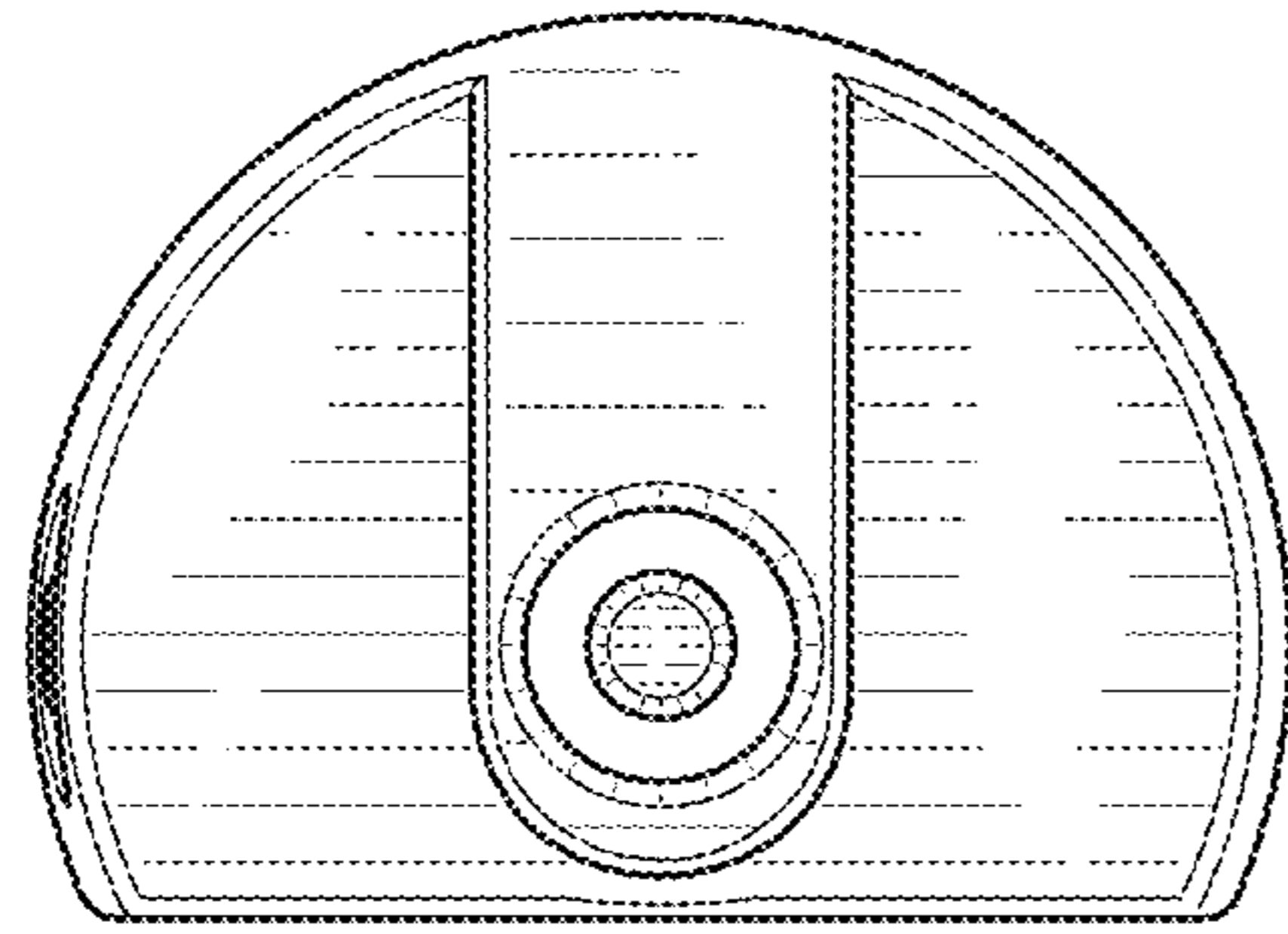


FIG. 2

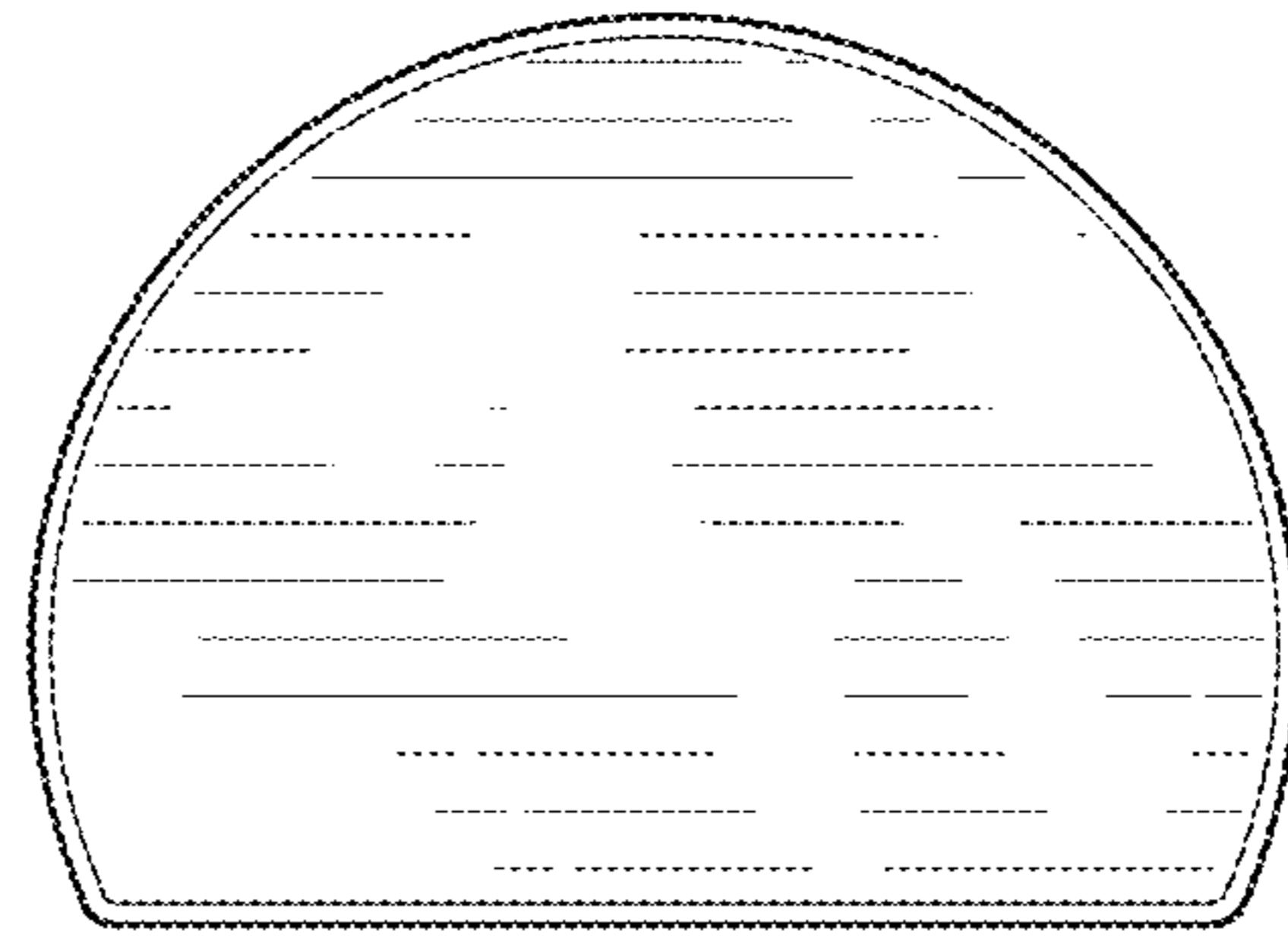


FIG. 3

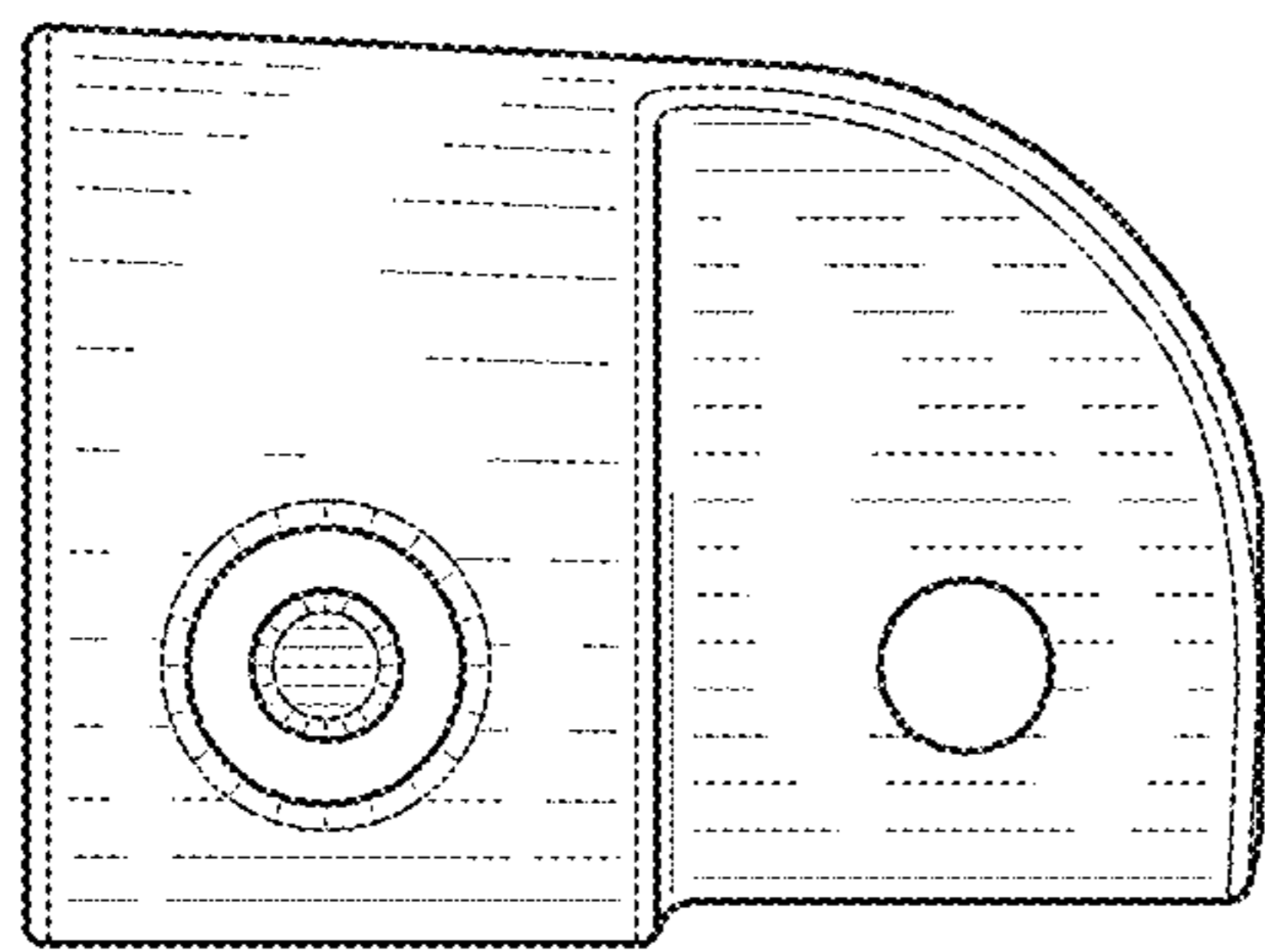


FIG. 4

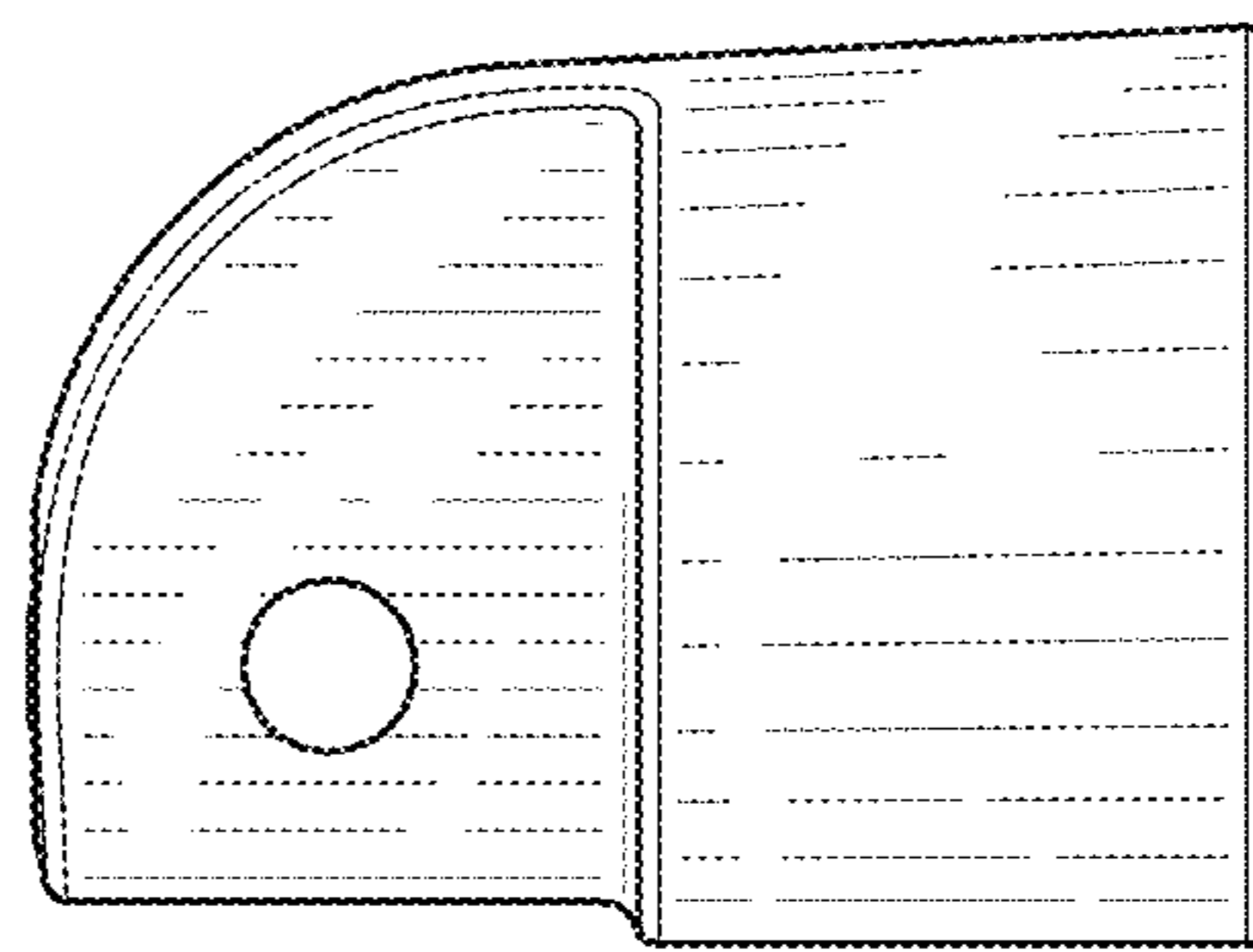


FIG. 5

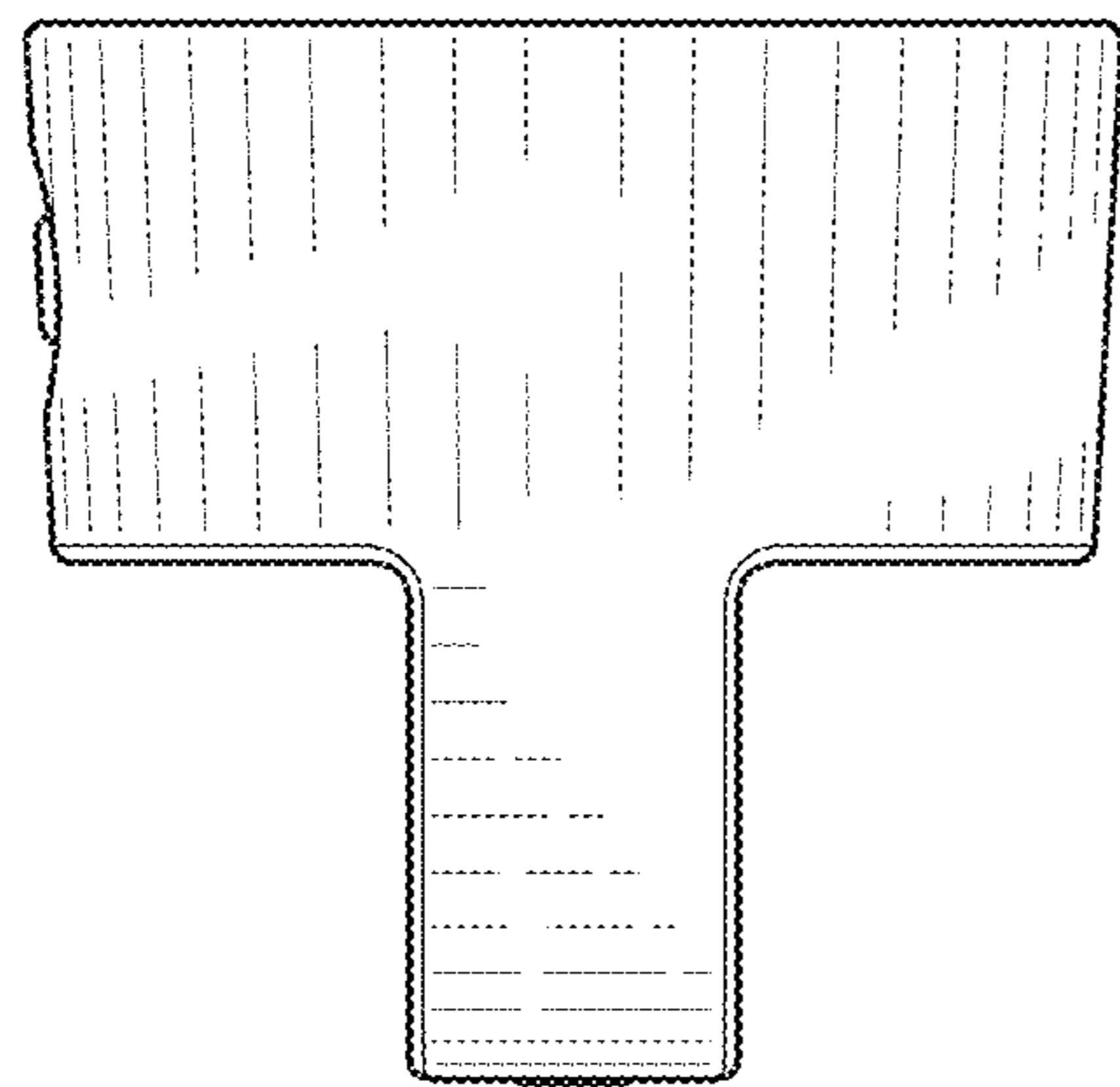


FIG. 6

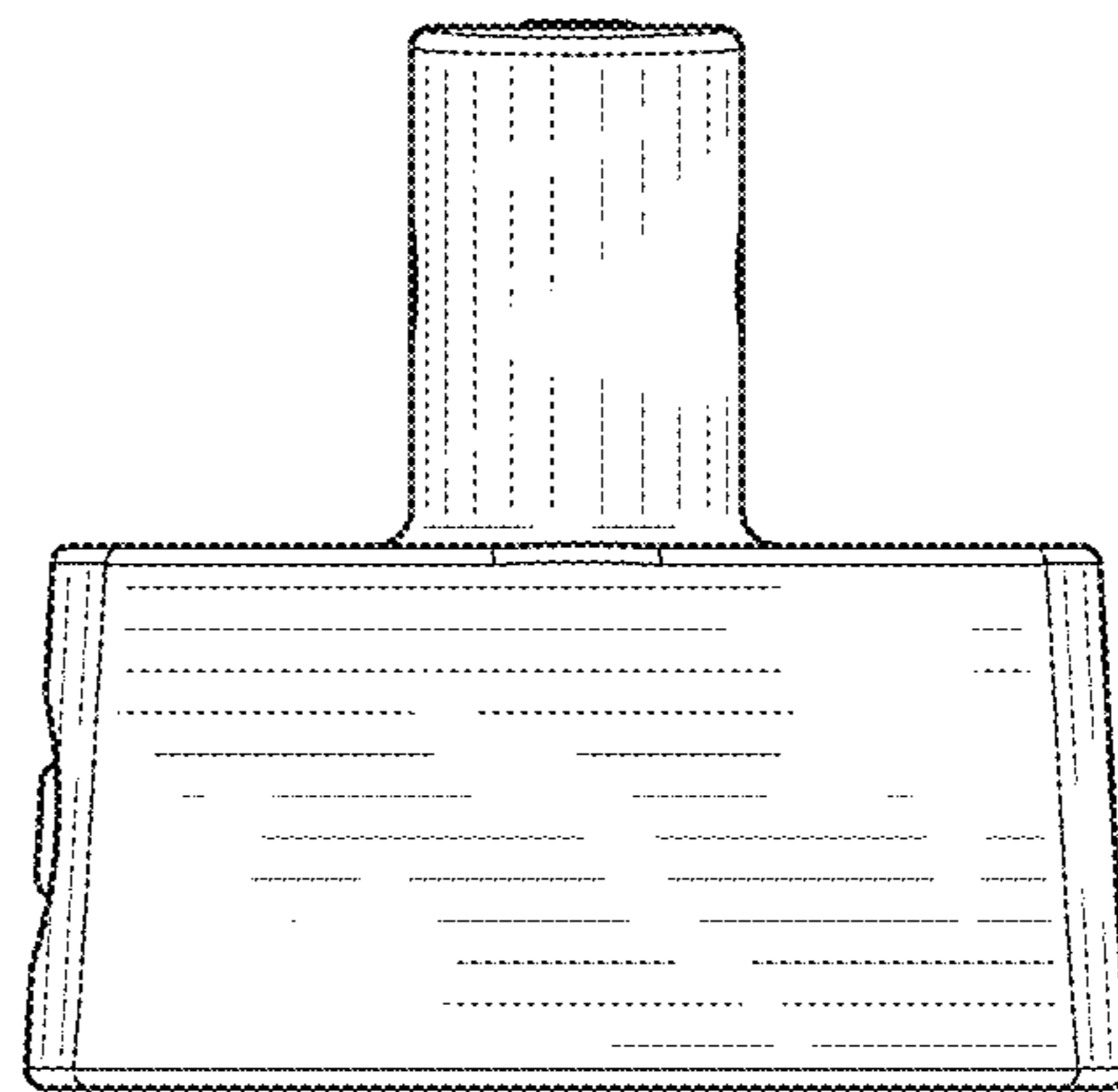


FIG. 7