



US00D697085S

(12) **United States Design Patent**
Scampoli

(10) **Patent No.:** **US D697,085 S**
(45) **Date of Patent:** **** Jan. 7, 2014**

- (54) **GAS SAMPLING CHAMBER (PUMP HEAD)**
- (75) Inventor: **David Scampoli**, South Glastonbury, CT (US)
- (73) Assignee: **Koninklijke Philips N.V.**, Eindhoven (NL)
- (**) Term: **14 Years**
- (21) Appl. No.: **29/428,330**
- (22) Filed: **Jul. 30, 2012**
- (30) **Foreign Application Priority Data**

Jan. 31, 2012 (EM) 001983909-0002

- (51) **LOC (10) Cl.** **15-02**
 - (52) **U.S. Cl.**
USPC **D15/7**
 - (58) **Field of Classification Search**
USPC D15/7-9; D23/231, 232, 225; 417/60, 417/235, 265, 321, 355, 358, 363, 359, 417/410.1, 415-416, 405, 900, 43, 554; 60/408, 412; 184/26-37; 415/140-147; 123/495, 509; 166/105.1, 105.2, 311; 604/73; D24/109
- See application file for complete search history.

(56) **References Cited**

U.S. PATENT DOCUMENTS

- D258,961 S * 4/1981 Martin D15/7
- D286,292 S * 10/1986 Kingston D15/9

- D352,041 S * 11/1994 Hansen D15/9
- D384,675 S * 10/1997 Murakami et al. D15/7
- D589,532 S * 3/2009 Ehrlich et al. D15/7
- D644,666 S * 9/2011 Fukano et al. D15/7
- D677,281 S * 3/2013 Muller et al. D15/7

* cited by examiner

Primary Examiner — Ralf Seifert

(57) **CLAIM**

The ornamental design for a gas sampling chamber (pump head), as shown and described.

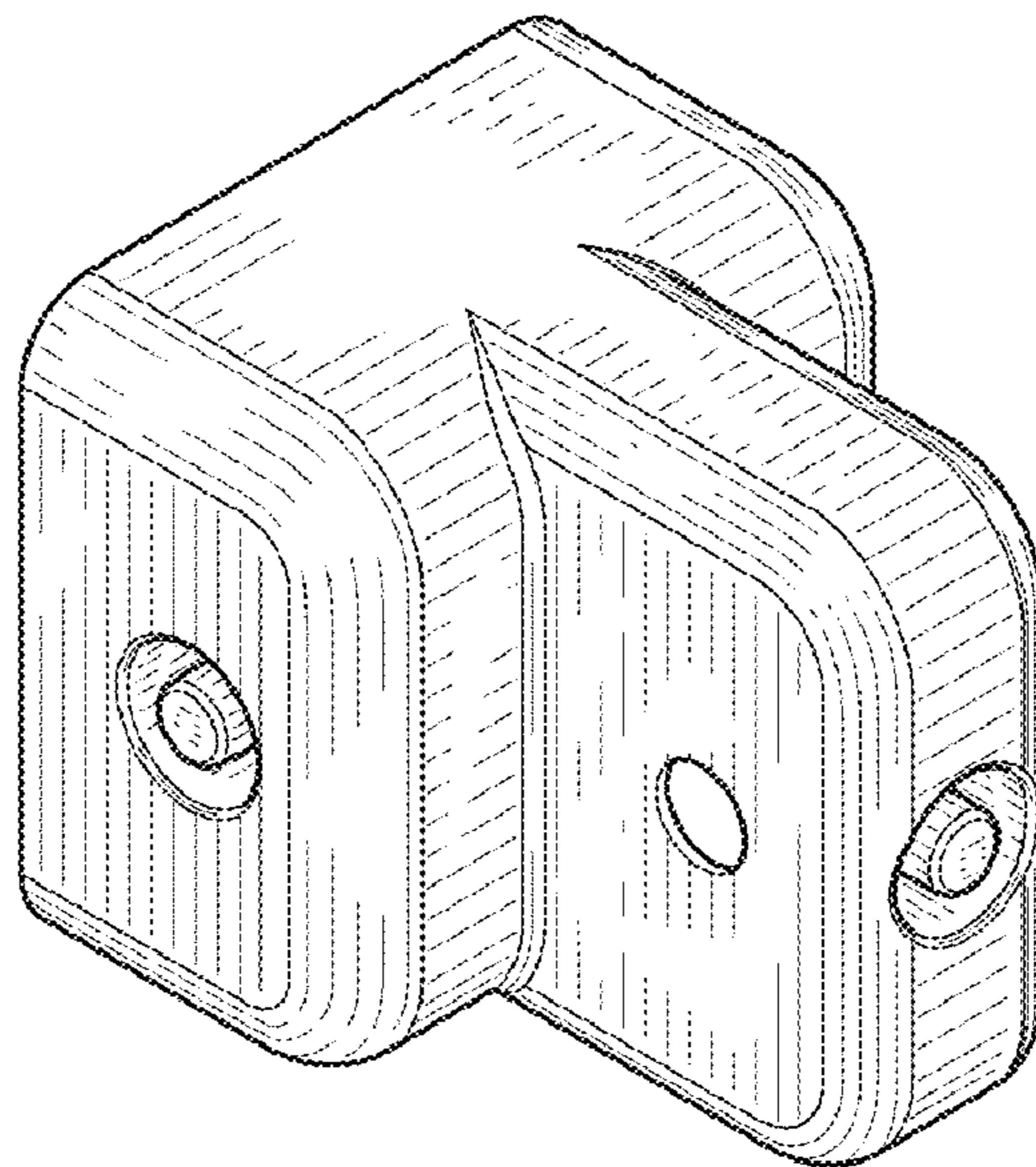
DESCRIPTION

FIG. 1 is a perspective view showing my design;
 FIG. 2 is a front elevational view thereof;
 FIG. 3 is a rear elevational view thereof;
 FIG. 4 is a right side elevational view thereof;
 FIG. 5 is a left side elevational view thereof;
 FIG. 6 is a top plan view thereof; and,
 FIG. 7 is a bottom plan view thereof.

The broken line showing of unclaimed portions of the article is included for the purpose of illustrating boundaries of the claim and forms no part of the claimed design.

The broken line showing of an attachment to the article is included for the purpose of illustrating environment and forms no part of the claimed design.

1 Claim, 2 Drawing Sheets



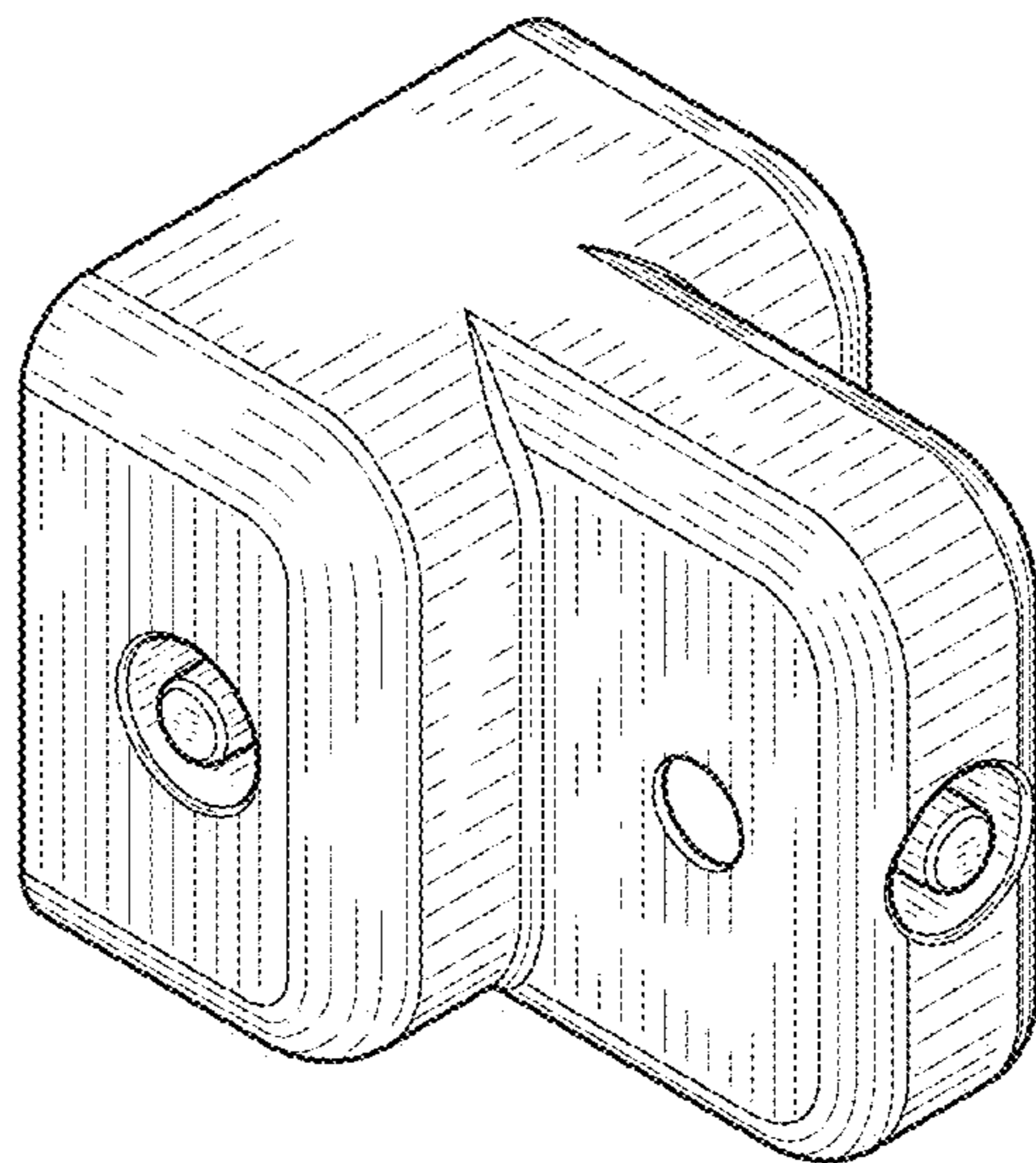


FIG. 1

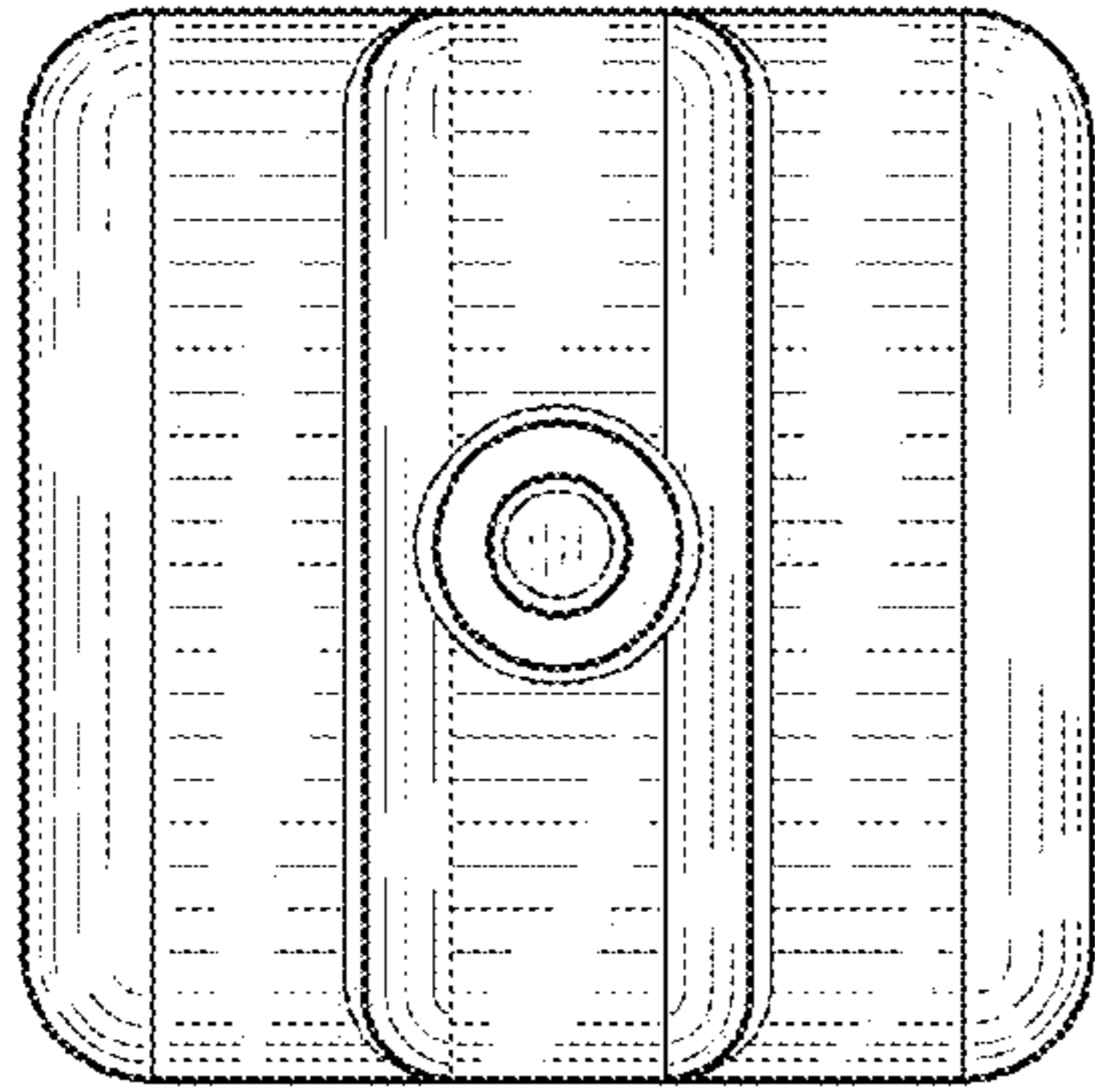


FIG. 2

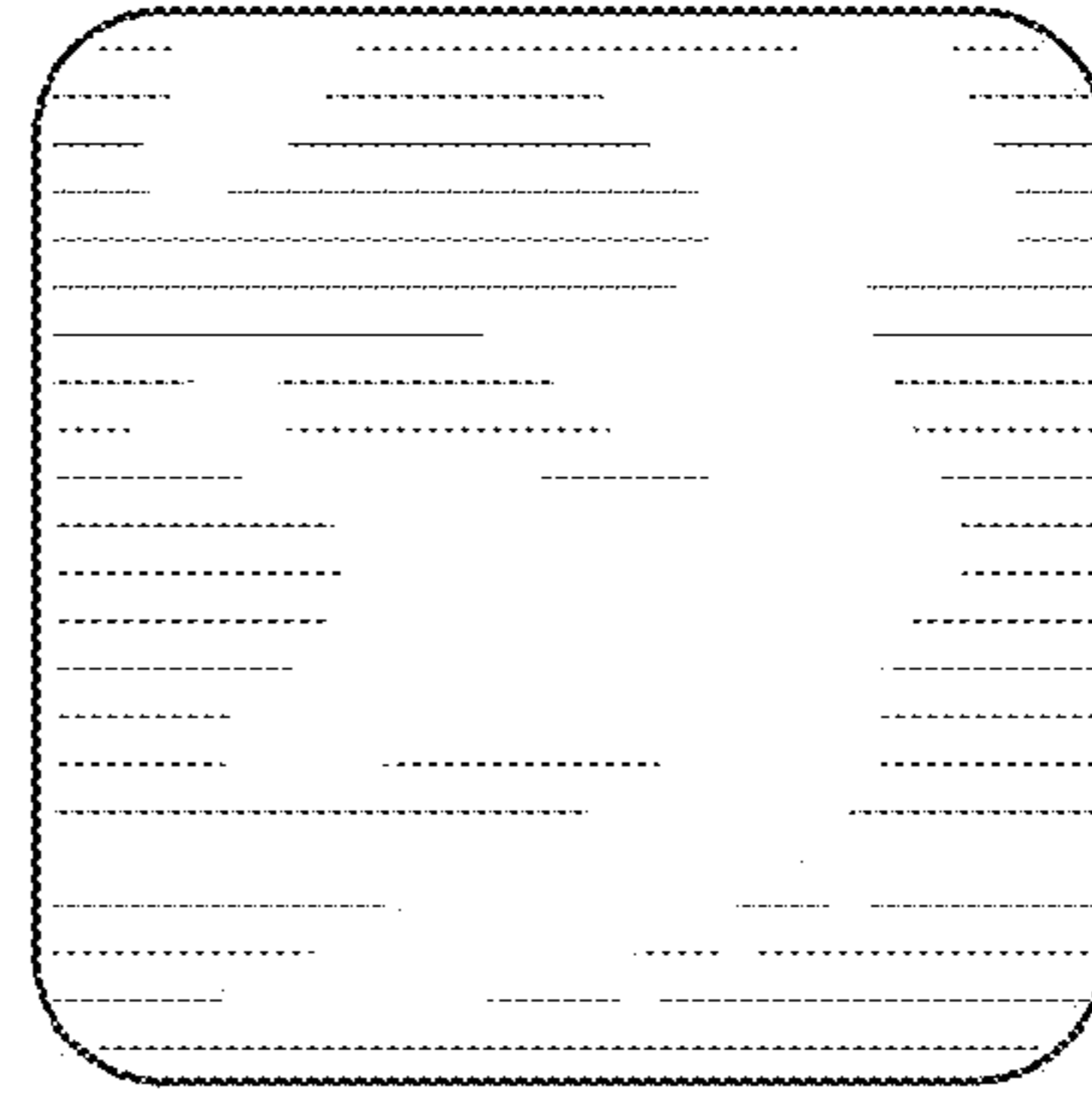


FIG. 3

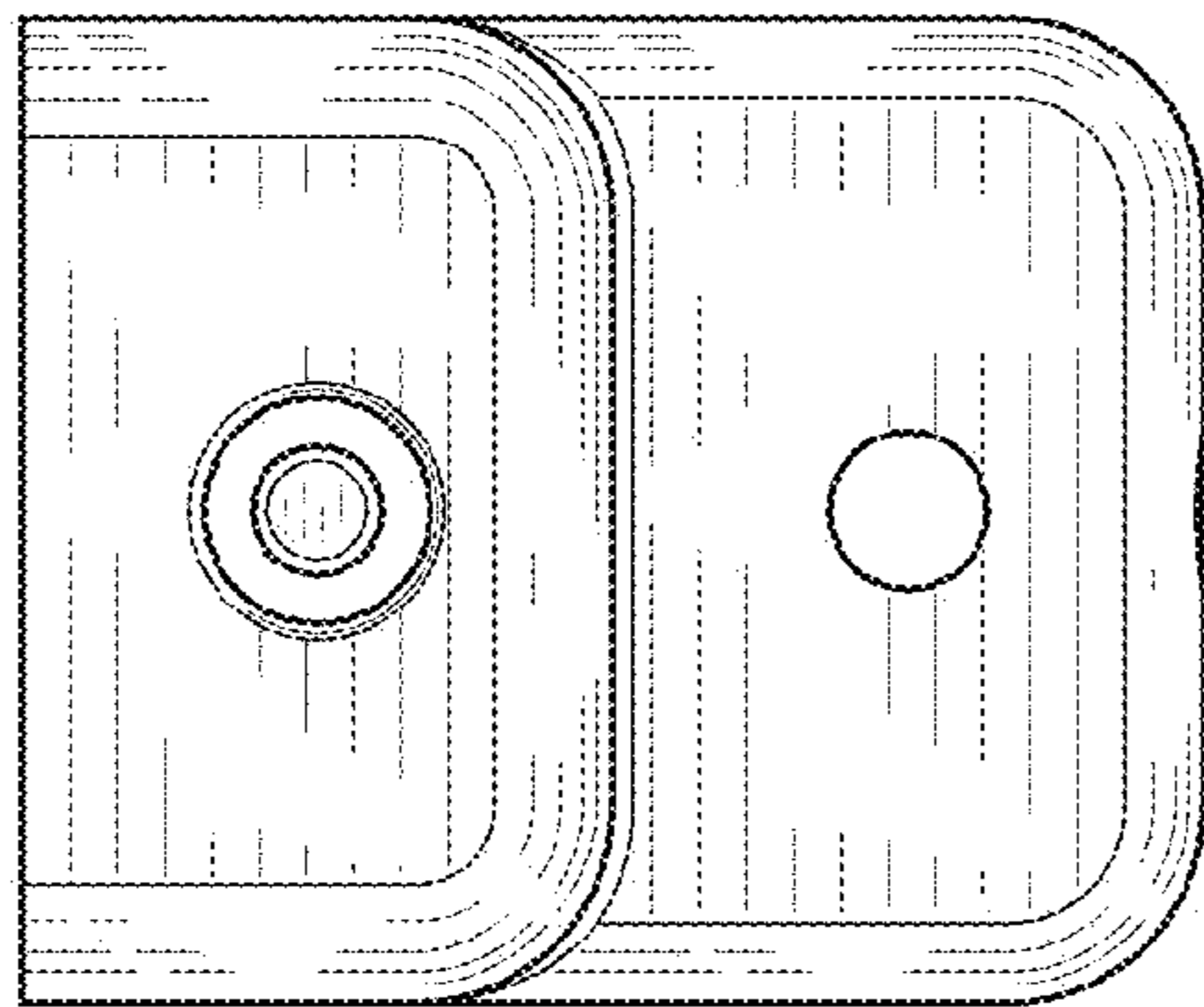


FIG. 4

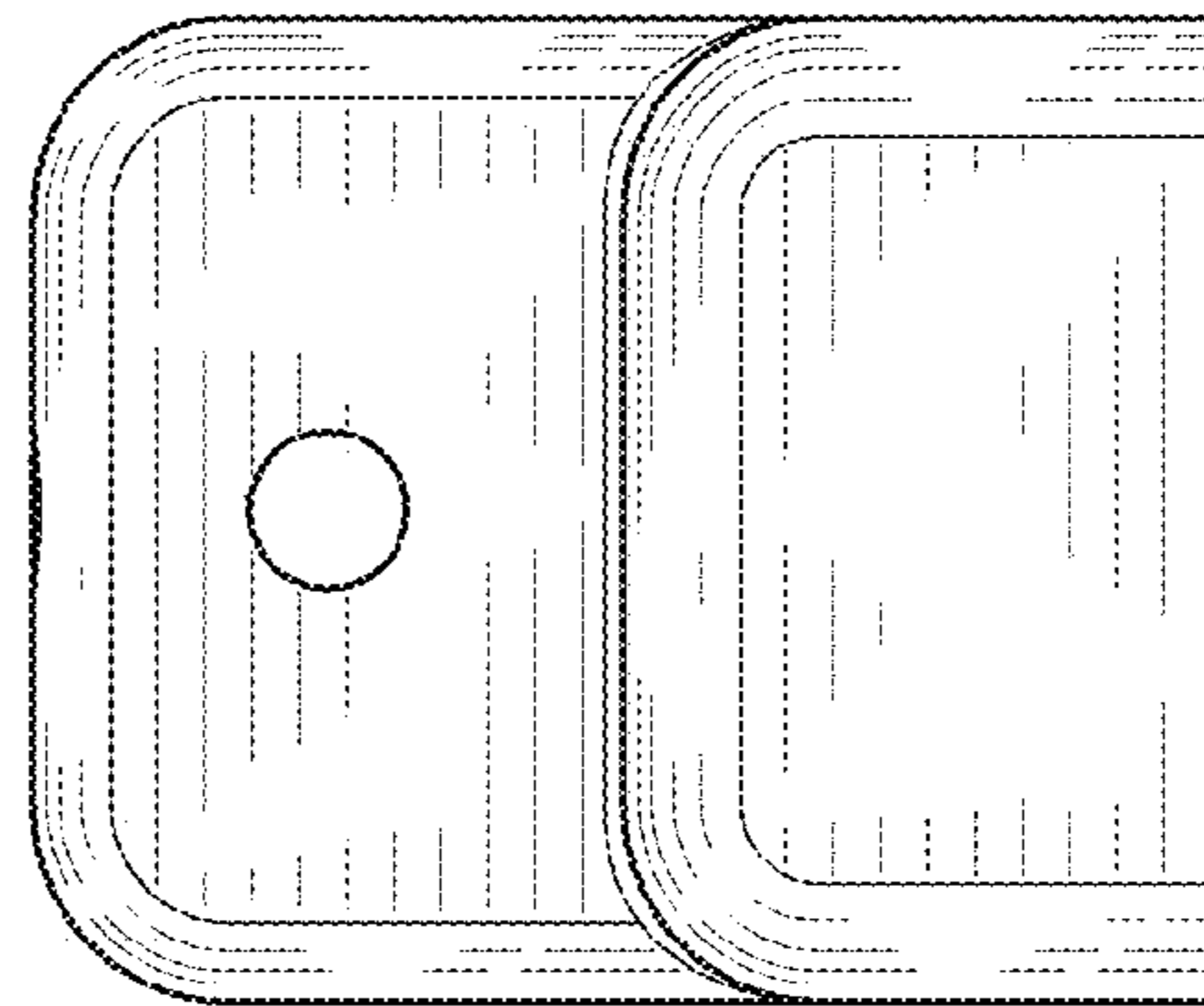


FIG. 5

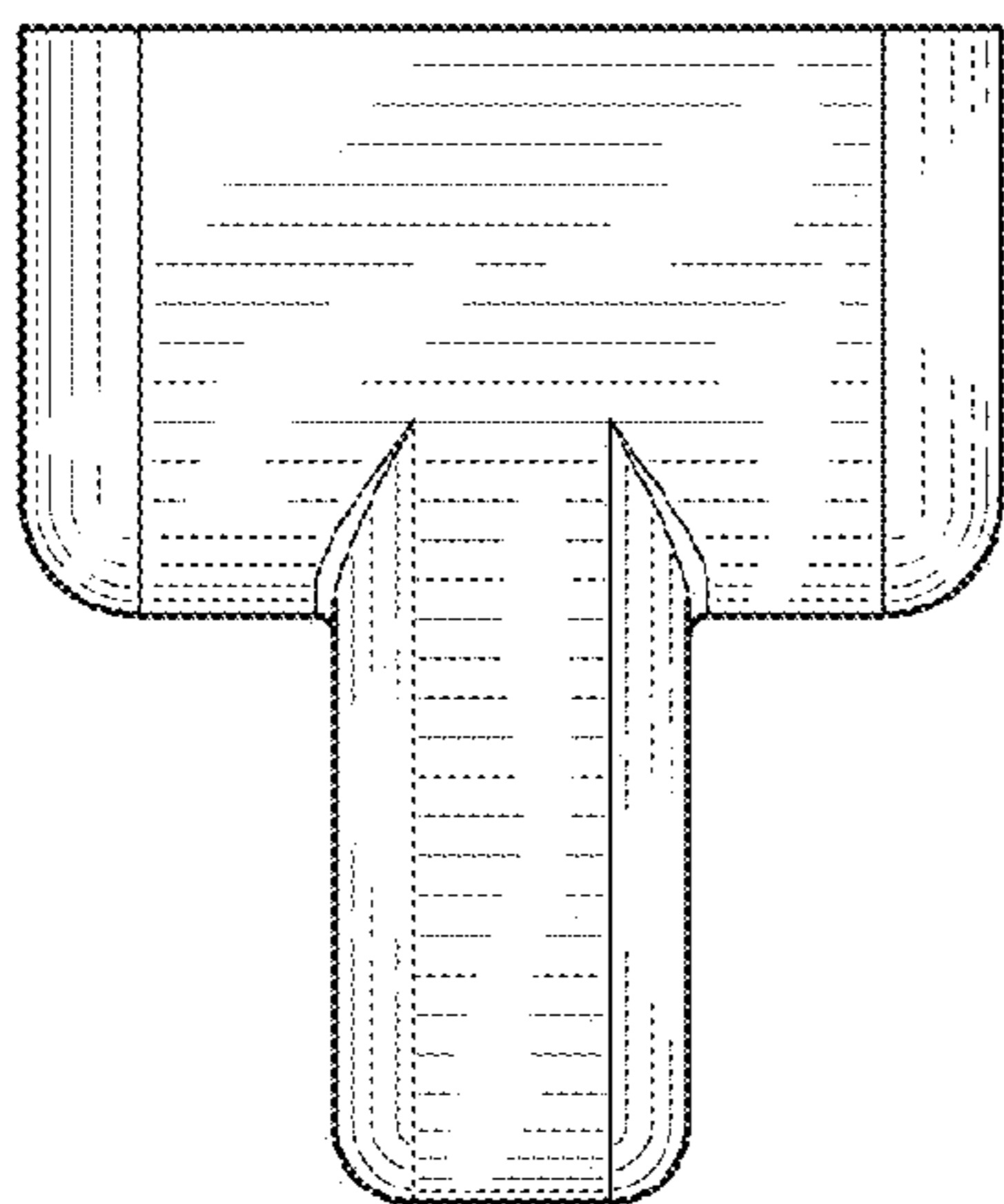


FIG. 6

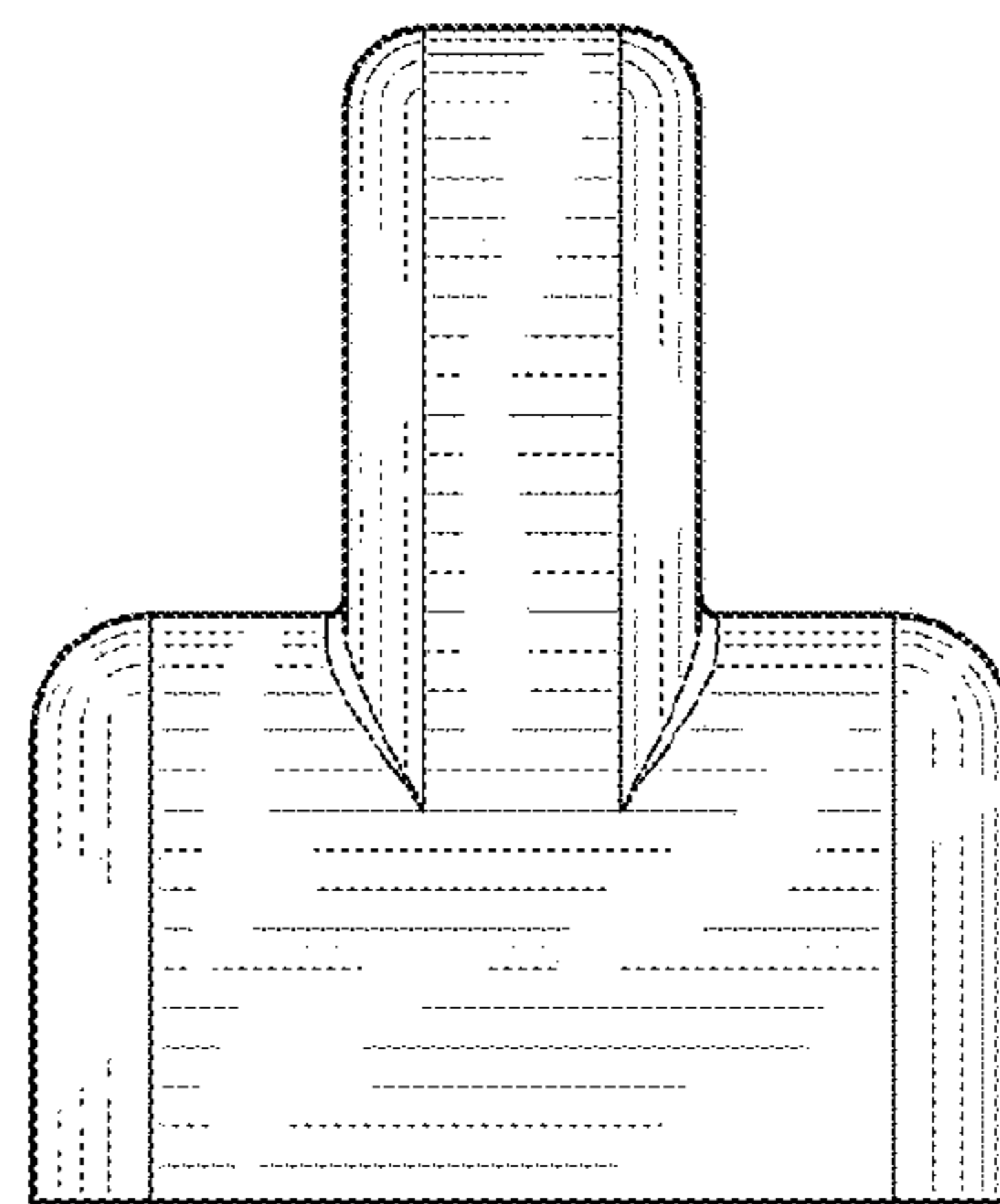


FIG. 7