



US00D697084S

(12) **United States Design Patent**  
**Scampoli**

(10) **Patent No.:** **US D697,084 S**  
(45) **Date of Patent:** **\*\* Jan. 7, 2014**

(54) **GAS SAMPLING CHAMBER (PUMP HEAD)**

(56) **References Cited**

(75) Inventor: **David Scampoli**, South Glastonbury, CT  
(US)

U.S. PATENT DOCUMENTS

(73) Assignee: **Koninklijke Philips N.V.**, Eindhoven  
(NL)

D258,961 S *	4/1981	Martin	.....	D15/7
D286,292 S *	10/1986	Kingston	.....	D15/9
D352,041 S *	11/1994	Hansen	.....	D15/9
D384,675 S *	10/1997	Murakami et al.	.....	D15/7
D589,532 S *	3/2009	Ehrlich et al.	.....	D15/7
D644,666 S *	9/2011	Fukano et al.	.....	D15/7
D677,281 S *	3/2013	Muller et al.	.....	D15/7

(\*\*) Term: **14 Years**

\* cited by examiner

(21) Appl. No.: **29/428,329**

*Primary Examiner* — Ralf Seifert

(22) Filed: **Jul. 30, 2012**

(57) **CLAIM**

(30) **Foreign Application Priority Data**

The ornamental design for a gas sampling chamber (pump head), as shown and described.

Jan. 31, 2012 (EM) ..... 001983909-0001

(51) **LOC (10) Cl.** ..... **15-02**

(52) **U.S. Cl.**  
USPC ..... **D15/7**

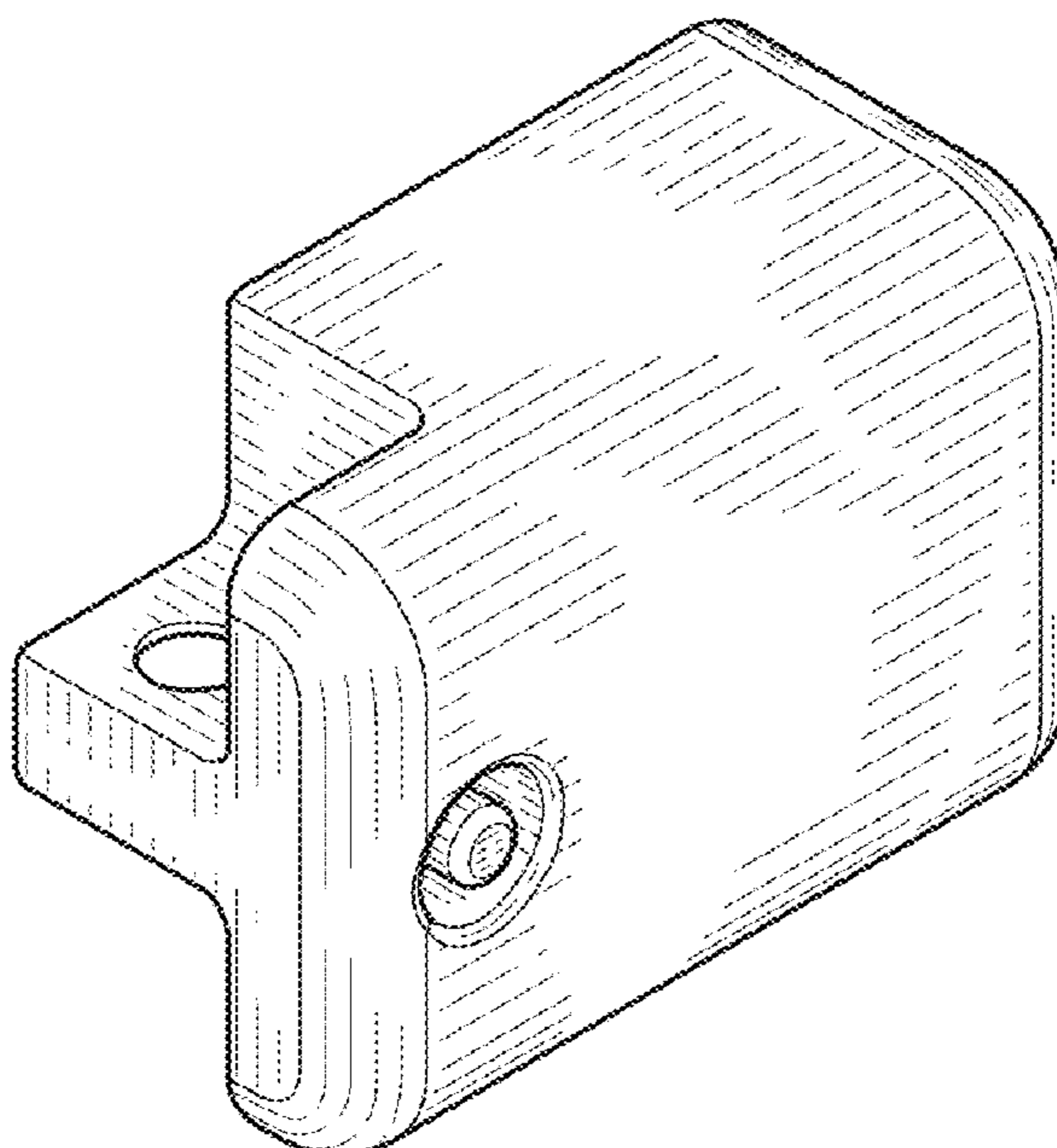
(58) **Field of Classification Search**  
USPC ..... D15/7-9; D23/231, 232, 225; 417/60,  
417/235, 265, 321, 355, 358, 363, 359,  
417/410.1, 415-416, 405, 900, 43, 554;  
60/408, 412; 184/26-37; 415/140-147;  
123/495, 509; 166/105.1, 105.2, 311;  
604/73; D24/109

**DESCRIPTION**

FIG. 1 is a perspective view showing my design;  
FIG. 2 is a front elevational view thereof;  
FIG. 3 is a rear elevational view thereof;  
FIG. 4 is a right side elevational view thereof;  
FIG. 5 is a left side elevational view thereof;  
FIG. 6 is a top plan view thereof; and,  
FIG. 7 is a bottom plan view thereof.  
The broken line showing of unclaimed portions of the article is included for the purpose of illustrating boundaries of the claim and forms no part of the claimed design.  
The broken line showing of an attachment to the article is included for the purpose of illustrating environment and forms no part of the claimed design.

See application file for complete search history.

**1 Claim, 2 Drawing Sheets**



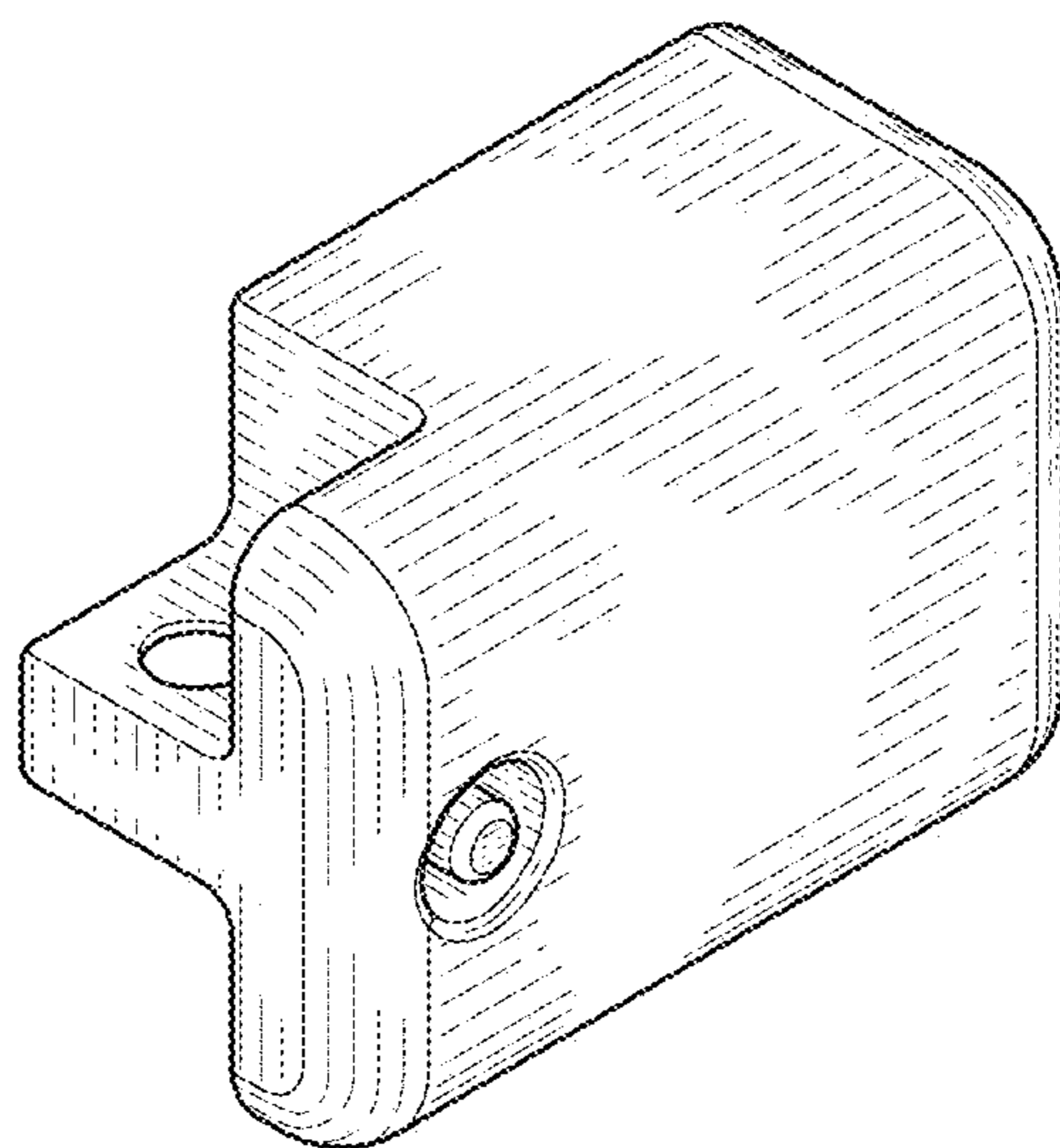


FIG. 1

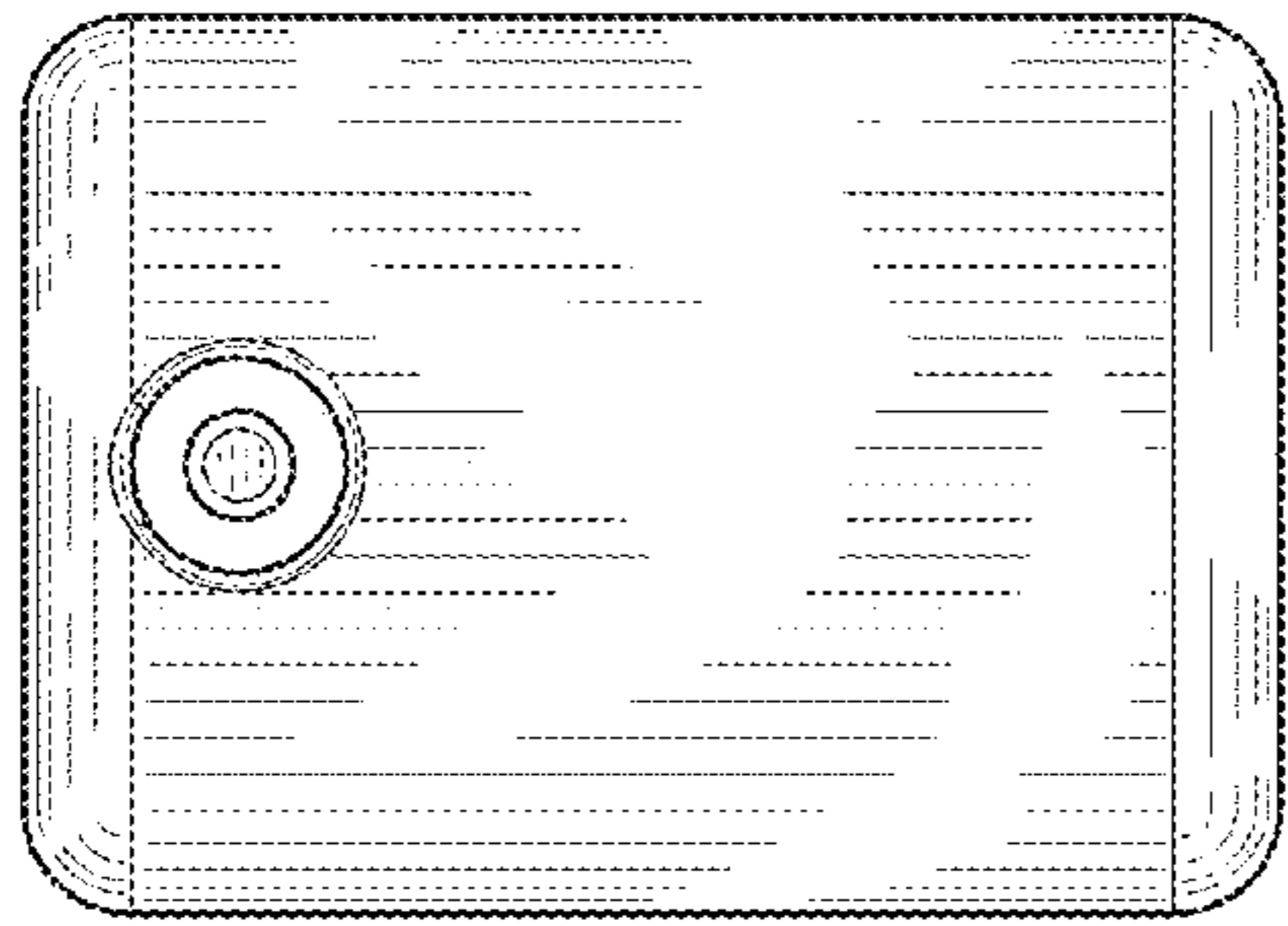


FIG. 2

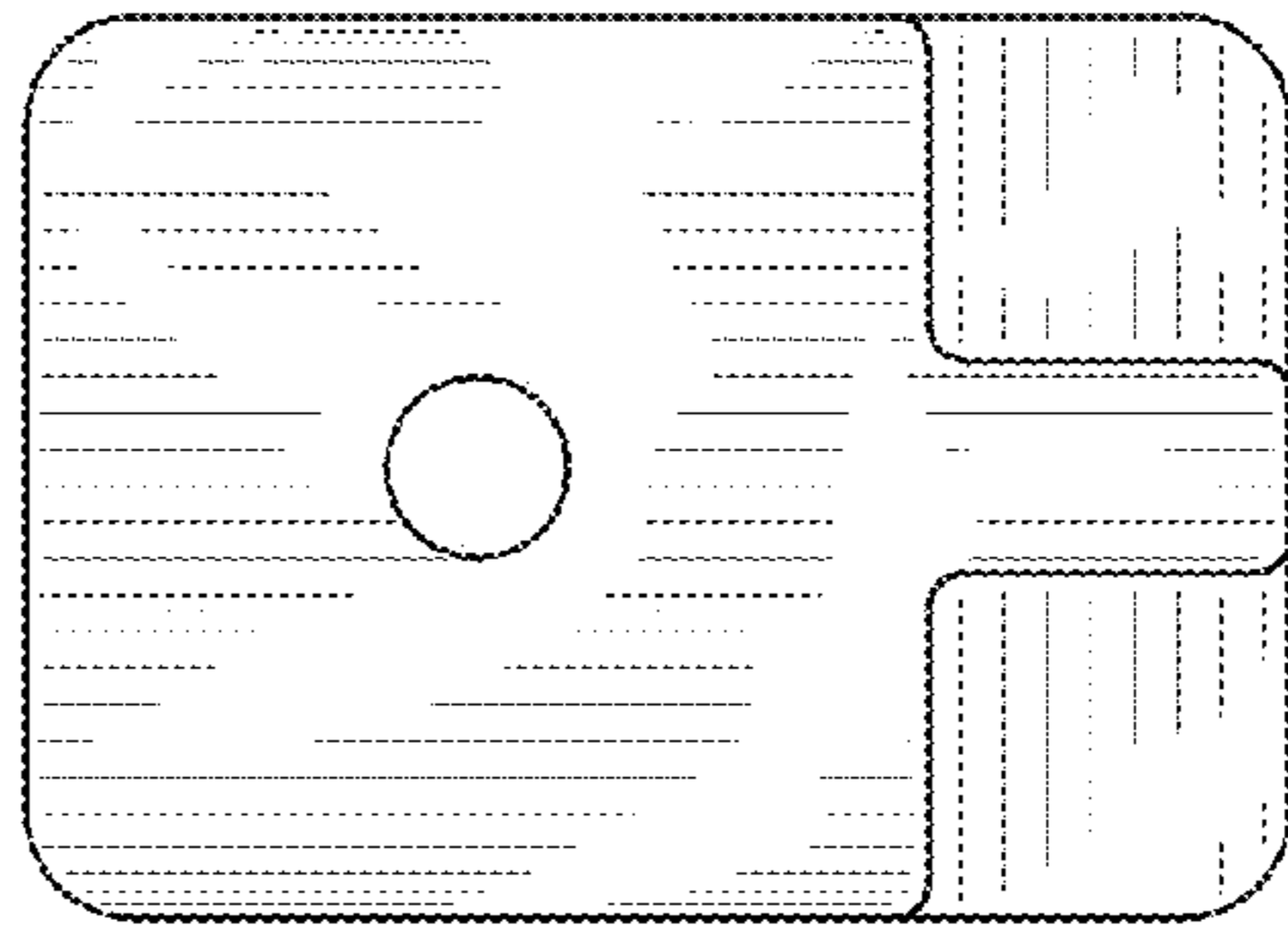


FIG. 3

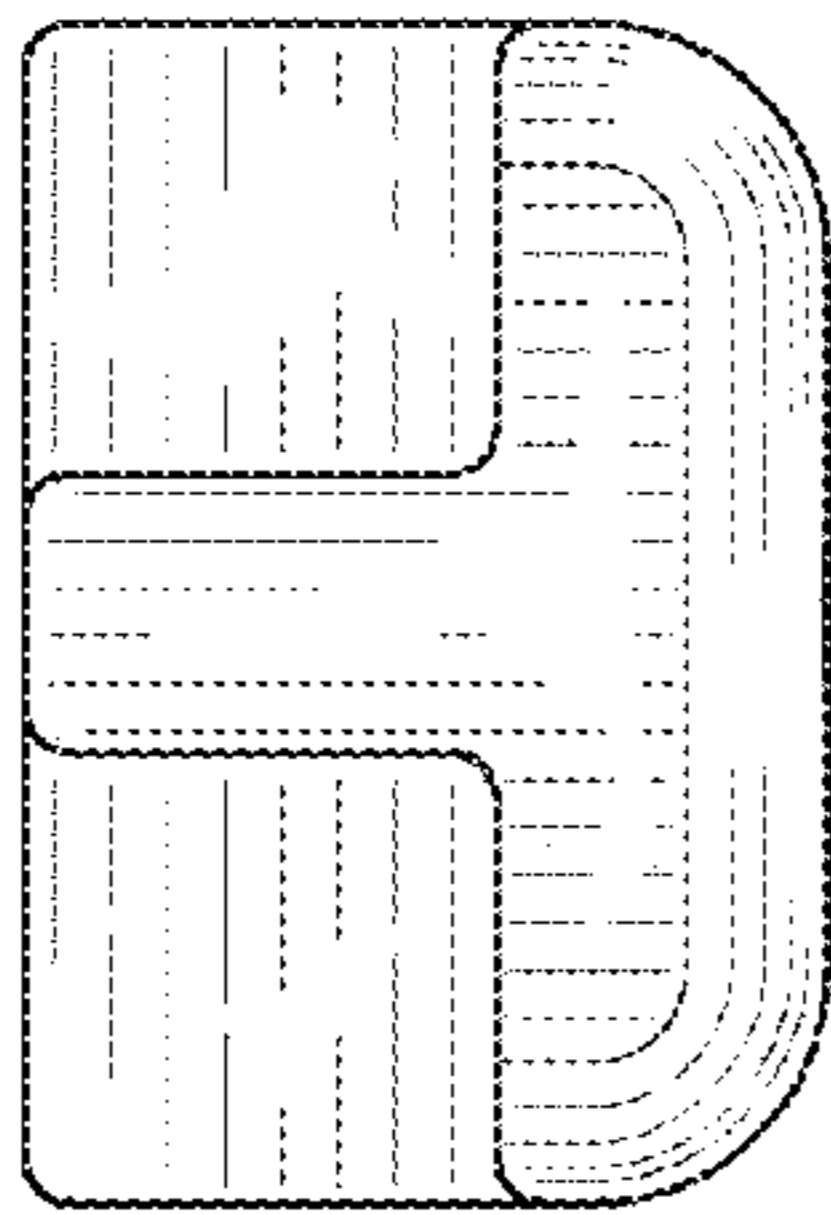


FIG. 4

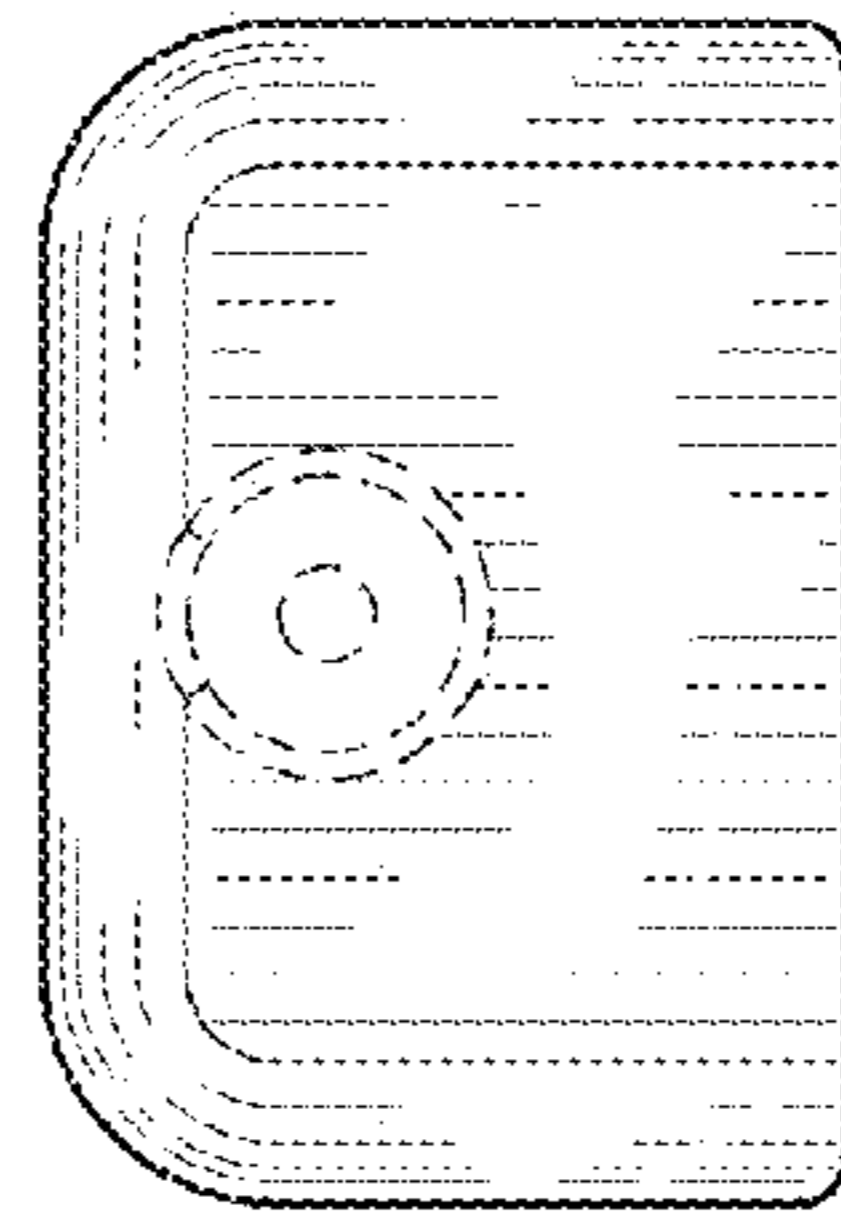


FIG. 5

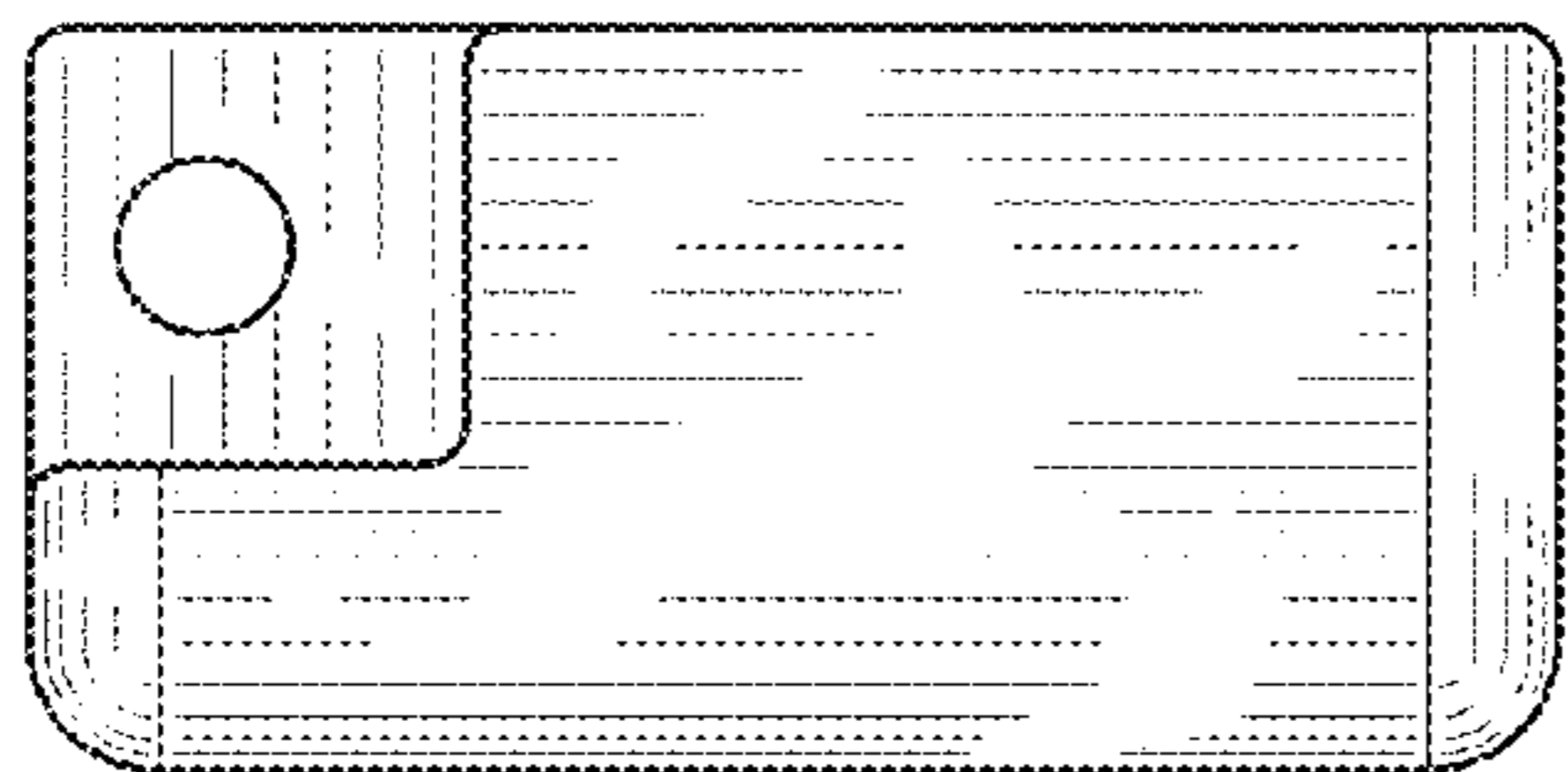


FIG. 6

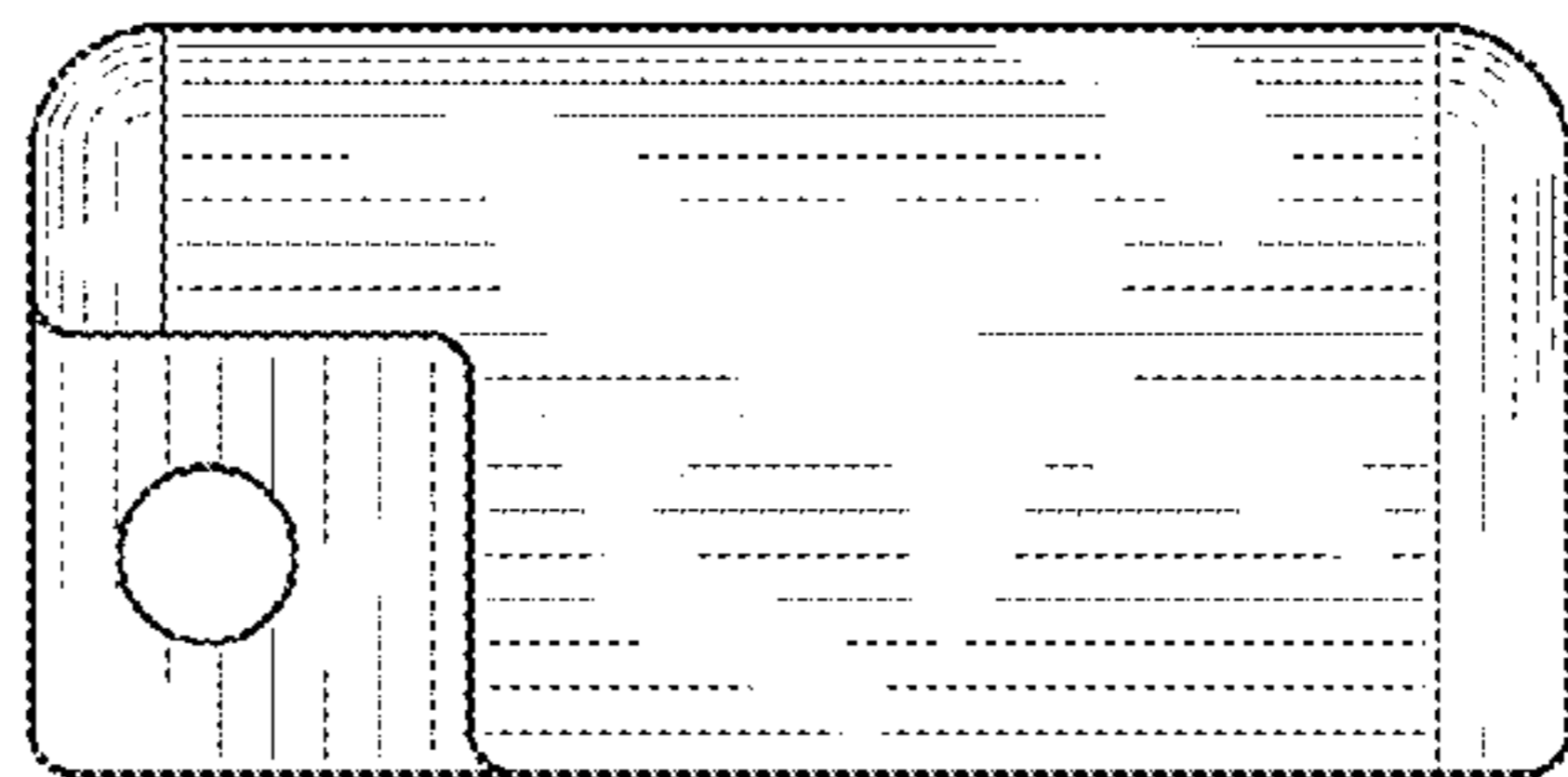


FIG. 7