



US00D697076S

(12) **United States Design Patent**
Oda et al.

(10) **Patent No.:** **US D697,076 S**
(45) **Date of Patent:** **** Jan. 7, 2014**

- (54) **HANDHELD TERMINAL WITH A GRAPHICAL USER INTERFACE**
- (75) Inventors: **Masanori Oda**, Iwakura (JP); **Yuki Takahashi**, Nagoya (JP)
- (73) Assignee: **Brother Industries, Ltd.**, Nagoya (JP)
- (**) Term: **14 Years**
- (21) Appl. No.: **29/401,802**
- (22) Filed: **Sep. 15, 2011**
- (30) **Foreign Application Priority Data**
Mar. 24, 2011 (JP) 2011-6710
- (51) **LOC (10) Cl.** **14-04**
- (52) **U.S. Cl.**
USPC **D14/486**
- (58) **Field of Classification Search**
USPC D14/485-488
See application file for complete search history.

- (56) **References Cited**
U.S. PATENT DOCUMENTS
- | | | | | |
|-----------|------|---------|-----------------------|---------|
| 3,968,639 | A * | 7/1976 | Berets et al. | 368/84 |
| 4,364,672 | A * | 12/1982 | Shibuya et al. | 368/240 |
| 4,752,889 | A * | 6/1988 | Rappaport et al. | 706/11 |
| 5,504,921 | A * | 4/1996 | Dev et al. | 709/223 |
| 6,104,864 | A * | 8/2000 | Kondo et al. | 386/227 |
| 6,546,297 | B1 * | 4/2003 | Gaston et al. | 700/83 |
| D474,197 | S * | 5/2003 | Nguyen D14/486 | |
| D493,177 | S * | 7/2004 | Retuta et al. | D14/486 |
| D501,210 | S * | 1/2005 | Cook D14/486 | |
| D507,002 | S * | 7/2005 | Retuta et al. | D14/486 |
| D511,524 | S * | 11/2005 | Retuta et al. | D14/486 |
| D523,441 | S * | 6/2006 | Sapp et al. | D14/486 |
| 7,213,051 | B2 * | 5/2007 | Zhu et al. | 709/205 |
| D554,655 | S * | 11/2007 | Prater et al. | D14/486 |
| 7,509,348 | B2 * | 3/2009 | Burtner et al. | 1/1 |

- | | | | | |
|--------------|------|---------|-------------------------|---------|
| D593,111 | S * | 5/2009 | Danton D14/485 | |
| 7,596,701 | B2 * | 9/2009 | Varghese et al. | 713/182 |
| D607,007 | S * | 12/2009 | Kocmick D14/489 | |
| D607,466 | S * | 1/2010 | Prater et al. | D14/486 |
| D607,894 | S * | 1/2010 | Prater et al. | D14/486 |
| D627,360 | S * | 11/2010 | Aarseth D14/485 | |
| D630,643 | S * | 1/2011 | Wilson D14/486 | |
| D651,611 | S * | 1/2012 | Ouilhet et al. | D14/489 |
| 8,358,278 | B2 * | 1/2013 | Lim et al. | 345/173 |
| 8,433,376 | B2 * | 4/2013 | Self 455/575.1 | |
| 2007/0256029 | A1 * | 11/2007 | Maxwell 715/834 | |
| 2007/0271528 | A1 * | 11/2007 | Park et al. | 715/810 |
| 2009/0199132 | A1 * | 8/2009 | Chong et al. | 715/810 |
| 2010/0306693 | A1 * | 12/2010 | Brinda 715/784 | |
| 2011/0257795 | A1 * | 10/2011 | Narayanamurthy et al. . | 700/277 |
| 2011/0264582 | A1 * | 10/2011 | Kim et al. | 705/40 |
| 2012/0131504 | A1 * | 5/2012 | Fadell et al. | 715/810 |
| 2012/0296488 | A1 * | 11/2012 | Dharwada et al. | 700/296 |

* cited by examiner

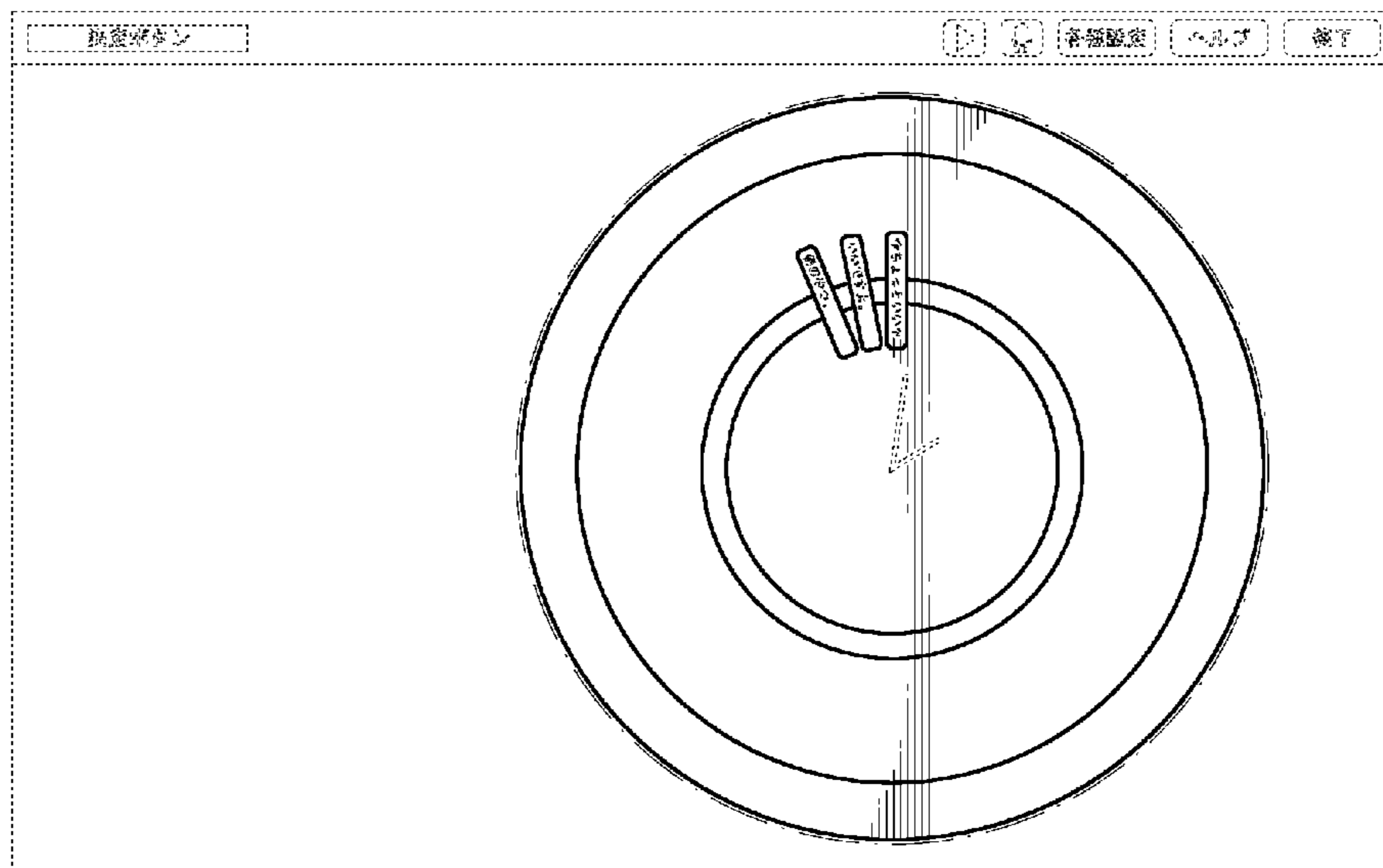
Primary Examiner — Karen E Kearney
(74) *Attorney, Agent, or Firm* — Oliff & Berridge, PLC

(57) **CLAIM**
The ornamental design for a handheld terminal with a graphical user interface, as shown and described.

DESCRIPTION

FIG. 1 is a front view of a handheld terminal with a graphical user interface;
FIG. 2 is a front view according to a second embodiment thereof; and,
FIG. 3 is a front view according to a third embodiment thereof.
The broken line depictions of the portion of the handheld terminal and portions of the graphical user interface are included for the purpose of illustrating environmental structure and portions of the article and form no part of the claimed design. The dot chain lines represent the bounds of the claimed design and form no part of the claimed design.

1 Claim, 3 Drawing Sheets



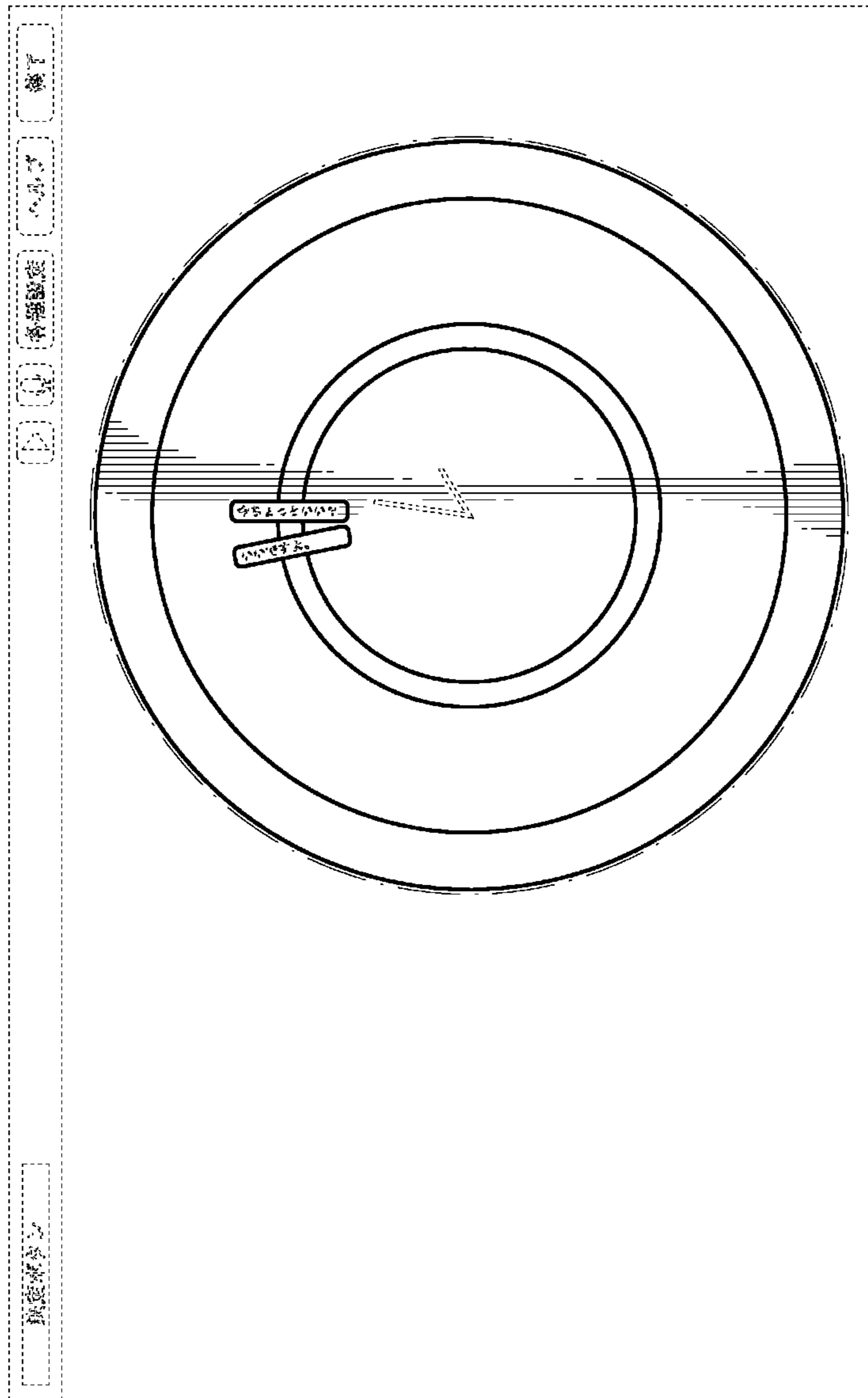


FIG. 1

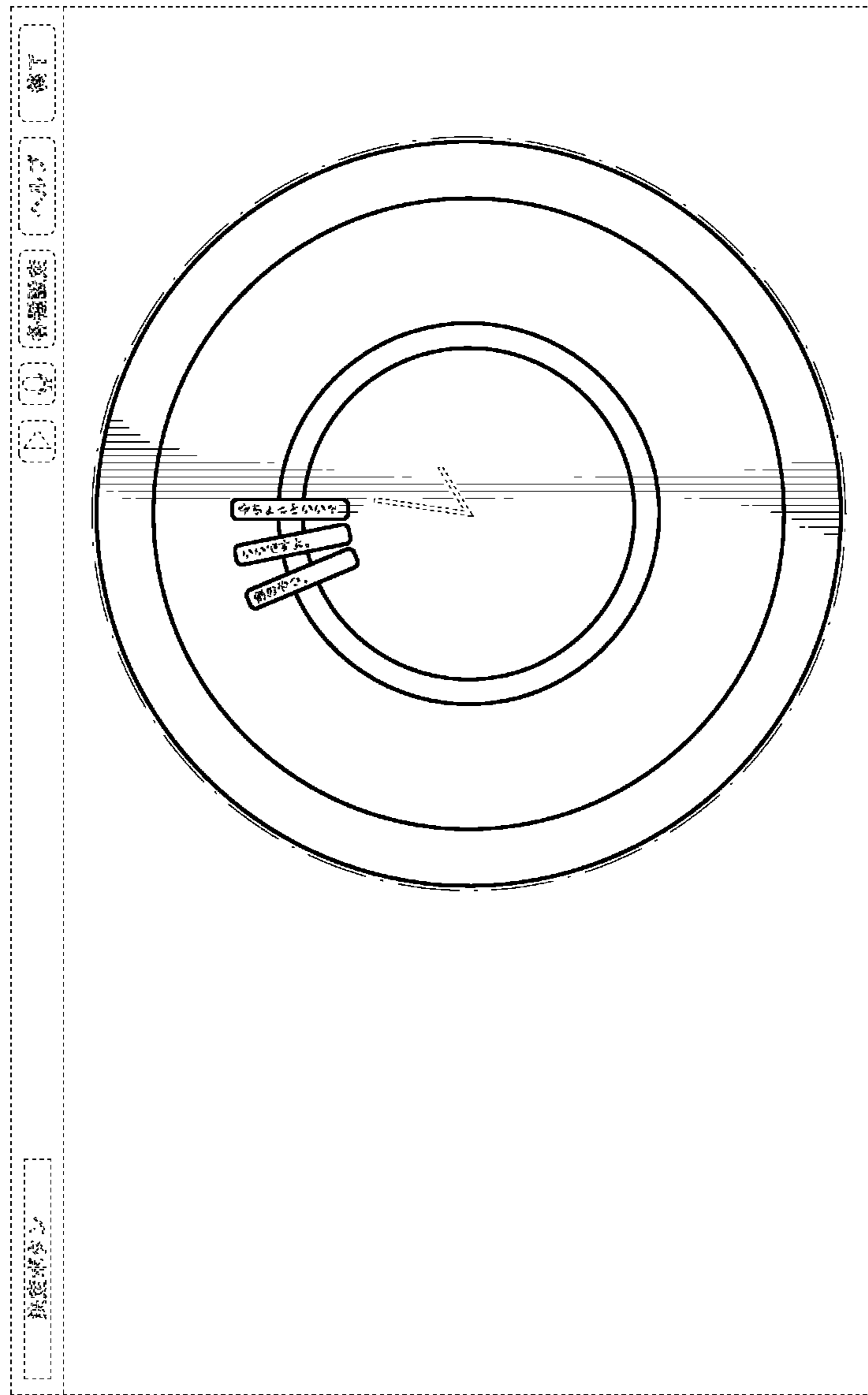


FIG. 2

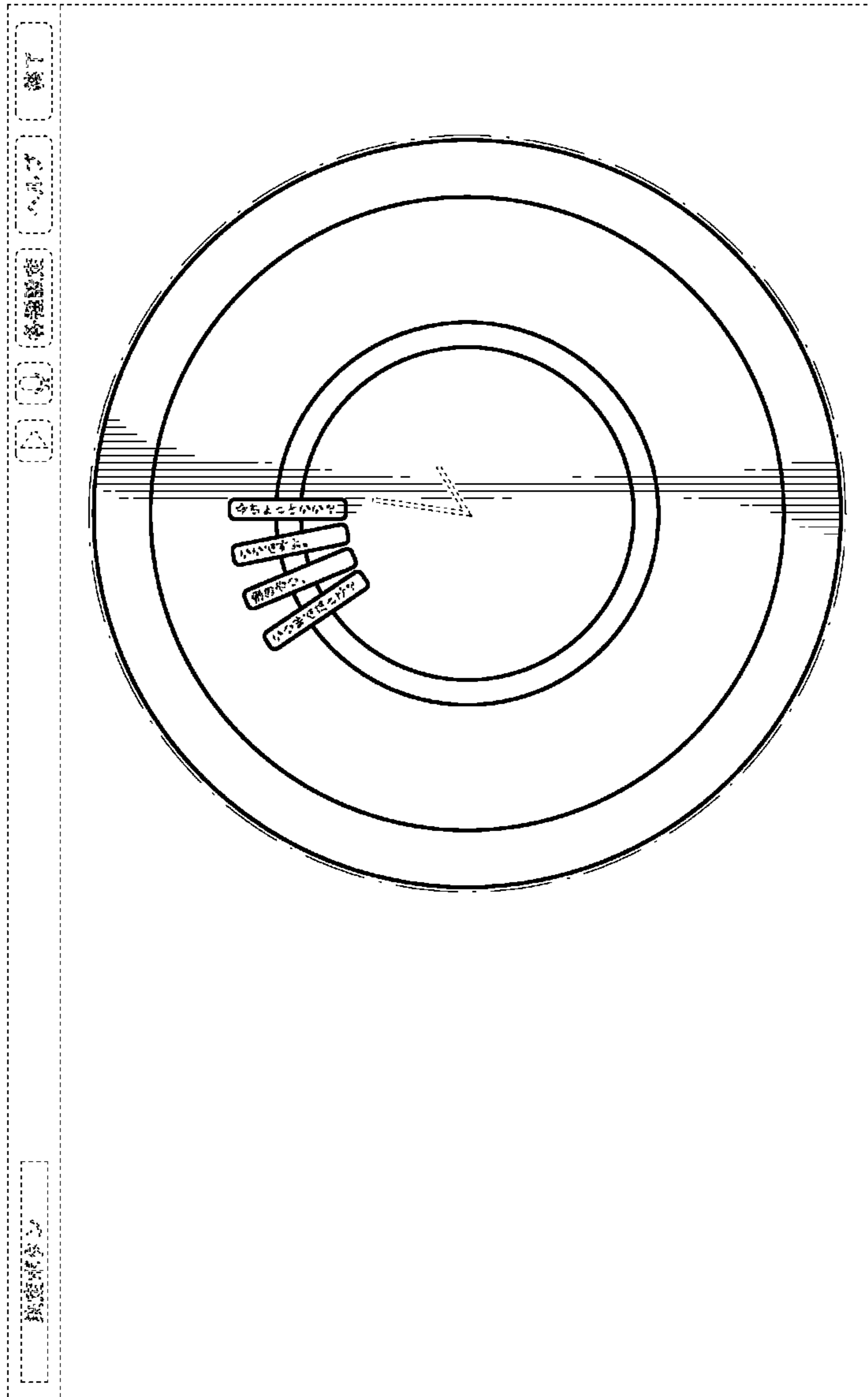


FIG. 3