

US00D697070S

(12) **United States Design Patent**  
**Sabry**

(10) **Patent No.:** **US D697,070 S**

(45) **Date of Patent:** **\*\* Jan. 7, 2014**

(54) **FLEXIBLE VCD HAVING DOMED CENTER AND FLAT CENTRAL BOTTOM RING**

(76) Inventor: **Mohammed Mohab Sabry**, Rancho Cucamonga, CA (US)

(\*\*) Term: **14 Years**

(21) Appl. No.: **29/404,553**

(22) Filed: **Oct. 21, 2011**

**Related U.S. Application Data**

(63) Continuation of application No. 12/467,173, filed on May 15, 2009, now abandoned.

(51) **LOC (10) Cl.** ..... **14-99**

(52) **U.S. Cl.**  
USPC ..... **D14/478**

(58) **Field of Classification Search**

USPC ..... D14/432, 435-438, 474, 478-480, 483, D14/484, 217, 260.1, 299; D21/324, 333, D21/443, 444; 360/131-135; 369/272.1, 369/274, 275.5, 280, 282, 283; 720/725, 720/734, 738, 740, 741; D11/95, 99, 108, D11/109, 165, 167, 168, 178-180, 184

See application file for complete search history.

(56) **References Cited**

U.S. PATENT DOCUMENTS

2,846,230	A *	8/1958	Richter	369/278
3,132,866	A *	5/1964	Nitti et al.	369/280
6,865,745	B2 *	3/2005	Myrtle	720/724
7,947,352	B2 *	5/2011	Sabry	428/64.1
8,191,087	B2 *	5/2012	Takazawa	720/718
2002/0075794	A1 *	6/2002	Park	369/282
2009/0220724	A1 *	9/2009	Sabry	428/64.4

\* cited by examiner

*Primary Examiner* — Austin Murphy

(74) *Attorney, Agent, or Firm* — Steins & Associates, P.C.

(57) **CLAIM**

What is claimed is the ornamental design for a flexible VCD having domed center and flat central bottom ring, as shown.

**DESCRIPTION**

FIG. 1 is a top perspective view of the flexible VCD having domed center and flat central bottom ring;

FIG. 2 is a second top perspective view of the of the flexible VCD having domed center and flat central bottom ring;

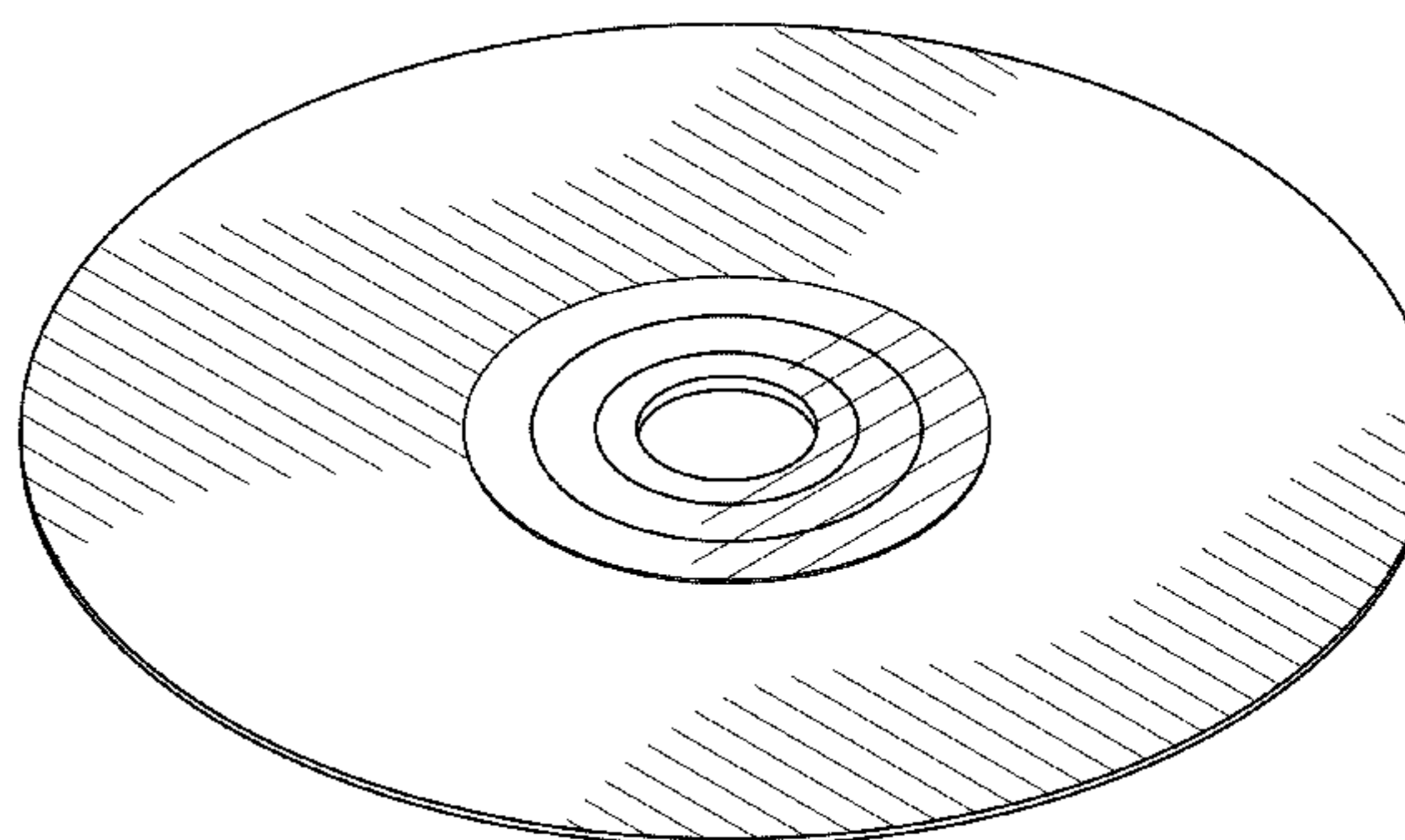
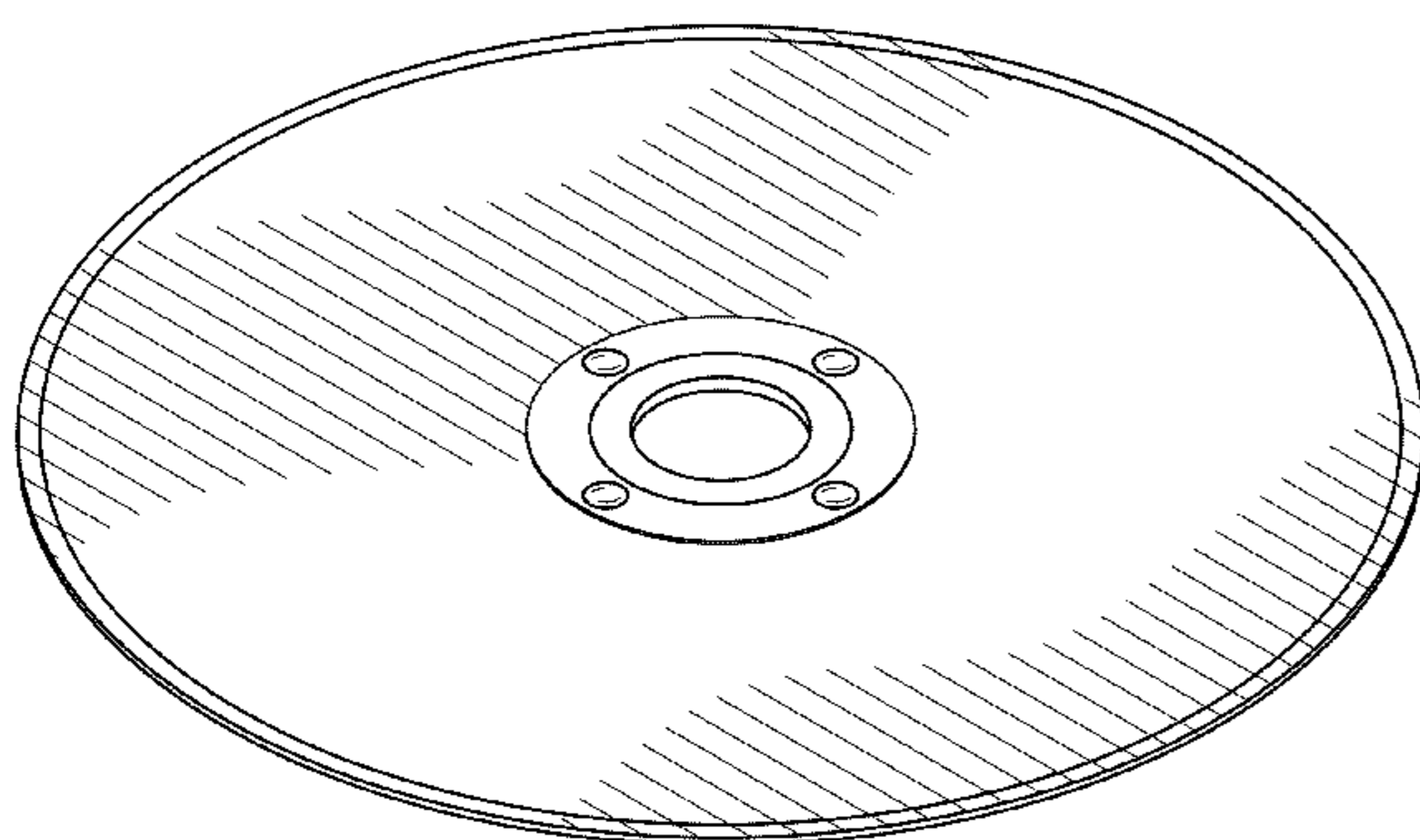
FIG. 3 is a bottom perspective view of the flexible VCD having domed center and flat central bottom ring;

FIG. 4 is a side view of the flexible VCD having domed center and flat central bottom ring;

FIG. 5 is a top view of the flexible VCD having domed center and flat central bottom ring; and,

FIG. 6 is a bottom view of the flexible VCD having domed center and flat central bottom ring.

**1 Claim, 5 Drawing Sheets**



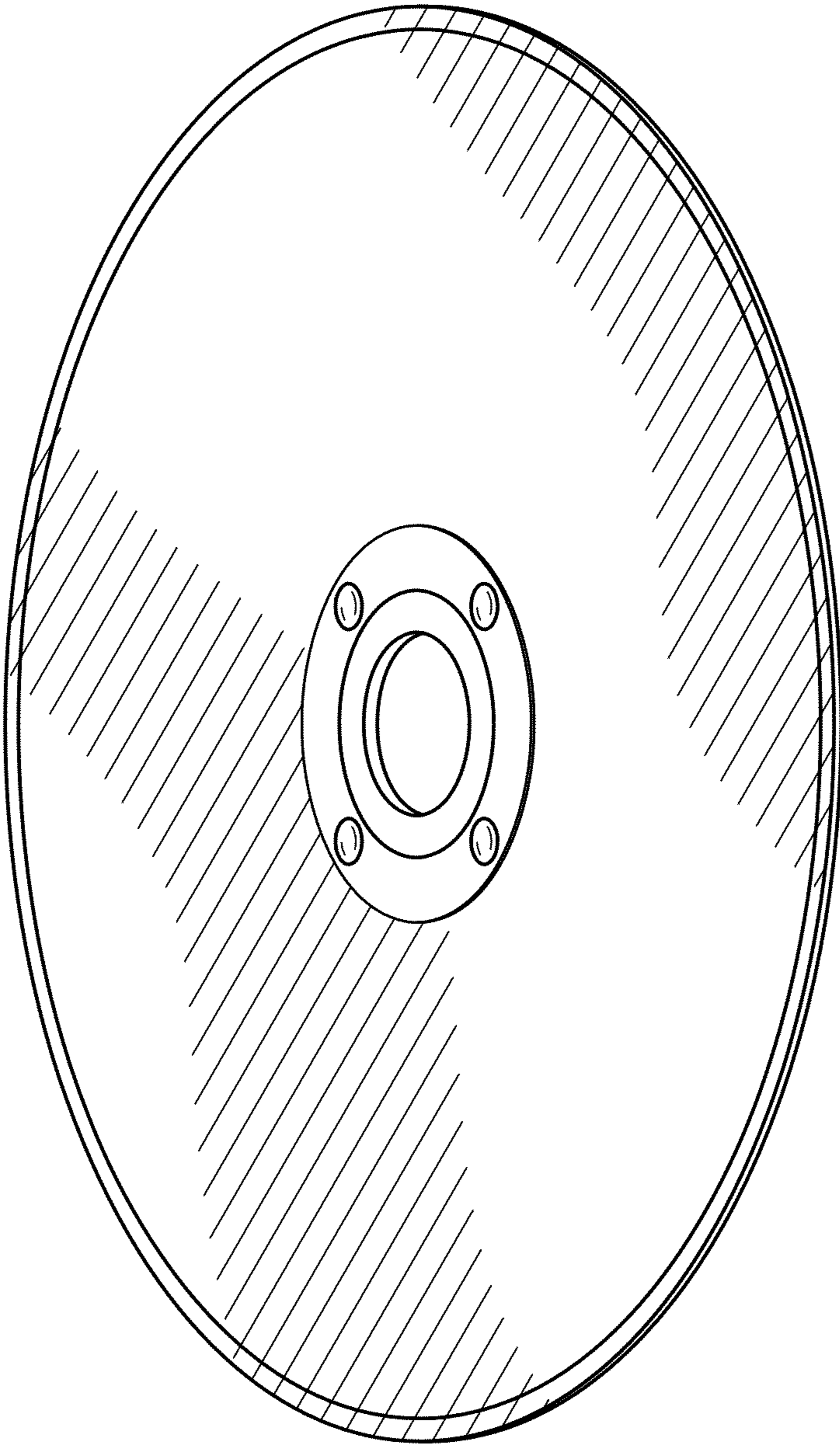


FIG. 1

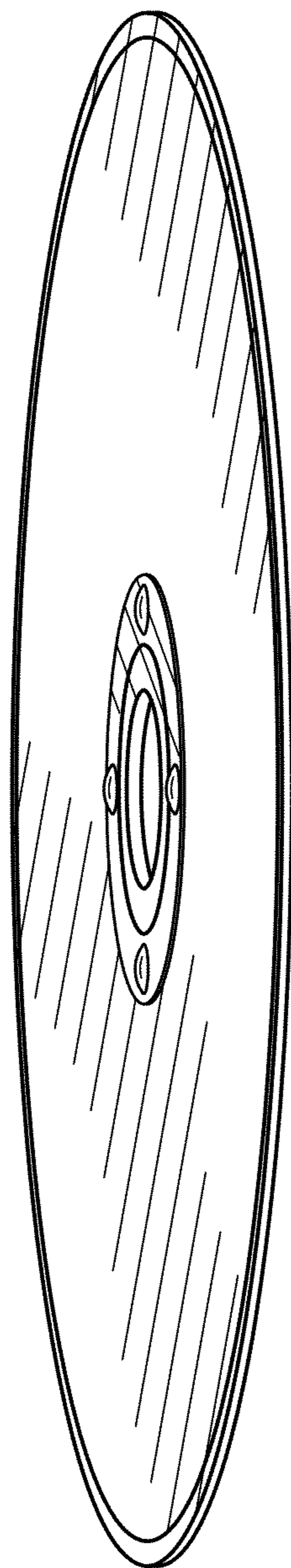


FIG. 2



FIG. 3

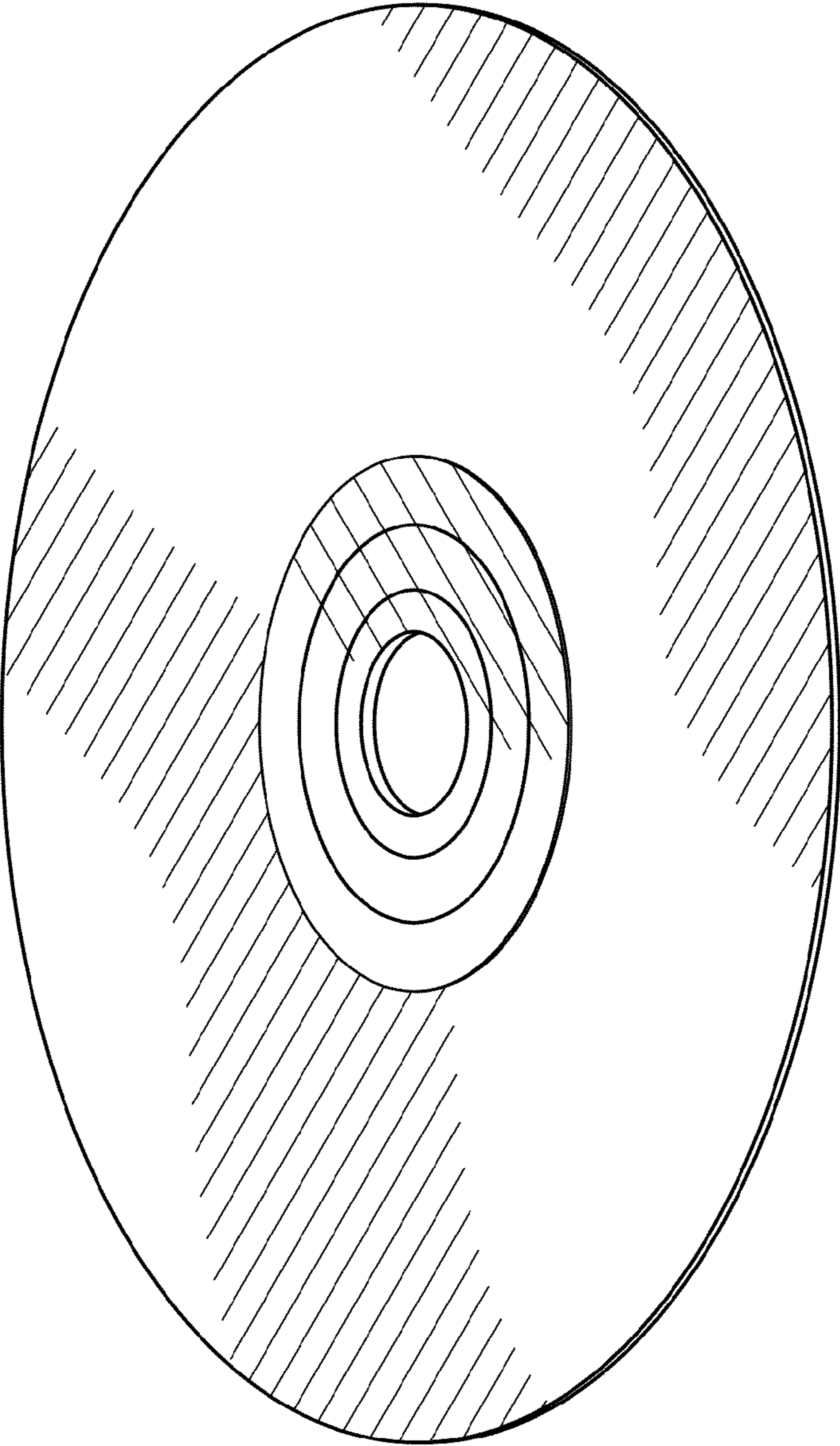


FIG. 4

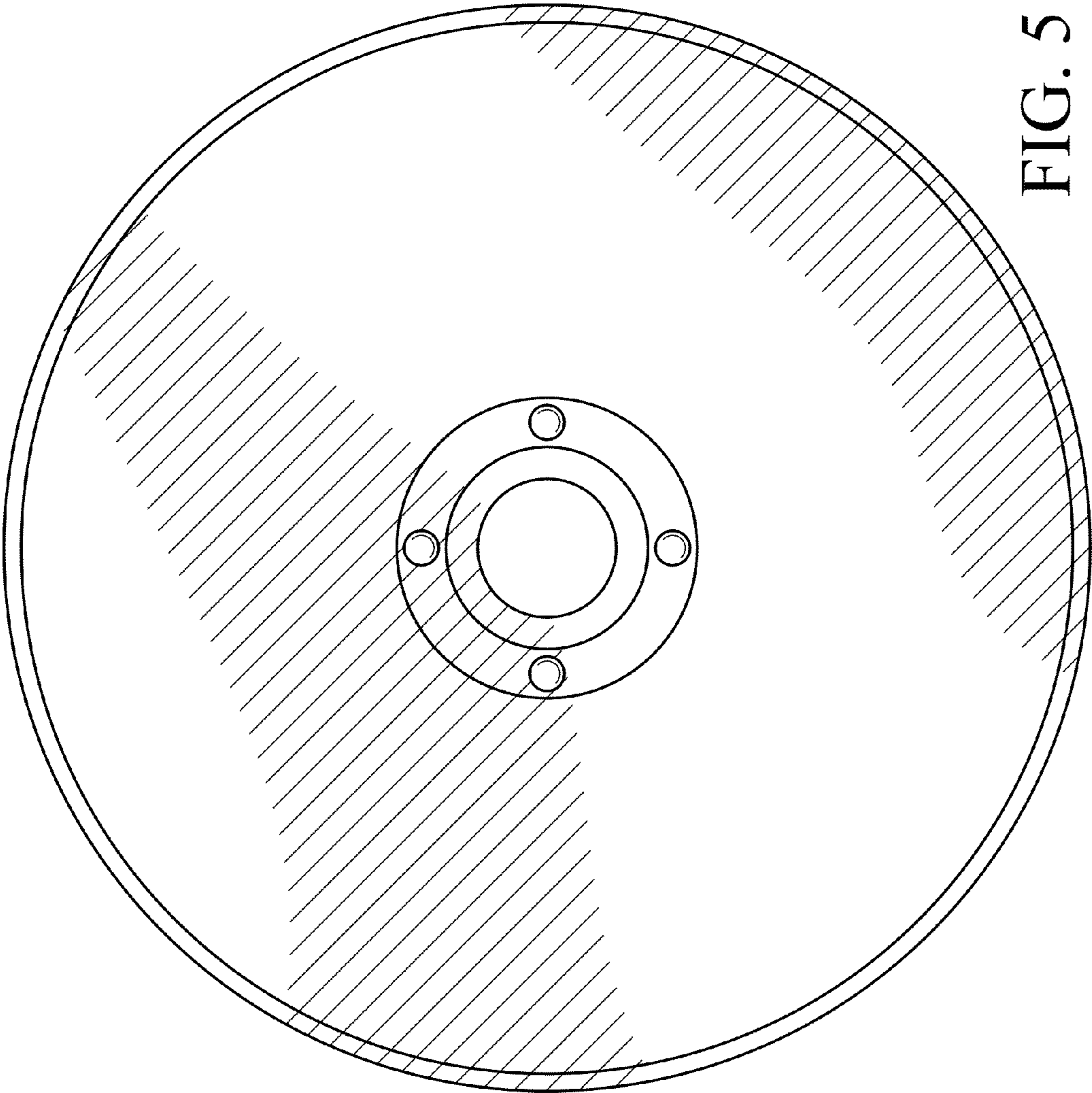


FIG. 5

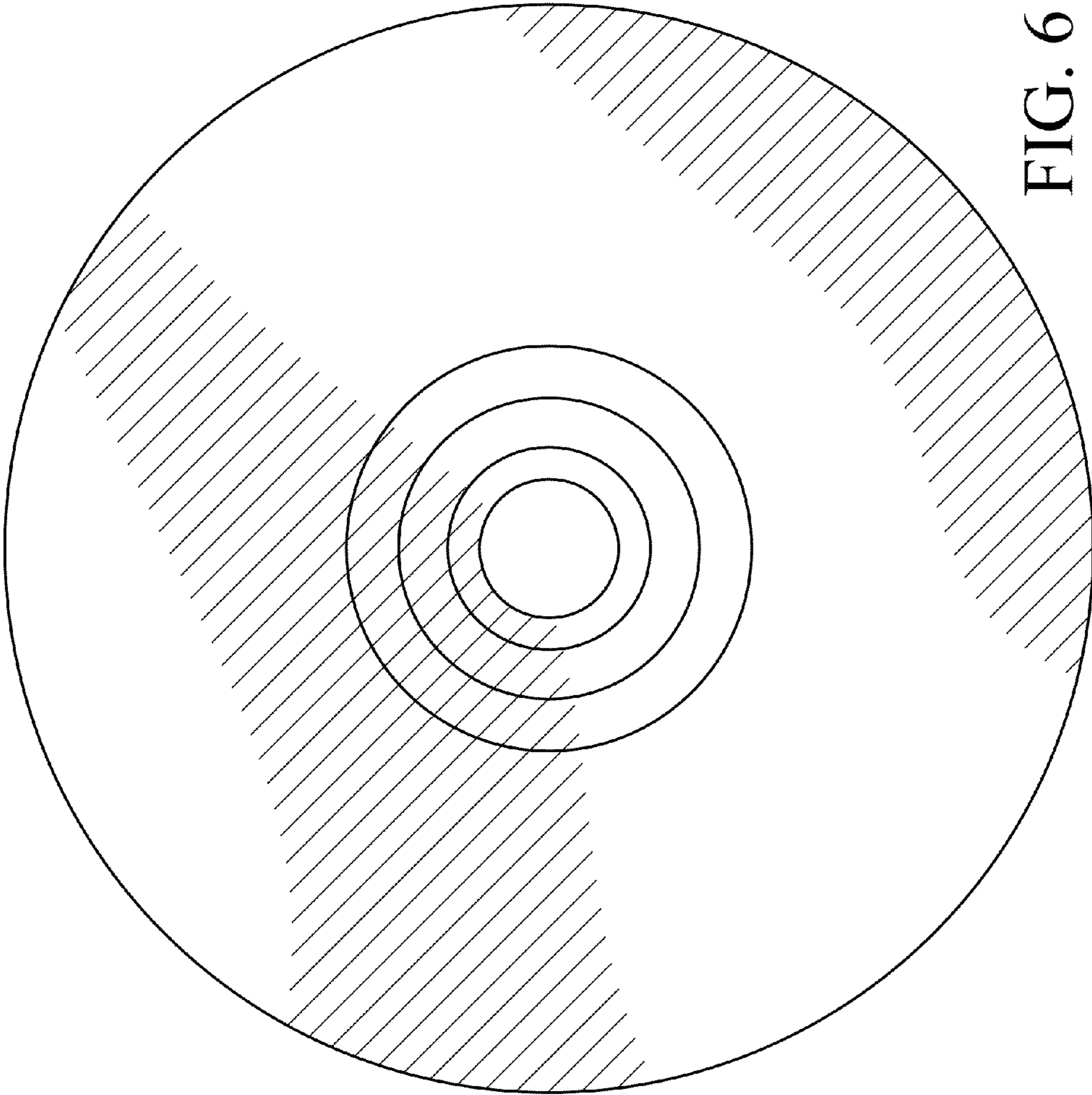


FIG. 6