

US00D697069S

(12) **United States Design Patent**
Tak et al.

(10) **Patent No.:** **US D697,069 S**
(45) **Date of Patent:** **** Jan. 7, 2014**

(54) **MULTI-POSITION STAND DEVICE**

(71) Applicant: **Continuum, LLC**, West Newton, MA (US)

(72) Inventors: **Junggeun Tak**, San Francisco, CA (US);
Kevin Young, Needham, MA (US);
Christopher James Page, Cambridge, MA (US); **Christopher C. Michaud**, Hopkinton, MA (US)

(73) Assignee: **Felix Brand LLC**, Hopkinton, MA (US)

(**) Term: **14 Years**

(21) Appl. No.: **29/436,758**

(22) Filed: **Nov. 8, 2012**

(51) **LOC (10) Cl.** **08-07**

(52) **U.S. Cl.**
USPC **D14/447**

(58) **Field of Classification Search**
USPC D14/447, 432, 434, 439, 448, 451, 452, D14/457, 239, 250, 251, 253, 238.1, 440, D14/205, 223, 224, 224.1, 229; D13/108; D6/406.1, 406.2, 406.3, 406.4, 406.5, D6/406.6, 601; 248/917-924, 363, 445, 248/447, 451, 455, 456, 460, 371, 166, 434, 248/188.6; 361/726, 679.02, 679.09, 361/679.21, 679.22, 679.26, 679.27, 361/679.29, 679.3, 679.55, 679.56
See application file for complete search history.

(56) **References Cited**

U.S. PATENT DOCUMENTS

D437,709 S * 2/2001 Edstrom D6/406.4
D513,008 S * 12/2005 Takizawa et al. D14/447
7,828,260 B2 * 11/2010 Hauser et al. 248/456
D639,814 S * 6/2011 Farris-Gilbert et al. D14/447
D665,812 S * 8/2012 Huang et al. D14/447
D667,831 S * 9/2012 Stravitz D14/447
D672,783 S * 12/2012 Robinson D14/447
D674,396 S * 1/2013 Yang et al. D14/447
D676,055 S * 2/2013 Izen et al. D14/447

D676,853 S * 2/2013 Gengler D14/447
8,424,465 B2 * 4/2013 Florendo, Jr. 108/9
D682,839 S * 5/2013 Sampson et al. D14/447
D684,963 S * 6/2013 Goodrich D14/253

* cited by examiner

Primary Examiner — Angela J Lee

(74) *Attorney, Agent, or Firm* — Morse, Barnes-Brown & Pendleton, P.C.; Stanley F. Chavire

(57) **CLAIM**

The ornamental design for a multi-position stand, as shown and described.

DESCRIPTION

FIG. 1 is an elevated front perspective view of the multi-position stand device with a receiving member and a support member shown in an operational position.

FIG. 2 is an elevated front perspective view of the multi-position stand device with a receiving member and a support member shown in an operational position supporting an electronic device.

FIG. 3 is a front perspective view, from below, of the multi-position stand device with a receiving member and a support member shown in an operational position.

FIG. 4 is a front perspective view, from below, of the multi-position stand device with a receiving member and a support member shown in an operational position supporting an electronic device.

FIG. 5 is a left side view of the multi-position stand device with a receiving member and a support member shown in an operational position.

FIG. 6 is a left side view of the multi-position stand device with a receiving member and a support member shown in an operational position supporting an electronic device.

FIG. 7 is a left side view of the multi-position stand device with a receiving member and a support member shown in stowed position.

FIG. 8 is a left side view of the multi-position stand device with a receiving member and a support member shown in stowed position stowing an electronic device.

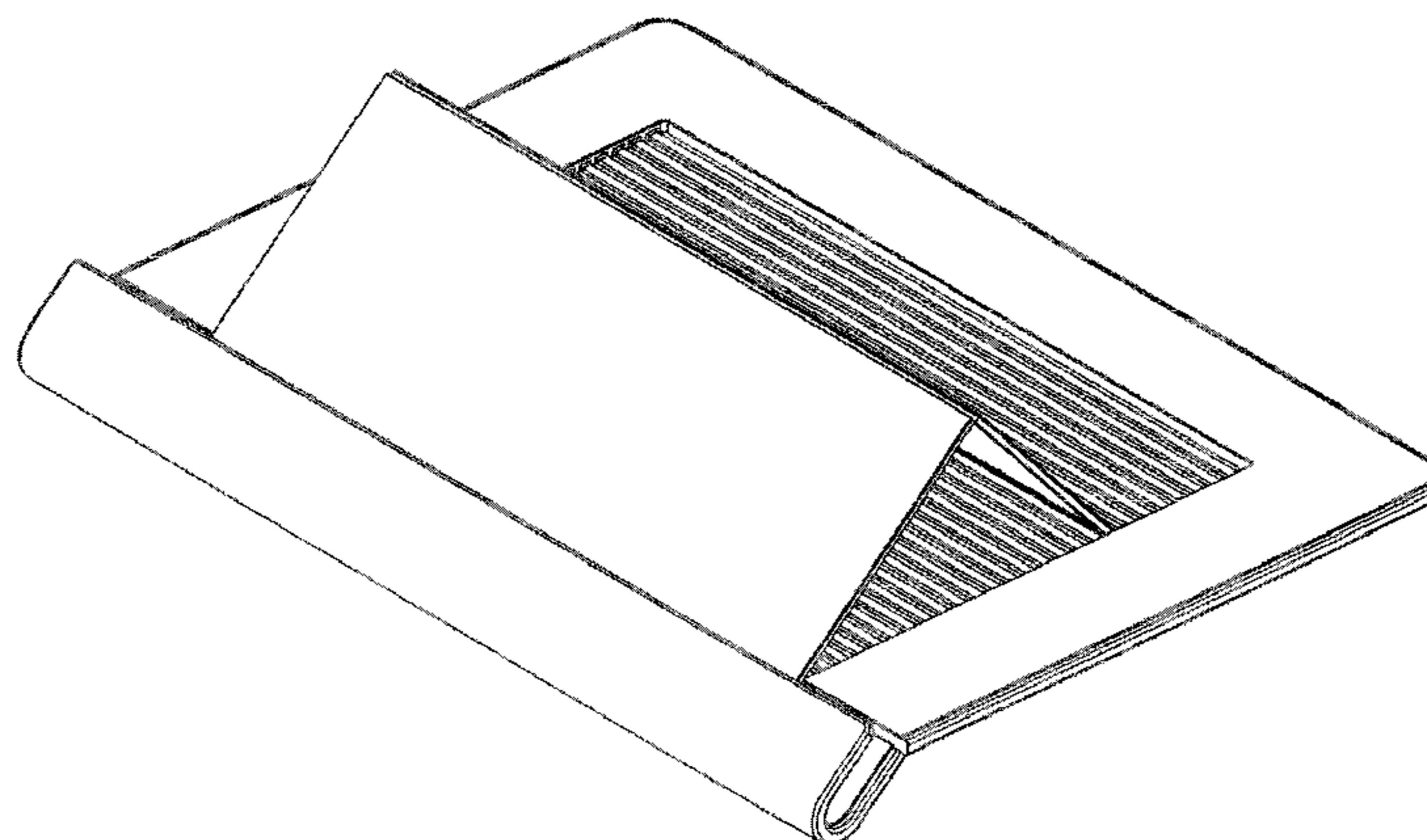


FIG. 9 is a top view of the multi-position stand device with a receiving member and a support member shown in a stowed position.

FIG. 10 is an elevated back perspective view of the multi-position stand device with a receiving member and a support member shown in a stowed position.

FIG. 11 is an elevated back perspective view of the multi-position stand device with a receiving member and a support member shown in a stowed position stowing an electronic device.

FIG. 12 is a front view of the multi-position stand device with a receiving member and a support member shown in a stowed position.

FIG. 13 is a front view of the multi-position stand device with a receiving member and a support member shown in a stowed position stowing an electronic device.

FIG. 14 is a bottom view of the multi-position stand device.

FIG. 15 is a front view of the multi-position stand device with a receiving member and a support member shown in an operational position.

FIG. 16 is a front view of the multi-position stand device with a receiving member and a support member shown in an operational position supporting an electronic device.

FIG. 17 is a left side view of the multi-position stand device with a receiving member and a support member shown in an operational position.

FIG. 18 is a left side view of the multi-position stand device with a receiving member and a support member shown in an operational position supporting an electronic device.

FIG. 19 is an elevated front perspective view of the multi-position stand device with a receiving member and a support member shown in an operational position.

FIG. 20 is an elevated front perspective view of the multi-position stand device with a receiving member and a support member shown in an operational position supporting an electronic device.

FIG. 21 is an elevated back perspective view of the multi-position stand device with a receiving member and a support member shown in an operational position.

FIG. 22 is an elevated back perspective view of the multi-position stand device with a receiving member and a support member shown in an operational position supporting an electronic device.

FIG. 23 is an elevated back perspective view of the multi-position stand device with a receiving member and a support member shown in an operational position.

FIG. 24 is an elevated back perspective view of the multi-position stand device with a receiving member and a support member shown in an operational position supporting an electronic device.

FIG. 25 is a top view of the multi-position stand device with a receiving member and a support member shown in an operational position.

FIG. 26 is a top view of the multi-position stand device with a receiving member and a support member shown in an operational position supporting an electronic device.

FIG. 27 is a top view of the multi-position stand device with a receiving member and a support member shown in an operational position.

FIG. 28 is a top view of the multi-position stand device with a receiving member and a support member shown in an operational position supporting an electronic device.

FIG. 29 is a back perspective view, from below, of the multi-position stand device with a receiving member and a support member shown in a stowed position.

FIG. 30 is a front perspective view, from below, of the multi-position stand device with a receiving member and a support member shown in an operational position; and,

FIG. 31 is a front perspective view, from below, of the multi-position stand device with a receiving member and a support member shown in an operational position supporting an electronic device.

The inclusion of the electronic device in the foregoing figures is for illustrative purposes only and forms no part of the claimed design. In addition the broken line disclosure is for illustrative purposes only and forms no part of the claimed design.

1 Claim, 31 Drawing Sheets

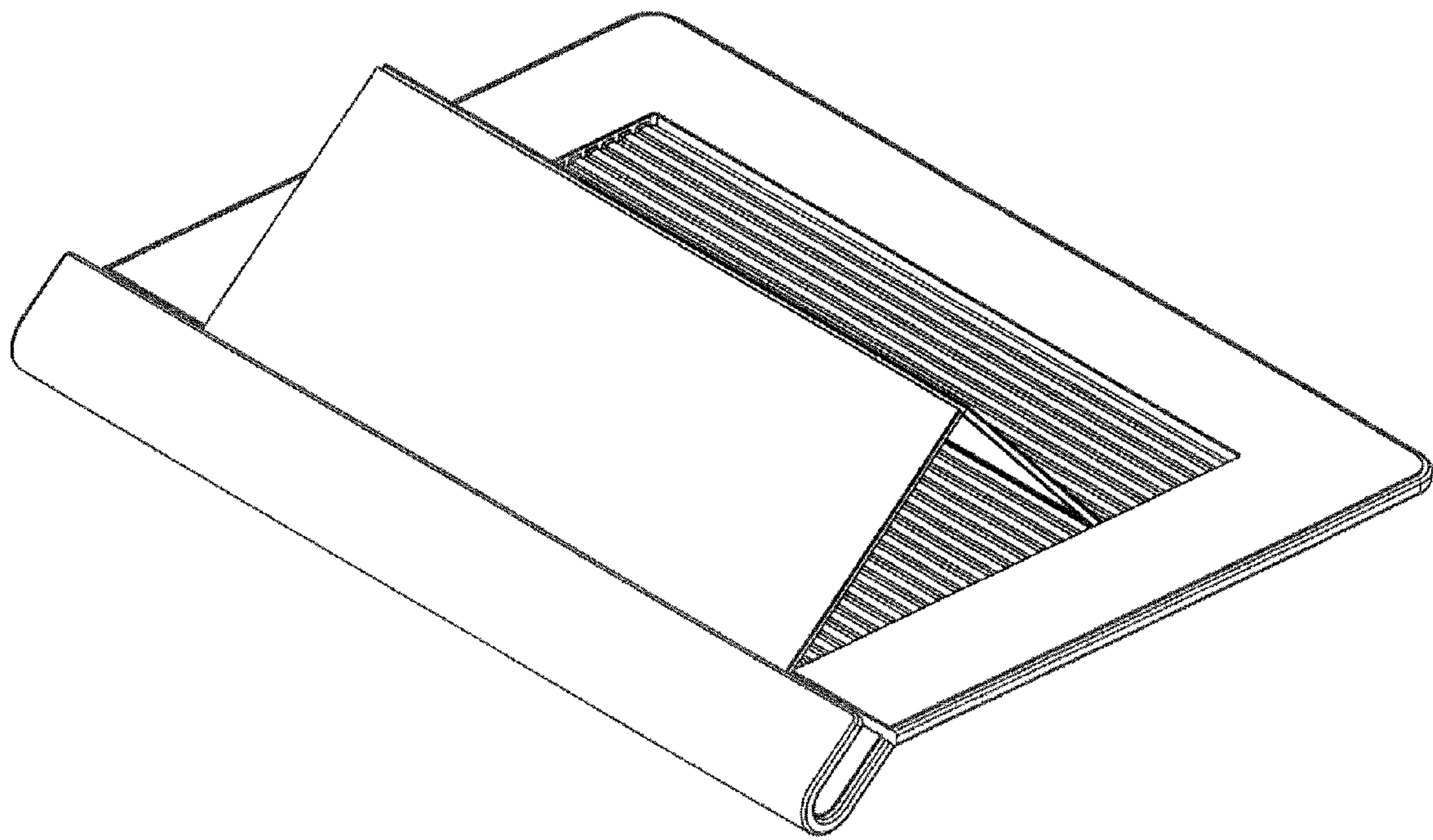


FIG. 1

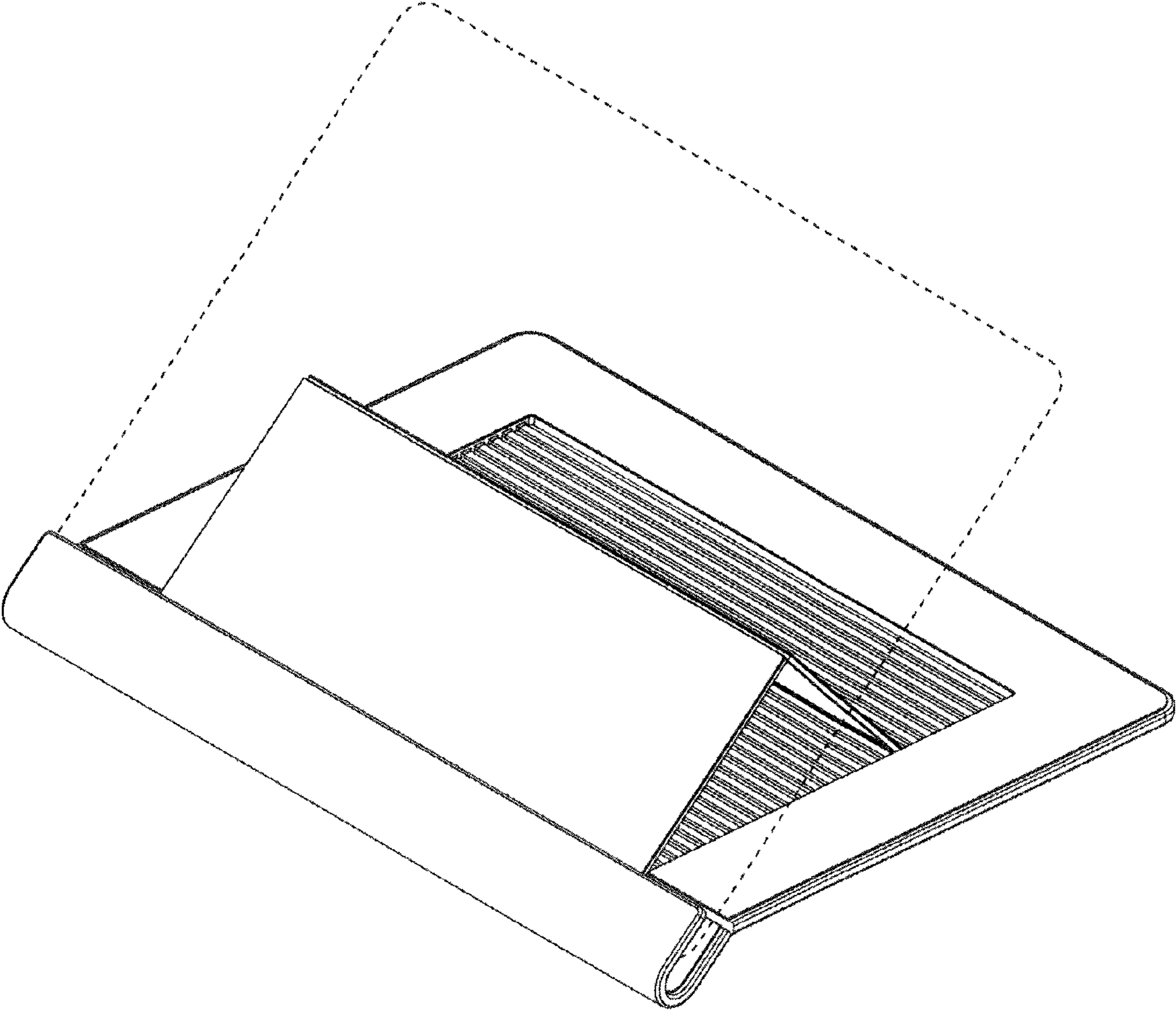


FIG. 2

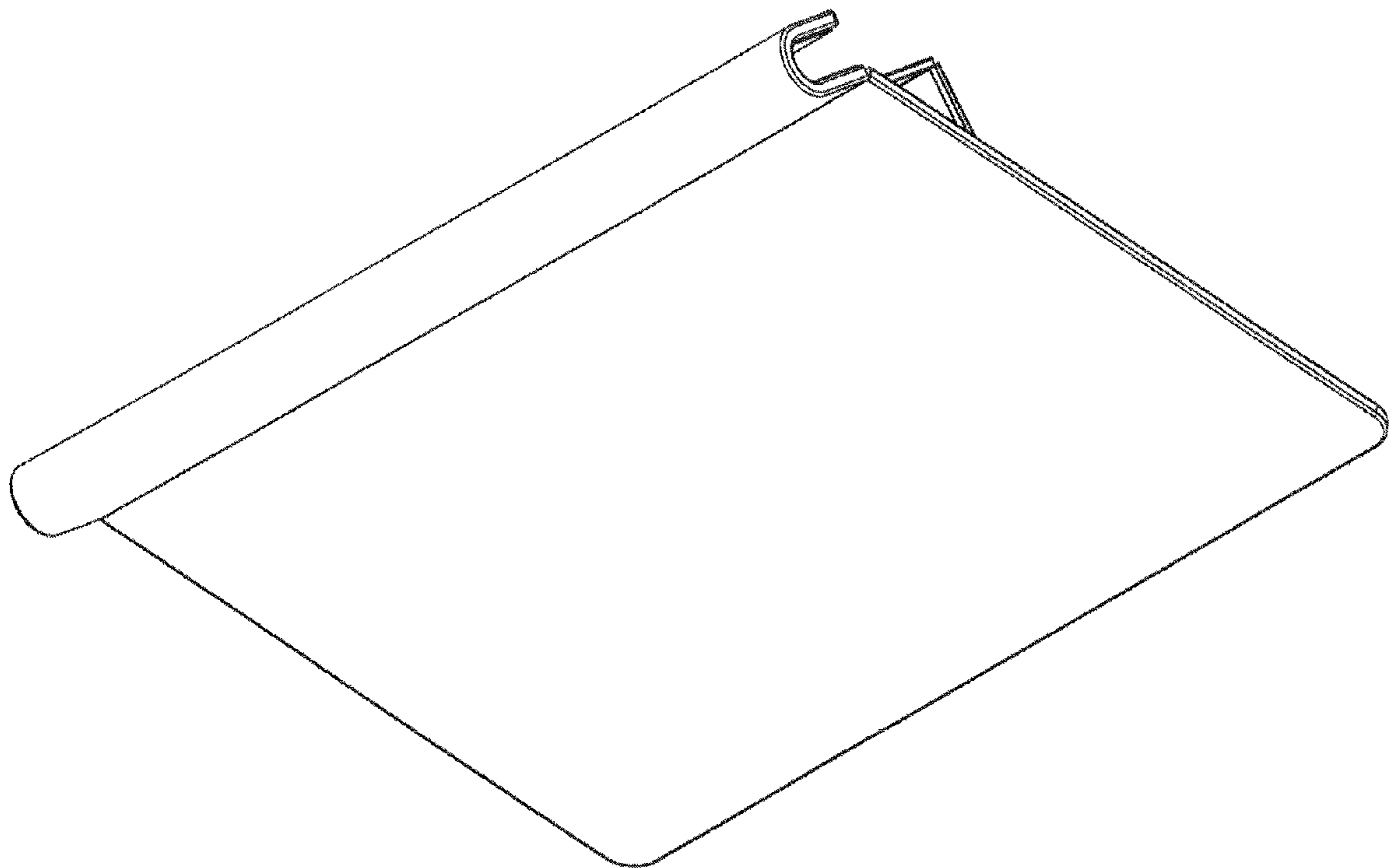


FIG. 3

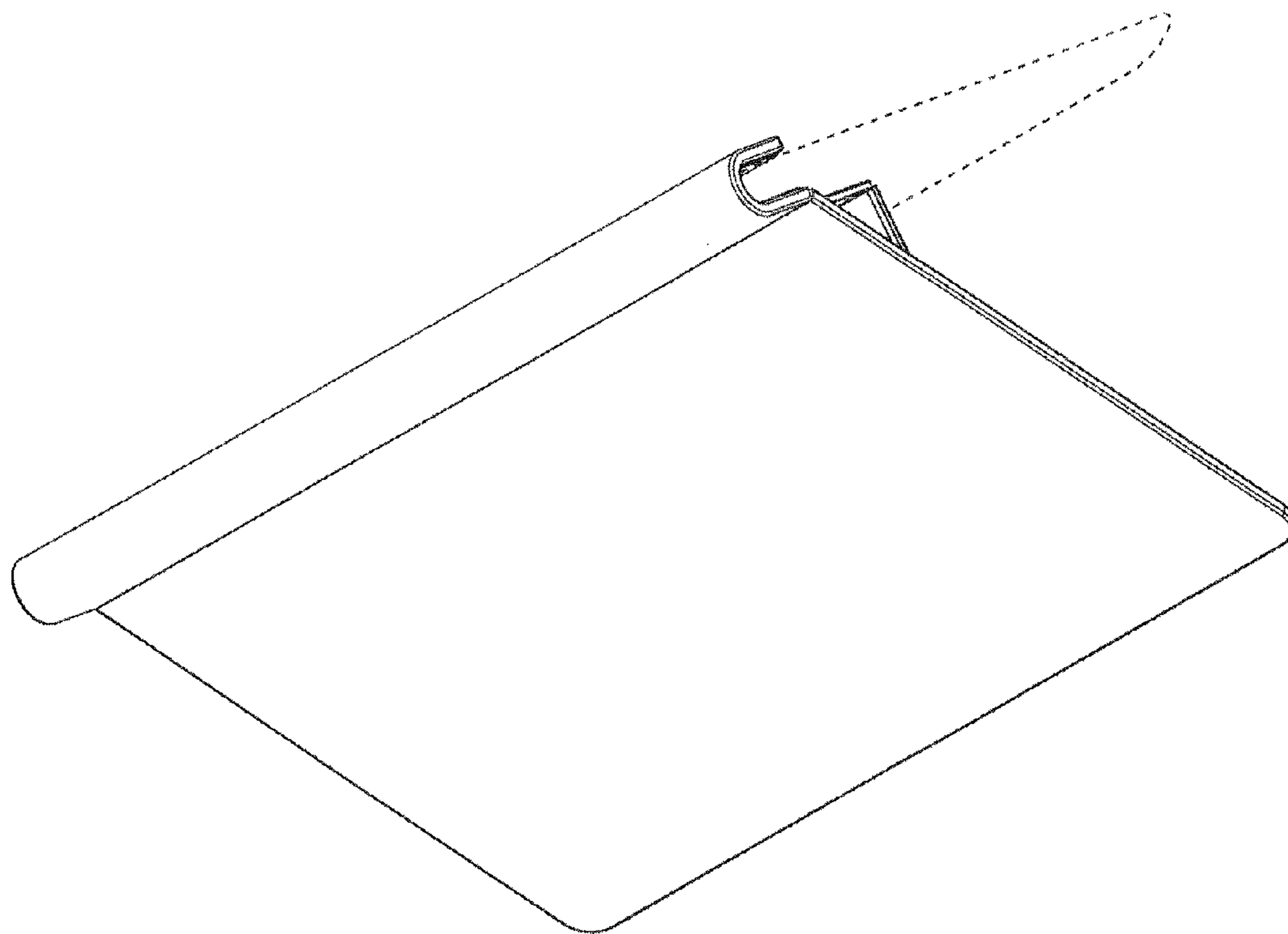


FIG. 4

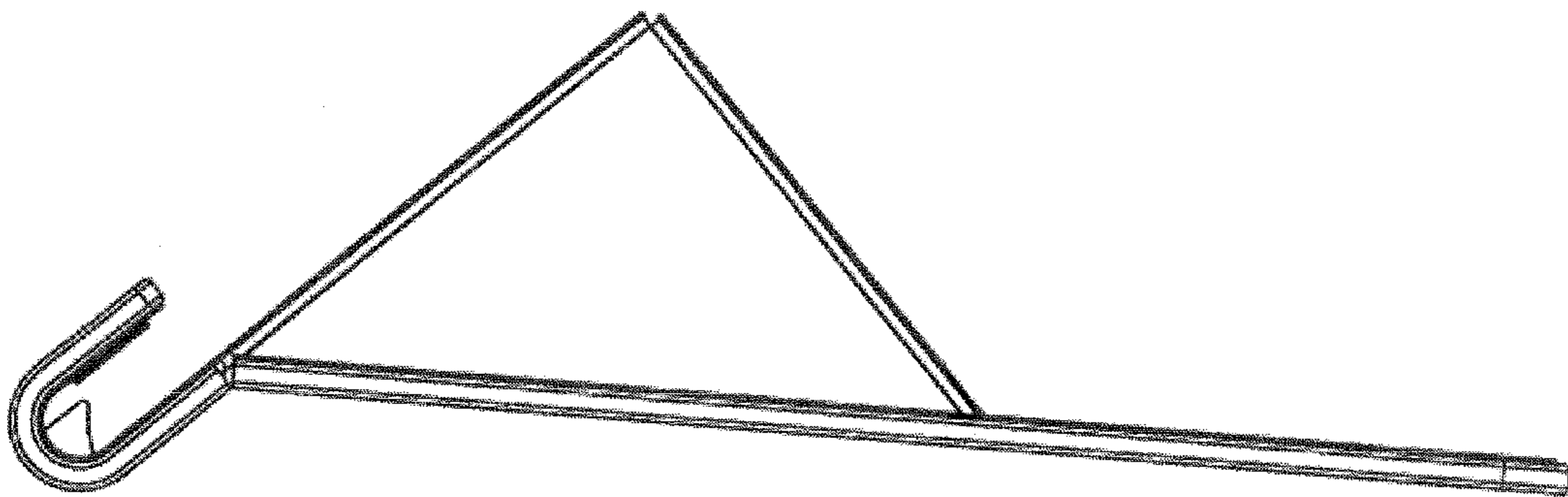


FIG. 5

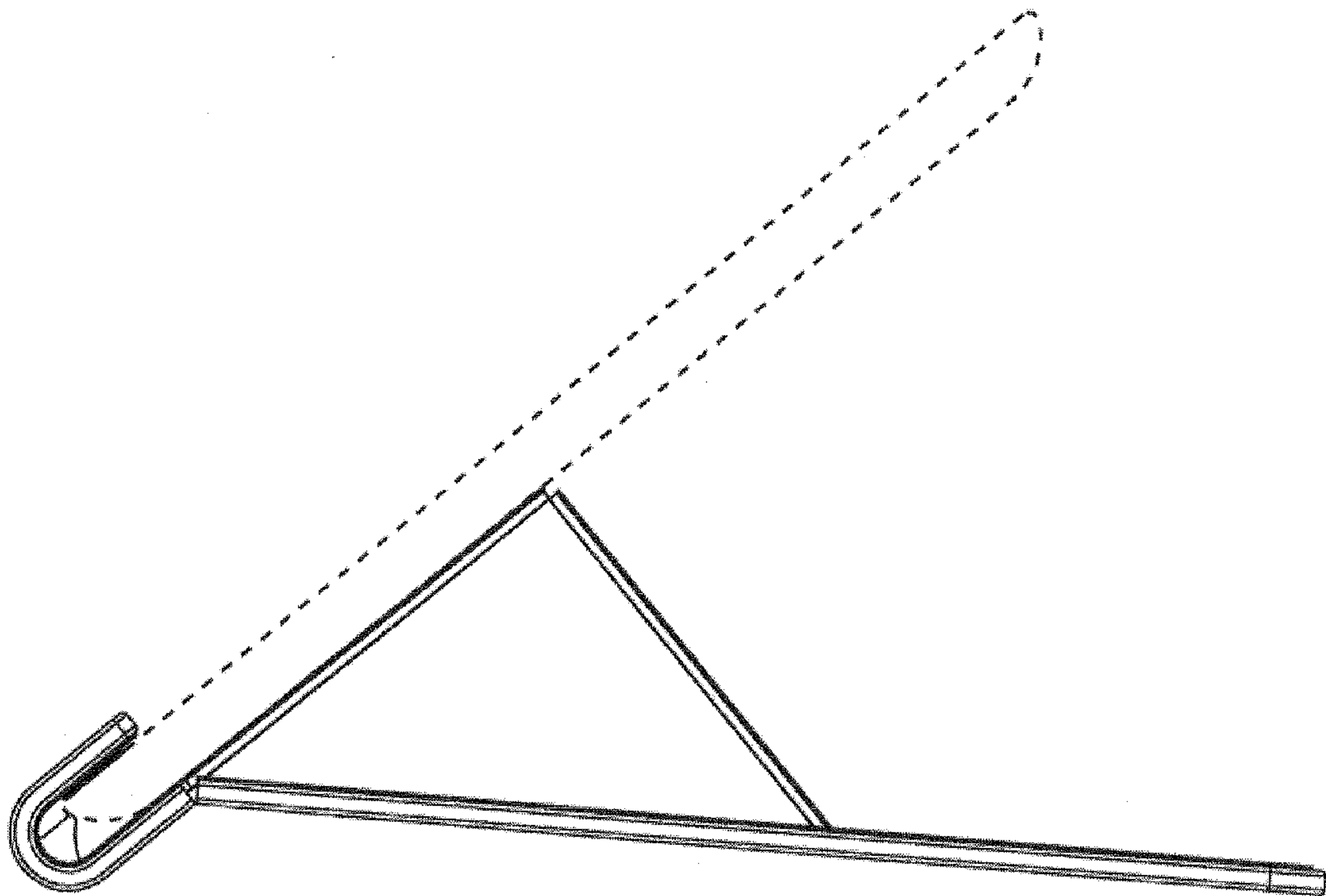


FIG. 6



FIG. 7

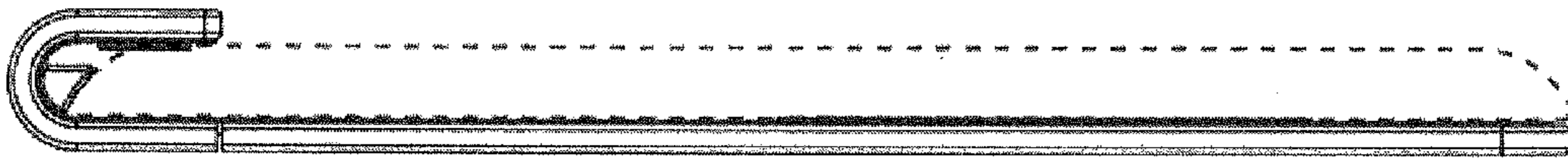


FIG. 8

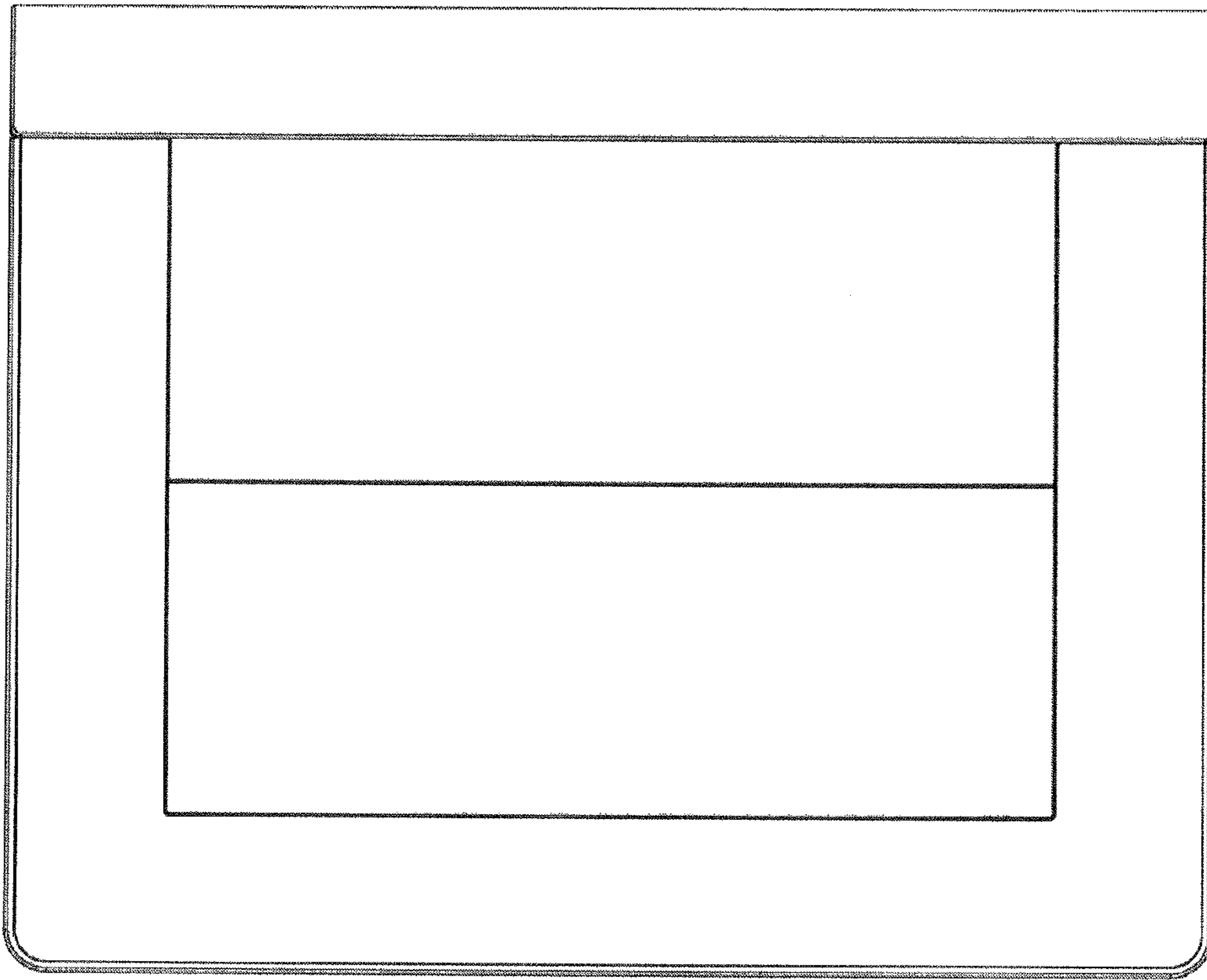


FIG. 9

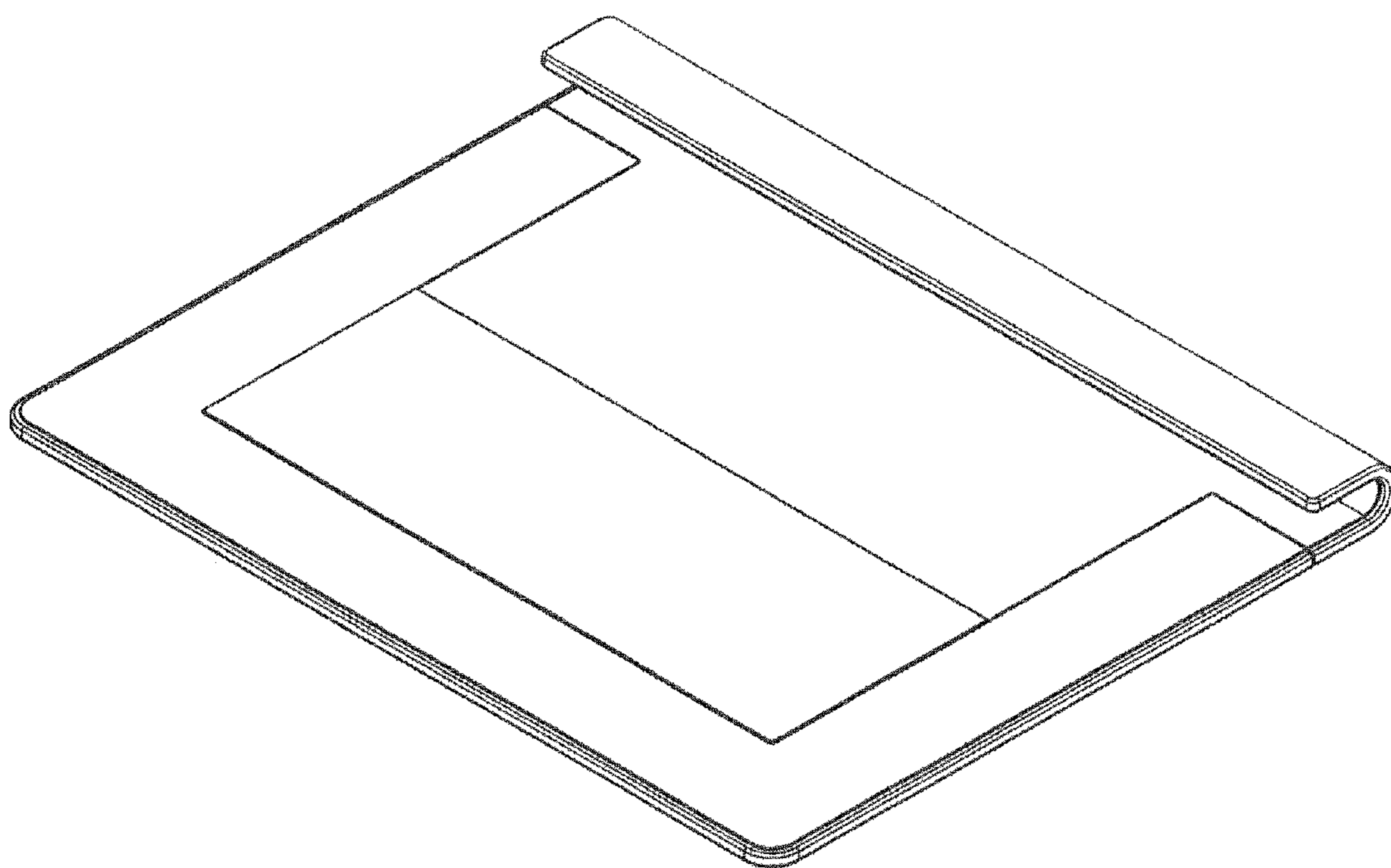


FIG. 10

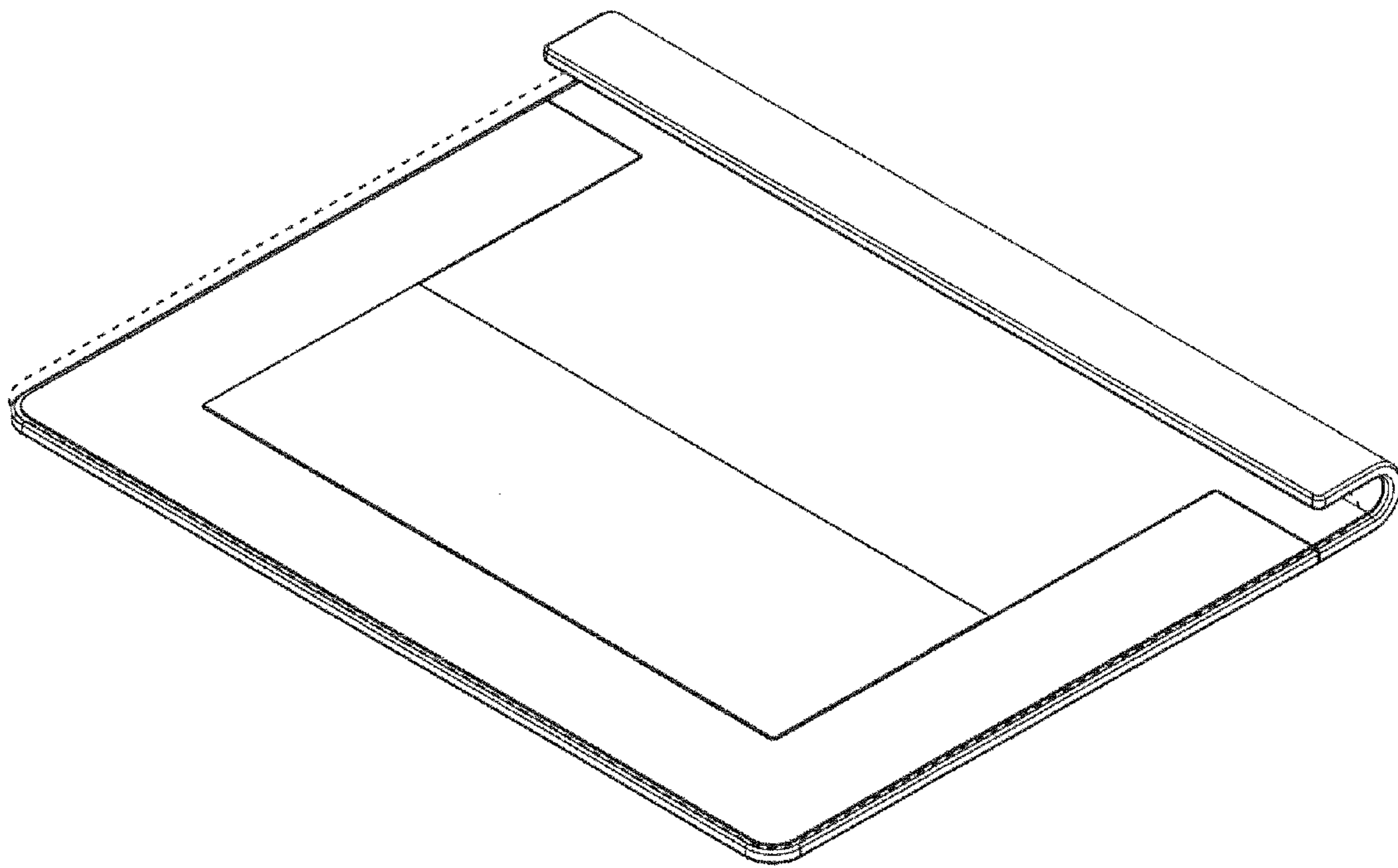


FIG. 11

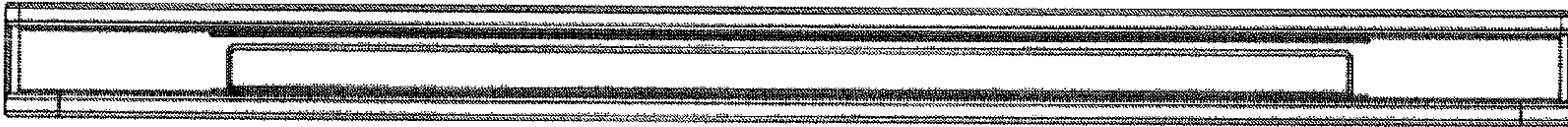


FIG. 12

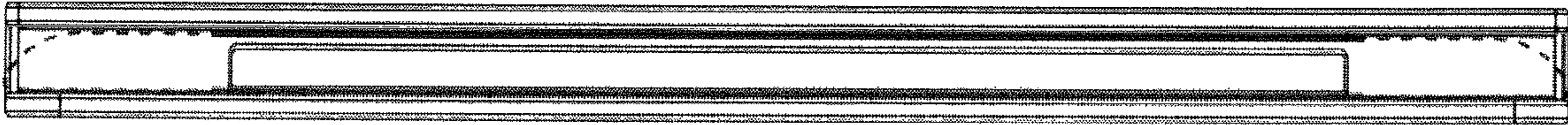


FIG. 13

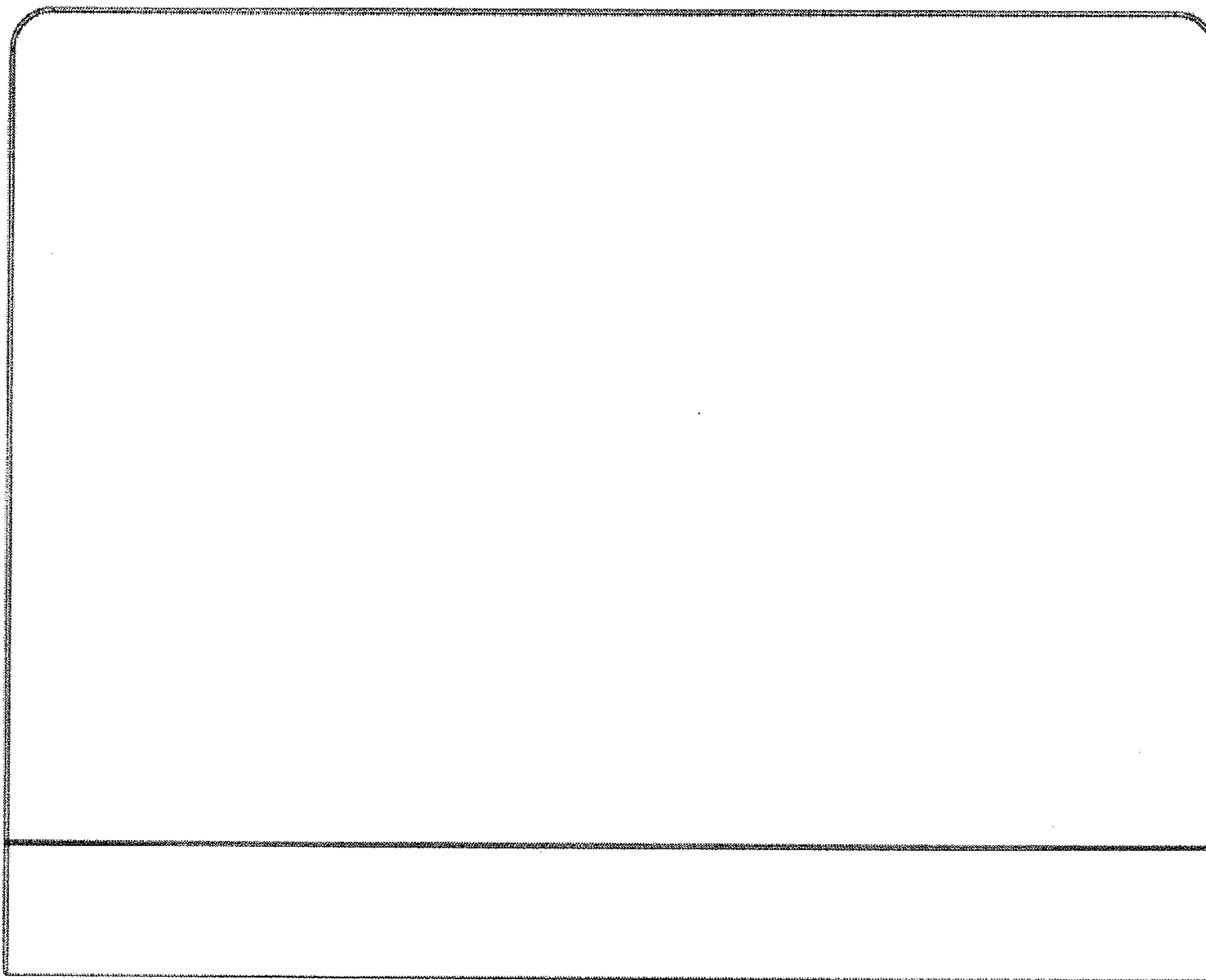


FIG. 14

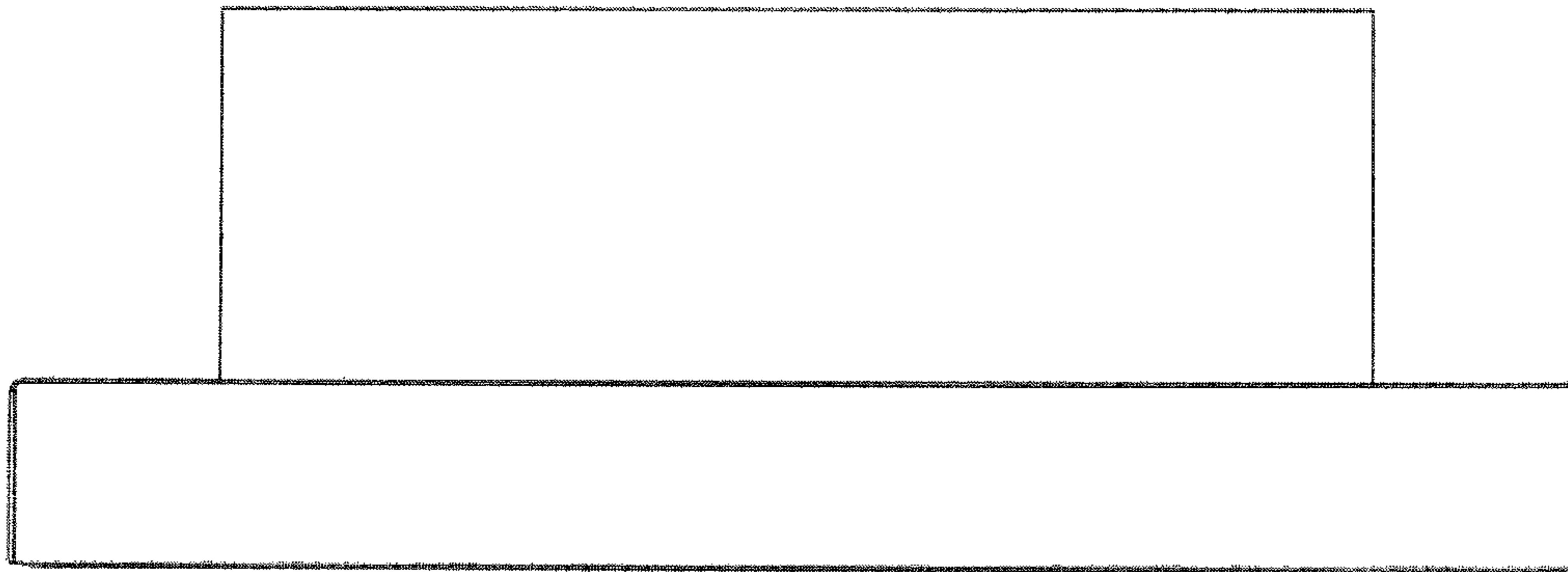


FIG. 15

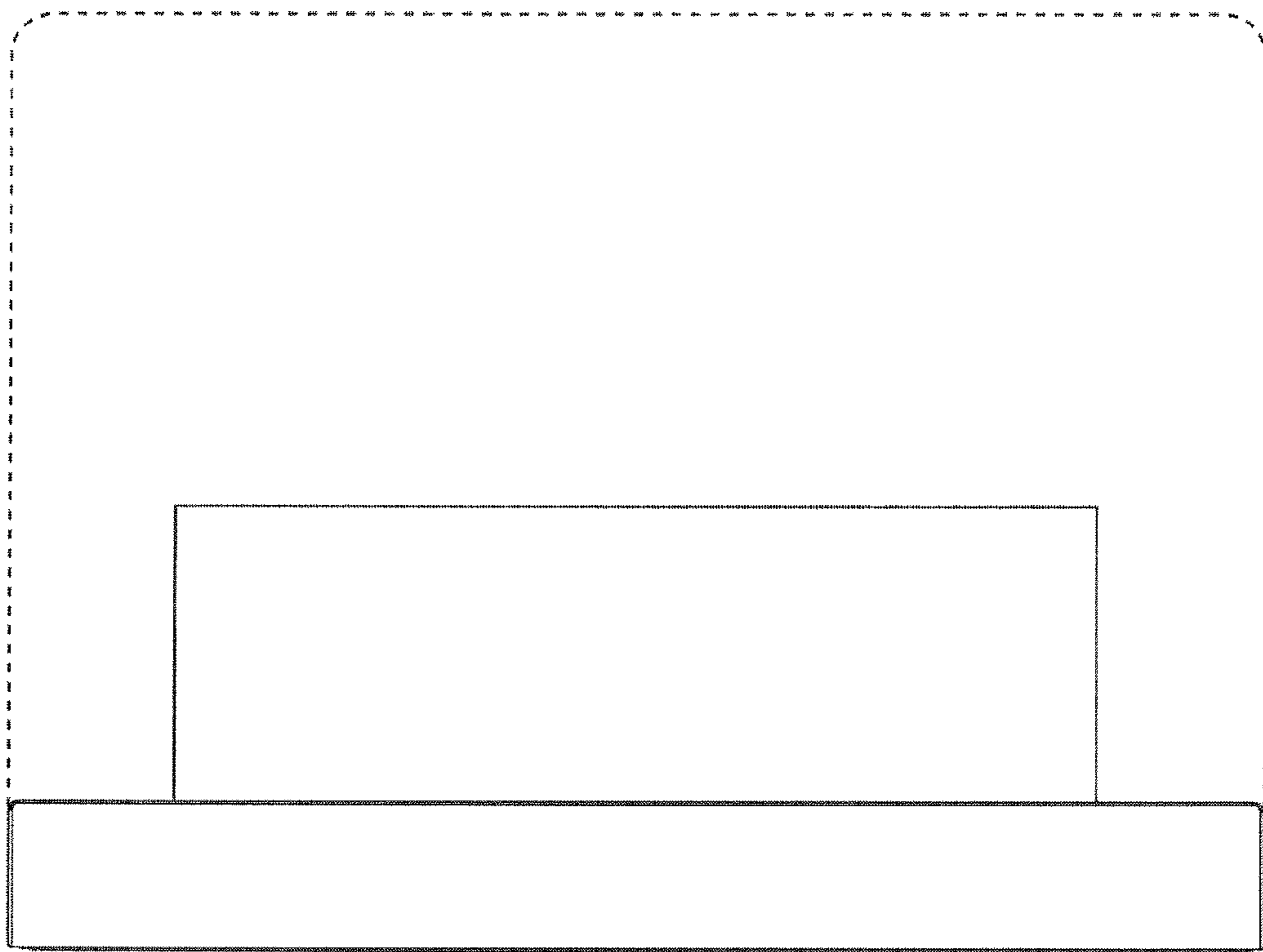


FIG. 16

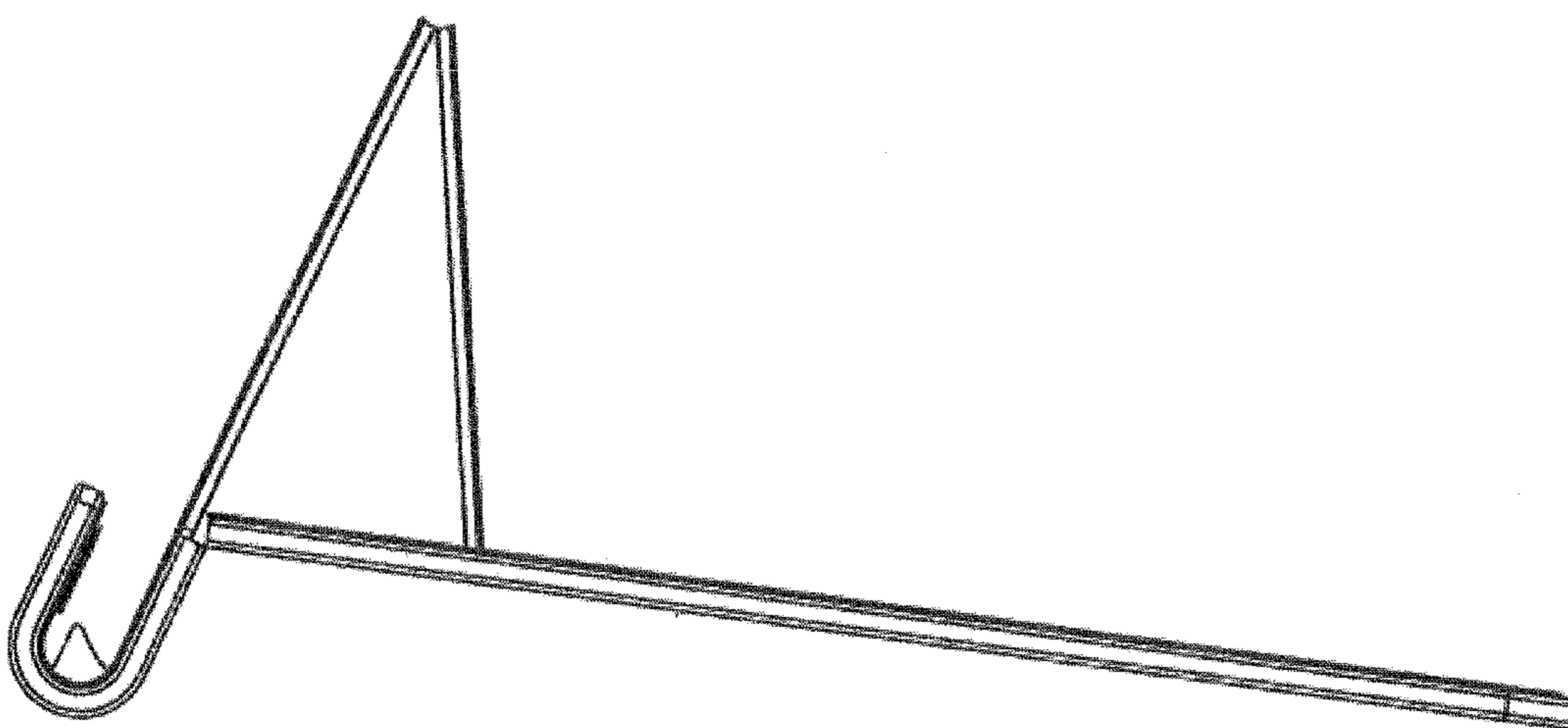


FIG. 17

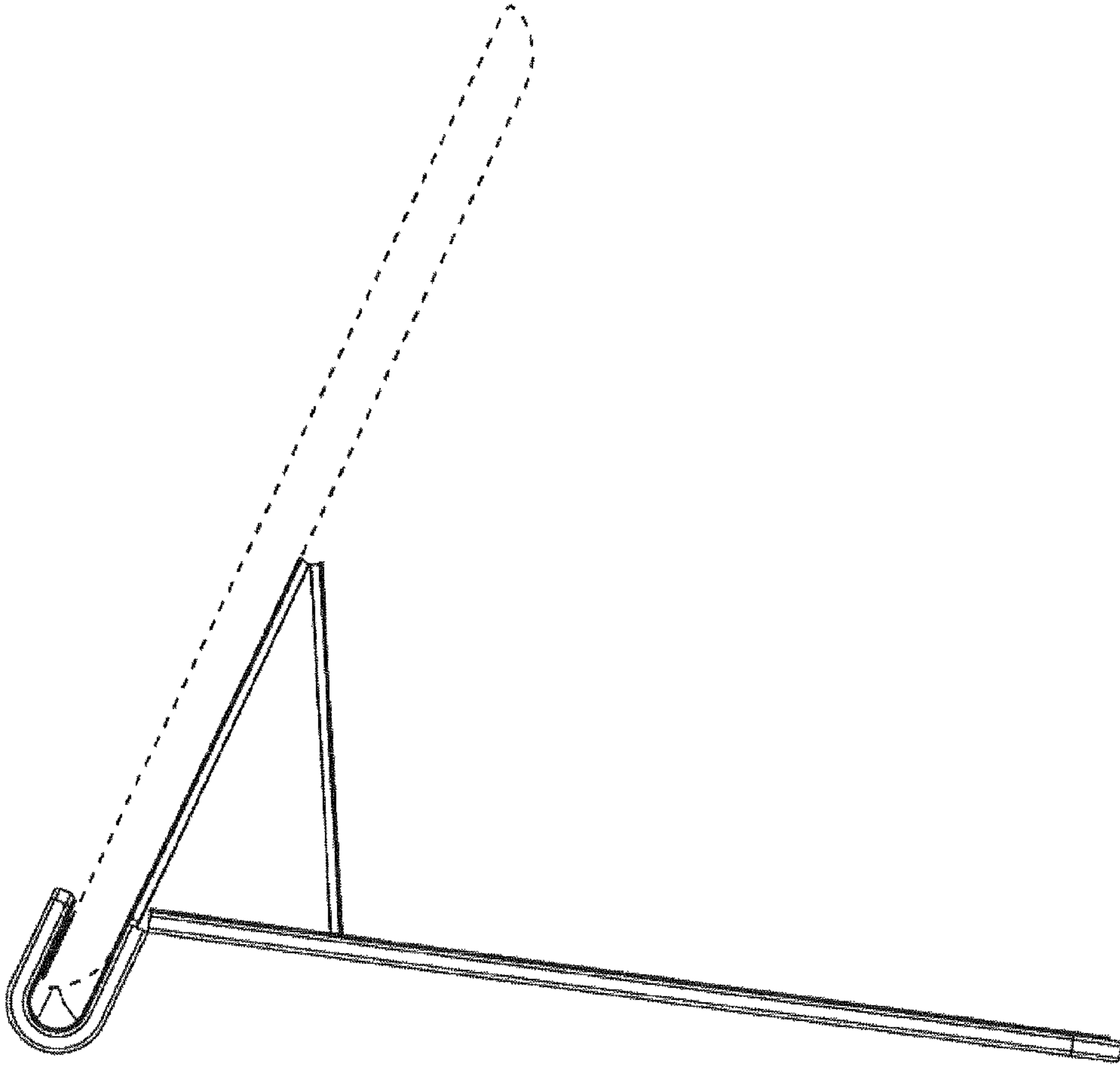


FIG. 18

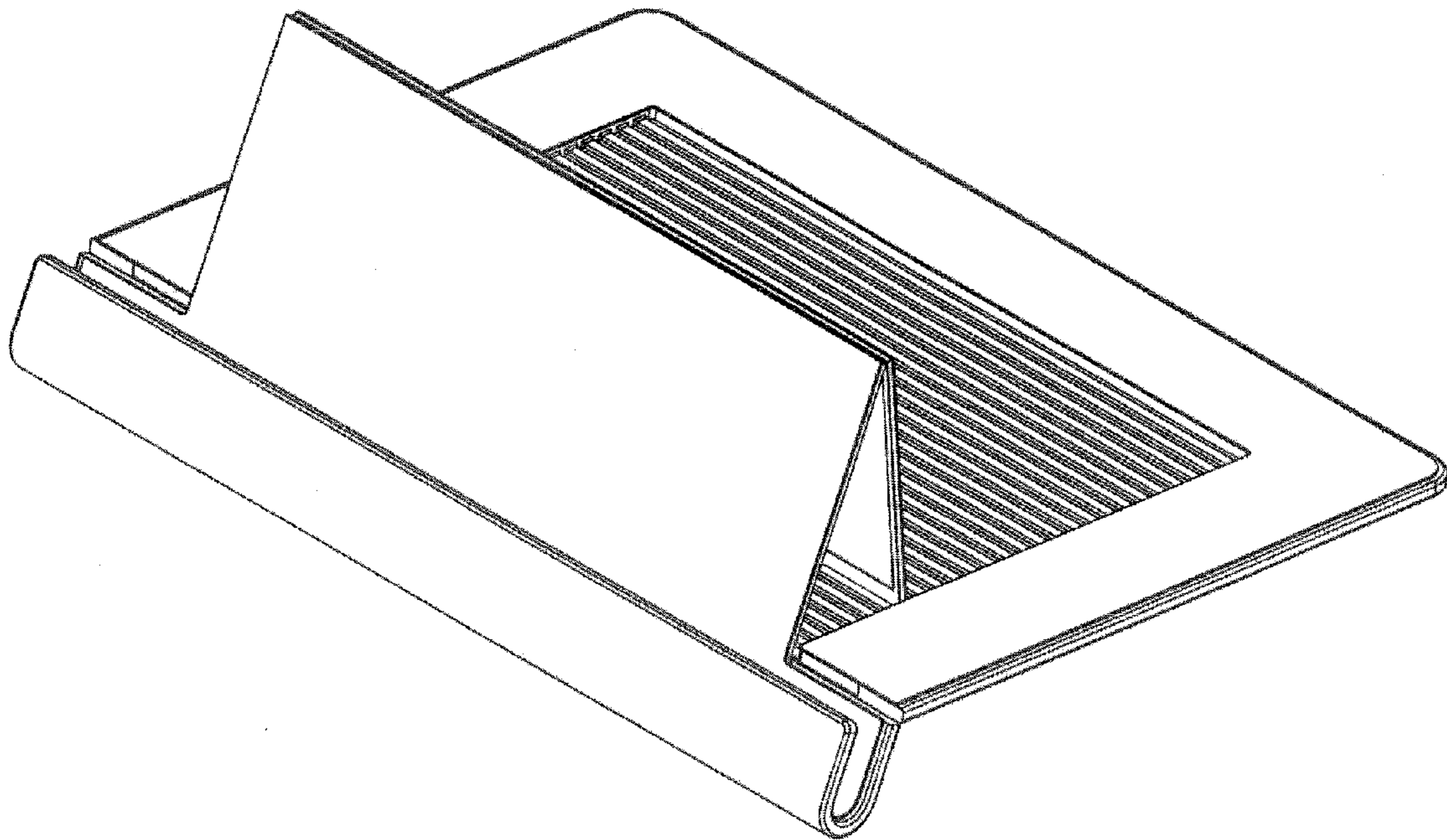


FIG. 19

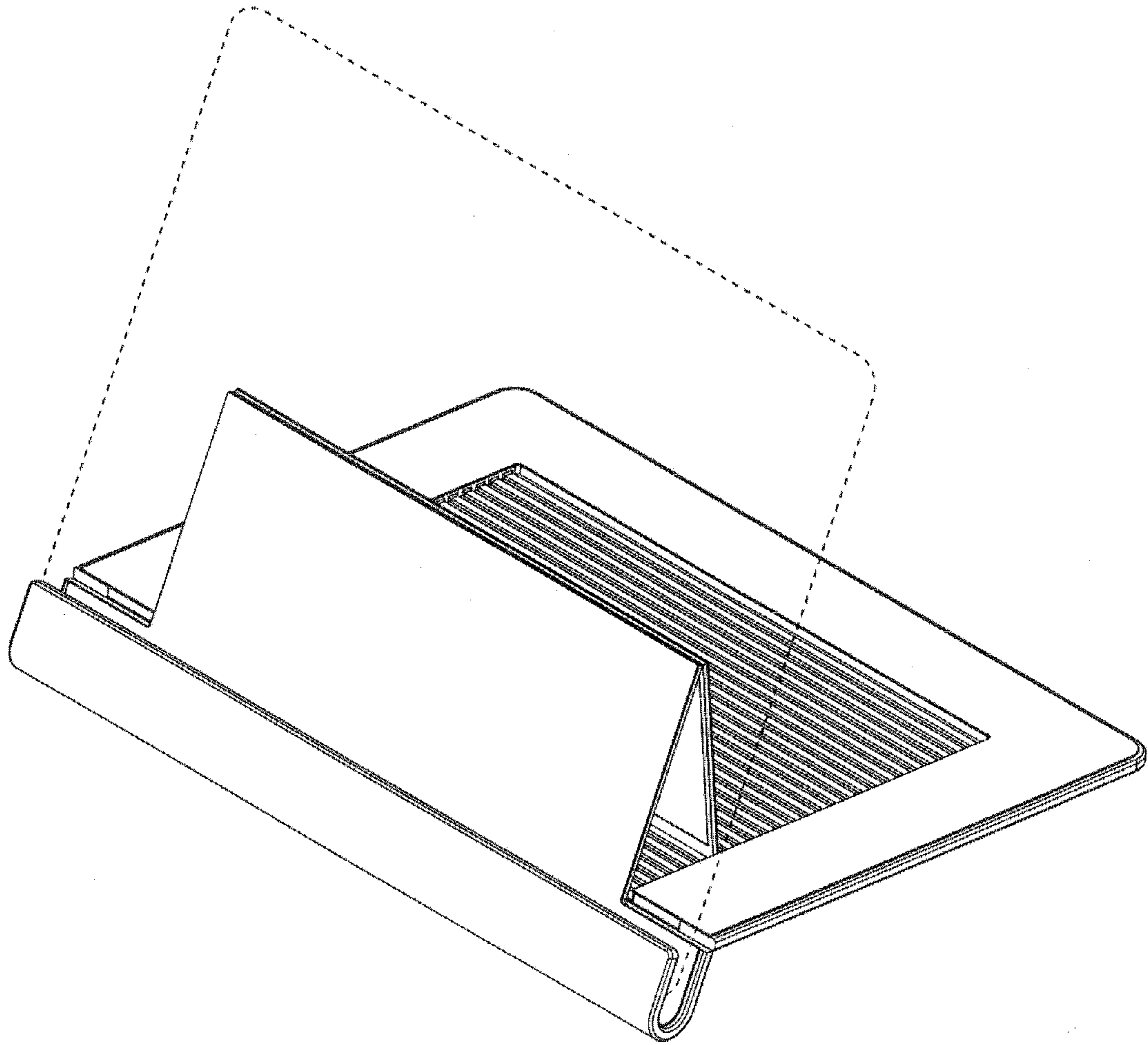


FIG. 20

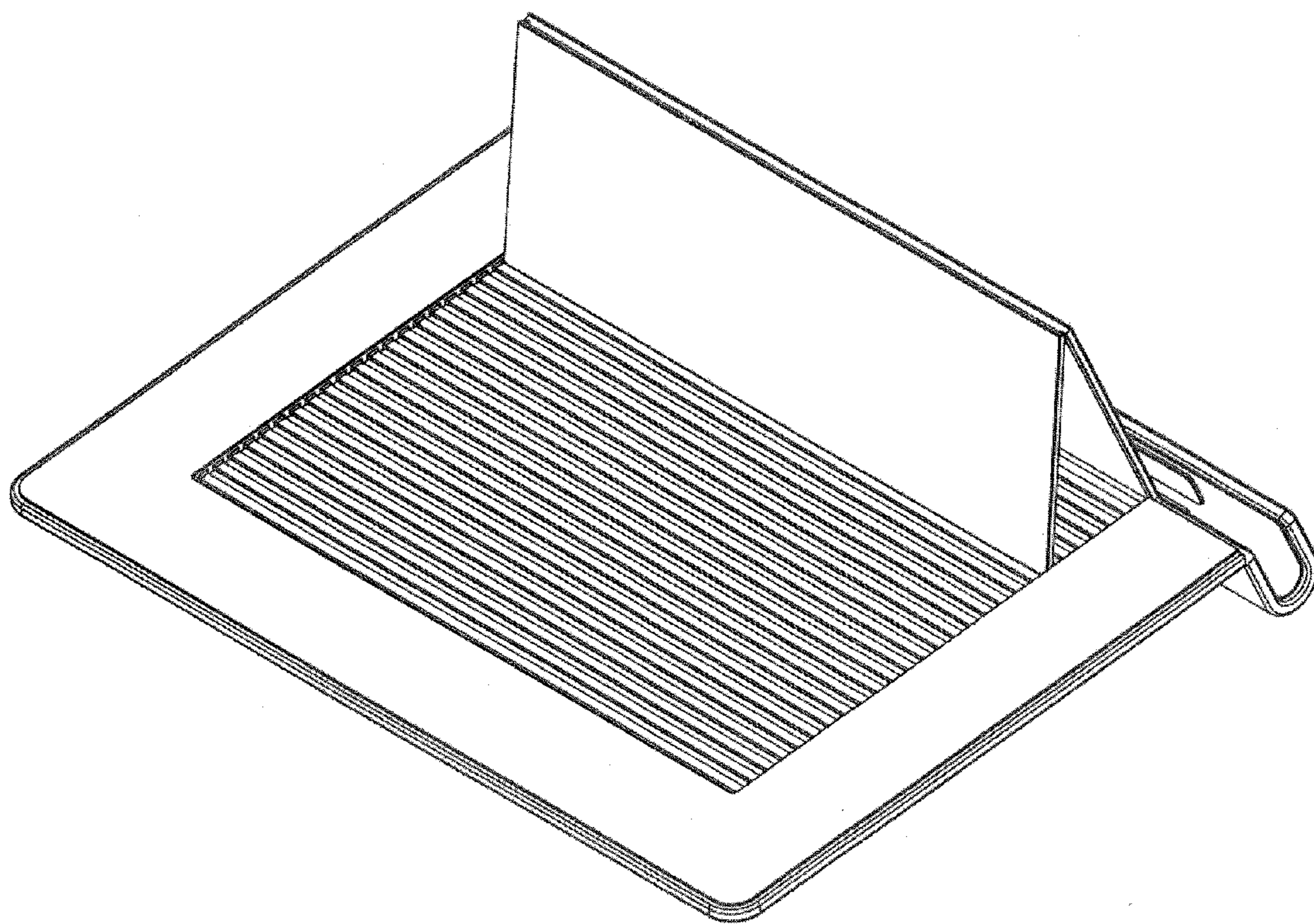


FIG. 21

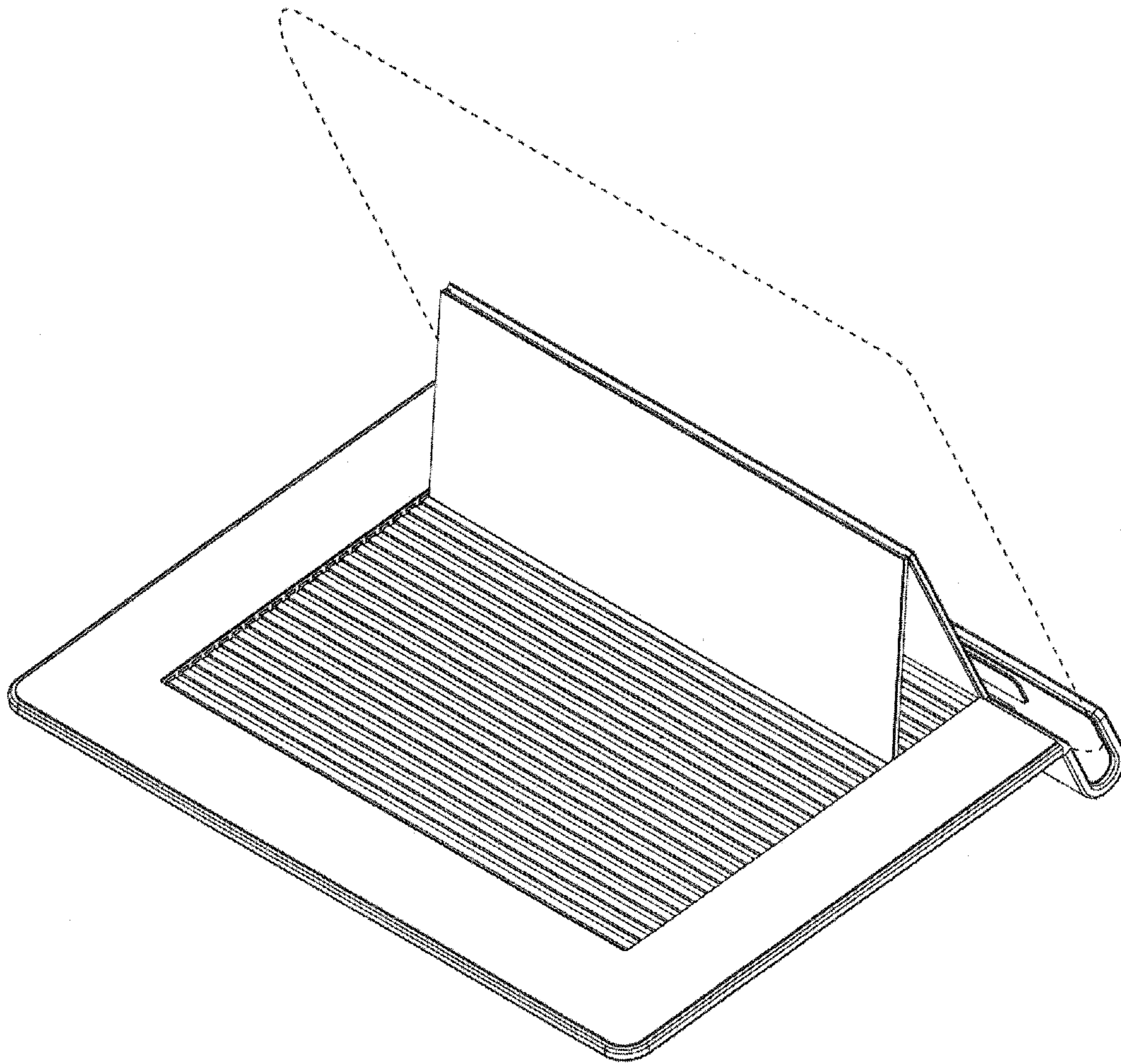


FIG. 22

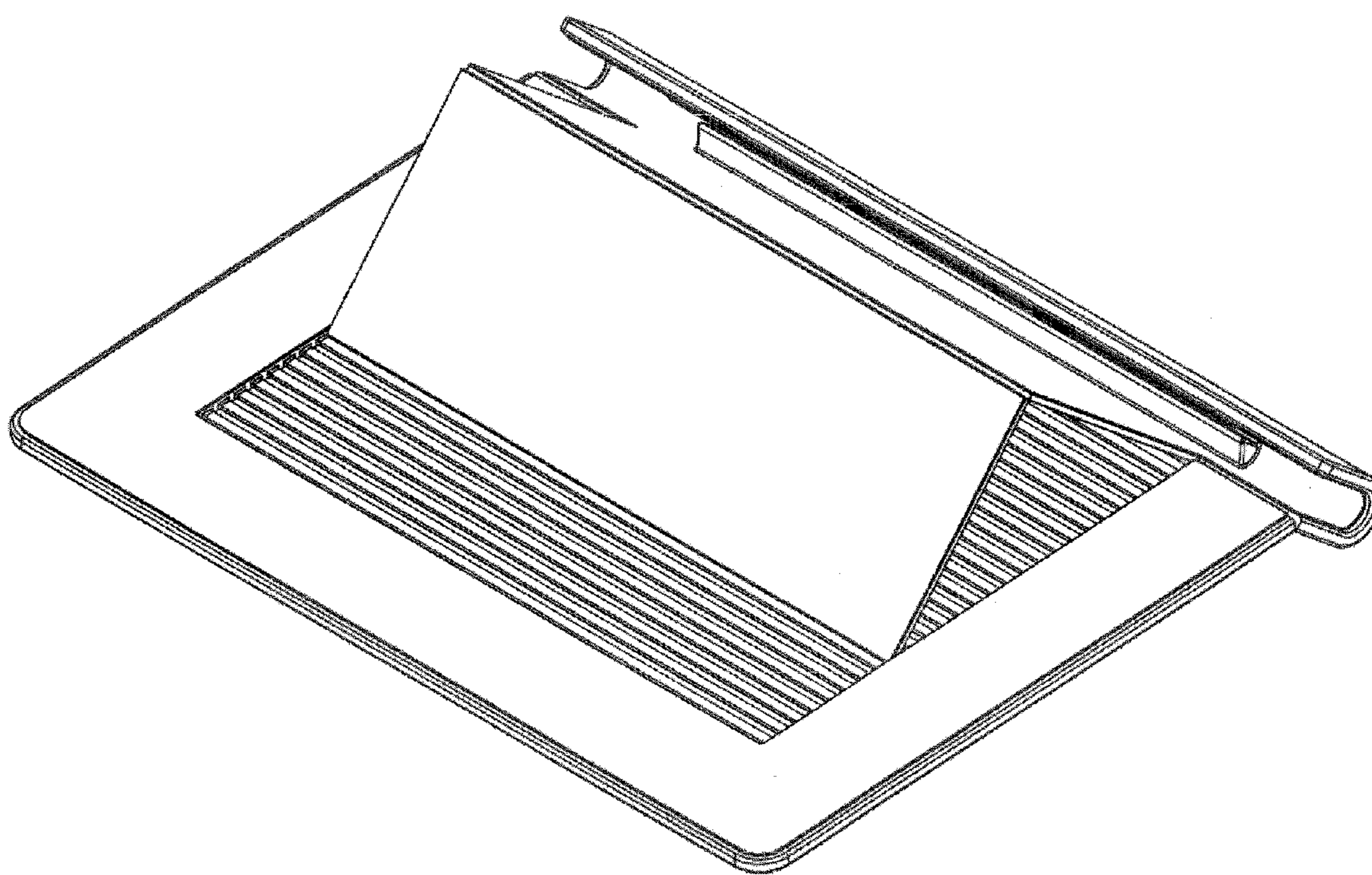


FIG. 23

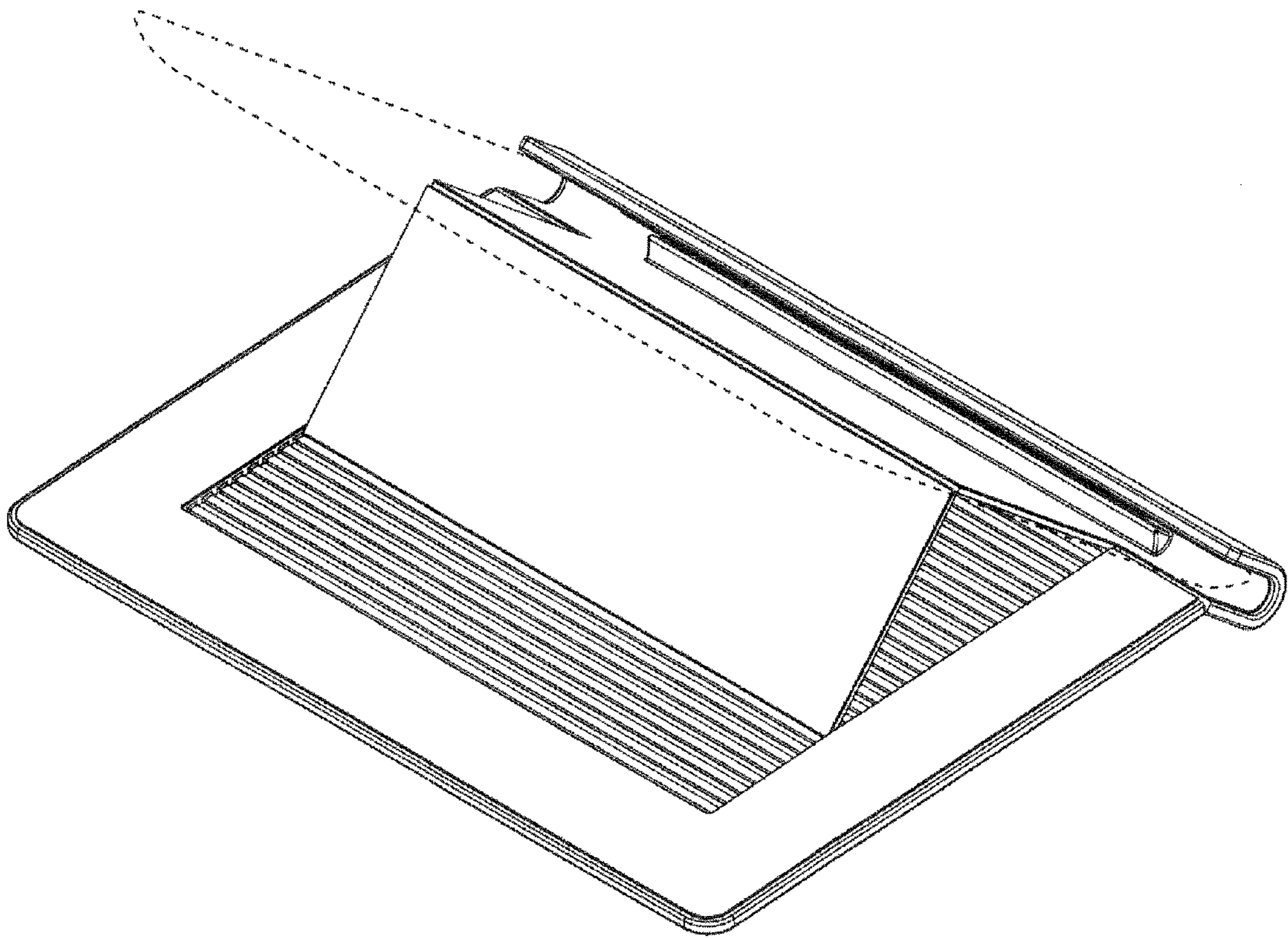


FIG. 24

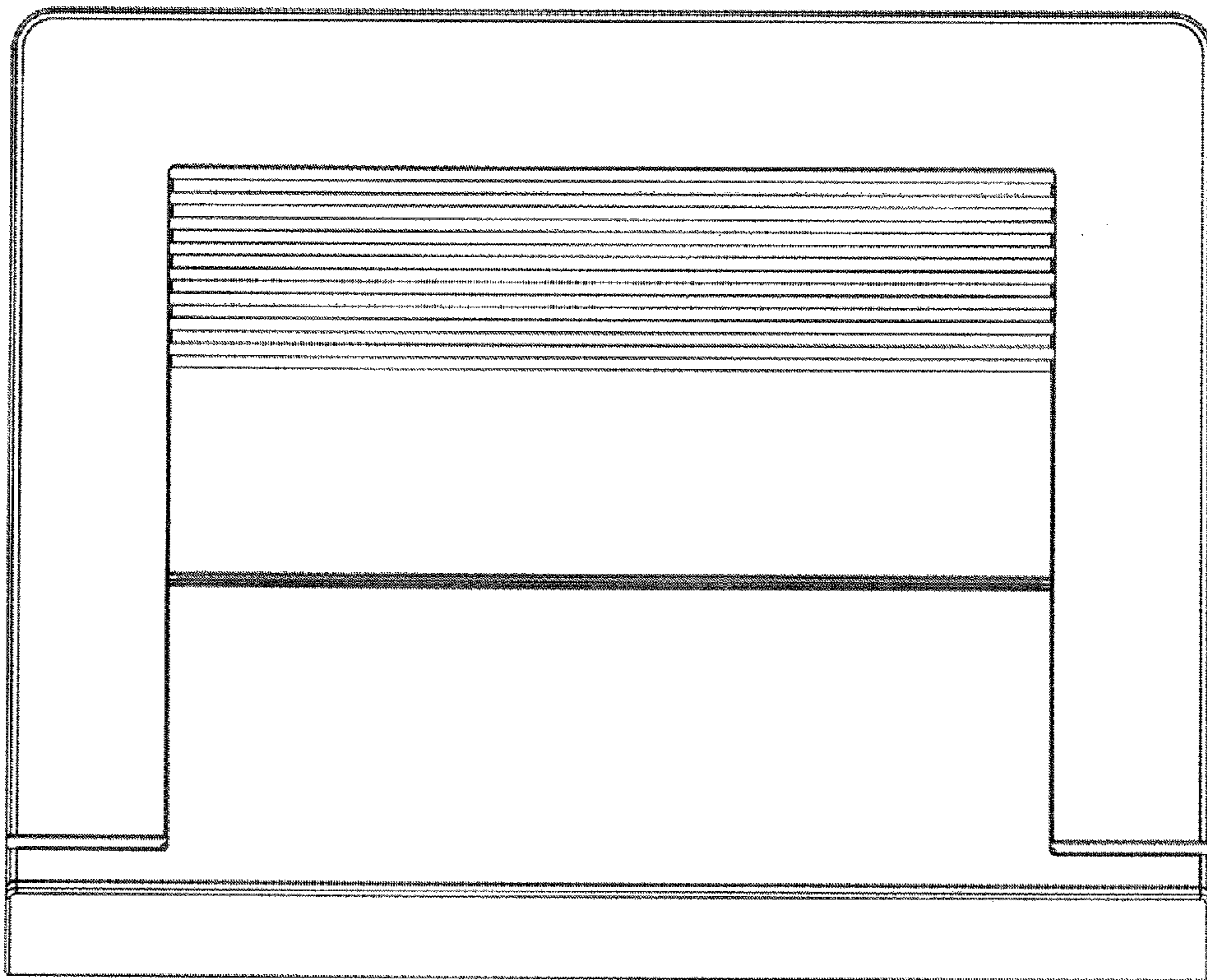


FIG. 25

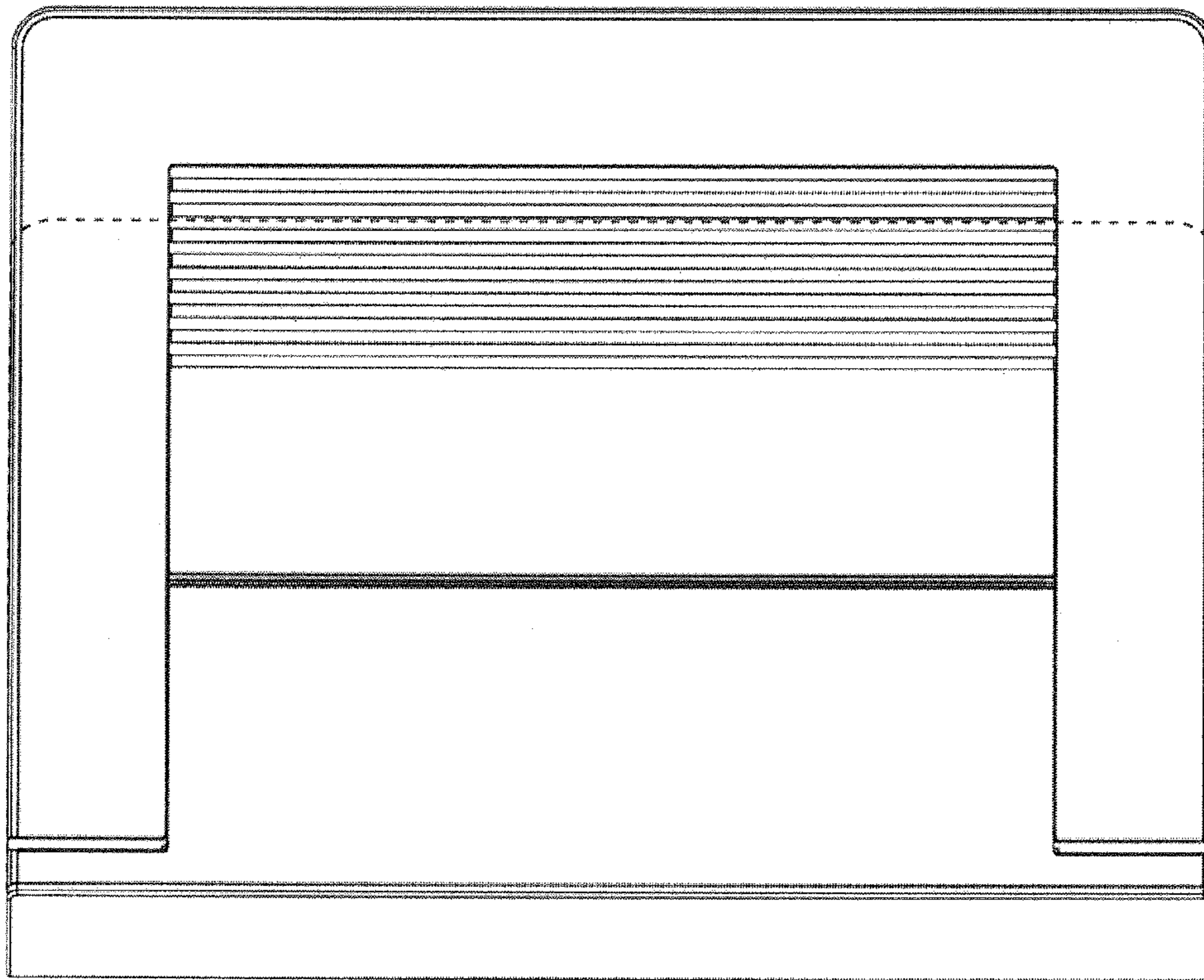


FIG. 26

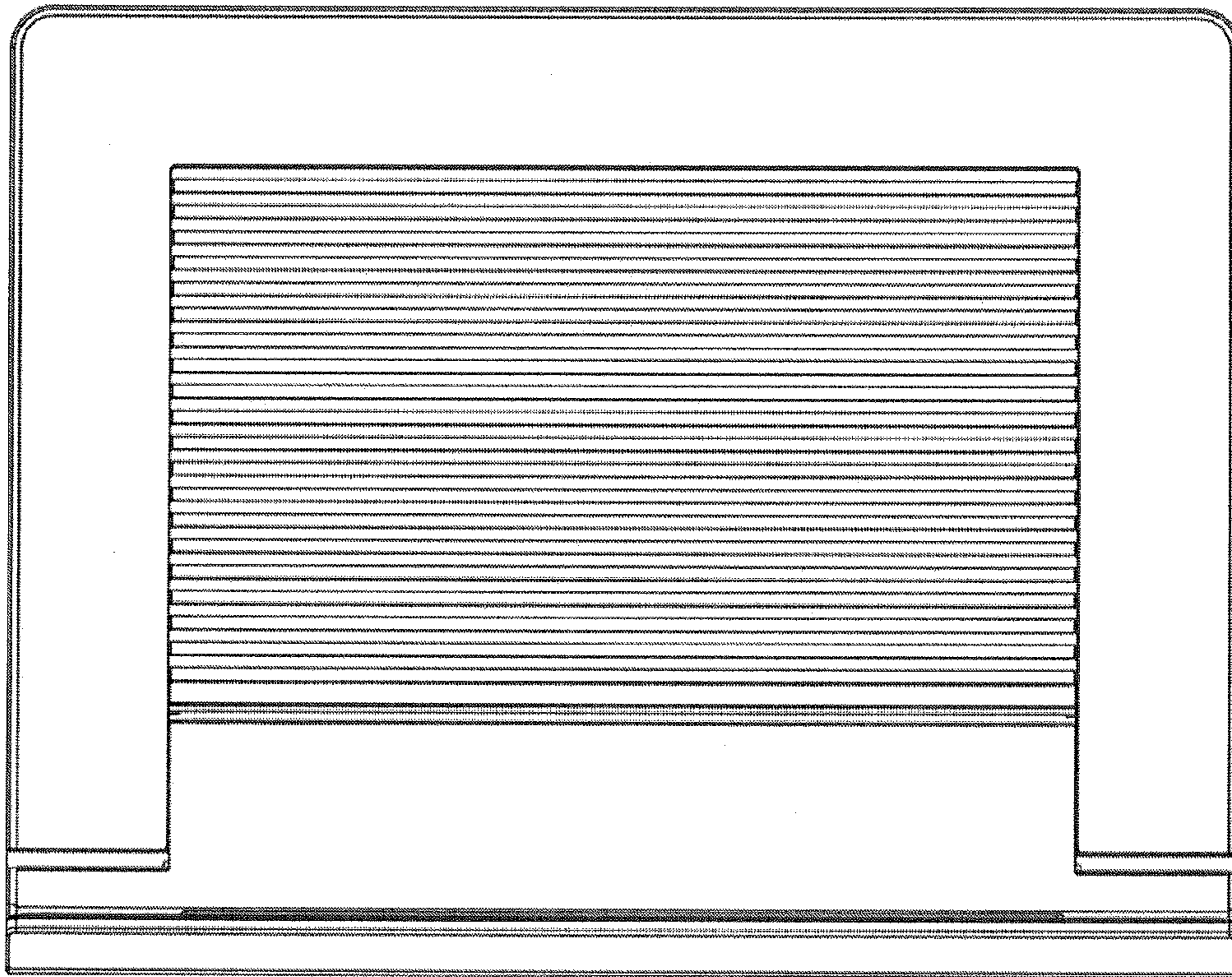


FIG. 27

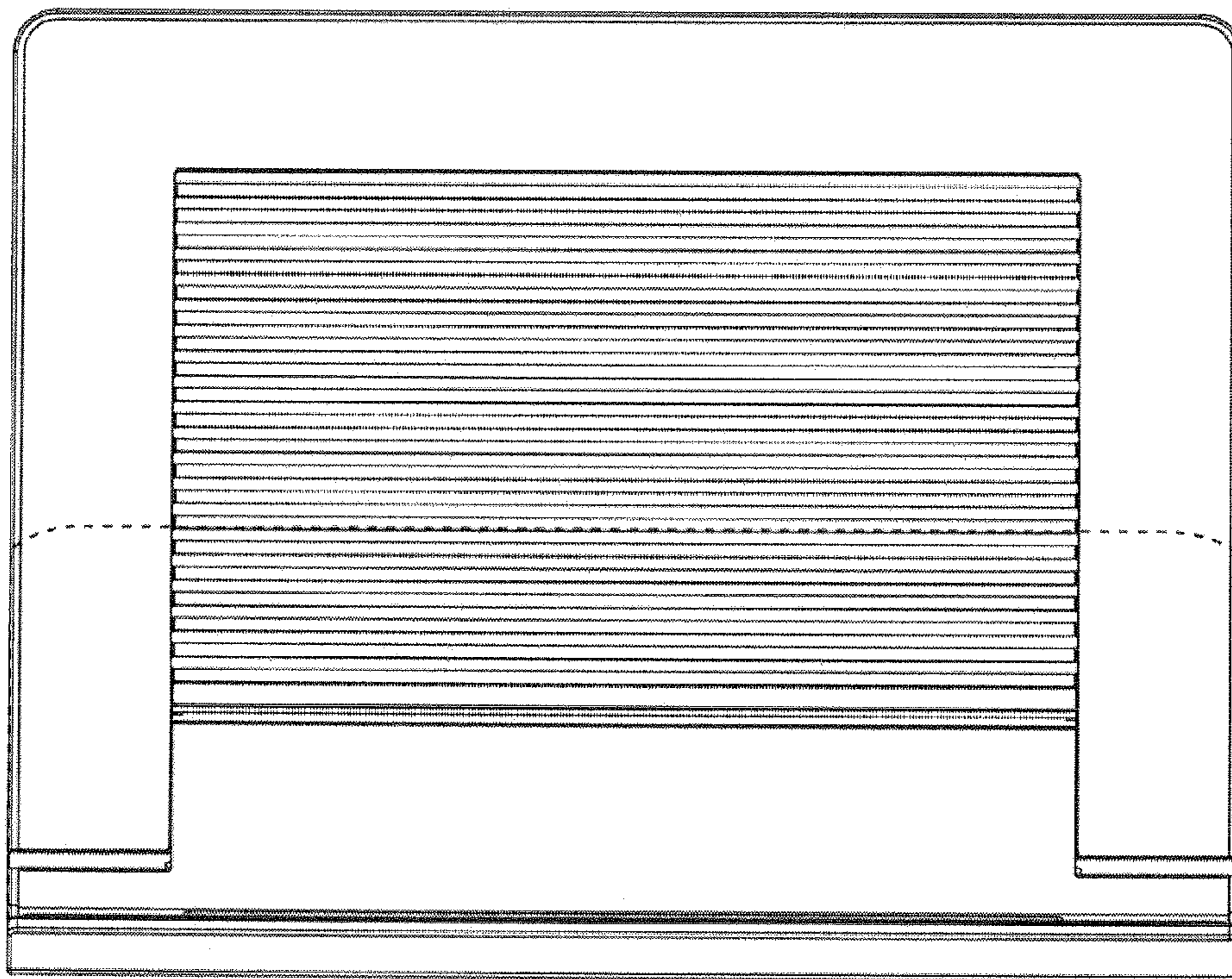


FIG. 28

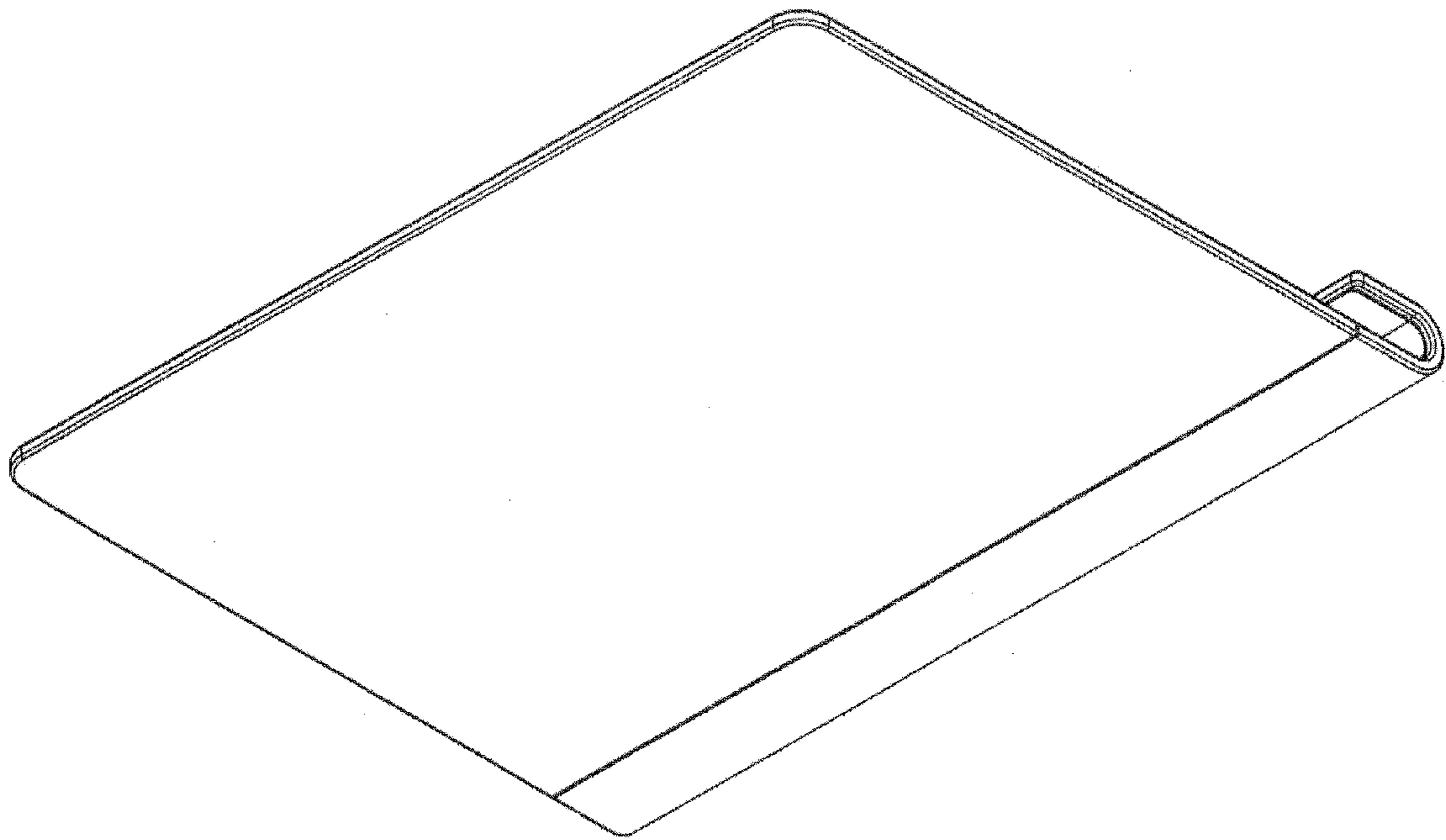


FIG. 29

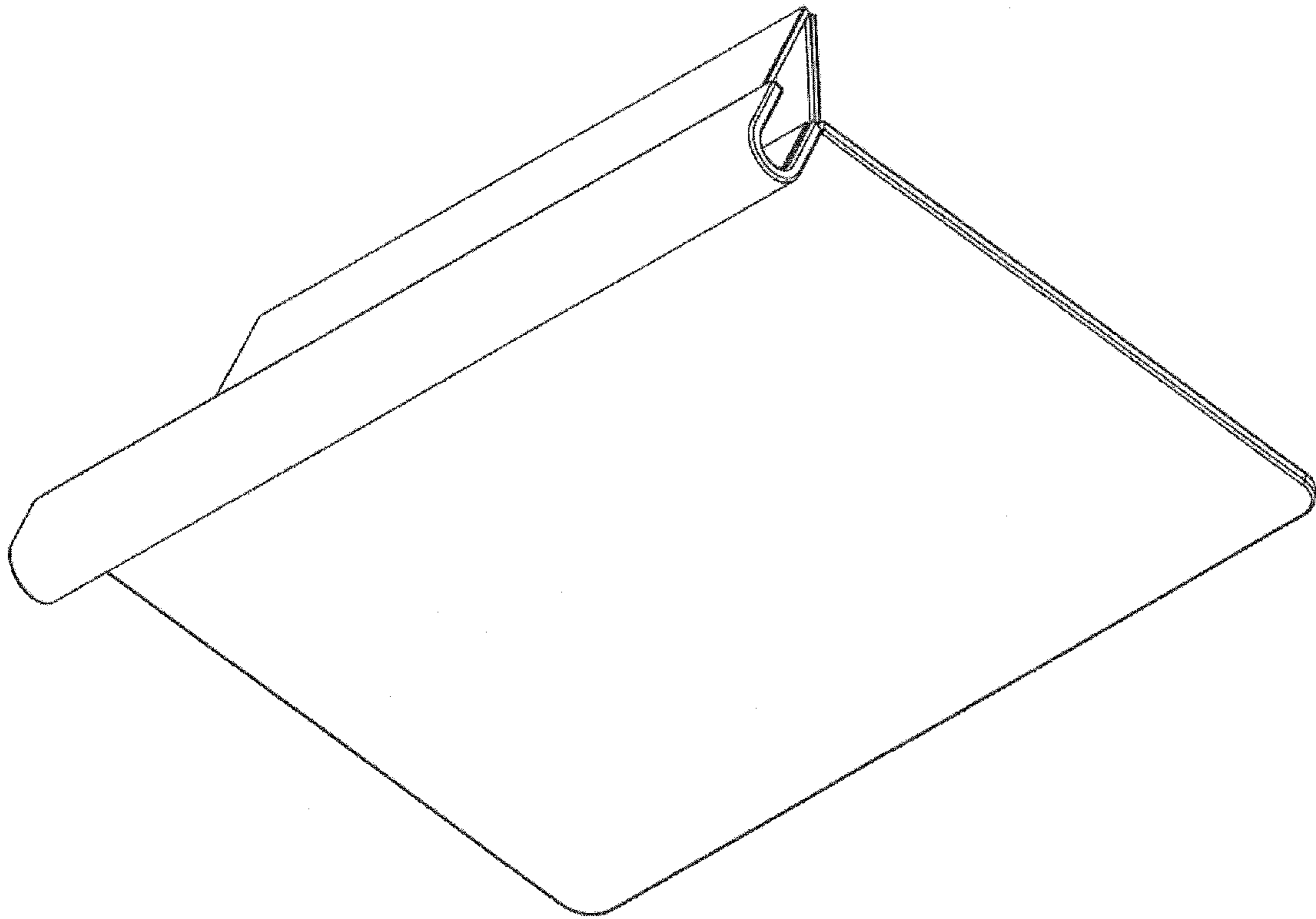


FIG. 30

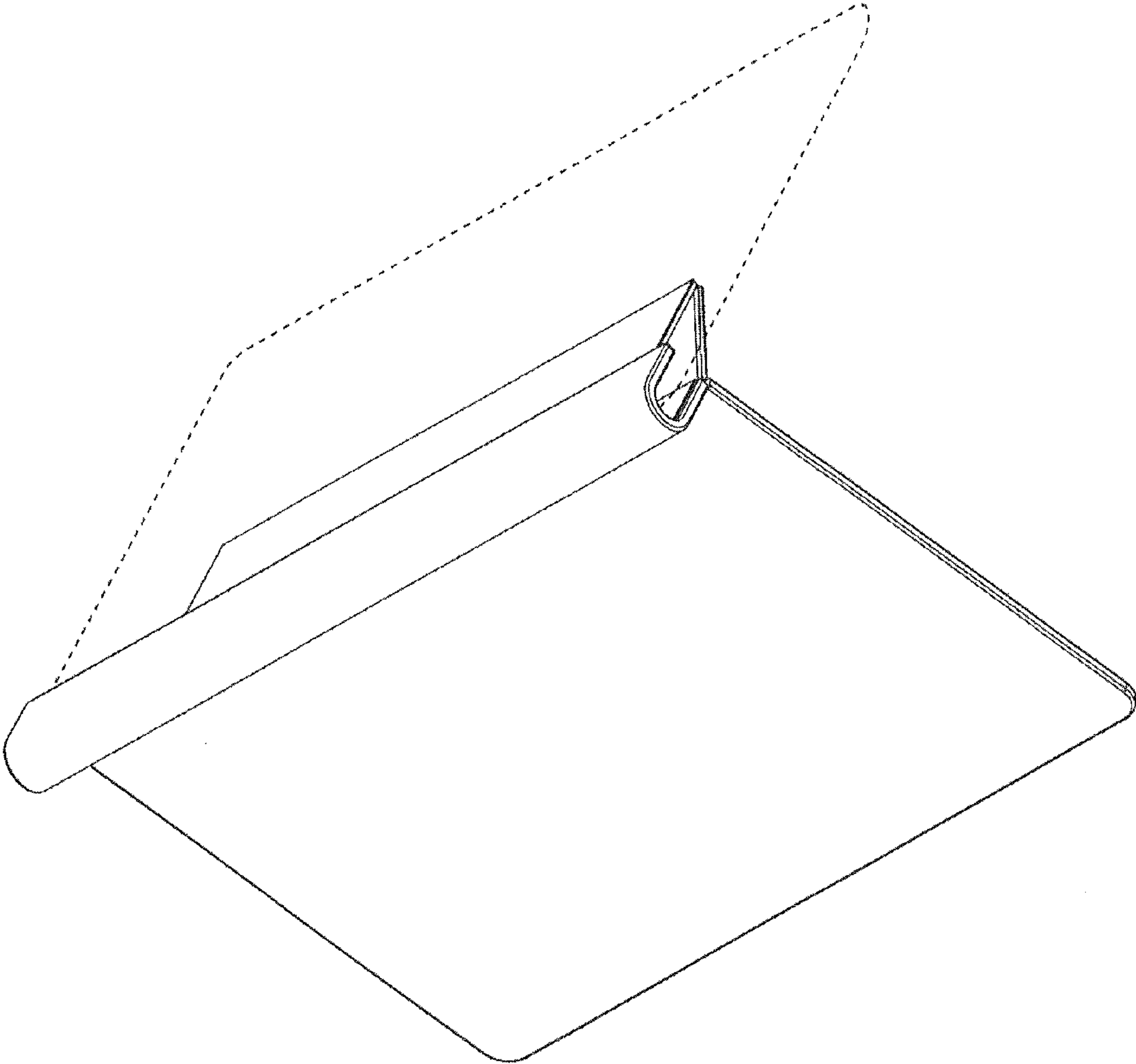


FIG. 31