



US00D697068S

(12) **United States Design Patent**  
**Andre et al.**

(10) **Patent No.:** **US D697,068 S**  
(45) **Date of Patent:** **\*\* Jan. 7, 2014**

(54) **HOUSING FOR AN ELECTRONIC DEVICE**

(75) Inventors: **Bartley K. Andre**, Palo Alto, CA (US); **Daniel J. Coster**, San Francisco, CA (US); **Daniele De Iuliis**, San Francisco, CA (US); **Richard Hung Minh Dinh**, San Jose, CA (US); **Phillip M. Hobson**, Menlo Park, CA (US); **Richard P. Howarth**, San Francisco, CA (US); **Jonathan P. Ive**, San Francisco, CA (US); **Kenneth Arthur Jenks**, Capitola, CA (US); **Steve Jobs**, Palo Alto, CA (US); **Duncan Robert Kerr**, San Francisco, CA (US); **Adam Duckworth Mittleman**, San Francisco, CA (US); **Shin Nishibori**, Kailua, HI (US); **Matthew Dean Rohrbach**, San Francisco, CA (US); **Douglas B. Satzger**, Menlo Park, CA (US); **Calvin Q. Seid**, Palo Alto, CA (US); **Vincent Keane Seid**, legal representative, Los Gatos, CA (US); **Christopher J. Stringer**, Woodside, CA (US); **Tang Yew Tan**, San Francisco, CA (US); **Erik Li Wang**, Redwood City, CA (US); **Eugene Antony Whang**, San Francisco, CA (US); **Rico Zörkendörfer**, San Francisco, CA (US)

(73) Assignee: **Apple Inc.**, Cupertino, CA (US)

(\*\*) Term: **14 Years**

(21) Appl. No.: **29/380,128**

(22) Filed: **Nov. 30, 2010**

**Related U.S. Application Data**

(63) Continuation of application No. 11/821,329, filed on Jun. 21, 2007, now Pat. No. 7,889,139.

(51) **LOC (10) Cl.** ..... **14-02**

(52) **U.S. Cl.**  
USPC ..... **D14/439**

(58) **Field of Classification Search**

USPC ..... D14/341-347, 424, 425, 432-453, 464, D14/468, 469, 471, 496, 511, 138 AA, D14/138 AD, 138 C, 138 G, 203.1-203.8, D14/217, 238.1, 248, 250, 257, 299; 361/679.01, 679.02, 679.03, 679.3, 361/679.55, 679.56; 455/550.1, 556.1, 455/556.2, 575.1, 575.3-575.5, 575.8, 90.3  
See application file for complete search history.

(56) **References Cited**

**U.S. PATENT DOCUMENTS**

2,968,176 A \* 1/1961 Collings ..... 70/456 R  
5,180,644 A 1/1993 Bresin et al.

(Continued)

**FOREIGN PATENT DOCUMENTS**

JP 1142127 5/2002  
TW D126454 12/2008  
TW D127018 1/2009

*Primary Examiner* — Deanna L Pratt

(74) *Attorney, Agent, or Firm* — Sterne, Kessler, Goldstein & Fox PLLC

(57) **CLAIM**

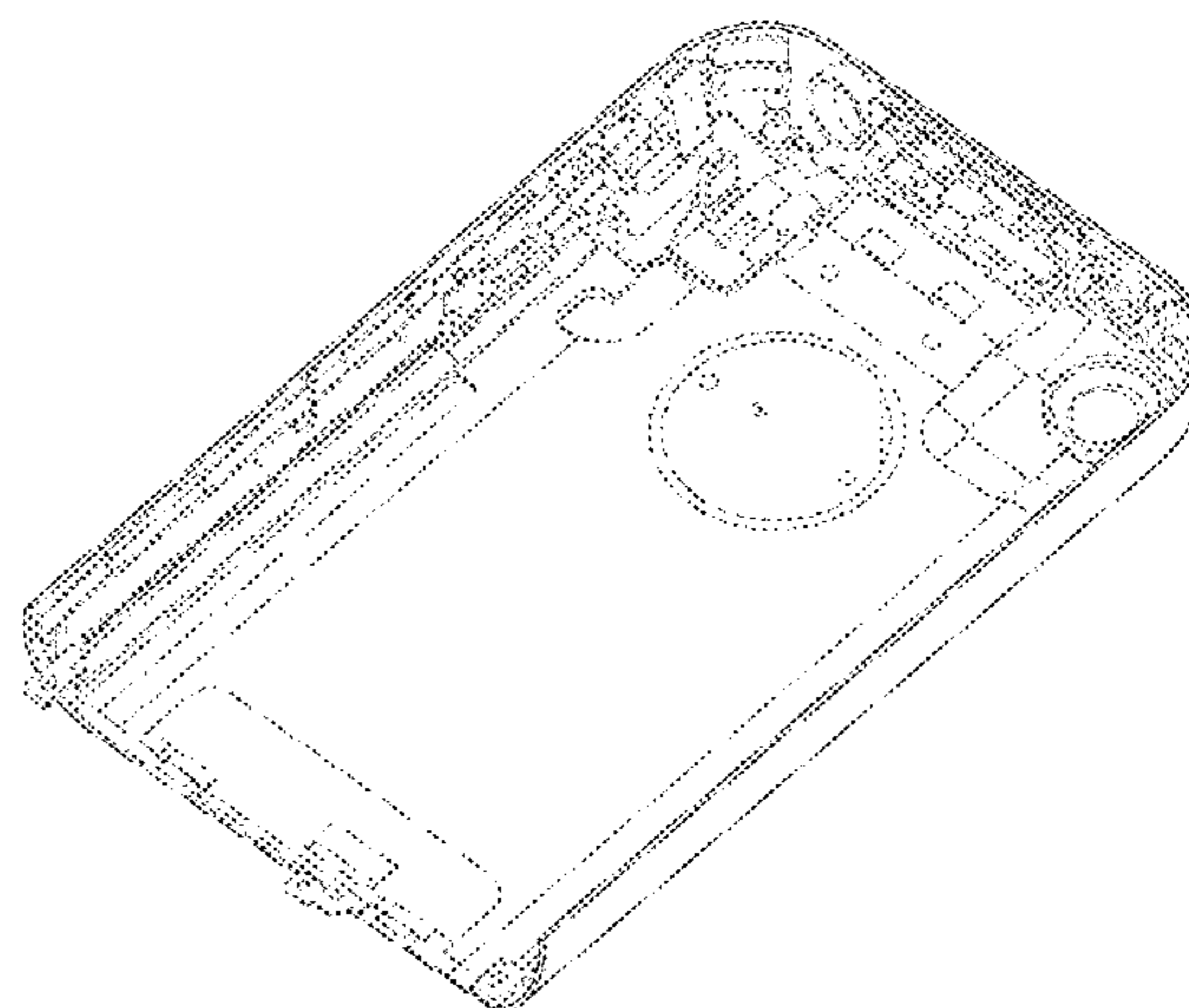
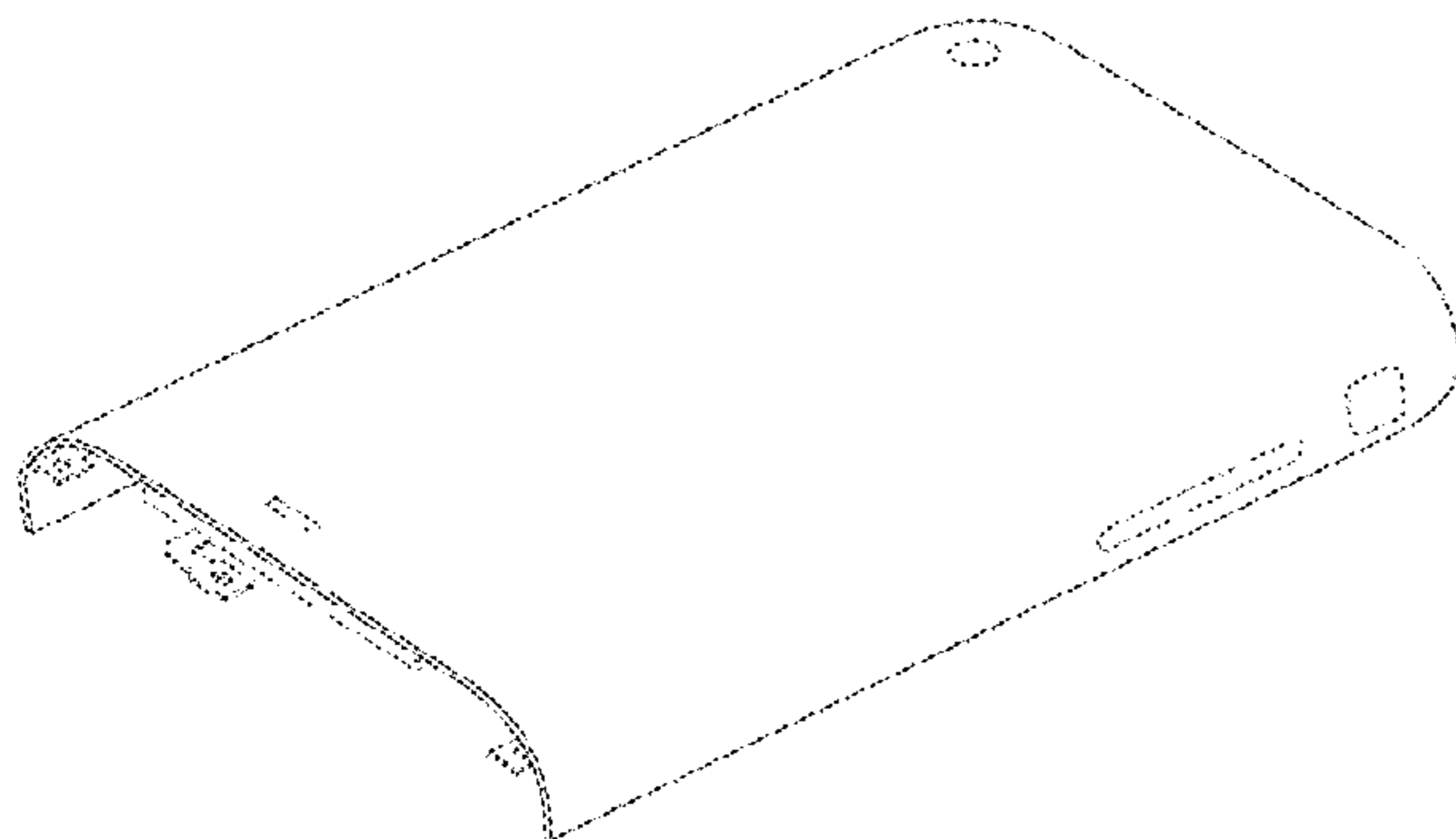
The ornamental design for a housing for an electronic device, as shown and described.

**DESCRIPTION**

FIG. 1 is a bottom rear perspective view of a housing for an electronic device showing our new design; FIG. 2 is a bottom front perspective view thereof; FIG. 3 is a front view thereof; FIG. 4 is a rear view thereof; FIG. 5 is a left side view thereof; FIG. 6 is a right side view thereof; FIG. 7 is a top view thereof; and, FIG. 8 is a bottom view thereof.

The broken lines in the Figures show portions of the housing for an electronic device which form no part of the claimed design.

**1 Claim, 6 Drawing Sheets**



(56)

References Cited

U.S. PATENT DOCUMENTS

D380,199 S *	6/1997	Beruscha et al.	.....	D13/184
D454,868 S *	3/2002	Vuolteenaho et al.	.....	D14/248
D465,486 S *	11/2002	Lee	.....	D14/341
D494,979 S *	8/2004	Su et al.	.....	D14/453
D556,681 S	12/2007	Kim		
7,303,424 B2	12/2007	Tu et al.		
D558,756 S *	1/2008	Andre et al.	.....	D14/341
D558,758 S *	1/2008	Andre et al.	.....	D14/341
D580,387 S *	11/2008	Andre et al.	.....	D14/138 G
D591,736 S *	5/2009	Wozniak	.....	D14/248
D597,067 S *	7/2009	Oh et al.	.....	D14/203.7
D604,716 S *	11/2009	Oh et al.	.....	D14/203.7
7,612,997 B1 *	11/2009	Diebel et al.	.....	361/679.56
D605,164 S *	12/2009	Li et al.	.....	D14/203.7
D606,064 S *	12/2009	Chen et al.	.....	D14/248
D609,226 S *	2/2010	Hofer et al.	.....	D14/248
7,660,560 B2	2/2010	Zuo et al.		
7,688,574 B2 *	3/2010	Zadesky et al.	.....	361/679.21
D613,736 S *	4/2010	Andre et al.	.....	D14/341
D617,792 S *	6/2010	Andre et al.	.....	D14/341
D618,204 S *	6/2010	Andre et al.	.....	D14/203.7
D619,361 S *	7/2010	Andre et al.	.....	D3/269
D620,004 S *	7/2010	Andre et al.	.....	D14/341
D622,716 S *	8/2010	Andre et al.	.....	D14/250
D624,072 S *	9/2010	Andre et al.	.....	D14/341
D625,303 S *	10/2010	Kim	.....	D14/250
D630,624 S *	1/2011	Corley et al.	.....	D14/248
D630,630 S *	1/2011	Andre et al.	.....	D14/341
7,876,274 B2	1/2011	Hobson et al.		
D633,090 S *	2/2011	Andre et al.	.....	D14/341
D633,092 S *	2/2011	Andre et al.	.....	D14/341
D641,018 S *	7/2011	Lee et al.	.....	D14/341
D645,435 S	9/2011	Kim et al.		
D648,693 S	11/2011	Kim et al.		
D649,526 S *	11/2011	Hu	.....	D14/203.7
D650,783 S *	12/2011	Ausfeld et al.	.....	D14/434
D651,606 S *	1/2012	Luijben	.....	D14/447
D653,641 S *	2/2012	Chen	.....	D14/138 G
8,145,280 B2 *	3/2012	Wu	.....	455/575.1
D657,782 S *	4/2012	Biller	.....	D14/250
2006/0281501 A1	12/2006	Zuo et al.		
2007/0010219 A1 *	1/2007	Qin et al.	.....	455/128
2007/0218961 A1 *	9/2007	Luo et al.	.....	455/575.1
2008/0225468 A1 *	9/2008	Huang et al.	.....	361/679
2009/0245565 A1	10/2009	Mittleman et al.		
2009/0256759 A1 *	10/2009	Hill et al.	.....	343/702
2010/0061055 A1 *	3/2010	Dabov et al.	.....	361/679.56
2012/0050963 A1 *	3/2012	Chen et al.	.....	361/679.01

\* cited by examiner

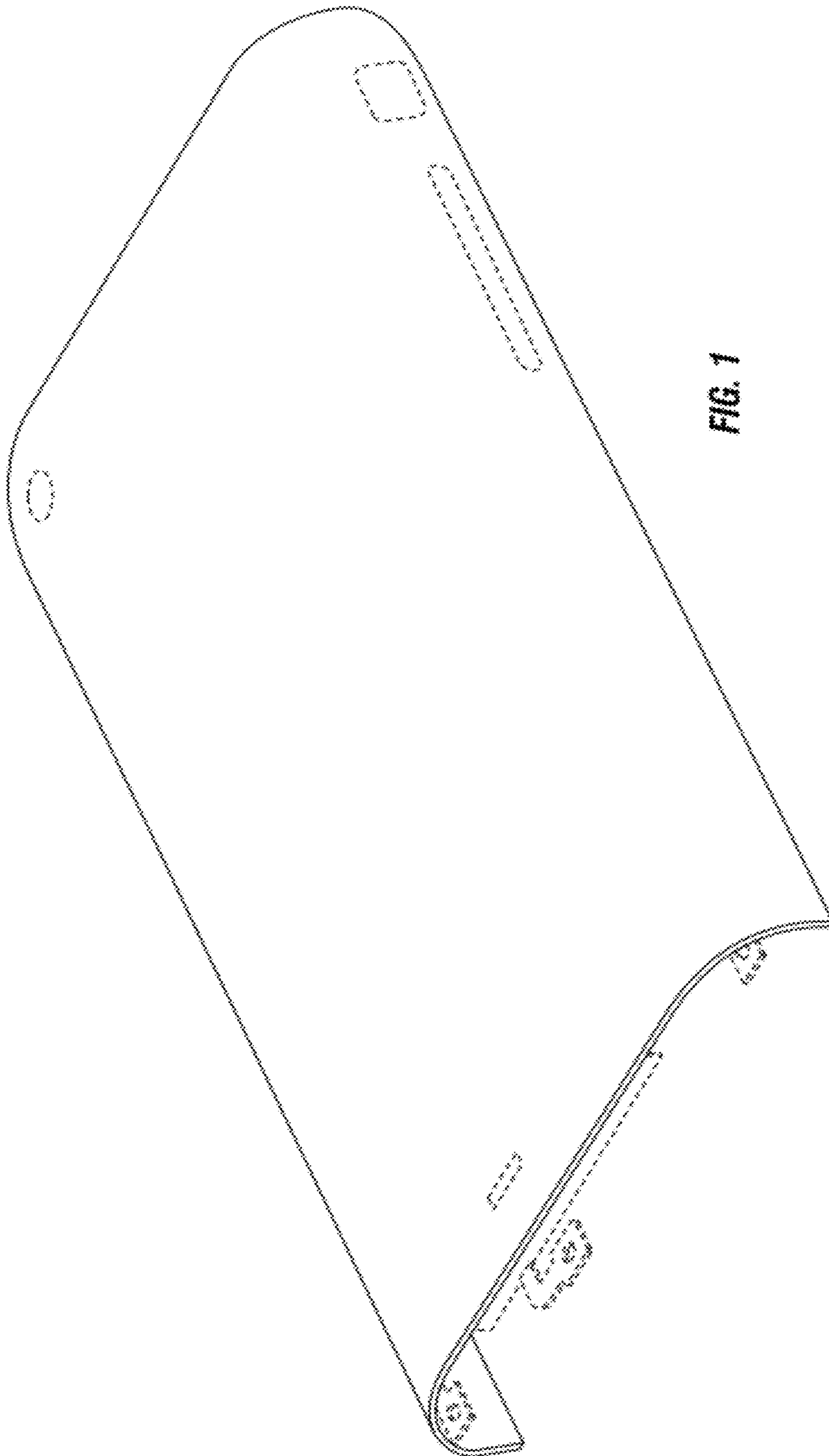


FIG. 1

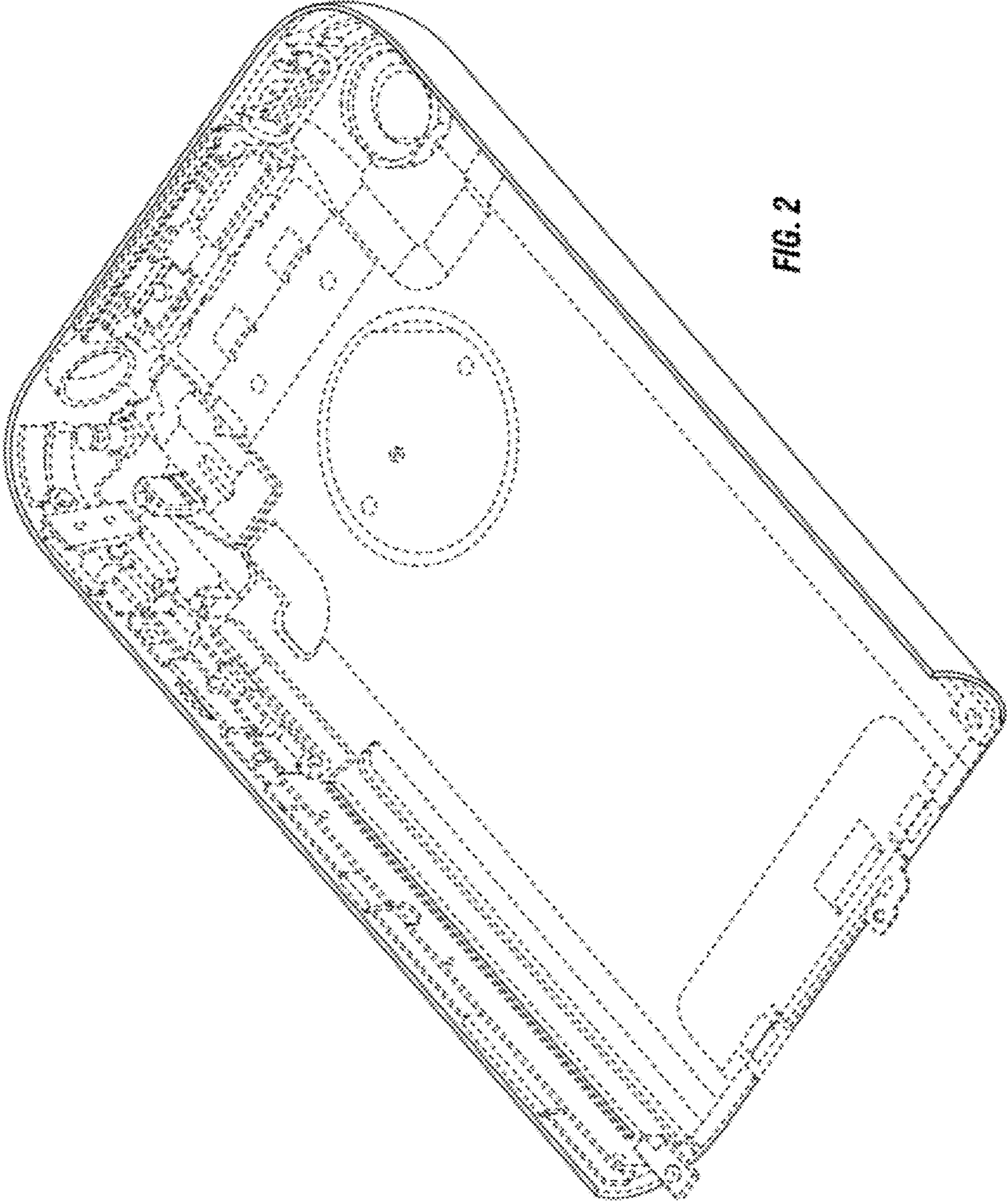


FIG. 2

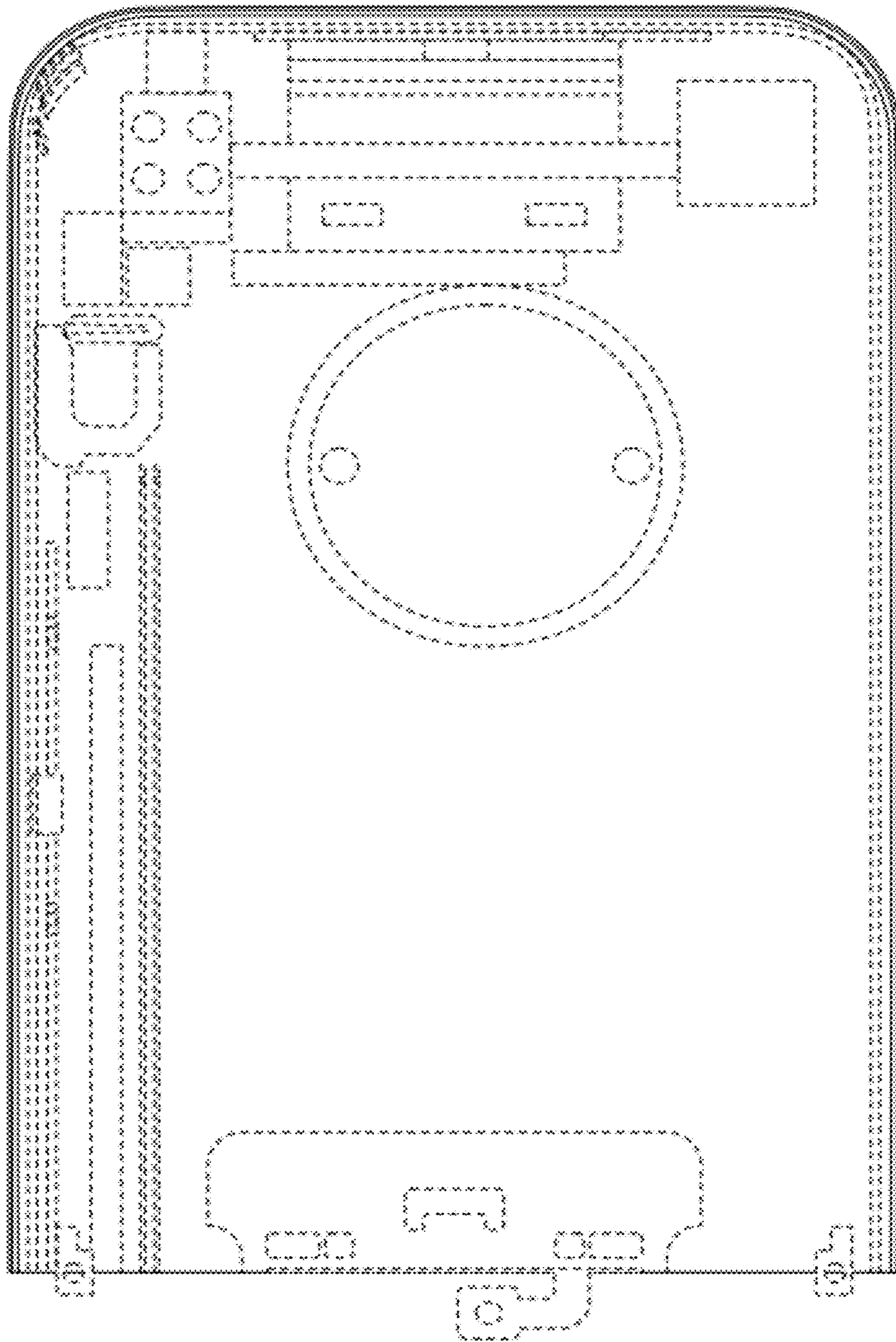


FIG. 3

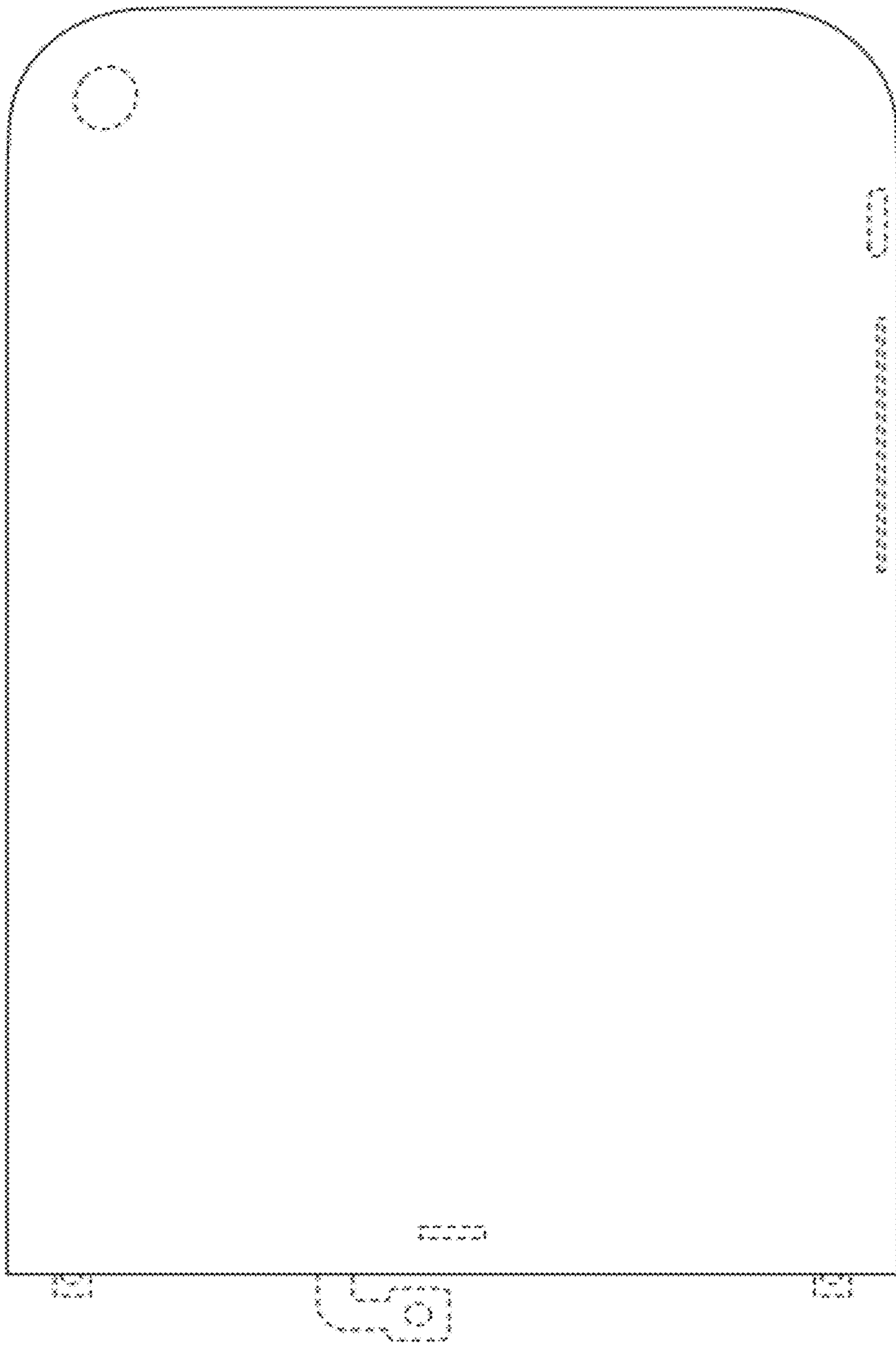


FIG. 4

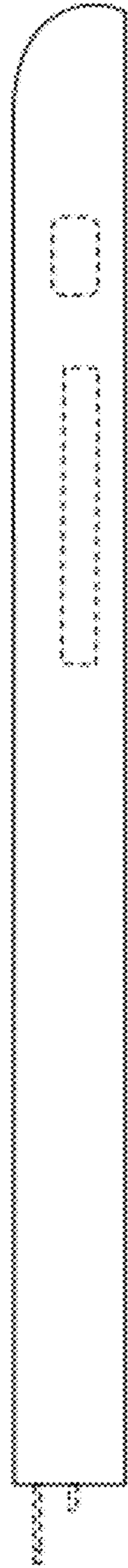


FIG. 5

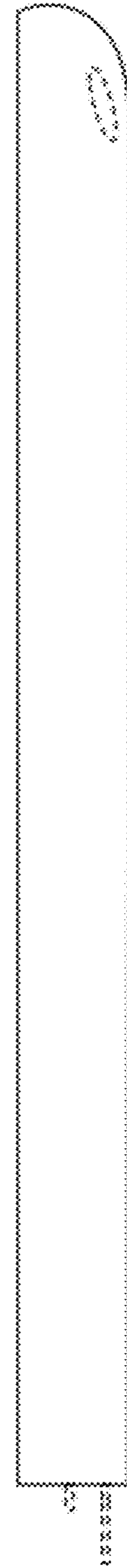
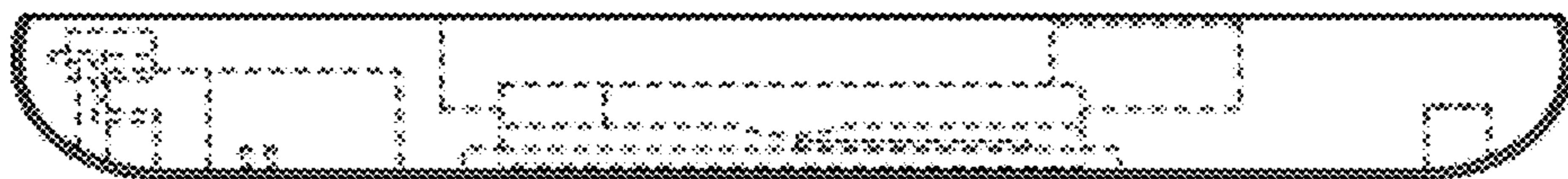


FIG. 6



**FIG. 7**



**FIG. 8**



UNITED STATES PATENT AND TRADEMARK OFFICE  
**CERTIFICATE OF CORRECTION**

PATENT NO. : D697,068 S  
APPLICATION NO. : 29/380128  
DATED : January 7, 2014  
INVENTOR(S) : Bartley K. Andre

Page 1 of 8

It is certified that error appears in the above-identified patent and that said Letters Patent is hereby corrected as shown below:

Delete title page and substitute therefore with the attached title page consisting of corrected illustrative figures.

Delete Drawing Sheets 1-6 and substitute therefore with the attached Drawings Sheets 1-6 consisting of FIGS. 1-8.

Signed and Sealed this  
Fourteenth Day of October, 2014



Michelle K. Lee  
*Deputy Director of the United States Patent and Trademark Office*

(12) **United States Design Patent** (10) **Patent No.:** **US D697,068 S**  
**Andre et al.** (45) **Date of Patent:** **\*\* Jan. 7, 2014**

(54) **HOUSING FOR AN ELECTRONIC DEVICE**

(75) Inventors: **Bartley K. Andre**, Palo Alto, CA (US); **Daniel J. Coster**, San Francisco, CA (US); **Daniele De Iuliis**, San Francisco, CA (US); **Richard Hung Minh Dinh**, San Jose, CA (US); **Phillip M. Hobson**, Menlo Park, CA (US); **Richard P. Howarth**, San Francisco, CA (US); **Jonathan P. Ive**, San Francisco, CA (US); **Kenneth Arthur Jenks**, Capitola, CA (US); **Steve Jobs**, Palo Alto, CA (US); **Duncan Robert Kerr**, San Francisco, CA (US); **Adam Duckworth Mittleman**, San Francisco, CA (US); **Shin Nishibori**, Kailua, HI (US); **Matthew Dean Rohrbach**, San Francisco, CA (US); **Douglas B. Satzger**, Menlo Park, CA (US); **Calvin Q. Seid**, Palo Alto, CA (US); **Vincent Keane Seid**, legal representative, Los Gatos, CA (US); **Christopher J. Stringer**, Woodside, CA (US); **Tang Yew Tan**, San Francisco, CA (US); **Erik Li Wang**, Redwood City, CA (US); **Eugene Antony Whang**, San Francisco, CA (US); **Rico Zörkendörfer**, San Francisco, CA (US)

(73) Assignee: **Apple Inc.**, Cupertino, CA (US)

(\*\*) Term: **14 Years**

(21) Appl. No.: **29/380,128**

(22) Filed: **Nov. 30, 2010**

**Related U.S. Application Data**

(63) Continuation of application No. 11/821,329, filed on Jun. 21, 2007, now Pat. No. 7,889,139.

(51) **LOC (10) Cl.** ..... **14-02**

(52) **U.S. Cl.**  
 USPC ..... **D14/439**

(58) **Field of Classification Search**  
 USPC ..... D14/341-347, 424, 425, 432-453, 464, D14/468, 469, 471, 496, 511, 138 AA, D14/138 AD, 138 C, 138 G, 203.1-203.8, D14/217, 238.1, 248, 250, 257, 299; 361/679.01, 679.02, 679.03, 679.3, 361/679.55, 679.56; 455/550.1, 556.1, 455/556.2, 575.1, 575.3-575.5, 575.8, 90.3  
 See application file for complete search history.

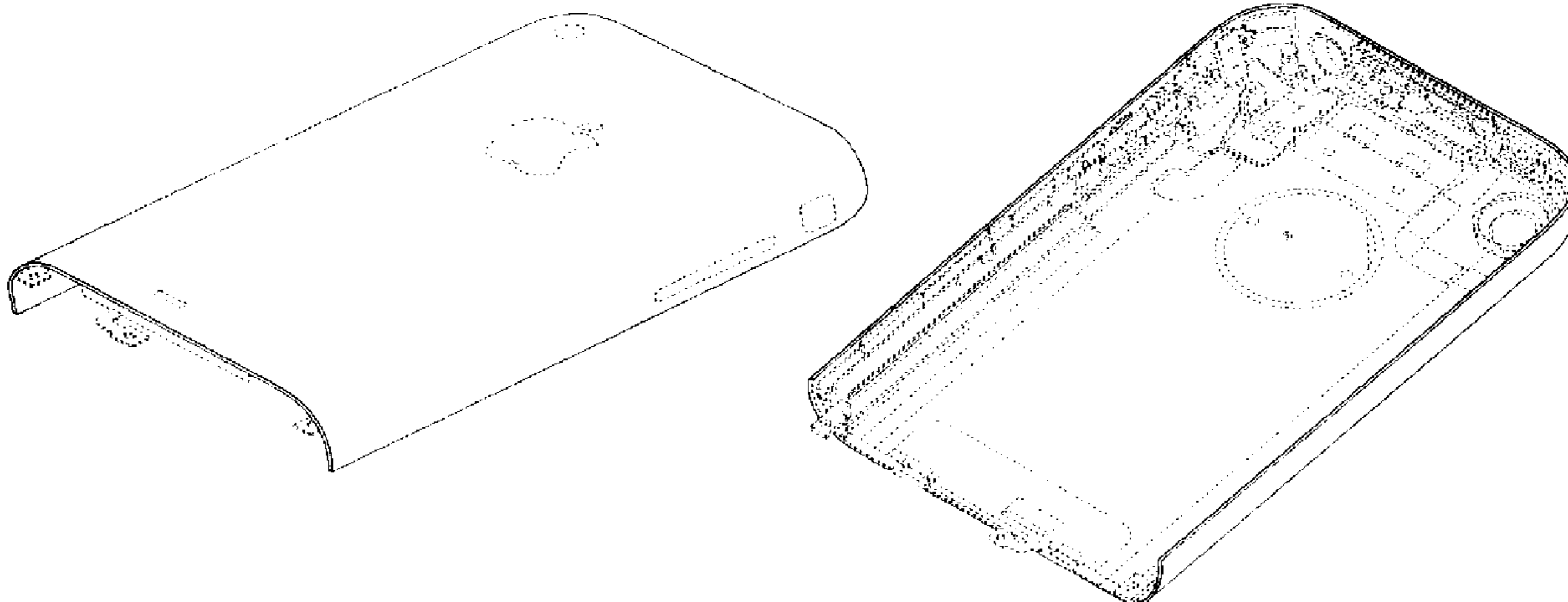
(56) **References Cited**  
 U.S. PATENT DOCUMENTS  
 2,968,176 A \* 1/1961 Collings ..... 70/456 R  
 5,180,644 A 1/1993 Bresin et al.  
 (Continued)

FOREIGN PATENT DOCUMENTS  
 JP 1142127 5/2002  
 TW D126454 12/2008  
 TW D127018 1/2009  
 Primary Examiner — Deanna L Pratt  
 (74) Attorney, Agent, or Firm — Sterne, Kessler, Goldstein & Fox PLLC

(57) **CLAIM**  
 The ornamental design for a housing for an electronic device, as shown and described.

**DESCRIPTION**  
 FIG. 1 is a bottom rear perspective view of a housing for an electronic device showing our new design;  
 FIG. 2 is a bottom front perspective view thereof;  
 FIG. 3 is a front view thereof;  
 FIG. 4 is a rear view thereof;  
 FIG. 5 is a left side view thereof;  
 FIG. 6 is a right side view thereof;  
 FIG. 7 is a top view thereof; and,  
 FIG. 8 is a bottom view thereof.  
 The broken lines in the Figures show portions of the housing for an electronic device which form no part of the claimed design.

**1 Claim, 6 Drawing Sheets**



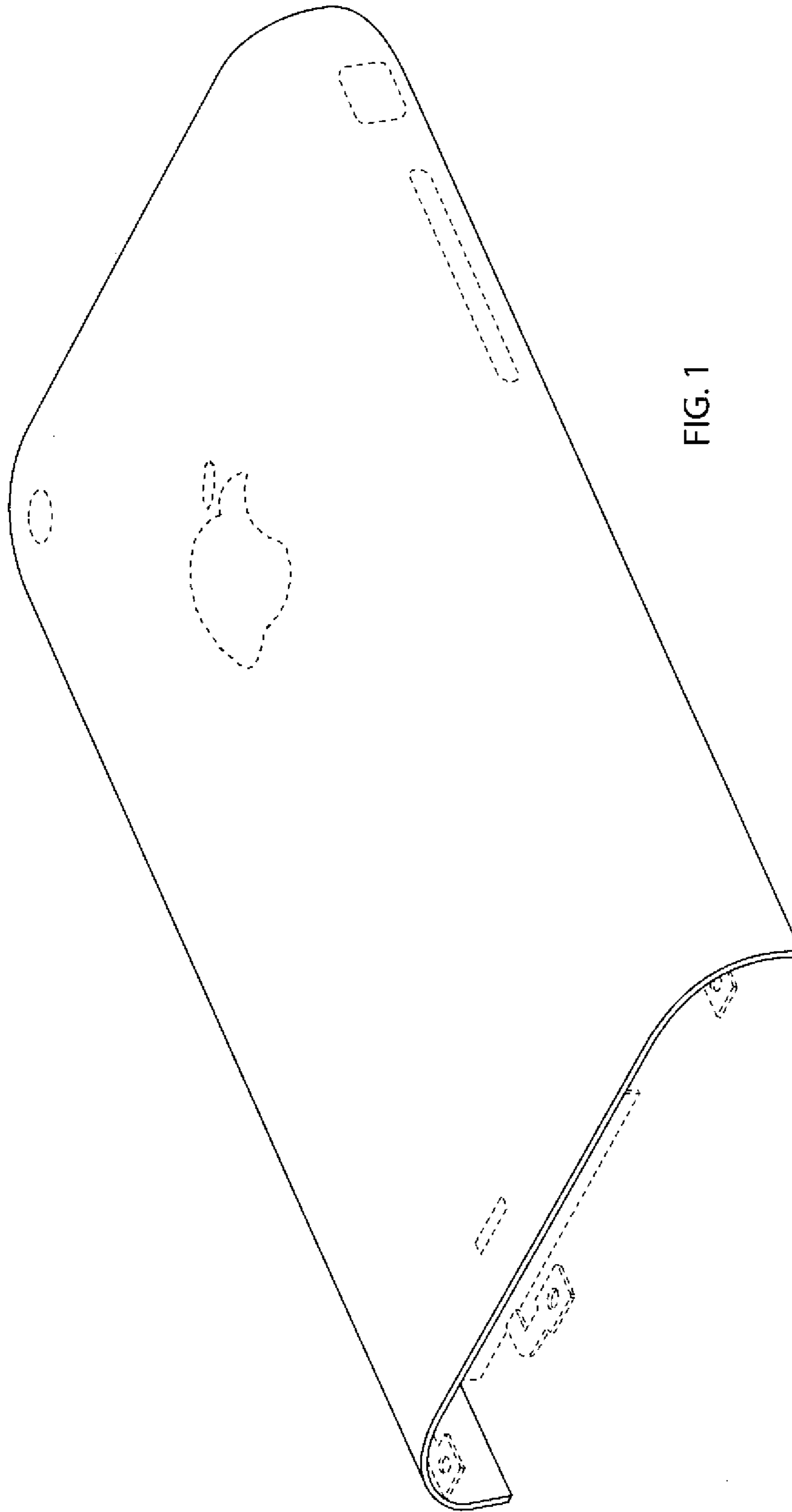


FIG. 1

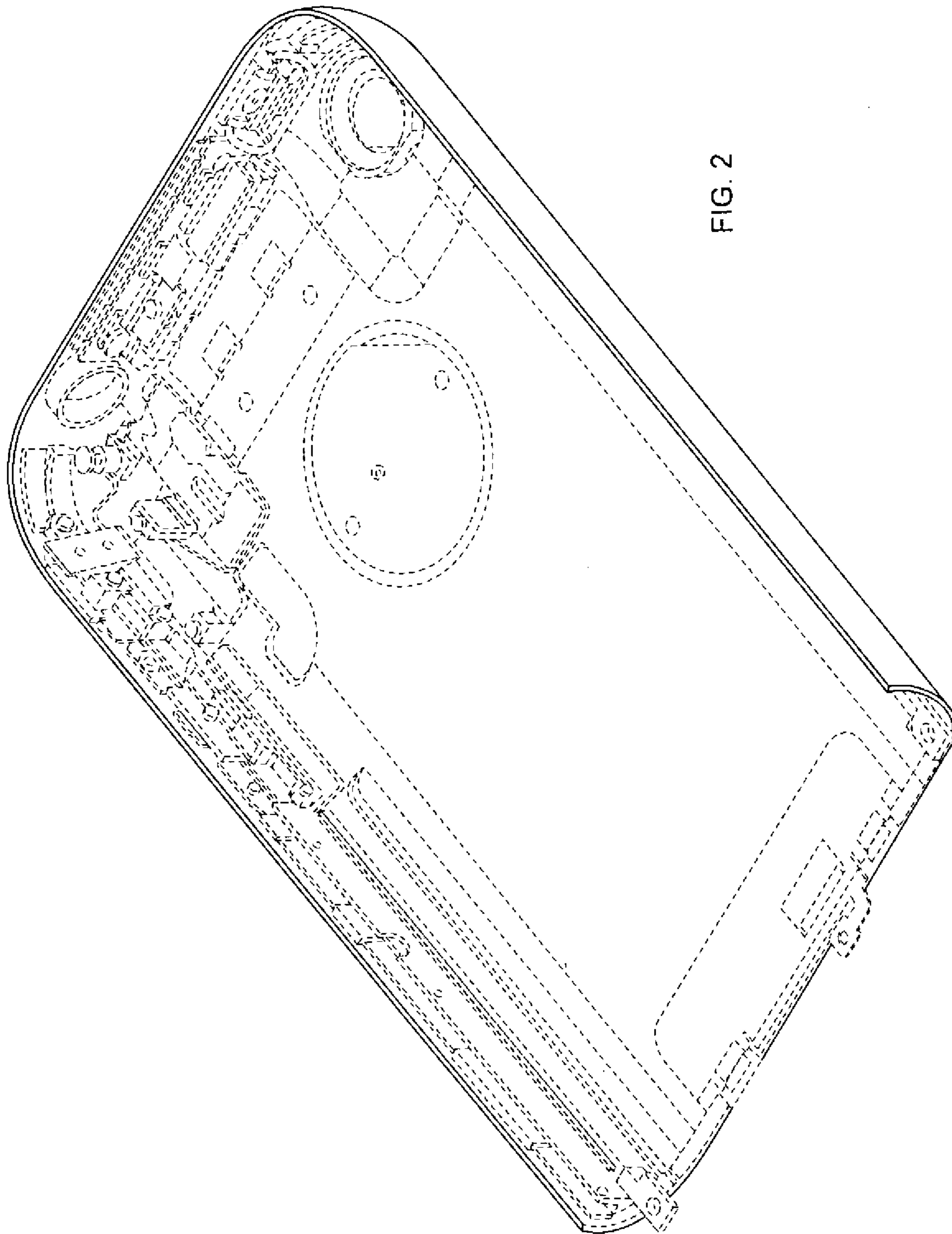


FIG. 2

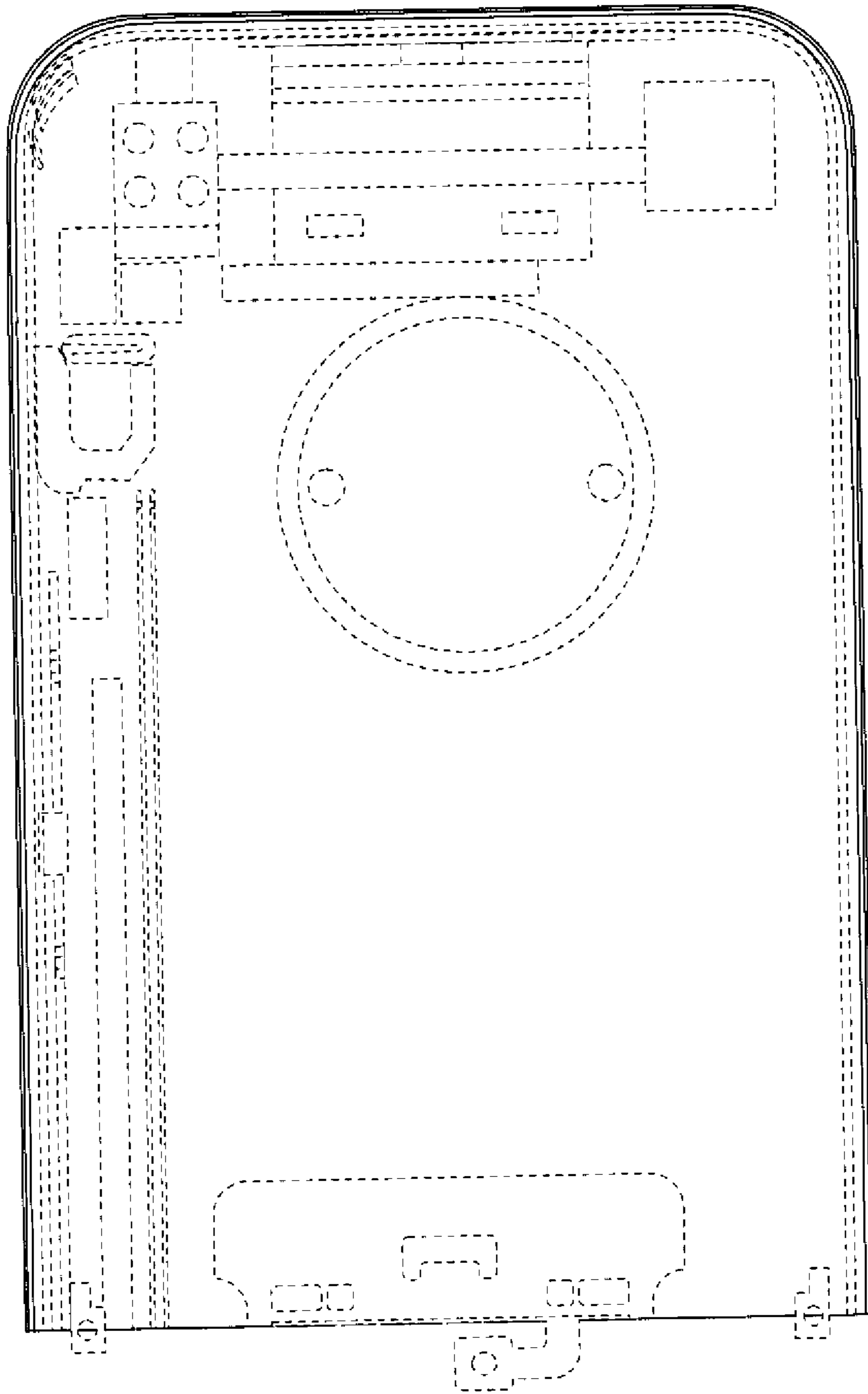


FIG. 3

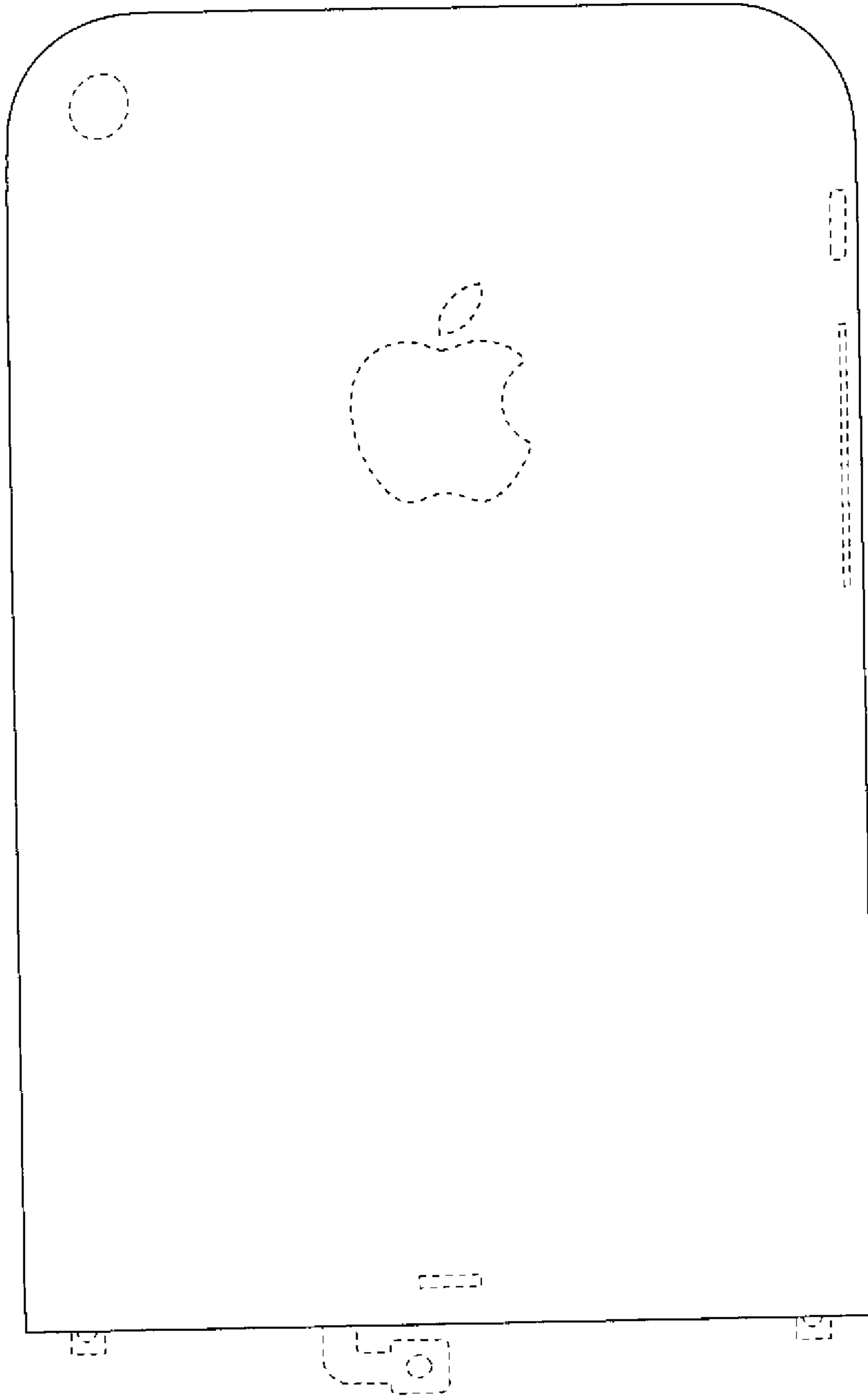


FIG. 4

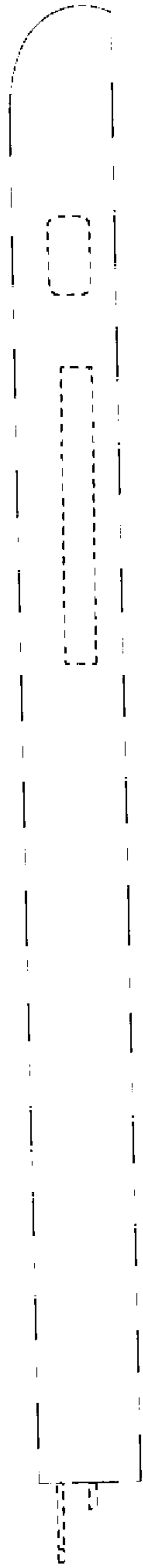


FIG. 5

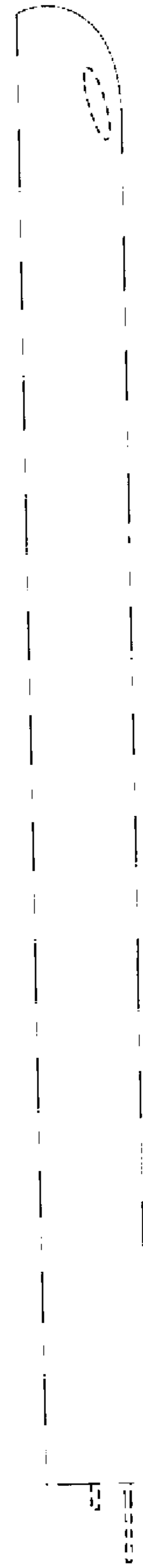


FIG. 6

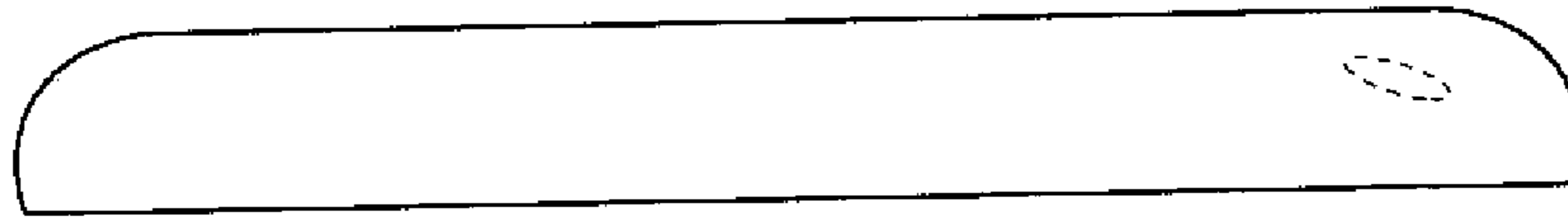


FIG. 7

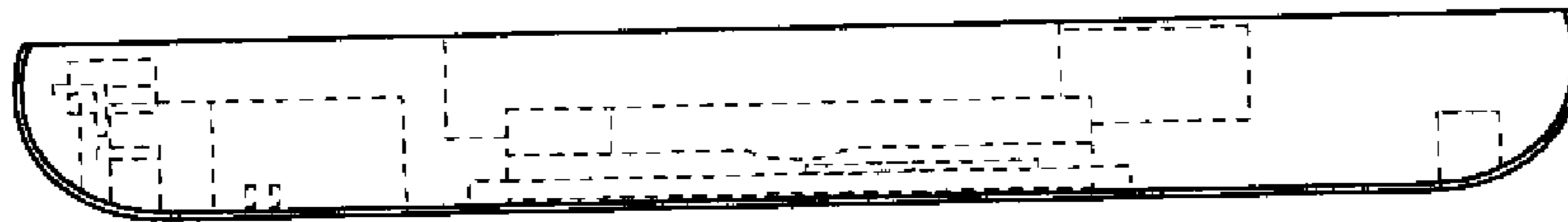


FIG. 8



UNITED STATES PATENT AND TRADEMARK OFFICE  
**CERTIFICATE OF CORRECTION**

PATENT NO. : D697,068 S  
APPLICATION NO. : 29/380128  
DATED : January 7, 2014  
INVENTOR(S) : Bartley K. Andre

Page 1 of 8

It is certified that error appears in the above-identified patent and that said Letters Patent is hereby corrected as shown below:

Delete title page and substitute therefore with the attached title page consisting of corrected illustrative figures.

In the Drawings

Delete Drawing Sheets 1-6 and substitute therefore with the attached Drawings Sheets 1-6 consisting of FIGS. 1-8.

This certificate supersedes the Certificate of Correction issued October 14, 2014.

Signed and Sealed this  
Thirty-first Day of March, 2015



Michelle K. Lee  
*Director of the United States Patent and Trademark Office*

(12) **United States Design Patent**  
**Andre et al.**

(10) **Patent No.:** **US D697,068 S**  
(45) **Date of Patent:** **\*\* Jan. 7, 2014**

(54) **HOUSING FOR AN ELECTRONIC DEVICE**

(75) Inventors: **Bartley K. Andre**, Palo Alto, CA (US); **Daniel J. Coster**, San Francisco, CA (US); **Daniele De Iuliis**, San Francisco, CA (US); **Richard Hung Minh Dinh**, San Jose, CA (US); **Phillip M. Hobson**, Menlo Park, CA (US); **Richard P. Howarth**, San Francisco, CA (US); **Jonathan P. Ive**, San Francisco, CA (US); **Kenneth Arthur Jenks**, Capitola, CA (US); **Steve Jobs**, Palo Alto, CA (US); **Duncan Robert Kerr**, San Francisco, CA (US); **Adam Duckworth Mittleman**, San Francisco, CA (US); **Shin Nishibori**, Kailua, HI (US); **Matthew Dean Rohrbach**, San Francisco, CA (US); **Douglas B. Satzger**, Menlo Park, CA (US); **Calvin Q. Seid**, Palo Alto, CA (US); **Vincent Keane Seid**, legal representative, Los Gatos, CA (US); **Christopher J. Stringer**, Woodside, CA (US); **Tang Yew Tan**, San Francisco, CA (US); **Erik Li Wang**, Redwood City, CA (US); **Eugene Antony Whang**, San Francisco, CA (US); **Rico Zörkendörfer**, San Francisco, CA (US)

(73) Assignee: **Apple Inc.**, Cupertino, CA (US)

(\*\*) **Term:** **14 Years**

(21) **Appl. No.:** **29/380,128**

(22) **Filed:** **Nov. 30, 2010**

**Related U.S. Application Data**

(63) Continuation of application No. 11/821,329, filed on Jun. 21, 2007, now Pat. No. 7,889,139.

(51) **LOC (10) Cl.** ..... **14-02**

(52) **U.S. Cl.**  
**USPC** ..... **D14/439**

(58) **Field of Classification Search**

USPC ..... D14/341 347, 424, 425, 432 453, 464, D14/468, 469, 471, 496, 511, 138 AA, D14/138 AD, 138 C, 138 G, 203.1-203.8, D14/217, 238.1, 248, 250, 257, 299; 361/679.01, 679.02, 679.03, 679.3, 361/679.55, 679.56; 455/550.1, 556.1, 455/556.2, 575.1, 575.3-575.5, 575.8, 90.3  
See application file for complete search history.

(56) **References Cited**

**U.S. PATENT DOCUMENTS**

2,968,176 A \* 1/1961 Collings ..... 70/456 R  
5,180,644 A 1/1993 Bresin et al.

(Continued)

**FOREIGN PATENT DOCUMENTS**

JP 1142127 5/2002  
TW D126454 12/2008  
TW D127018 1/2009

*Primary Examiner* -- Deanna I. Pratt

(74) *Attorney, Agent, or Firm* Sterne, Kessler, Goldstein & Fox PLLC

(57) **CLAIM**

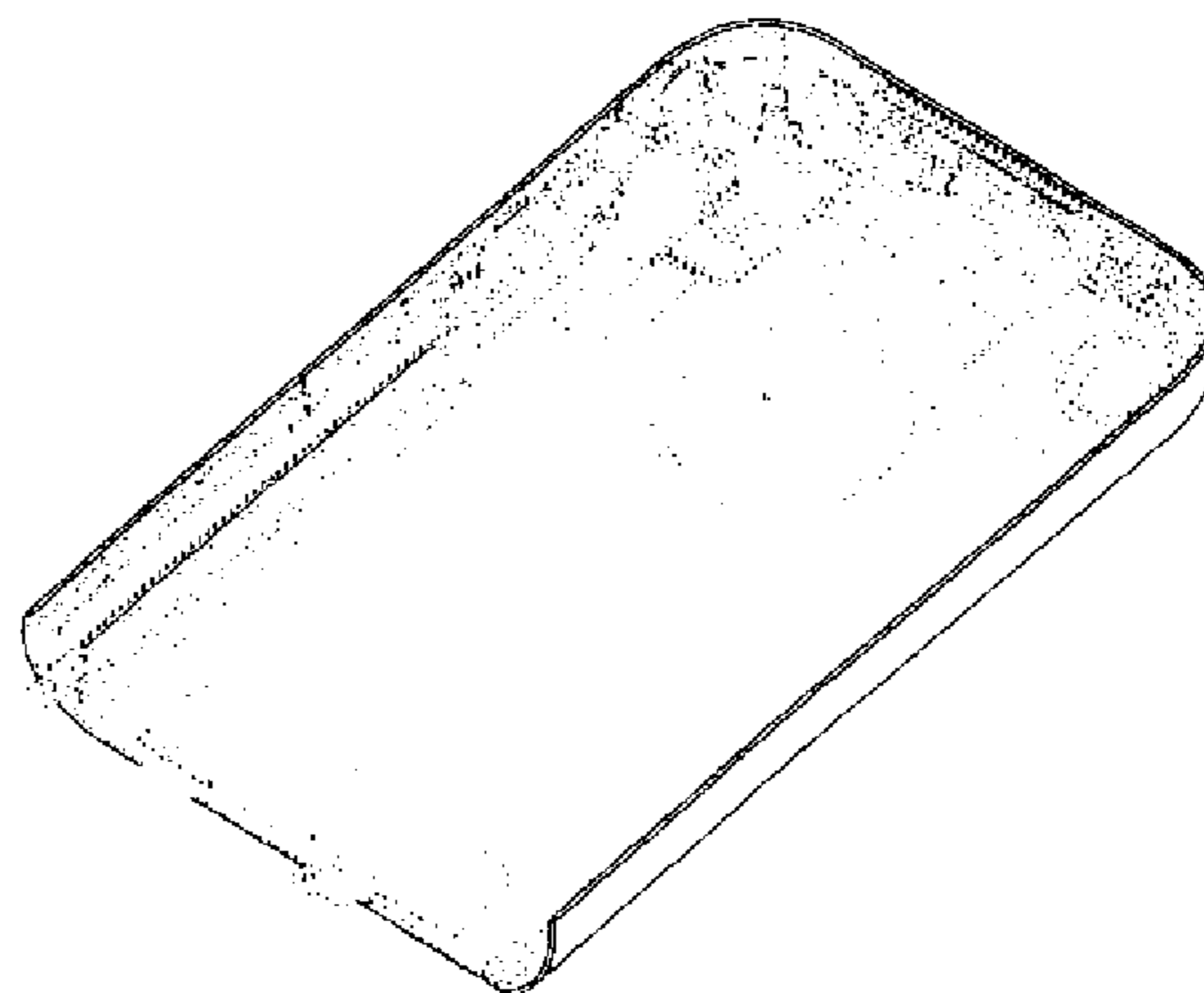
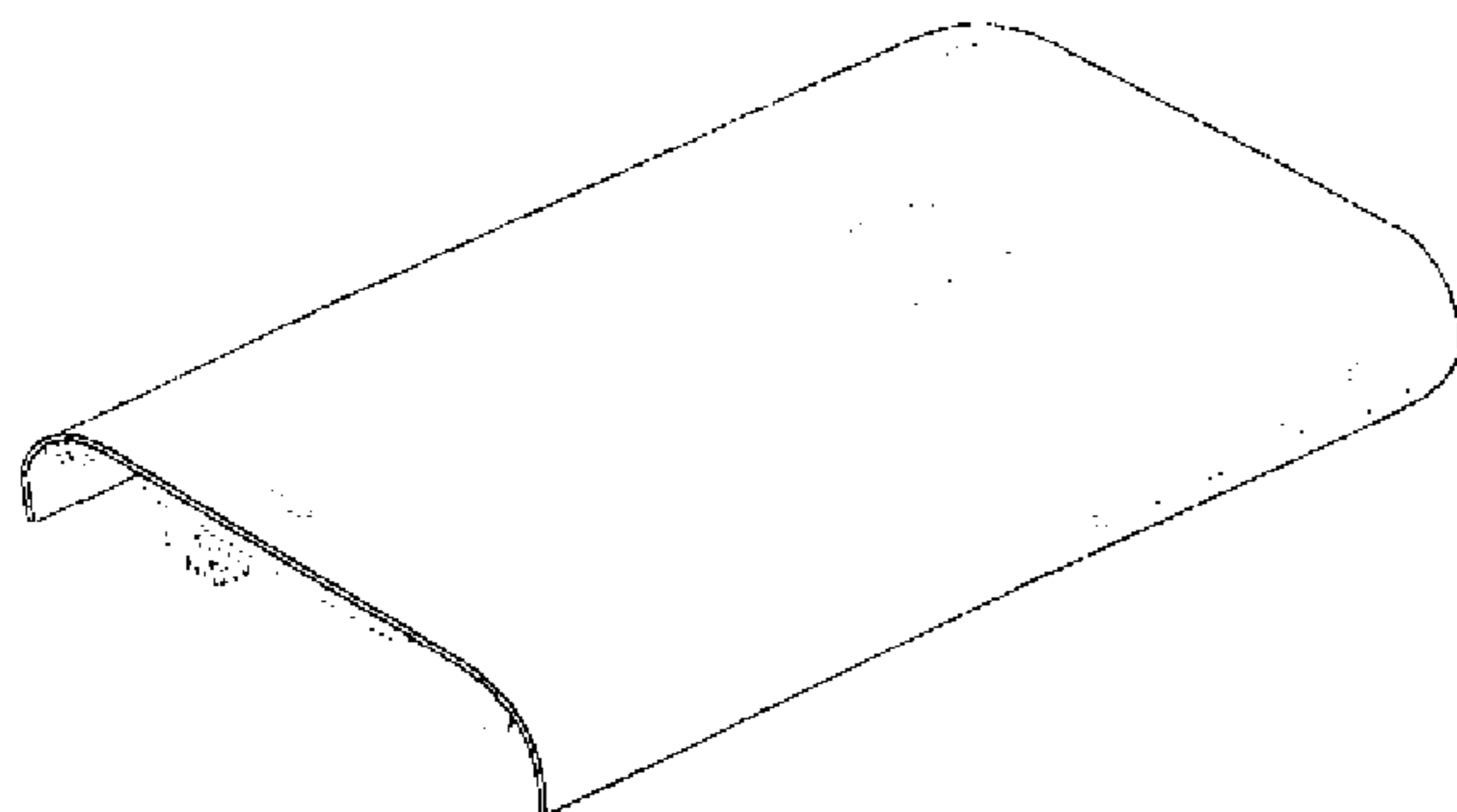
The ornamental design for a housing for an electronic device, as shown and described.

**DESCRIPTION**

FIG. 1 is a bottom rear perspective view of a housing for an electronic device showing our new design;  
FIG. 2 is a bottom front perspective view thereof;  
FIG. 3 is a front view thereof;  
FIG. 4 is a rear view thereof;  
FIG. 5 is a left side view thereof;  
FIG. 6 is a right side view thereof;  
FIG. 7 is a top view thereof; and,  
FIG. 8 is a bottom view thereof.

The broken lines in the Figures show portions of the housing for an electronic device which form no part of the claimed design.

**1 Claim, 6 Drawing Sheets**



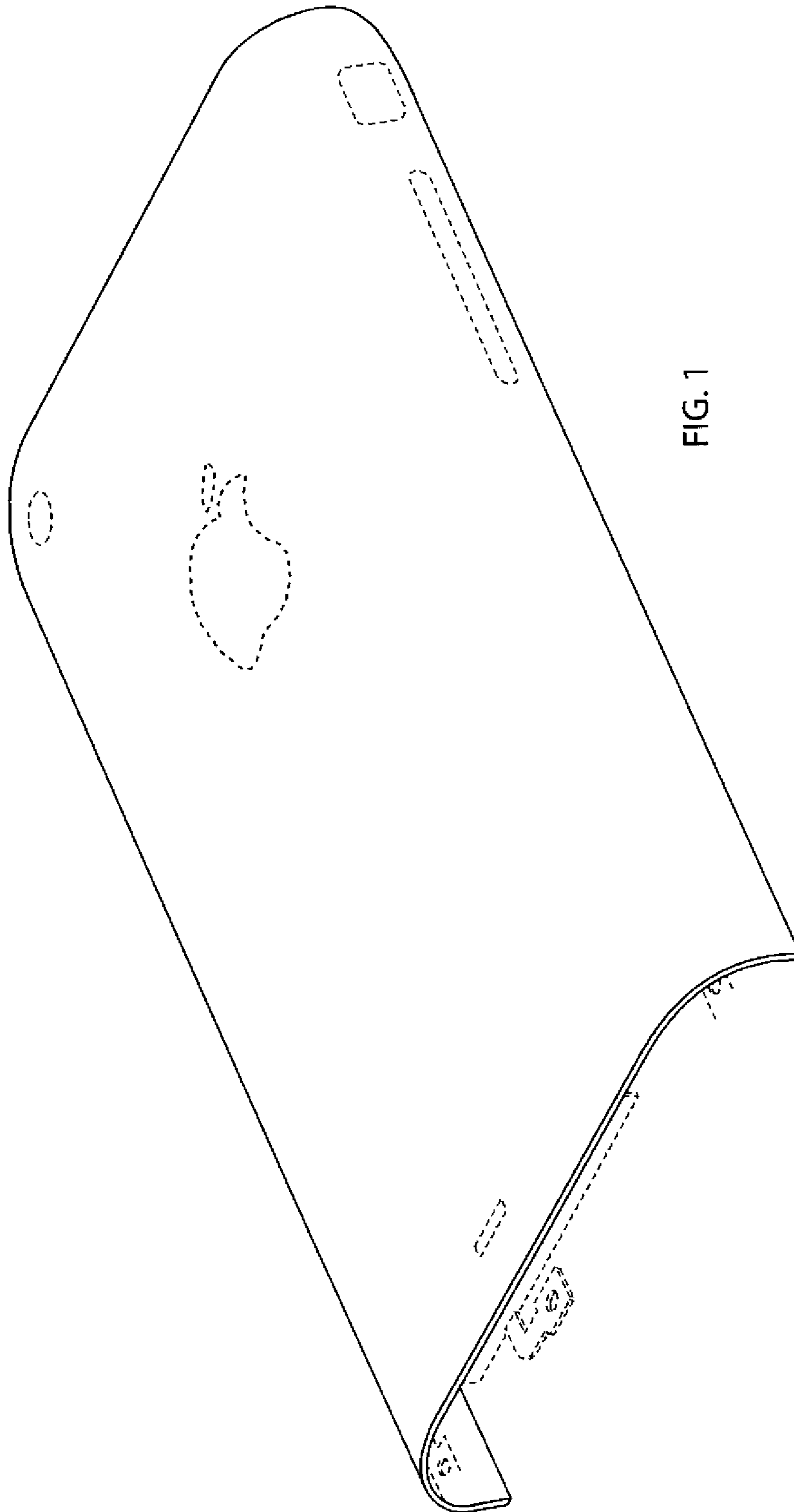


FIG. 1

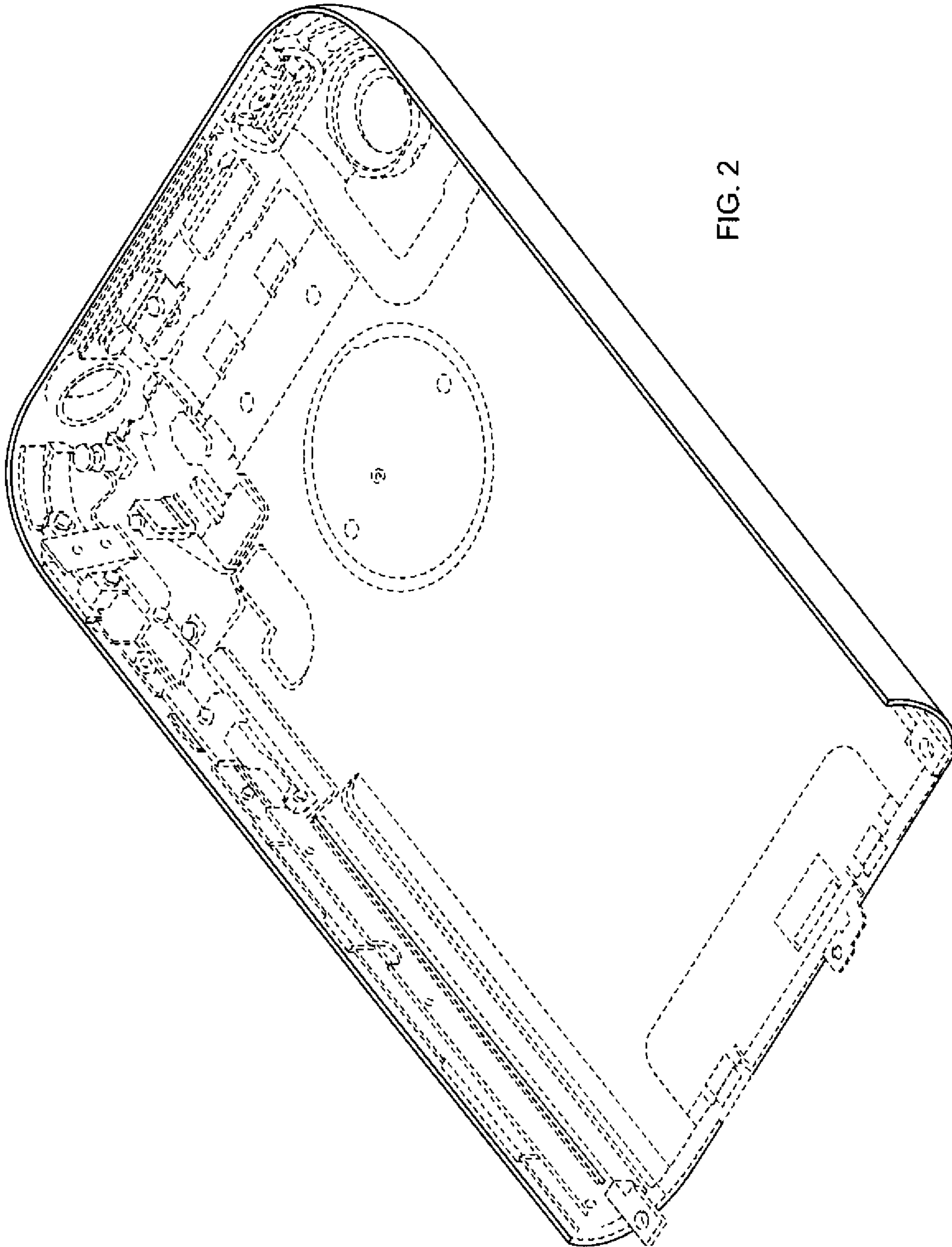


FIG. 2

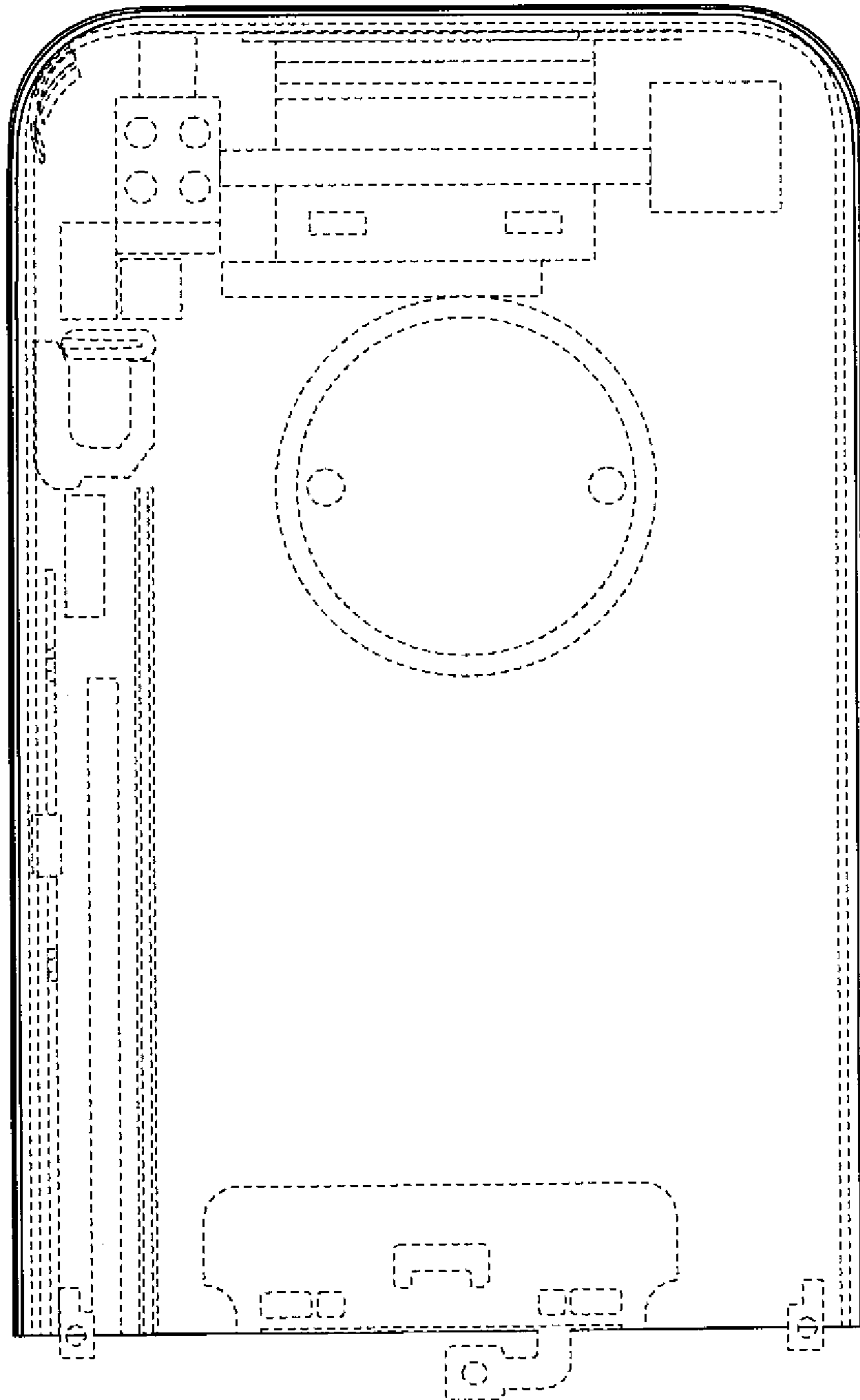


FIG. 3

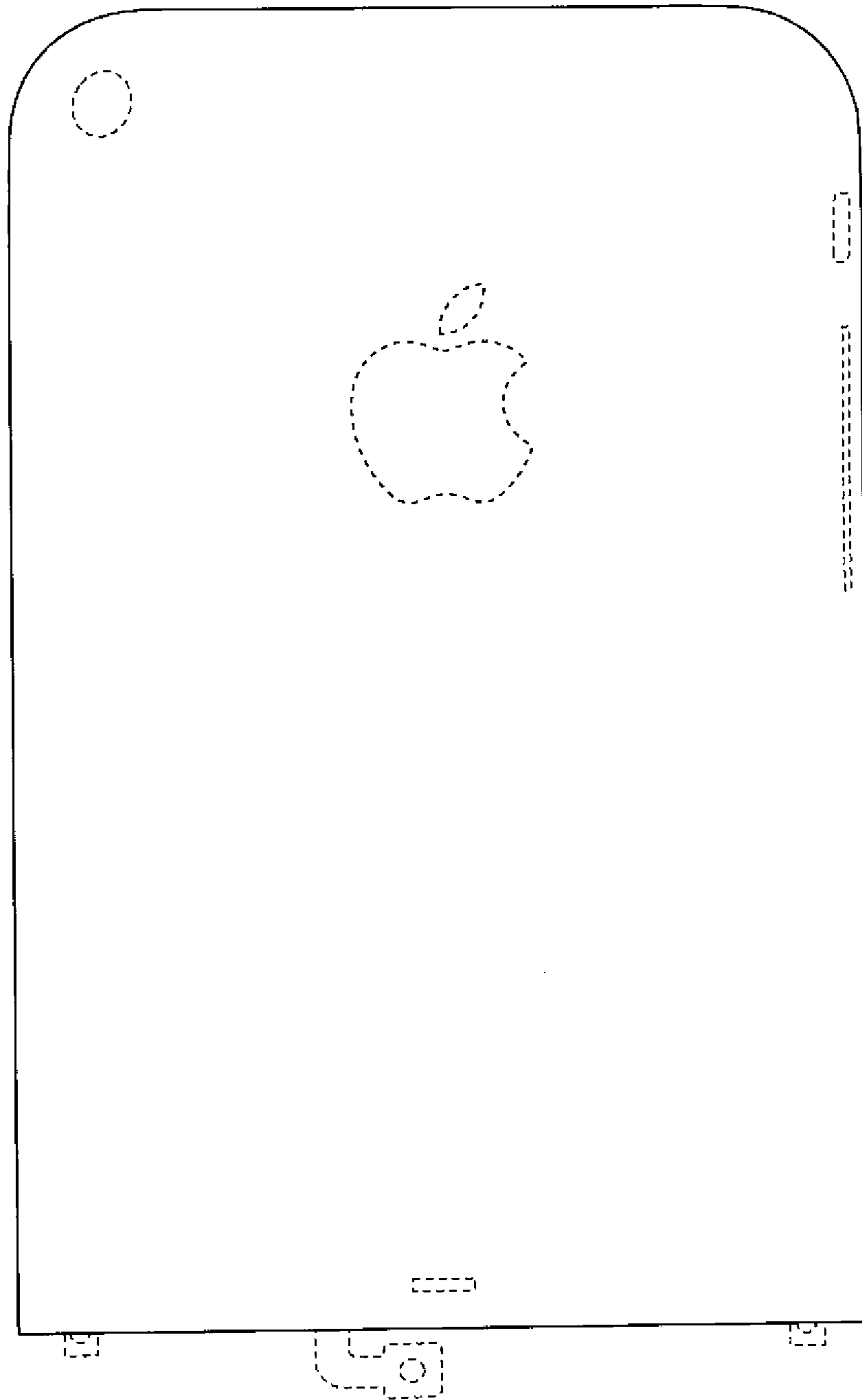


FIG. 4

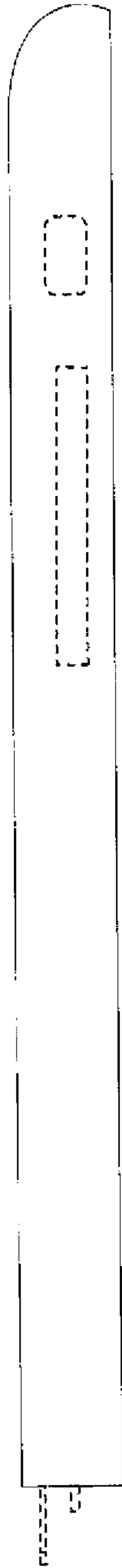


FIG. 5

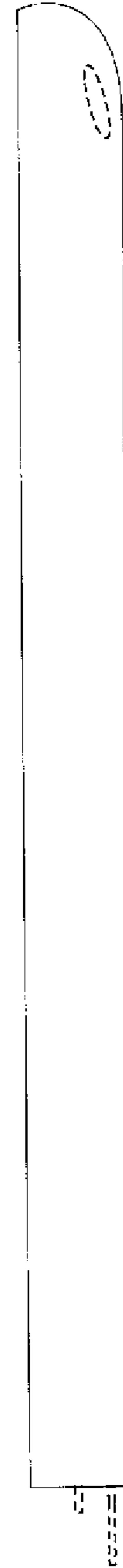


FIG. 6

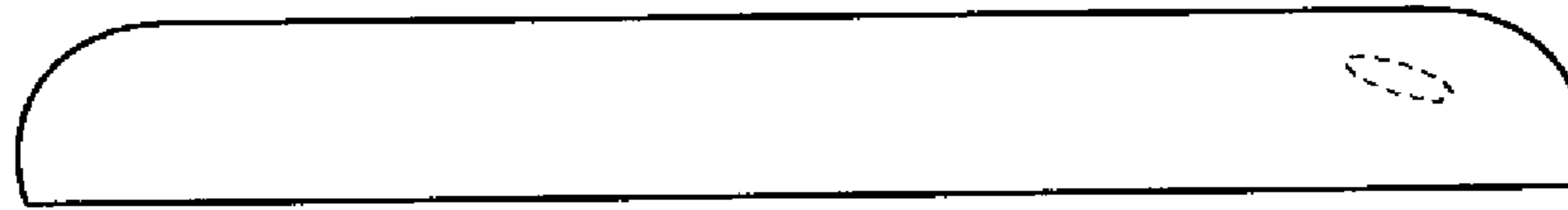


FIG. 7

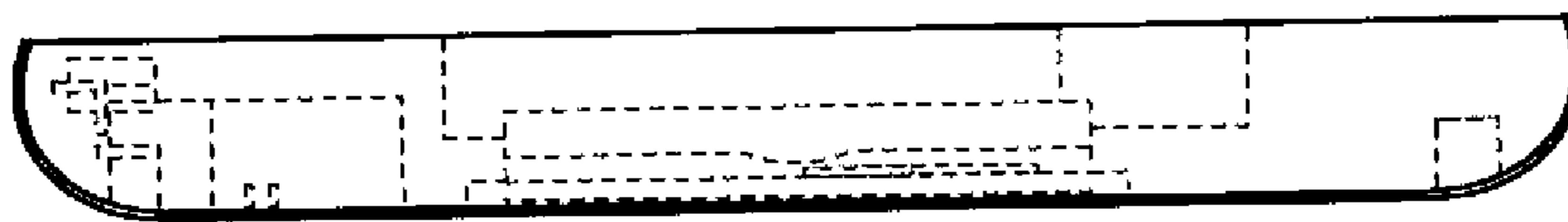


FIG. 8