



US00D697067S

(12) **United States Design Patent**
Minafó et al.

(10) **Patent No.:** **US D697,067 S**
(45) **Date of Patent:** **** Jan. 7, 2014**

(54) **PORTABLE TERMINAL**

(71) Applicant: **Datalogic IP Tech S.R.L.**, Lippo di Calderara di Reno (IT)

(72) Inventors: **Giovanni Minafó**, Cento (IT); **Monica Alegiani**, Silvi (IT)

(73) Assignee: **Datalogic IP Tech S.r.l.**, Lippo di Calderara di Reno (Bologna) (IT)

(**) Term: **14 Years**

(21) Appl. No.: **29/443,339**

(22) Filed: **Jan. 16, 2013**

Related U.S. Application Data

(63) Continuation of application No. 29/419,278, filed on Apr. 26, 2012, now Pat. No. Des. 676,850.

(30) **Foreign Application Priority Data**

Nov. 4, 2011 (EM) 1942723

(51) **LOC (10) Cl.** **14-02**

(52) **U.S. Cl.**
USPC **D14/429**; D14/428

(58) **Field of Classification Search**

USPC D14/420, 426-430, 453, 346, 341, 347, D14/412, 138; D13/107, 184; 358/473; 235/462.43, 462.45, 462.47, 462.48, 235/462.44, 462.46, 487, 472.01, 472.02, 235/145 A, 145 R; D10/78; 324/426; D3/273; 710/73; D18/7; 361/679; 382/313, 321; 455/575.1, 561, 572; 345/156, 168, 169, 172, 173, 87

See application file for complete search history.

(56) **References Cited**

U.S. PATENT DOCUMENTS

4,621,189 A * 11/1986 Kumar et al. 235/462.45
D342,256 S 12/1993 Payne et al.

(Continued)

FOREIGN PATENT DOCUMENTS

DE 20016762 U1 1/2001
EM 000469143 A1 3/2006

(Continued)

OTHER PUBLICATIONS

Photographs of Datalogic Falcon® [Model 4410] Scanner from Datalogic Mobile's web site, product first released circa 2005, 6 pages.

(Continued)

Primary Examiner — Susan Moon Lee

(74) *Attorney, Agent, or Firm* — Duane Morris LLP

(57) **CLAIM**

We claim the ornamental design for a portable terminal, as shown and described.

DESCRIPTION

This application is also related to copending U.S. Design application Ser. No. 29/419,270 to the same inventors filed on Apr. 26, 2012.

FIG. 1 is a perspective front view of a portable terminal according to the present invention.

FIG. 2 is a perspective rear view of the portable terminal of FIG. 1.

FIG. 3 is a front view of the portable terminal of FIG. 1.

FIG. 4 is a rear view of the portable terminal of FIG. 1.

FIG. 5 is a top view of the portable terminal of FIG. 1.

FIG. 6 is a bottom view of the portable terminal of FIG. 1.

FIG. 7 is a left side view of the portable terminal of FIG. 1.

FIG. 8 is a right side view of the portable terminal of FIG. 1.

FIG. 9 is a perspective front view of a second embodiment of a portable terminal according to the present invention.

FIG. 10 is a perspective rear view of the portable terminal of FIG. 9.

FIG. 11 is a front view of the portable terminal of FIG. 9.

FIG. 12 is a rear view of the portable terminal of FIG. 9.

FIG. 13 is a top view of the portable terminal of FIG. 9.

FIG. 14 is a bottom view of the portable terminal of FIG. 9.

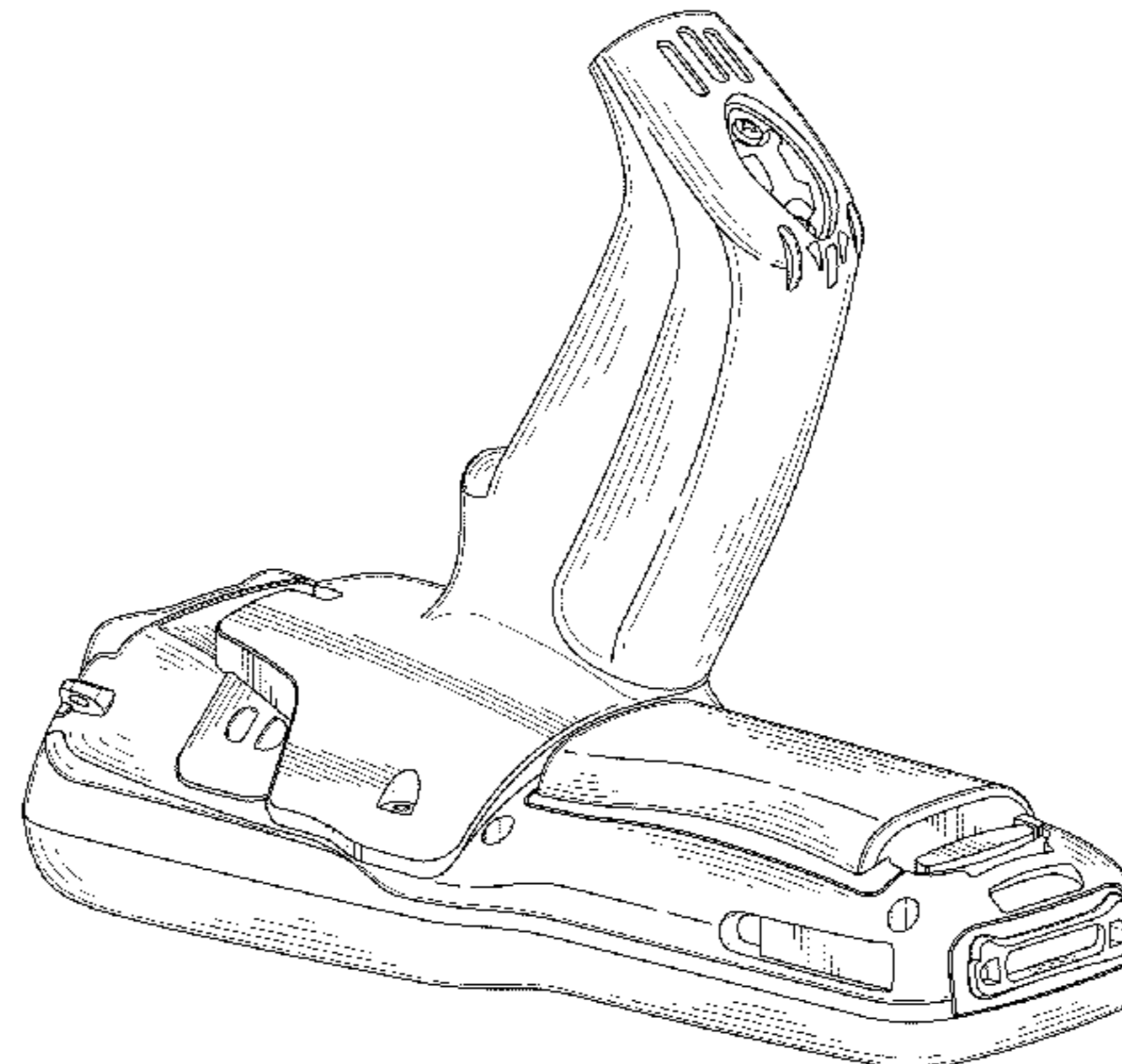
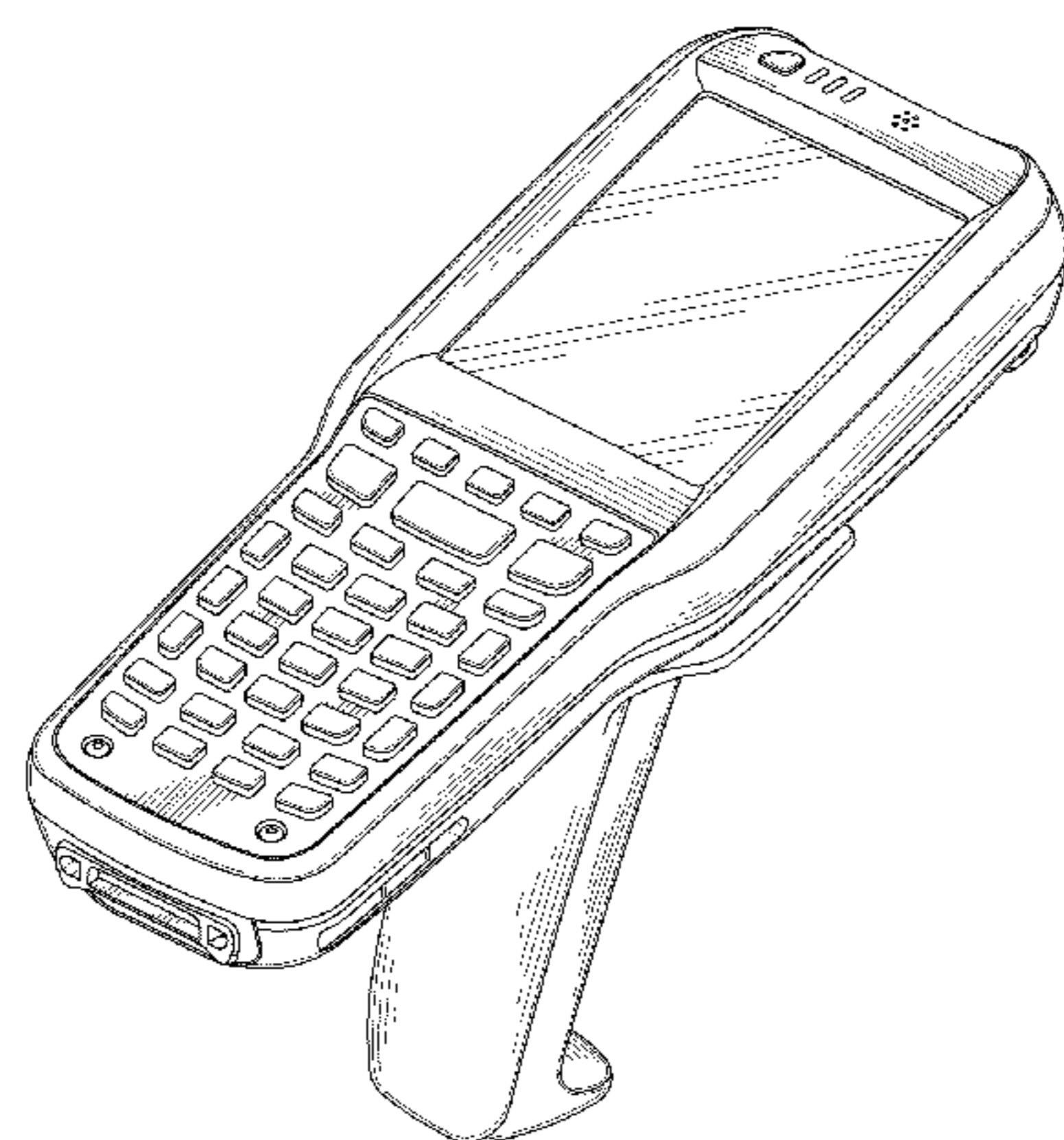
FIG. 15 is a left side view of the portable terminal of FIG. 9;

and,

FIG. 16 is a right side view of the portable terminal of FIG. 9.

The portions shown in broken line are not claimed.

1 Claim, 16 Drawing Sheets



(56)

References Cited

U.S. PATENT DOCUMENTS

- D344,501 S 2/1994 Gong et al.
D355,904 S * 2/1995 Swartz et al. D14/429
D357,240 S * 4/1995 Kitazumi et al. D14/429
5,410,141 A * 4/1995 Koenck et al. 235/472.02
D362,435 S 9/1995 Charych et al.
D363,470 S * 10/1995 Yamamoto D14/347
5,471,042 A * 11/1995 Kirkeby et al. 235/472.02
5,565,671 A * 10/1996 Kirkeby et al. 235/472.01
D376,989 S 12/1996 McCain
D381,975 S 8/1997 Trausch et al.
D383,124 S 9/1997 Lanzaro et al.
D386,152 S 11/1997 Warneke
D390,554 S * 2/1998 Larson et al. D14/137
D391,234 S 2/1998 Chacon et al.
5,736,726 A 4/1998 VanHorn et al.
D396,714 S 8/1998 Nuovo et al.
D398,002 S 9/1998 Chacon et al.
D398,903 S 9/1998 Chacon et al.
5,801,918 A 9/1998 Ahearn et al.
D400,199 S 10/1998 Fitch et al.
5,818,027 A * 10/1998 Paratore 235/472.01
5,831,819 A * 11/1998 Chacon et al. 361/679.56
D406,585 S 3/1999 Vuolteenaho et al.
D414,171 S 9/1999 Swift et al.
D414,172 S 9/1999 Hetfield et al.
D414,470 S 9/1999 Chacon et al.
D414,760 S 10/1999 Hefield et al.
5,969,328 A 10/1999 Kunert
D417,445 S 12/1999 Chacon et al.
D418,500 S 1/2000 Giordano et al.
D420,680 S 2/2000 Curtis
D421,004 S 2/2000 Curtis
D425,057 S 5/2000 Finkbeiner
6,065,679 A * 5/2000 Levie et al. 235/462.47
D427,090 S 6/2000 Washburn et al.
D428,883 S 8/2000 Mizusugi et al.
D429,226 S * 8/2000 Siddoway et al. D14/347
D430,159 S 8/2000 Bhatia et al.
6,109,528 A 8/2000 Kunert et al.
D431,562 S 10/2000 Bhatia et al.
D433,017 S 10/2000 Martinez
D436,104 S 1/2001 Bhatia et al.
6,181,992 B1 1/2001 Gurne et al.
D439,898 S 4/2001 Ober et al.
D446,524 S 8/2001 Bontly et al.
D462,357 S 9/2002 Jenkins
D463,425 S 9/2002 Jenkins
D464,645 S 10/2002 O'Neil
6,470,637 B2 10/2002 Gratz
6,478,226 B2 11/2002 Canini et al.
D467,918 S 12/2002 Fitch et al.
D470,145 S 2/2003 Schlieffers et al.
6,517,003 B2 2/2003 Vassura et al.
D473,872 S 4/2003 Ausems et al.
D476,300 S 6/2003 Pottie et al.
D476,330 S 6/2003 Ahearn et al.
6,633,483 B2 10/2003 Akagi et al.
D486,460 S 2/2004 Bey et al.
6,714,969 B1 * 3/2004 Klein et al. 709/219
D492,681 S 7/2004 Ahearn et al.
D493,457 S 7/2004 Hsu
D494,593 S 8/2004 Wulff et al.
D496,366 S 9/2004 Croley et al.
D497,160 S 10/2004 Nagao et al.
6,822,853 B2 * 11/2004 Wulff et al. 361/679.08
6,832,729 B1 12/2004 Perry et al.
D502,162 S 2/2005 Kim et al.
D505,422 S 5/2005 Kakizaki et al.
D505,423 S 5/2005 Ahearn et al.
6,920,343 B2 7/2005 Uemura et al.
D512,427 S * 12/2005 Choi et al. D14/428
D518,043 S 3/2006 Barness et al.
7,050,009 B2 5/2006 Chirila
D528,451 S 9/2006 Cunningham et al.
D529,943 S 10/2006 Chiu et al.
7,147,162 B2 12/2006 Fitch et al.
D538,291 S 3/2007 Croley et al.
D538,292 S 3/2007 Croley et al.
D539,294 S 3/2007 Croley et al.
7,195,168 B2 3/2007 Wulff
7,195,169 B2 3/2007 Bhatia et al.
D557,696 S 12/2007 Conti et al.
7,307,645 B2 12/2007 Forsythe
D558,776 S 1/2008 Croley et al.
D560,223 S 1/2008 Morris et al.
D565,055 S 3/2008 Hanks
7,344,323 B2 3/2008 Fries et al.
D570,843 S 6/2008 Mazzone et al.
D571,808 S 6/2008 Dorr et al.
7,401,162 B2 7/2008 Baker et al.
D574,830 S 8/2008 Tasselli et al.
D575,287 S 8/2008 Miyashita
7,416,129 B2 8/2008 Bhatia et al.
7,435,508 B2 * 10/2008 Lee et al. 429/100
7,446,753 B2 11/2008 Fitch et al.
7,562,824 B2 * 7/2009 Bhatia et al. 235/462.01
D599,798 S 9/2009 Fitch et al.
D604,303 S * 11/2009 Boyd D14/453
D611,943 S 3/2010 Boyd
D612,854 S 3/2010 Arnold et al.
D613,289 S 4/2010 Alegiani et al.
D613,290 S 4/2010 Arnold et al.
D614,626 S 4/2010 Dai et al.
D614,627 S 4/2010 Lerner et al.
7,743,995 B2 * 6/2010 Wulff 235/462.43
D619,138 S 7/2010 Ingold et al.
D622,726 S 8/2010 Alegiani et al.
D629,001 S 12/2010 Palmer et al.
7,876,227 B2 * 1/2011 Bellows 340/572.7
D633,502 S 3/2011 Alegiani
D633,915 S 3/2011 Alegiani et al.
D634,744 S 3/2011 Palmer et al.
7,903,033 B2 3/2011 Bellows
D638,422 S 5/2011 Reed et al.
7,992,787 B2 8/2011 Mangaroo et al.
8,025,236 B2 9/2011 Mangaroo et al.
8,048,552 B1 11/2011 Mao
8,071,878 B2 12/2011 Mangaroo et al.
8,079,525 B1 12/2011 Zolotov
D657,398 S 4/2012 Calderwood et al.
D658,174 S 4/2012 Tasselli et al.
8,169,786 B2 5/2012 Mangaroo
D661,306 S 6/2012 Cullen et al.
D662,099 S 6/2012 Cullen et al.
D664,145 S 7/2012 Cullen et al.
D673,955 S * 1/2013 Mangaroo et al. D14/429
D676,850 S * 2/2013 Minafo et al. D14/429
D677,663 S * 3/2013 Minafo et al. D14/429
2002/0023961 A1 2/2002 Itou et al.
2003/0060953 A1 3/2003 Chen
2003/0089775 A1 5/2003 Yeakley et al.
2003/0121981 A1 * 7/2003 Slutsky et al. 235/462.45
2005/0001037 A1 * 1/2005 Wulff 235/462.43
2005/0017078 A1 * 1/2005 Bhatia et al. 235/462.45
2005/0023358 A1 2/2005 Byun et al.
2005/0068201 A1 * 3/2005 Wulff et al. 341/20
2006/0054704 A1 * 3/2006 Fitch et al. 235/472.01
2007/0108291 A1 * 5/2007 Bhatia et al. 235/472.01
2007/0158428 A1 7/2007 Havens et al.
2007/0158429 A1 * 7/2007 Bhatia et al. 235/462.45
2008/0006699 A1 * 1/2008 Hattersley et al. 235/472.01
2008/0297479 A1 * 12/2008 Yeh 345/169
2009/0093229 A1 * 4/2009 Grunow et al. 455/404.2
2009/0168337 A1 * 7/2009 Conti et al. 361/679.56
2009/0224039 A1 * 9/2009 Hause et al. 235/385

(56)

References Cited

OTHER PUBLICATIONS

U.S. PATENT DOCUMENTS

2009/0270136 A1* 10/2009 Su et al. 455/572
2009/0295567 A1* 12/2009 Bellows 340/539.11

FOREIGN PATENT DOCUMENTS

EM 001582024 A1 7/2009
EP 1128314 A1 8/2001

Photographs of Datalogic Kyman Scanner from Datalogic Mobile's web site, product first released circa 2007, 6 pages.

Notice of Co-Pending Application (U.S. Appl. No. 29/419,270) dated May 8, 2012.

Datalogic Skorpio™ and Skorpio-GUN™—User's Manual, Dec. 2009, 117 pages.

* cited by examiner

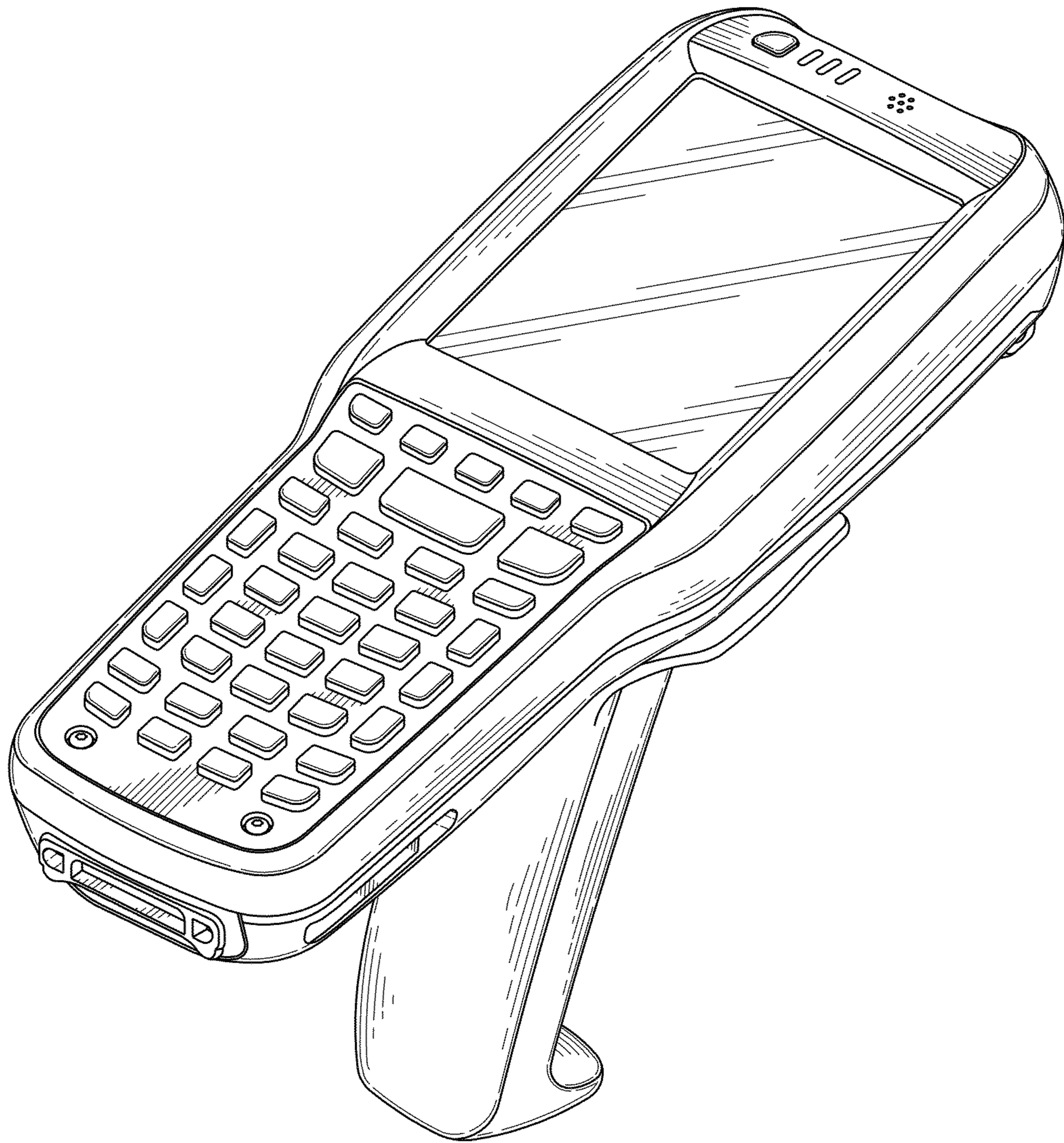


FIG. 1

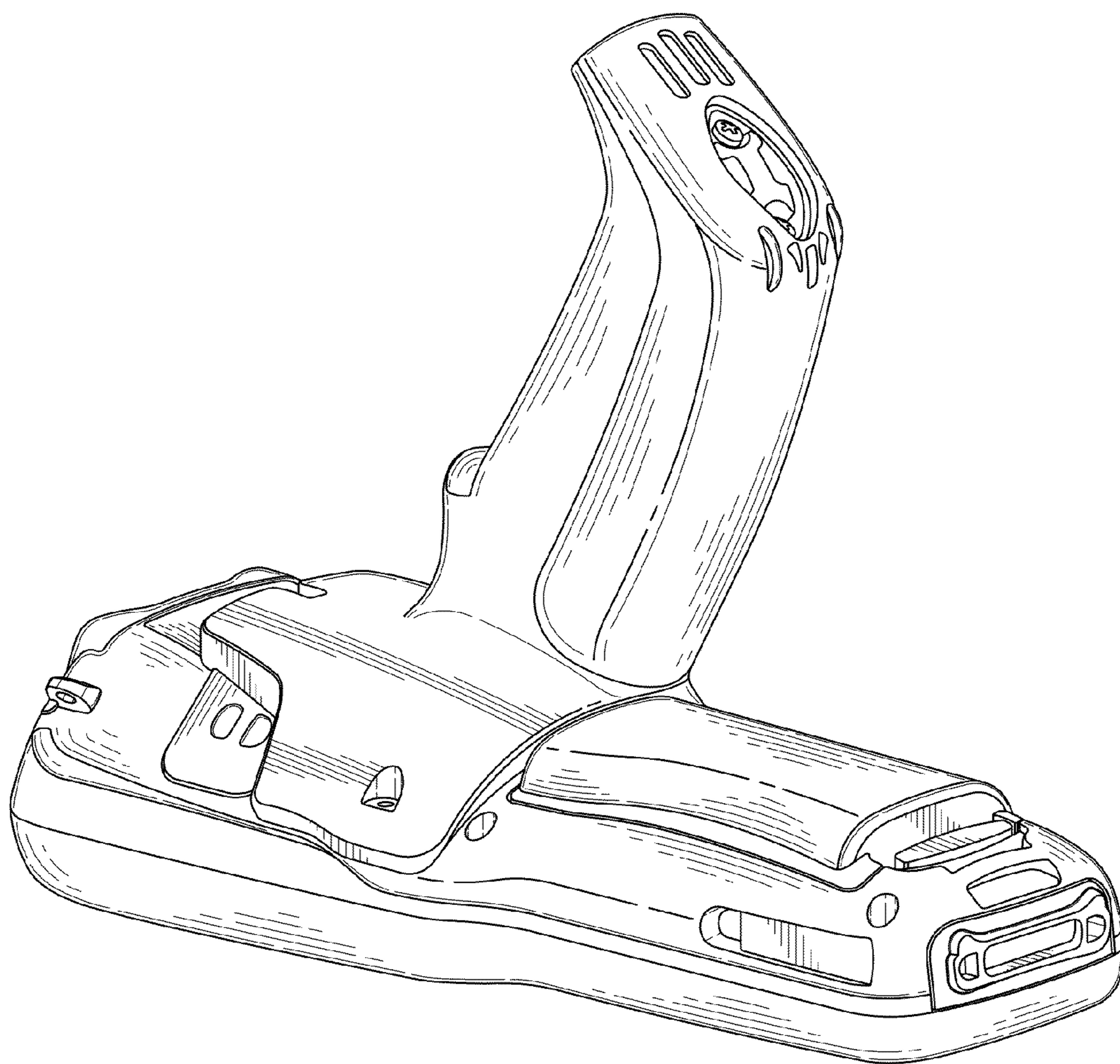


FIG. 2

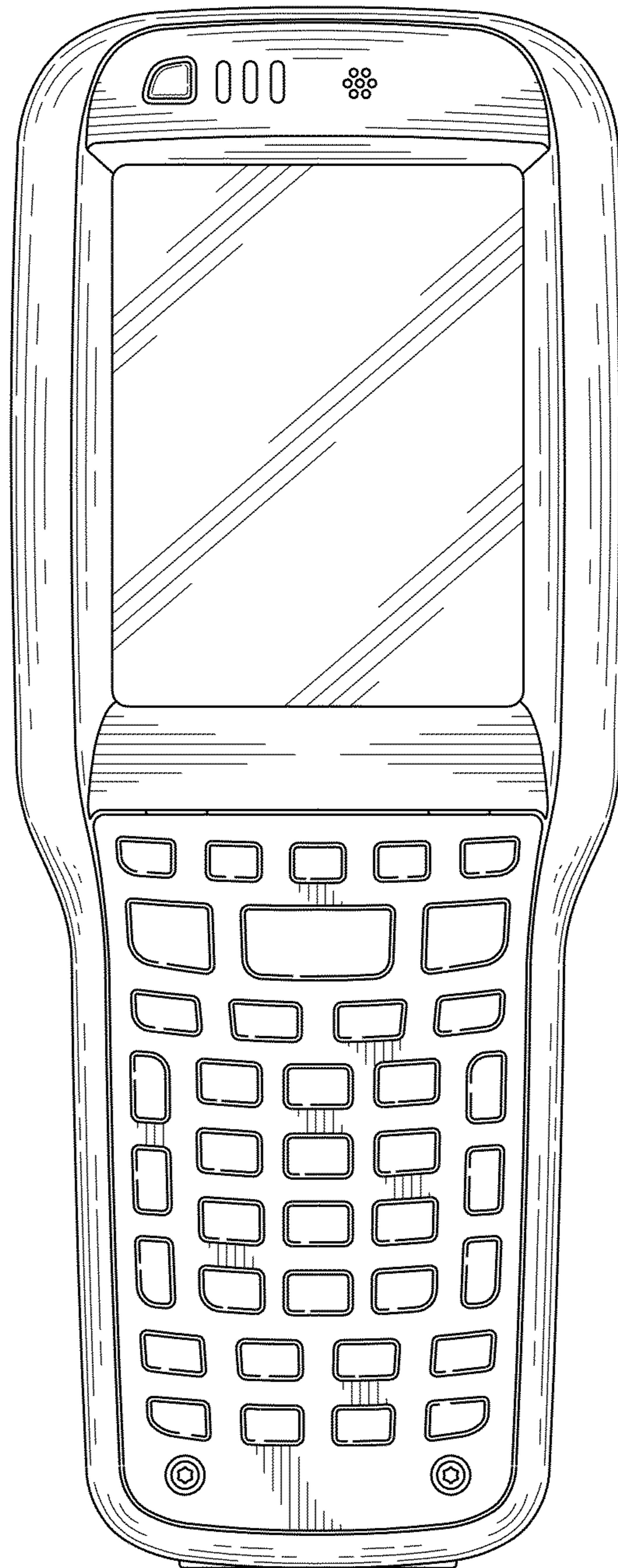


FIG. 3

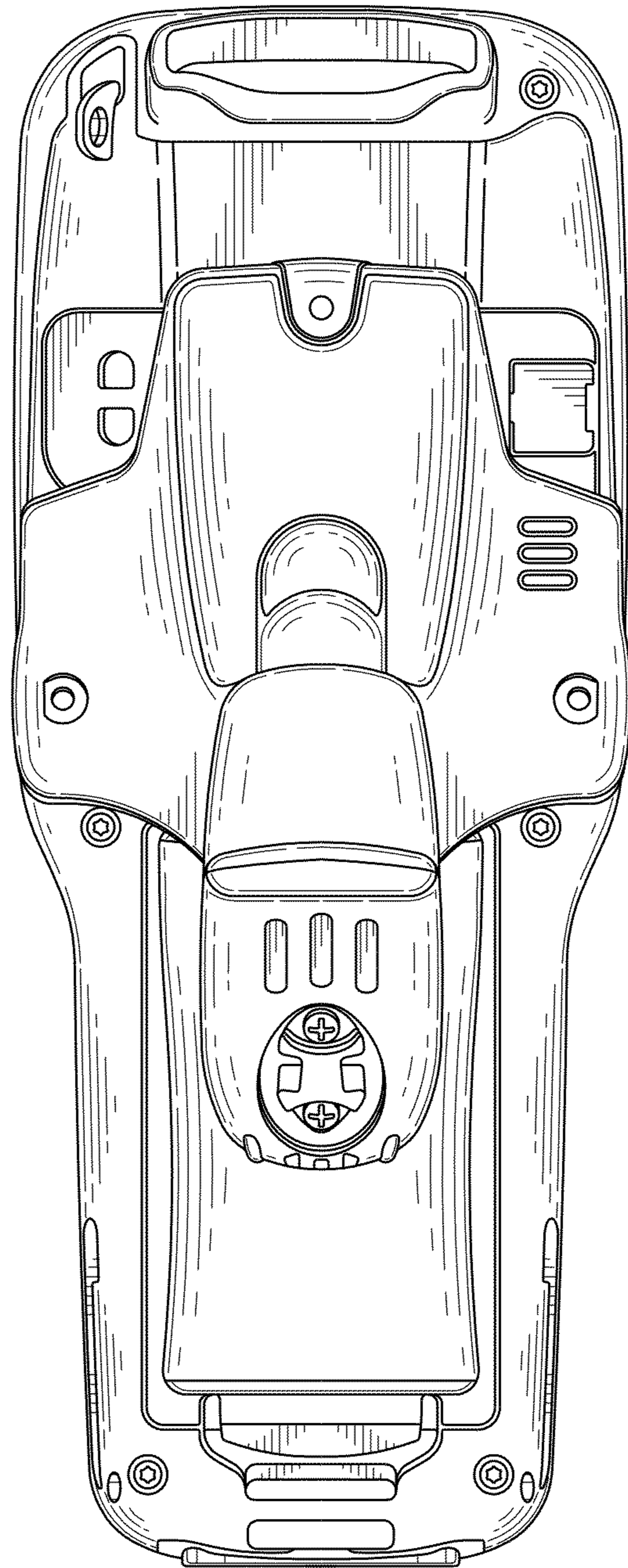


FIG. 4

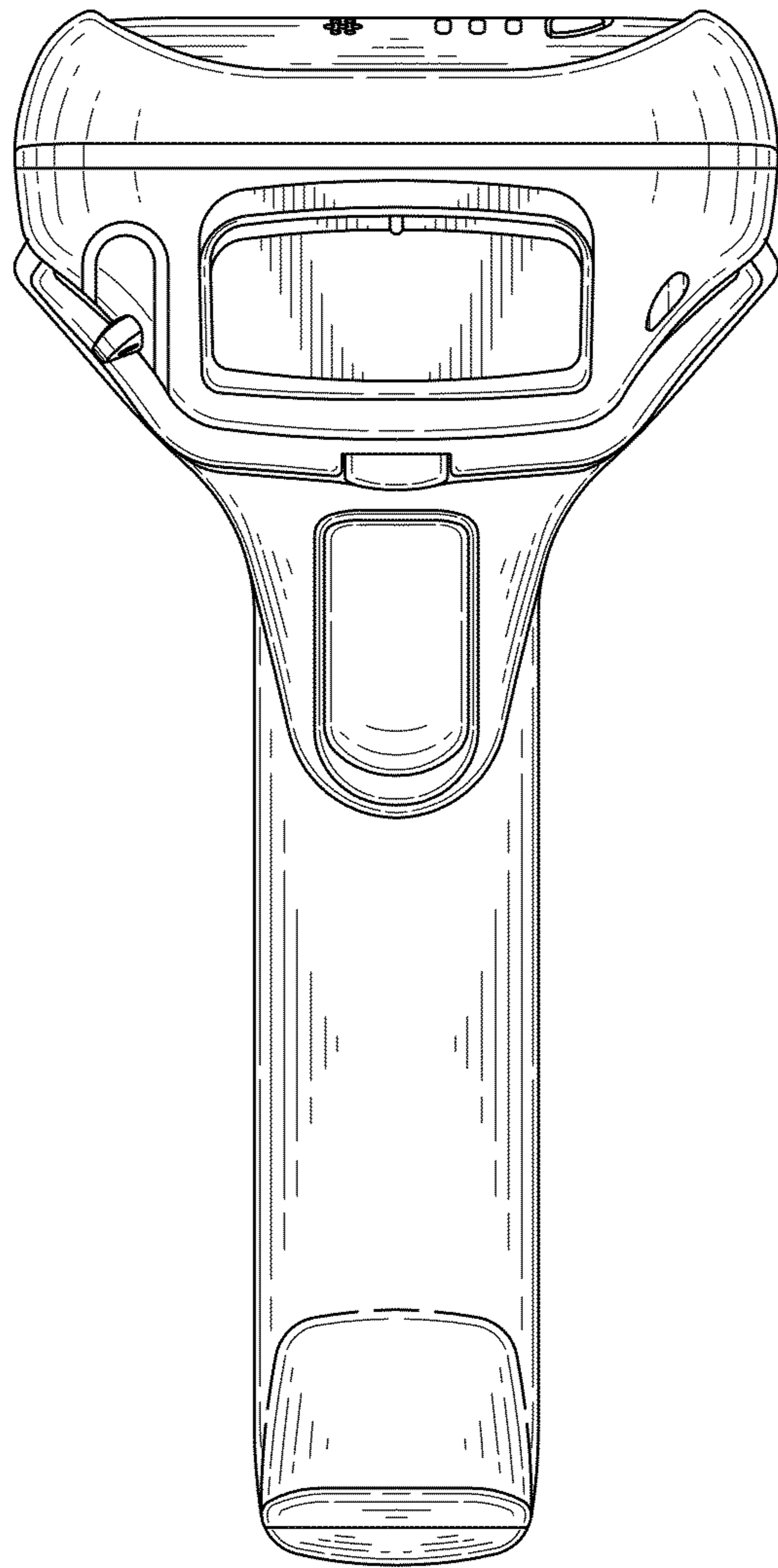


FIG. 5

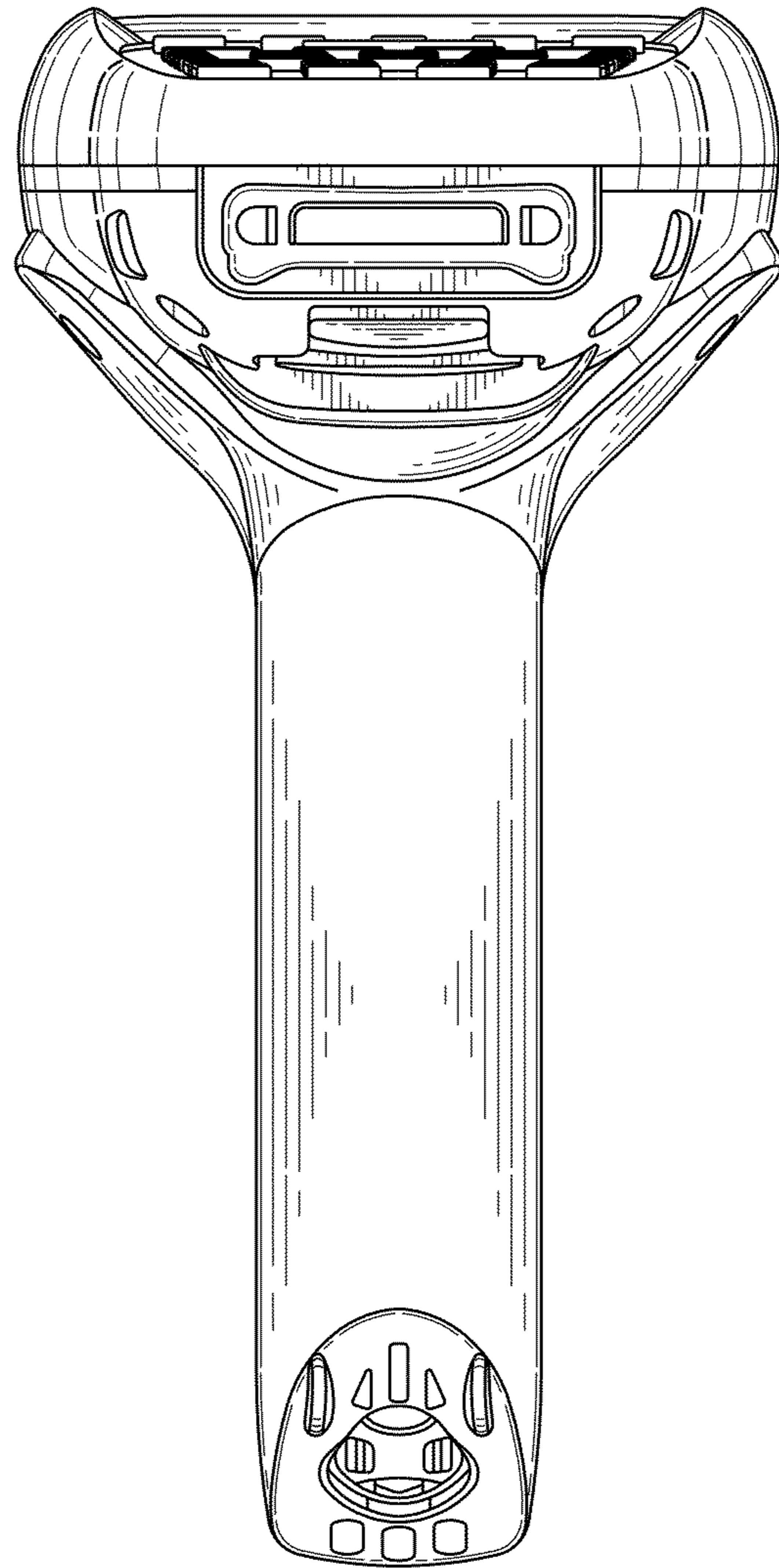


FIG. 6

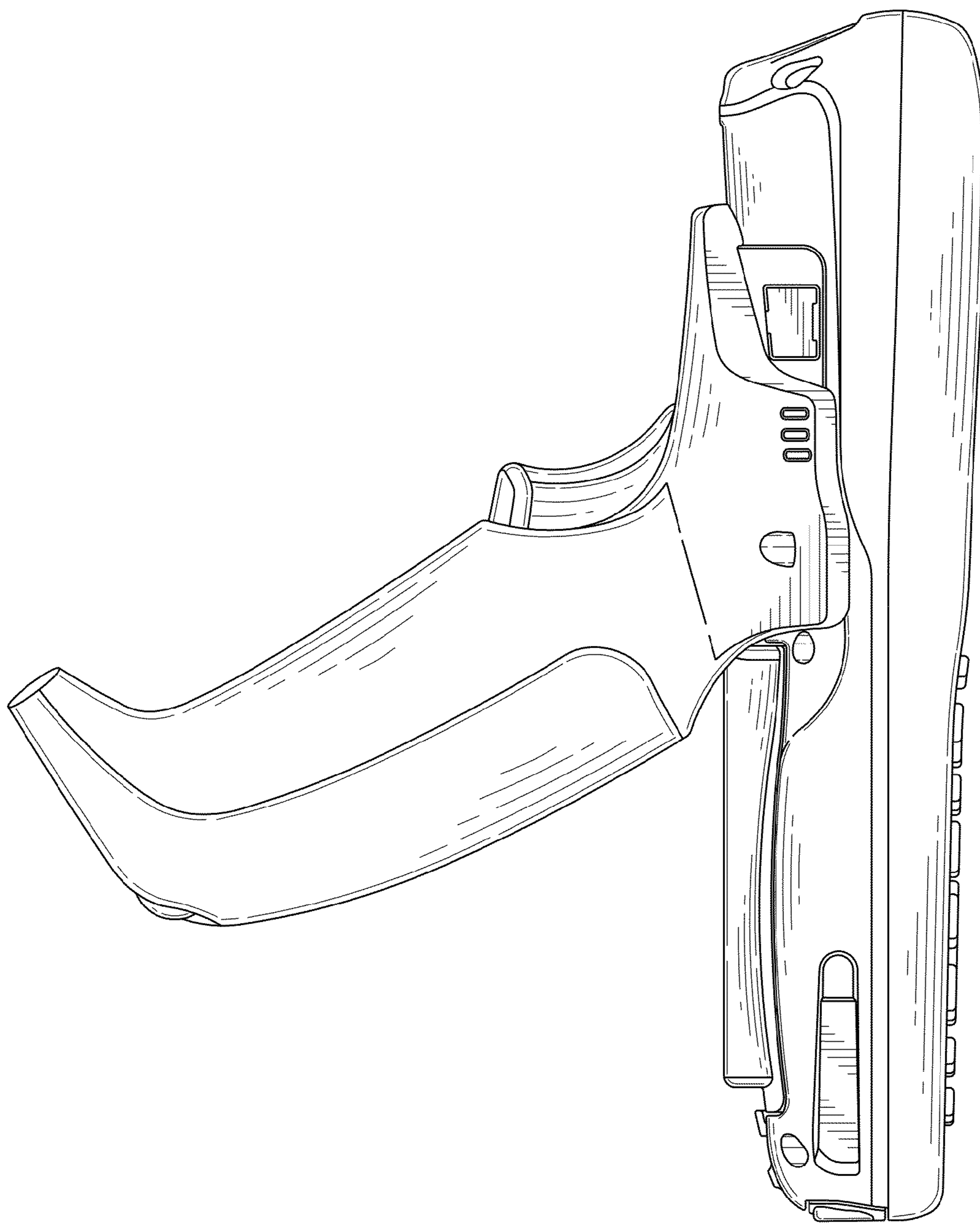


FIG. 7

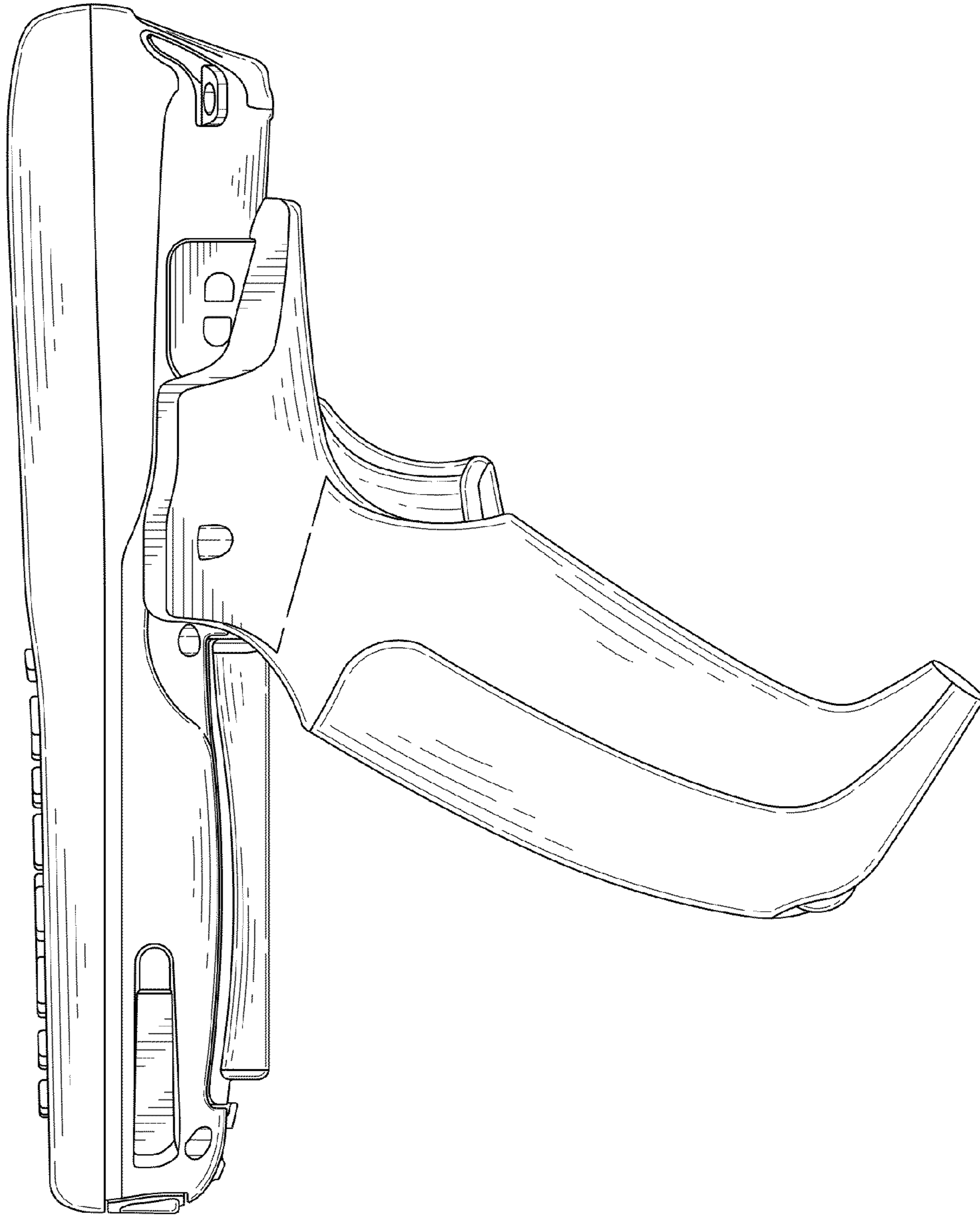


FIG. 8

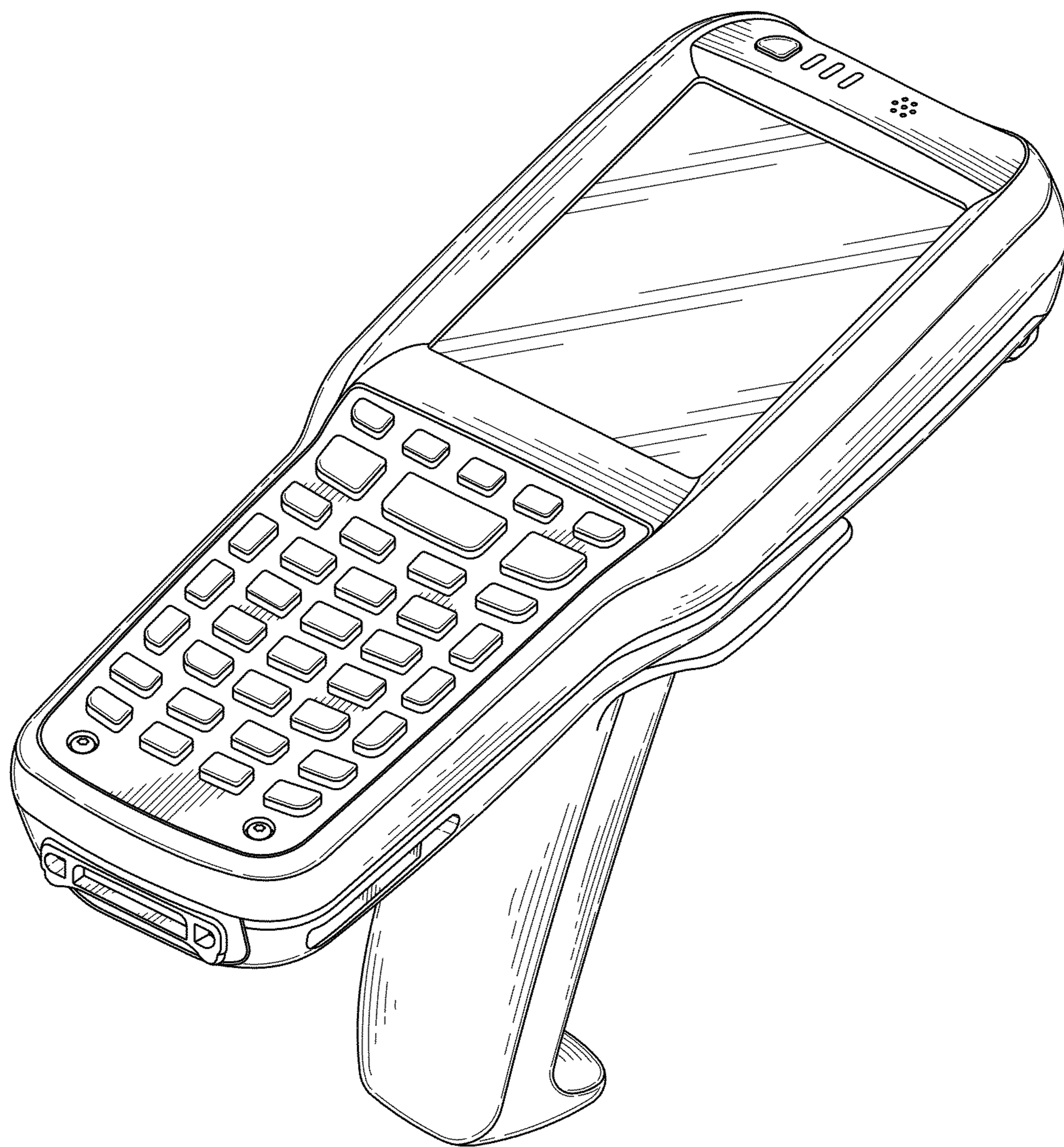


FIG. 9

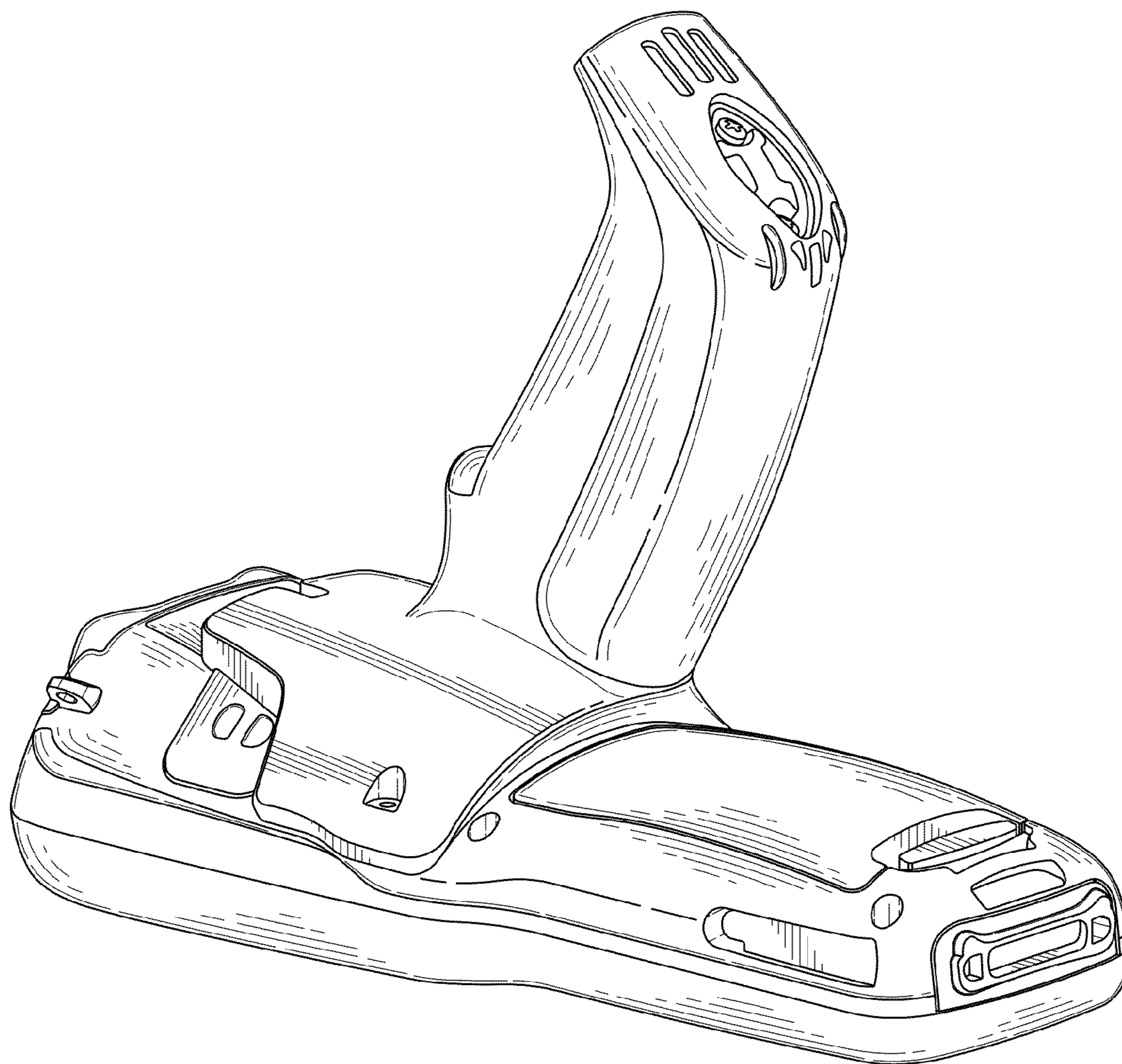


FIG. 10

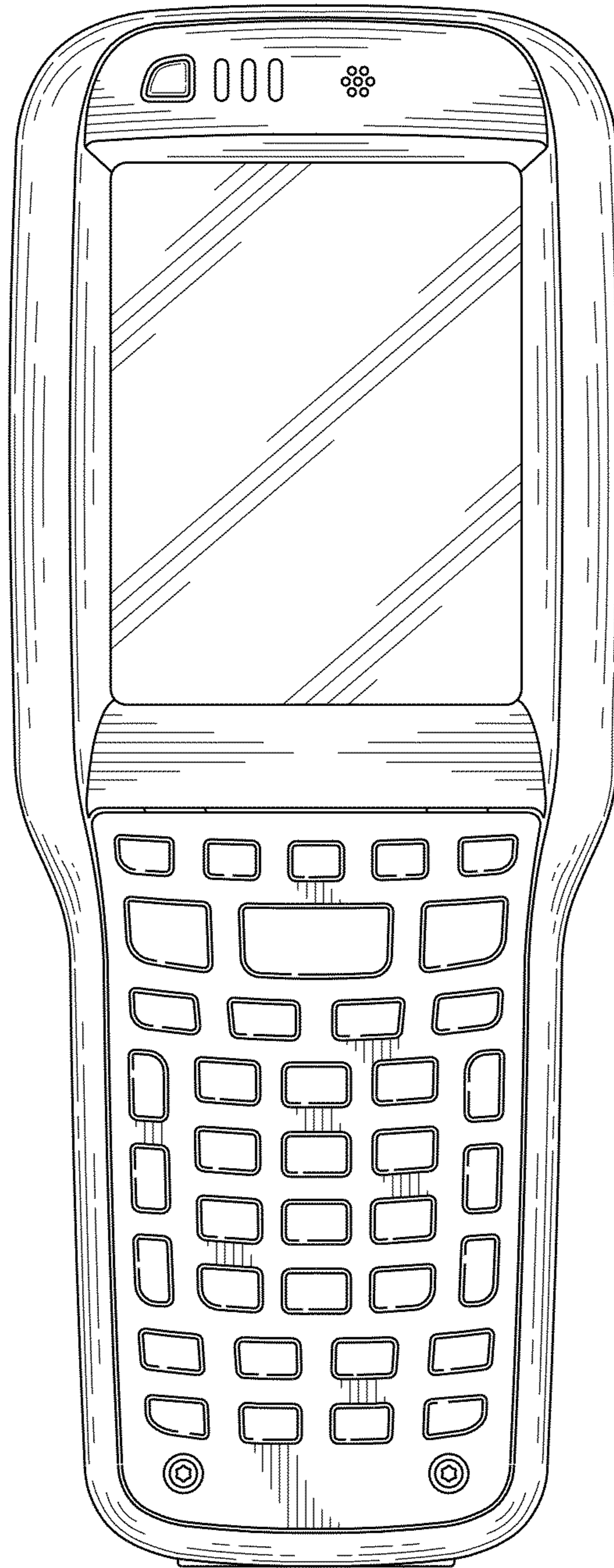


FIG. 11

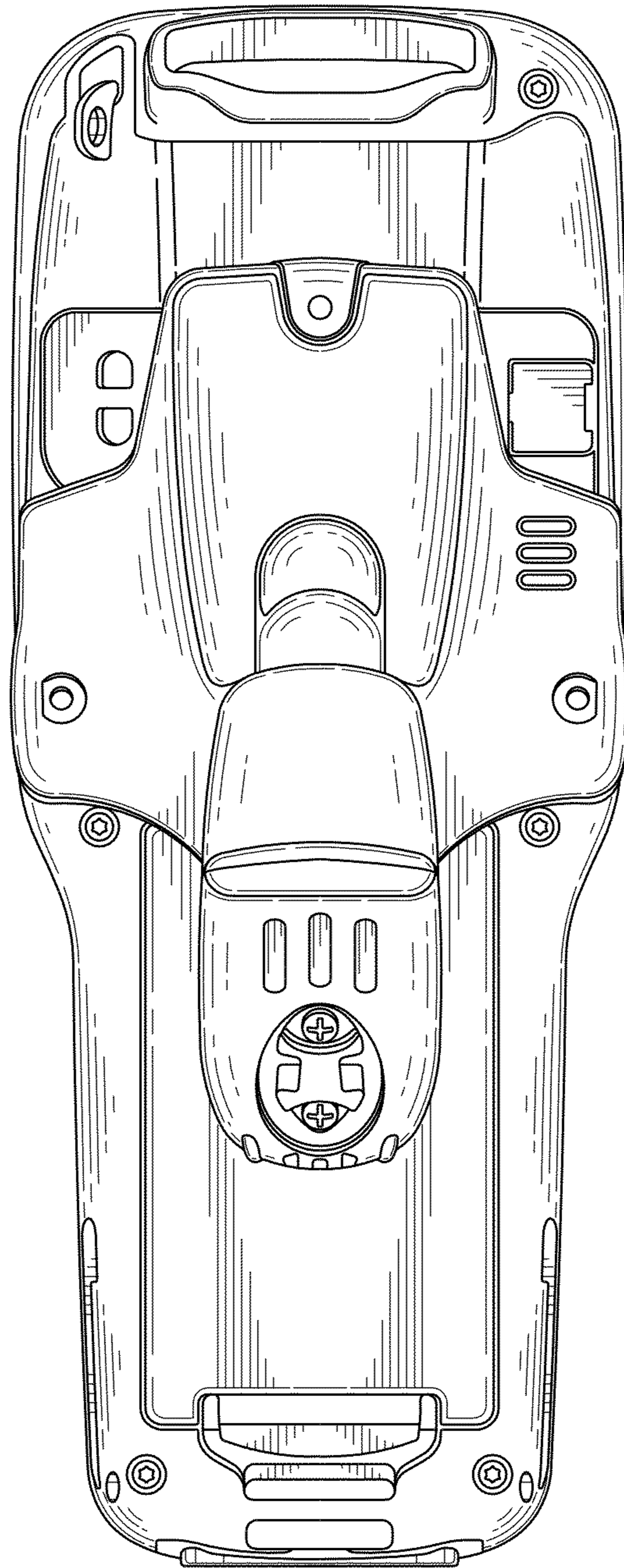


FIG. 12

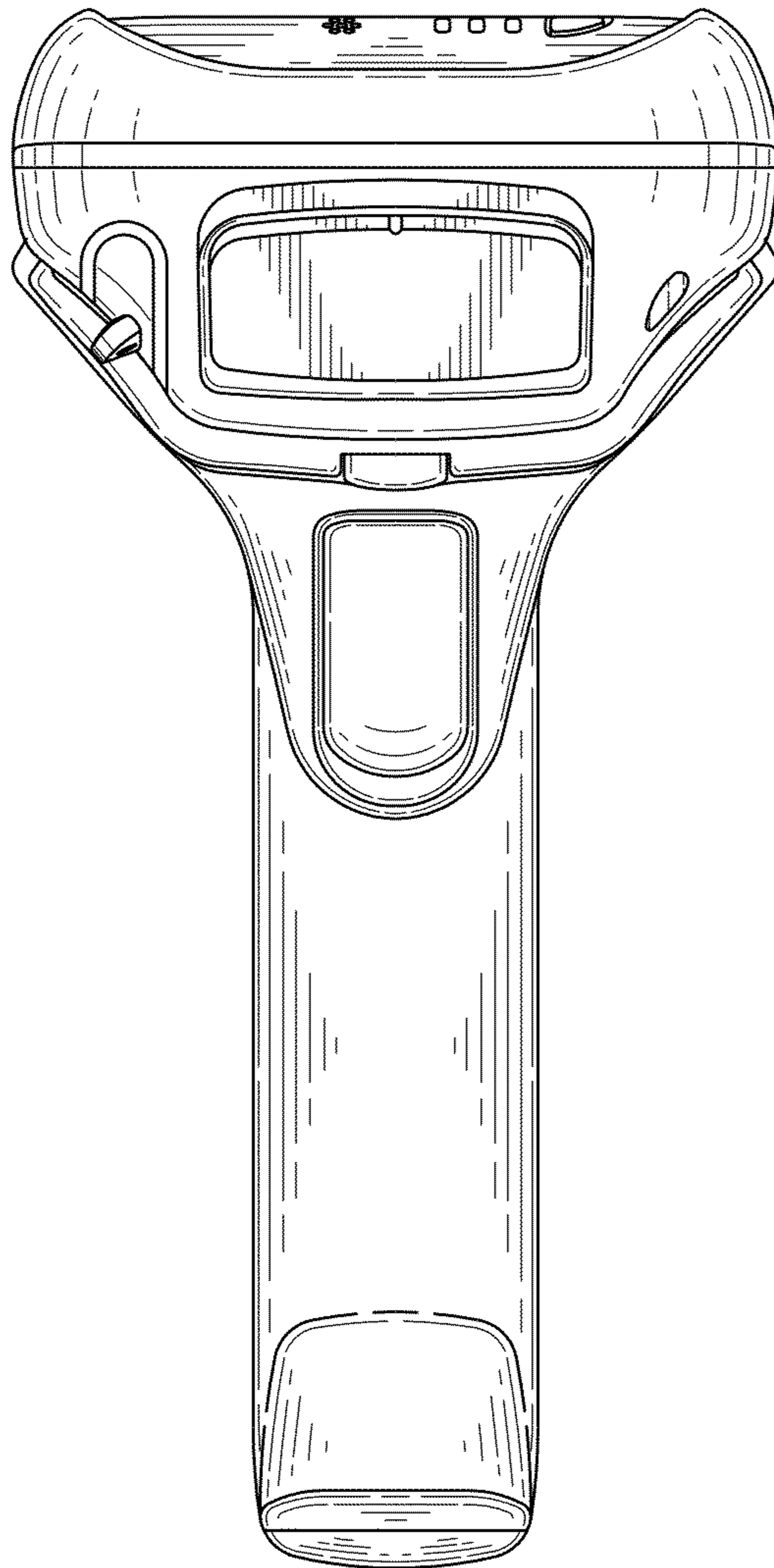


FIG. 13

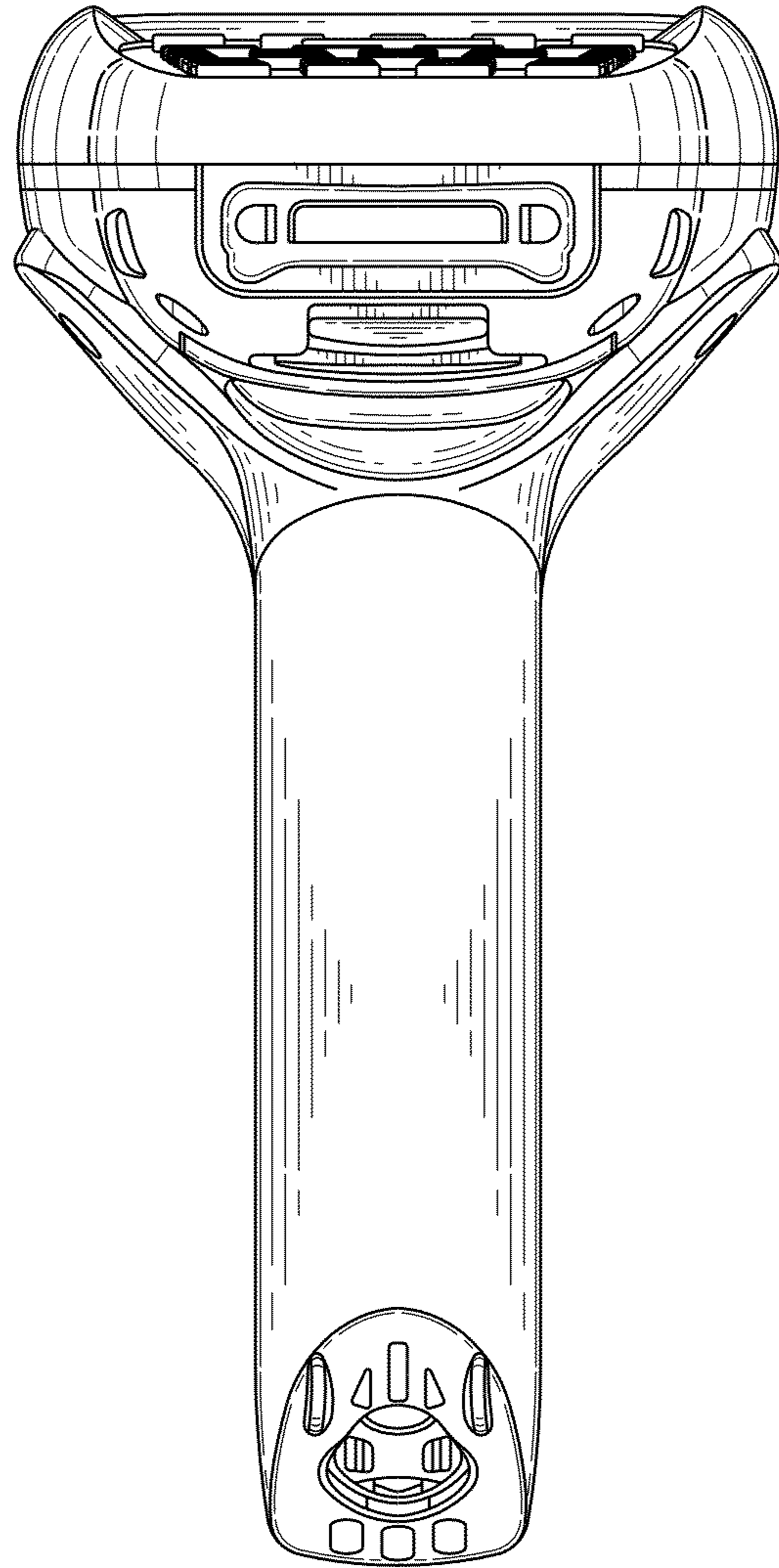


FIG. 14

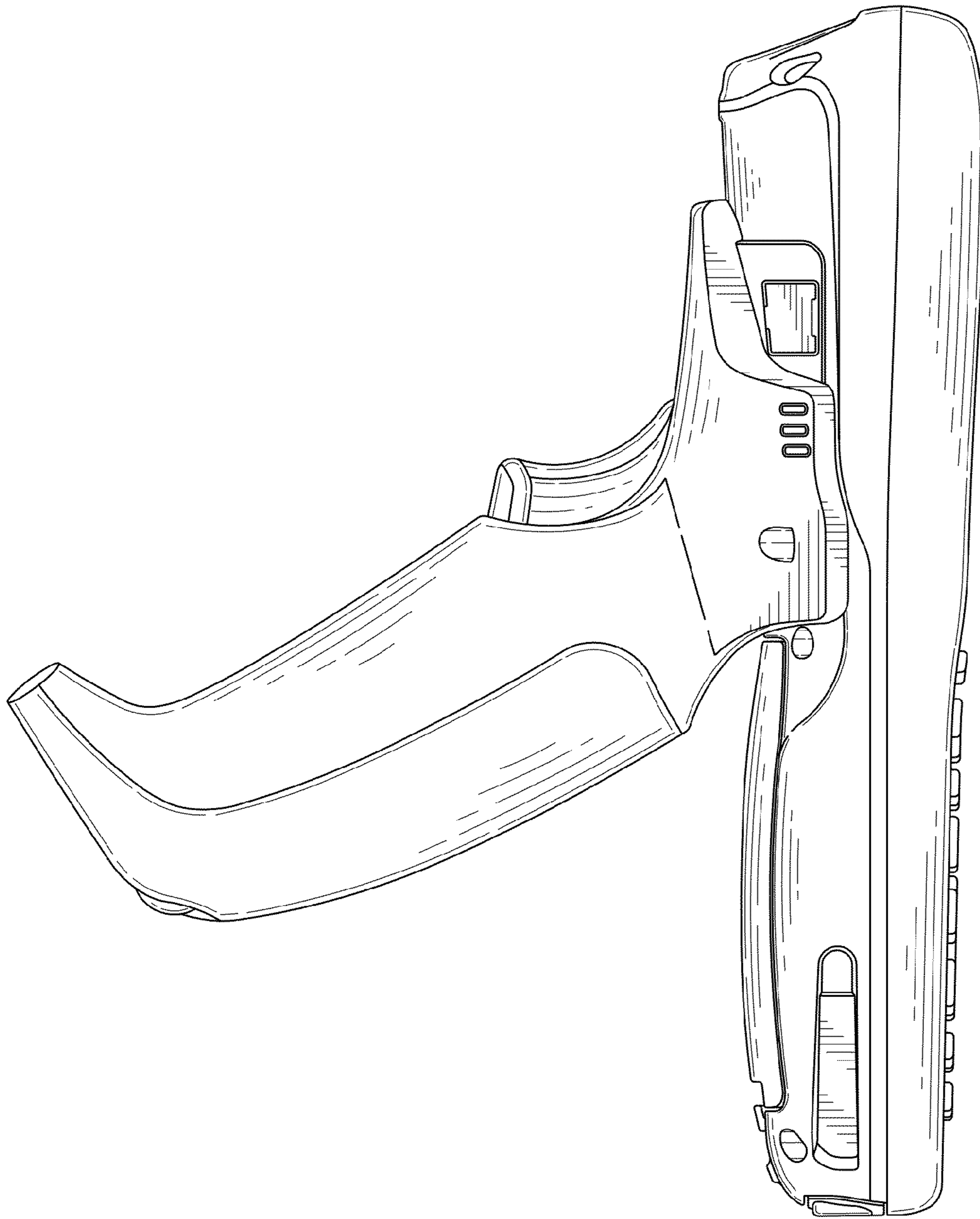


FIG. 15

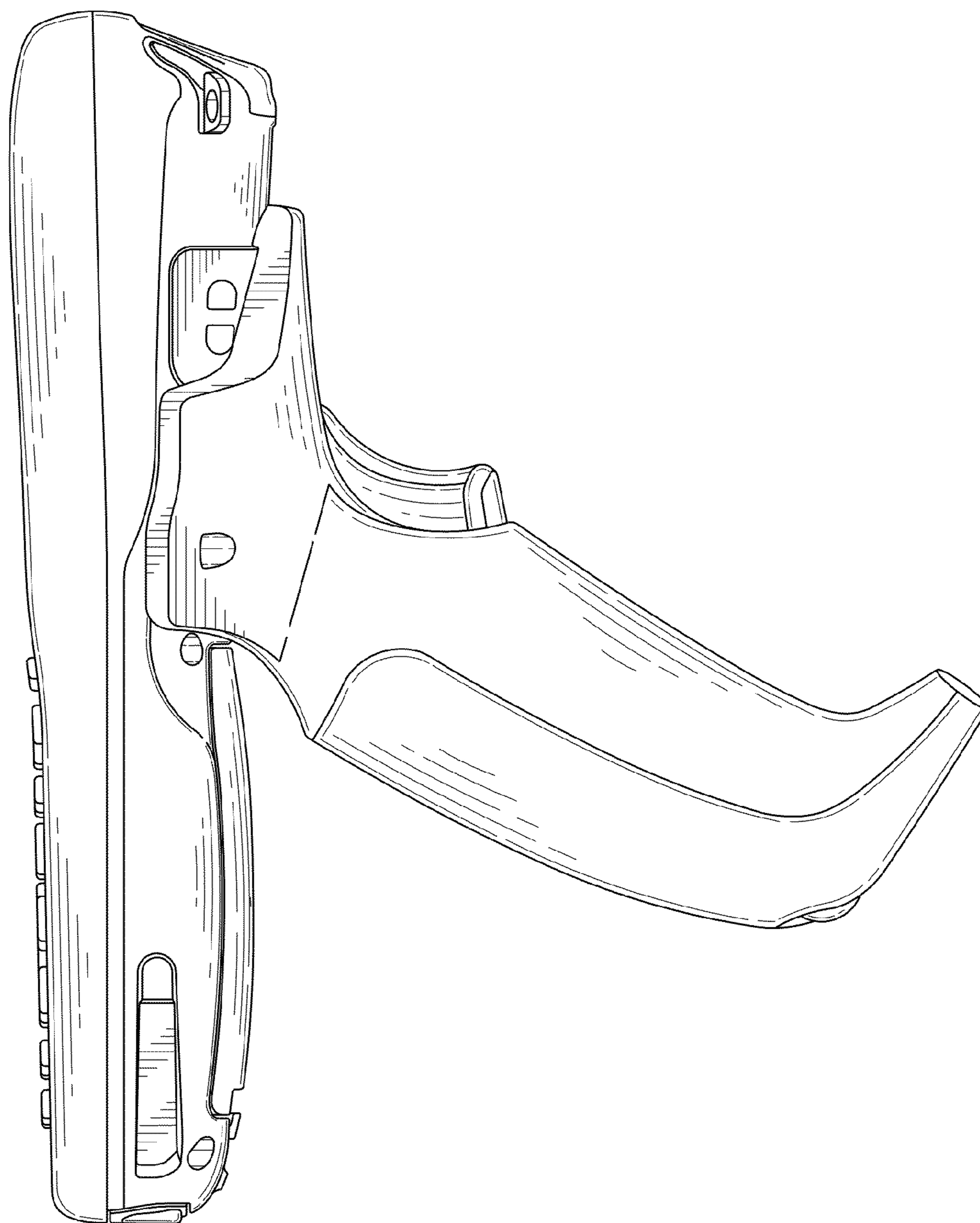


FIG. 16