



US00D697064S

(12) **United States Design Patent**
Chen

(10) **Patent No.:** **US D697,064 S**
(45) **Date of Patent:** **** Jan. 7, 2014**

(54) **COMPUTER**

(71) Applicant: **Acer Incorporated**, New Taipei (TW)

(72) Inventor: **Chih-Hao Chen**, New Taipei (TW)

(73) Assignee: **Acer Incorporated**, New Taipei (TW)

(**) Term: **14 Years**

(21) Appl. No.: **29/437,979**

(22) Filed: **Nov. 22, 2012**

(30) **Foreign Application Priority Data**

Aug. 3, 2012 (TW) 101304485

(51) **LOC (10) Cl.** **14-02**

(52) **U.S. Cl.**
USPC **D14/336**

(58) **Field of Classification Search**
USPC D14/371–375, 125–129, 336, 337, 341;
341/12; 345/104, 156, 168, 173;
348/180, 184, 325, 739; 349/1, 2, 11,
349/62; 361/679.04, 679.05–679.09,
361/679.21; D6/300, 308

See application file for complete search history.

(56) **References Cited**

U.S. PATENT DOCUMENTS

D357,912 S *	5/1995	Martin	D14/130
D514,104 S *	1/2006	Kawamoto et al.	D14/374
D619,134 S *	7/2010	Tsai et al.	D14/371
D634,320 S *	3/2011	Bliven et al.	D14/371
D640,252 S *	6/2011	Kuroda et al.	D14/307

* cited by examiner

Primary Examiner — Freda S Nunn

(74) *Attorney, Agent, or Firm* — Jianq Chyun IP Office

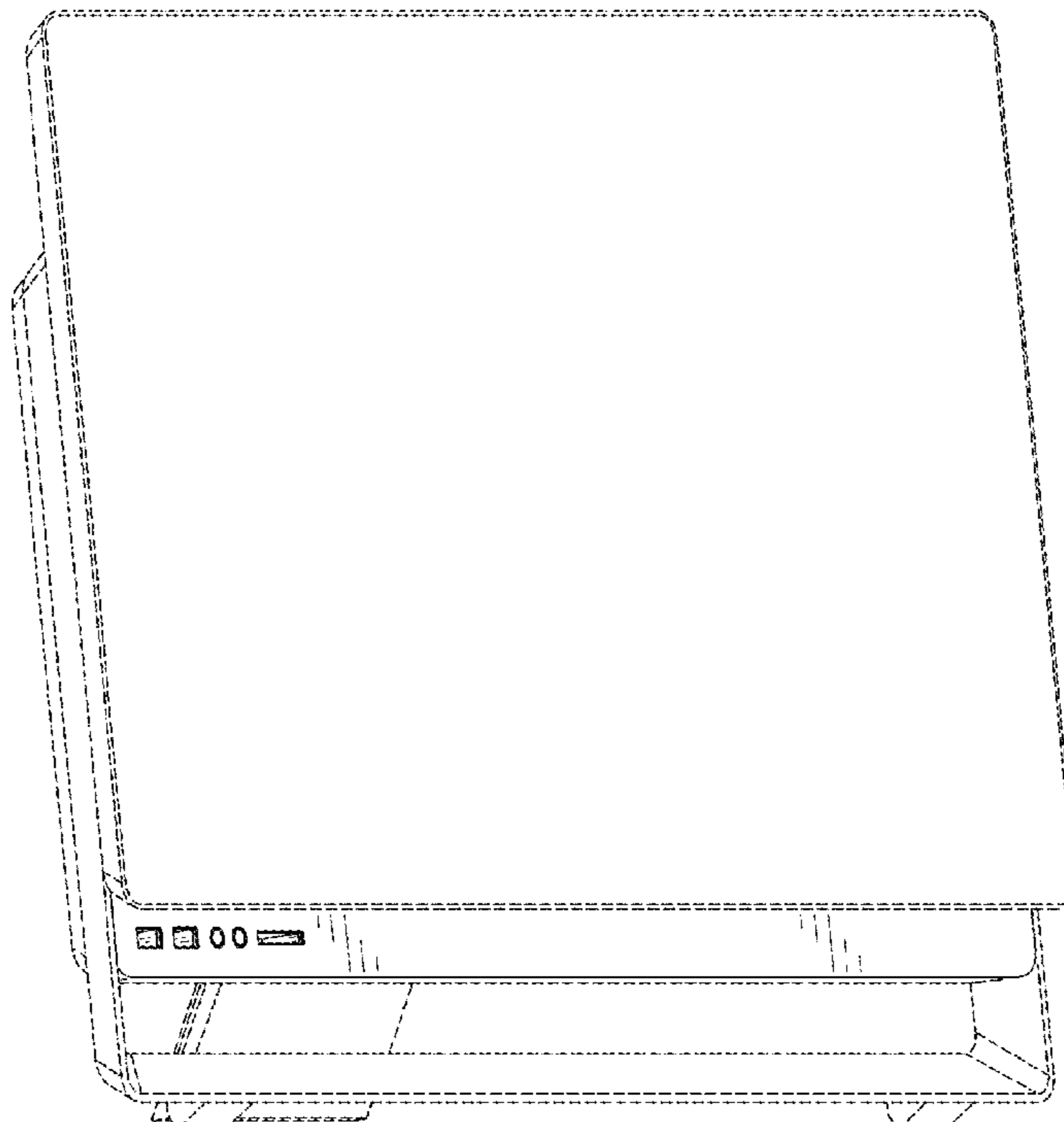
(57) **CLAIM**

The ornamental design for a computer, as shown and described.

DESCRIPTION

FIG. 1 is a front view of a computer showing my new design; FIG. 2 is a rear view thereof; FIG. 3 is a left side view thereof; FIG. 4 is a right side view thereof; FIG. 5 is a top view thereof; FIG. 6 is a bottom view thereof; FIG. 7 is a perspective view thereof showing the stand lifted from the main body; FIG. 8 is another perspective view thereof showing the stand lifted from the main body; and, FIG. 9 is a right side view thereof showing the stand lifted from the main body. The broken line portions of the computer in all views represent unclaimed portions of the claimed design and form no part thereof.

1 Claim, 7 Drawing Sheets



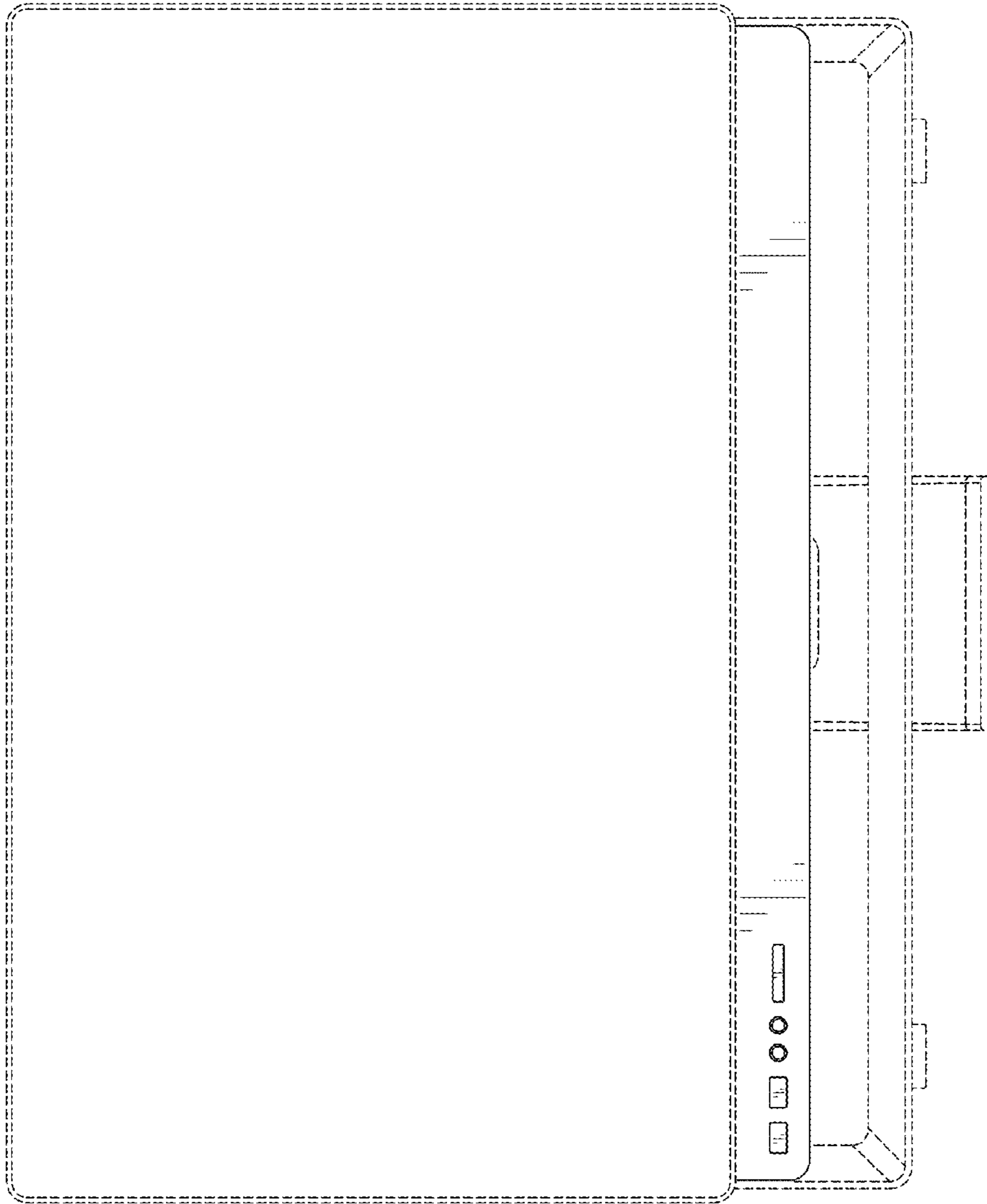


FIG. 1

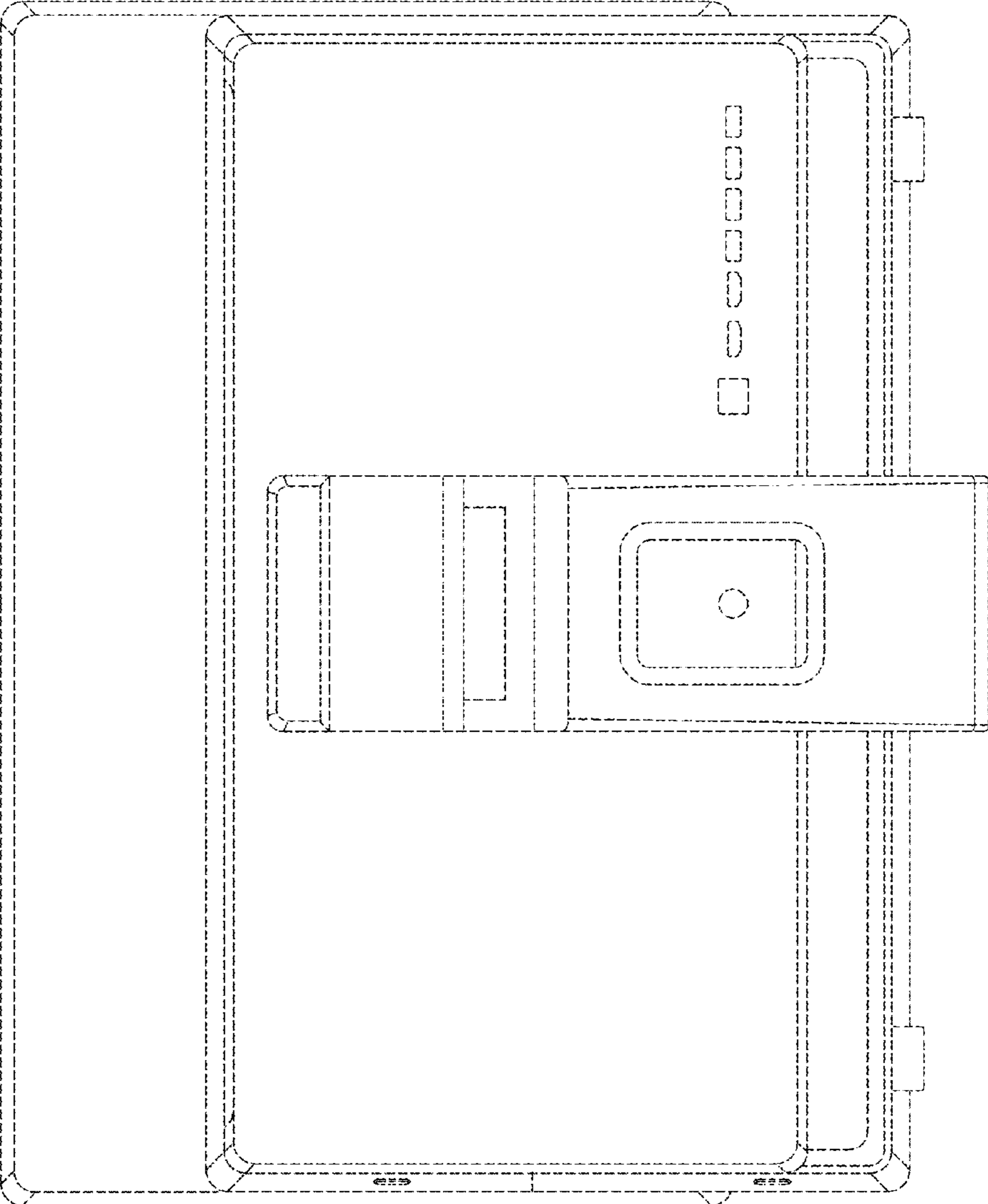


FIG. 2

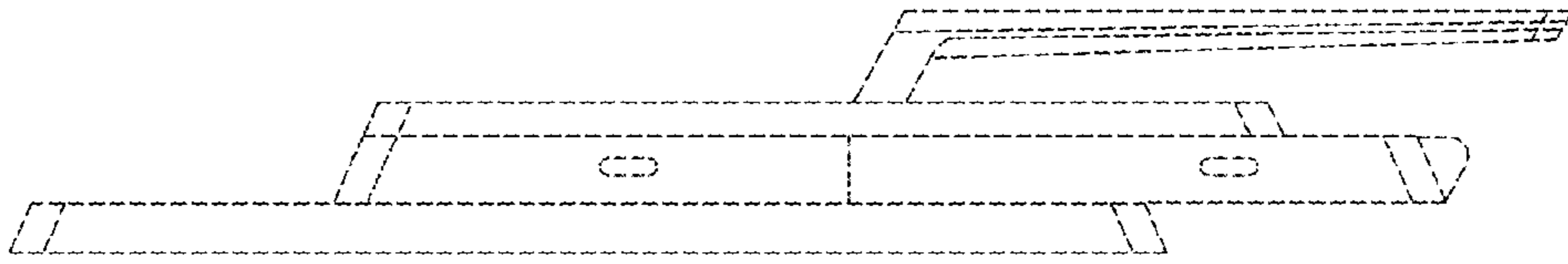


FIG. 4

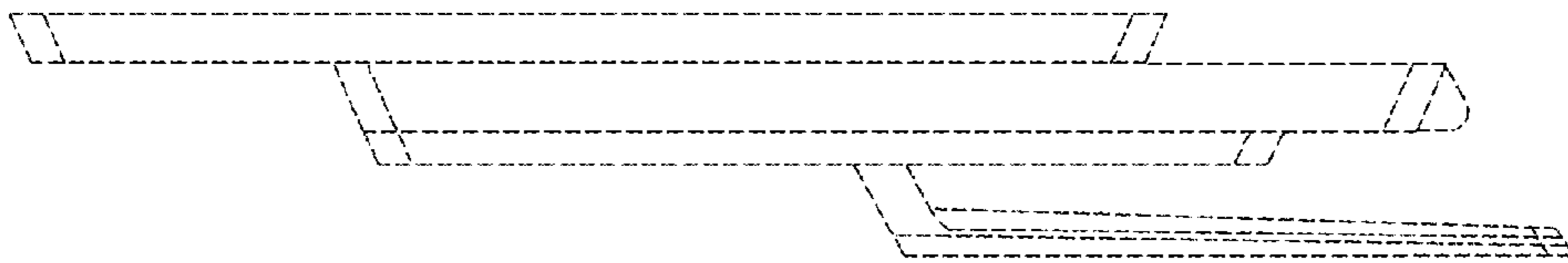


FIG. 3

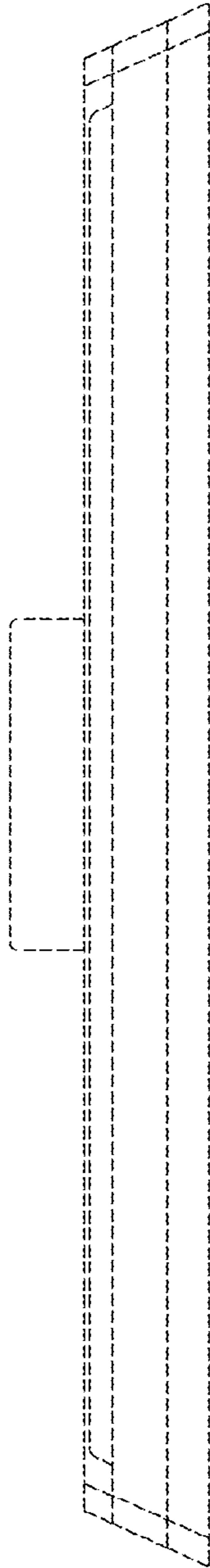


FIG. 5

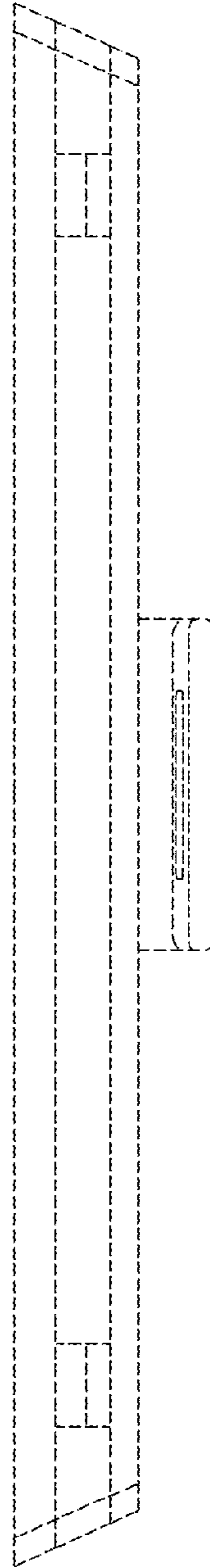


FIG. 6

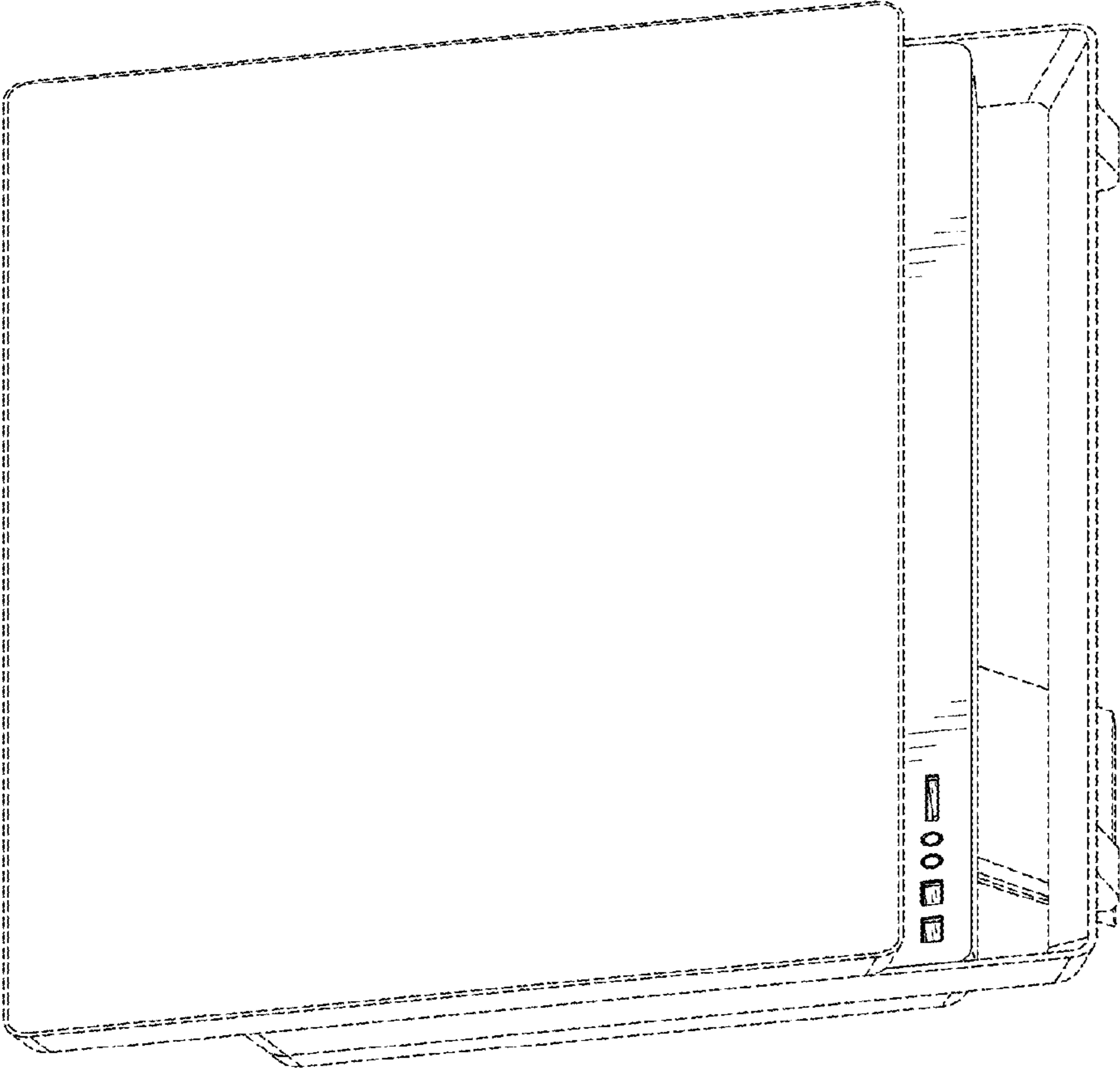


FIG. 7

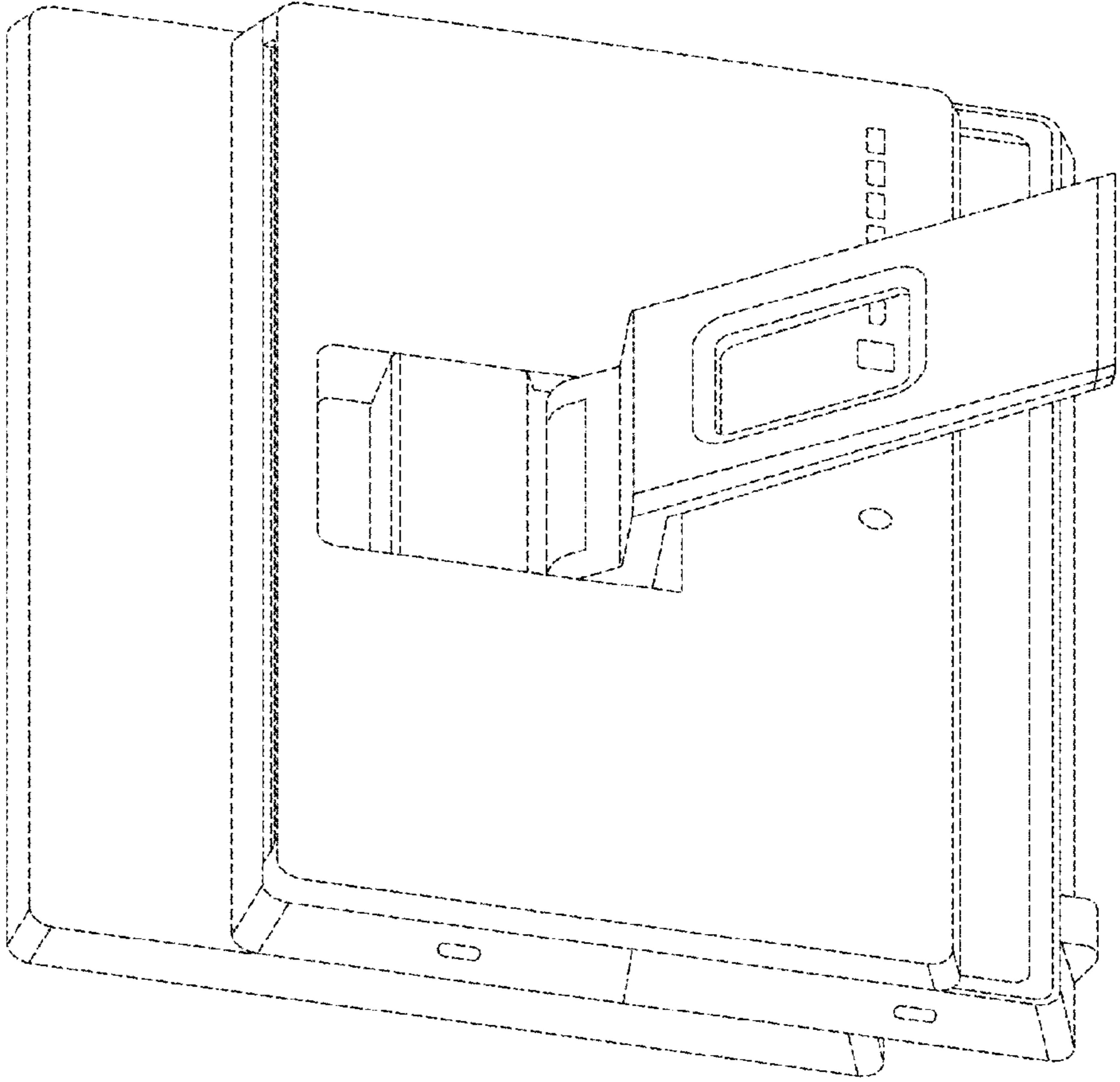


FIG. 8

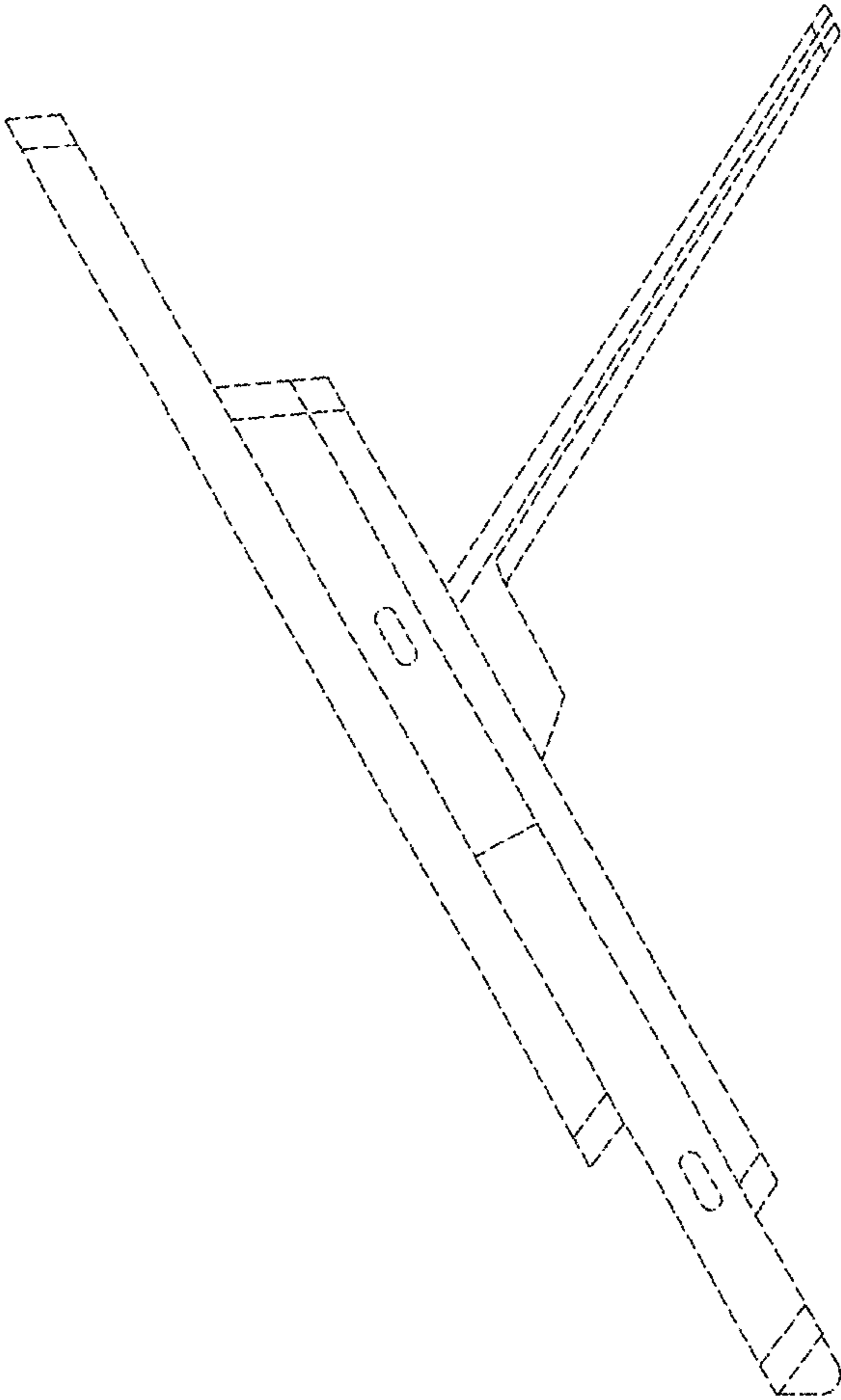


FIG. 9