



US00D697058S

(12) **United States Design Patent**  
**Thompson et al.**

(10) **Patent No.:** **US D697,058 S**  
(45) **Date of Patent:** **\*\* Jan. 7, 2014**

(54) **EARPHONE**

(71) Applicants: **AAC Acoustic Technologies (Shenzhen) Co., Ltd.**, Shenzhen (CN); **AAC Technologies Holdings Inc.**, Cayman Islands (GB)

(72) Inventors: **Roy Alden Thompson**, Quincy, MA (US); **Kai Chun Yang**, McLean, VA (US)

(73) Assignees: **AAC Acoustic Technologies (Shenzhen) Co., Ltd.**, Shenzhen (CN); **AAC Technologies Holdings Inc.**, Grand Cayman (GB)

(\*\*) Term: **14 Years**

(21) Appl. No.: **29/437,419**

(22) Filed: **Nov. 15, 2012**

(51) **LOC (10) Cl.** ..... **14-01**

(52) **U.S. Cl.**  
USPC ..... **D14/223; D14/205**

(58) **Field of Classification Search**  
USPC ..... D14/205, 206, 223; 181/129, 130, 135;  
379/430, 431; 381/375, 380, 381;  
455/90.3, 575.1  
See application file for complete search history.

(56) **References Cited**

**U.S. PATENT DOCUMENTS**

2,430,229	A *	11/1947	Kelsey	.....	381/338
D457,514	S *	5/2002	Marion et al.	.....	D14/223
6,574,345	B1 *	6/2003	Huang	.....	381/380
D519,108	S *	4/2006	Yang	.....	D14/223
D564,495	S *	3/2008	Sasaki	.....	D14/205
D572,703	S *	7/2008	Ledbetter et al.	.....	D14/205
7,551,748	B2 *	6/2009	Kamo et al.	.....	381/380
D598,894	S *	8/2009	Masuda et al.	.....	D14/205
D602,475	S *	10/2009	Martin	.....	D14/223

D606,971	S *	12/2009	Christopher et al.	.....	D14/205
D621,389	S *	8/2010	Nagayama et al.	.....	D14/223
D626,117	S *	10/2010	Lowry	.....	D14/223
D626,948	S *	11/2010	Nault	.....	D14/223
D631,034	S *	1/2011	Yeo	.....	D14/205
D635,558	S *	4/2011	Zheng	.....	D14/223
D647,081	S *	10/2011	Kwon	.....	D14/223
D663,291	S *	7/2012	Gondo	.....	D14/223
D664,951	S *	8/2012	Ang et al.	.....	D14/223
8,265,323	B2 *	9/2012	Stiehl et al.	.....	381/371
D668,244	S *	10/2012	Matsumura	.....	D14/223
D674,376	S *	1/2013	Kelly et al.	.....	D14/223
D674,377	S *	1/2013	Schaefer	.....	D14/223
D674,904	S *	1/2013	Aunio	.....	D24/210
D678,251	S *	3/2013	Cantoni et al.	.....	D14/223
8,391,536	B2 *	3/2013	Hashimoto	.....	381/380
D683,332	S *	5/2013	Lee et al.	.....	D14/223
D683,334	S *	5/2013	Gondo	.....	D14/223
D685,767	S *	7/2013	Kelly et al.	.....	D14/223
D686,597	S *	7/2013	Lee et al.	.....	D14/223

\* cited by examiner

*Primary Examiner* — Paula Greene

(74) *Attorney, Agent, or Firm* — Anova Law Group, PLLC

(57) **CLAIM**

The ornamental design for an earphone, as shown and described.

**DESCRIPTION**

FIG. 1 is an isometric view of an earphone showing our new design, the cord is drawn broken away for indeterminate length;

FIG. 2 is a front view thereof;

FIG. 3 is a rear view thereof;

FIG. 4 is a left side view thereof;

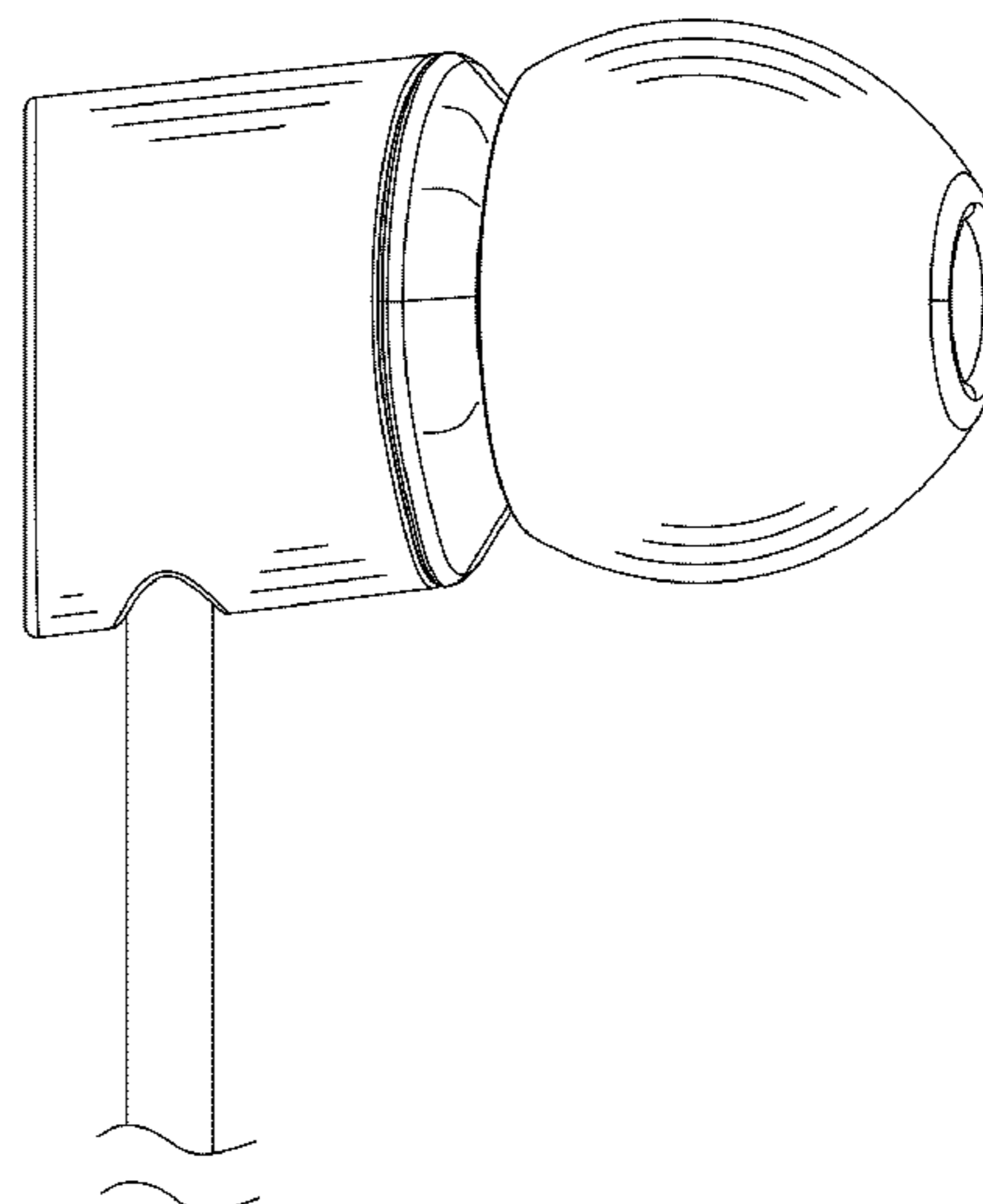
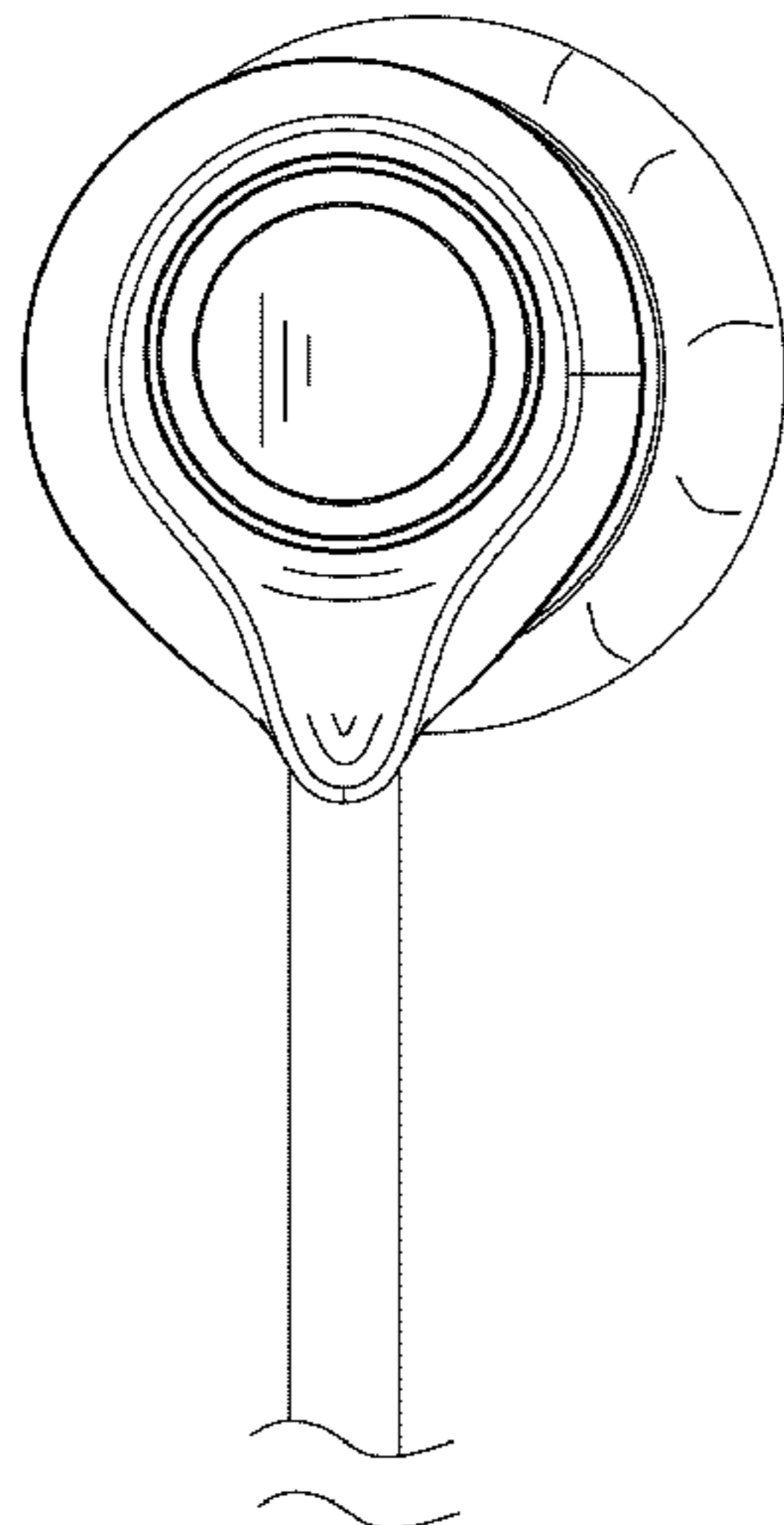
FIG. 5 is a right side view thereof;

FIG. 6 is a top view thereof; and,

FIG. 7 is a bottom view thereof.

The shade lines in the figures show contour and not surface ornamentation.

**1 Claim, 7 Drawing Sheets**



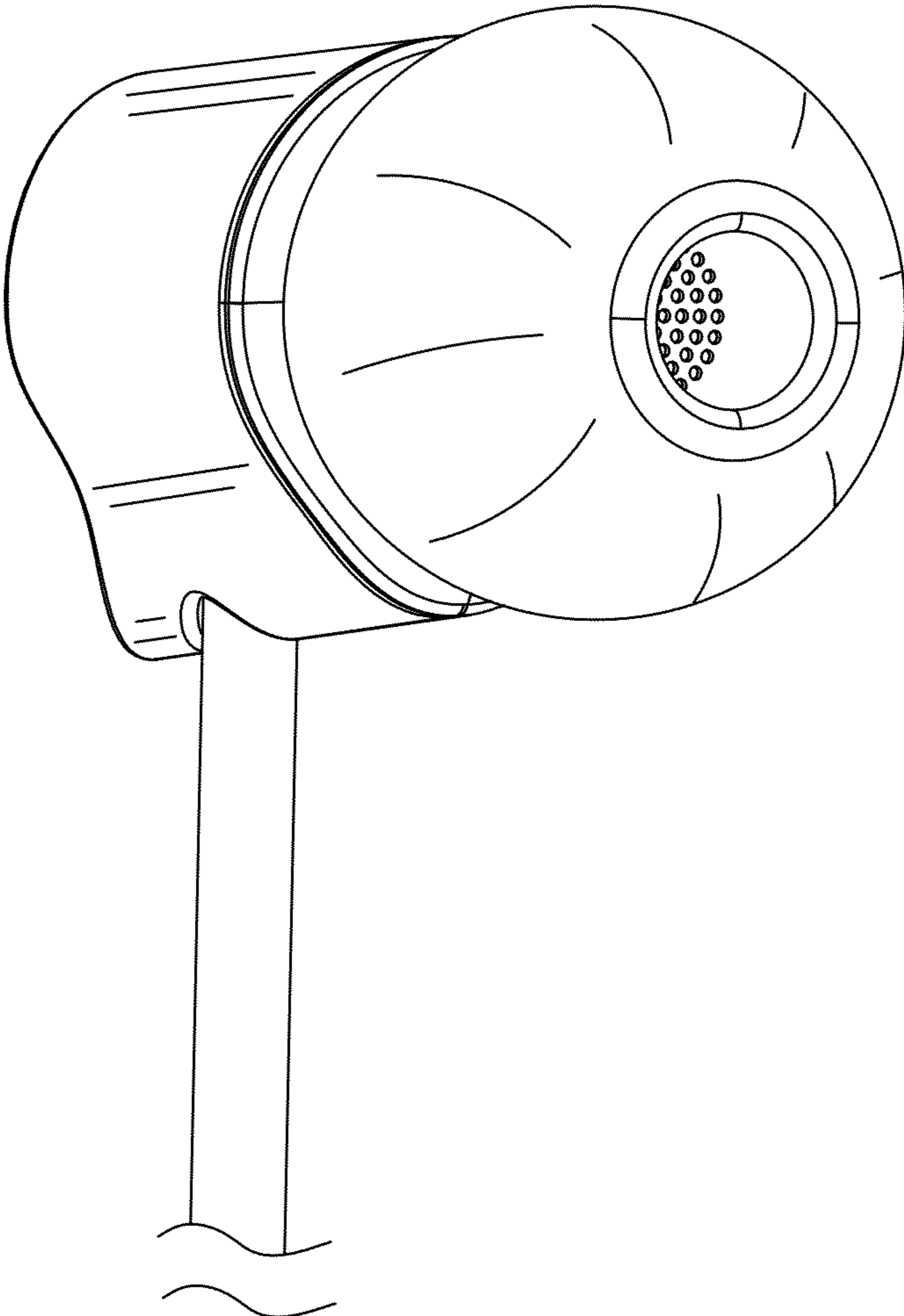


Fig. 1

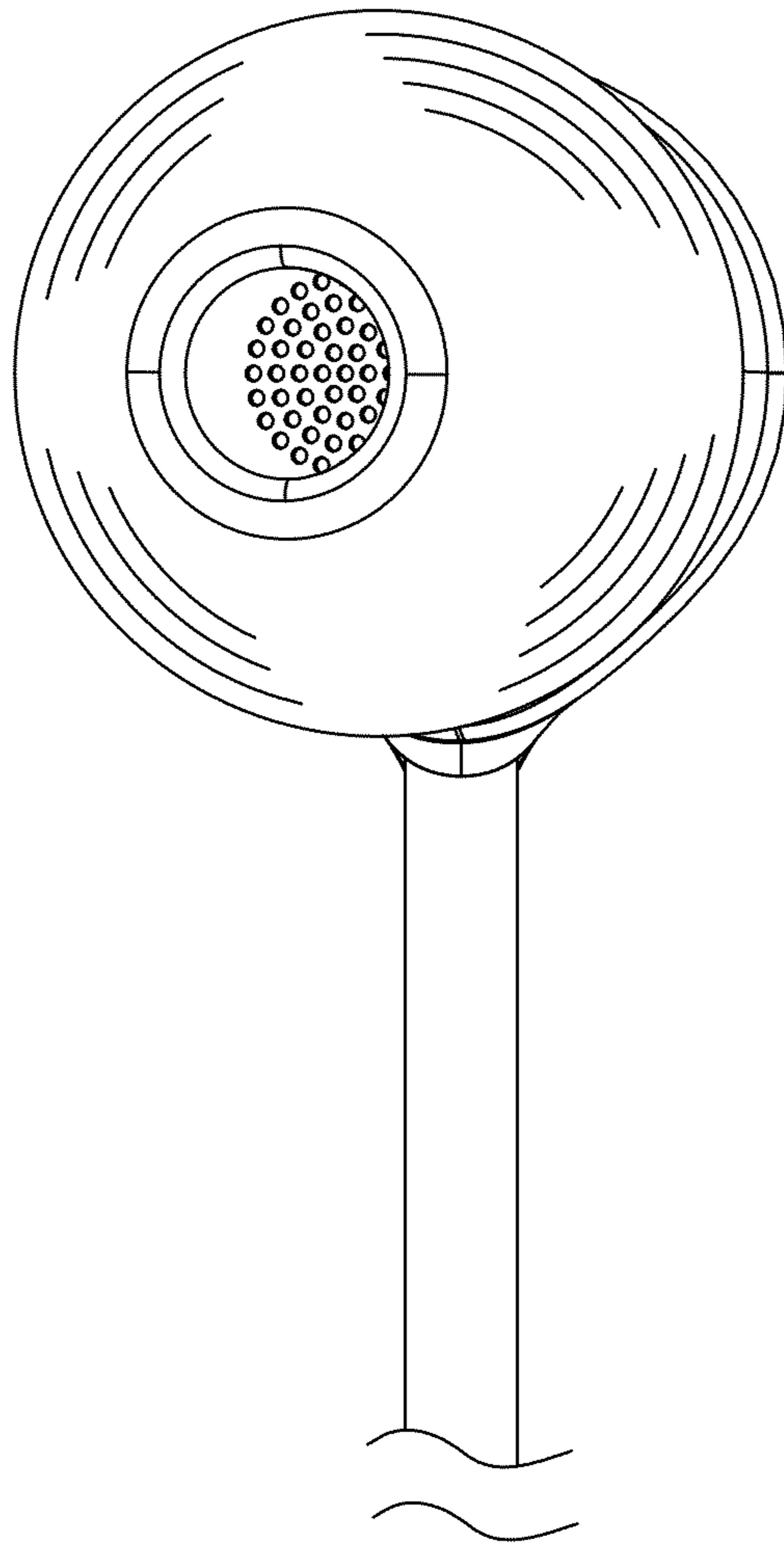


Fig. 2

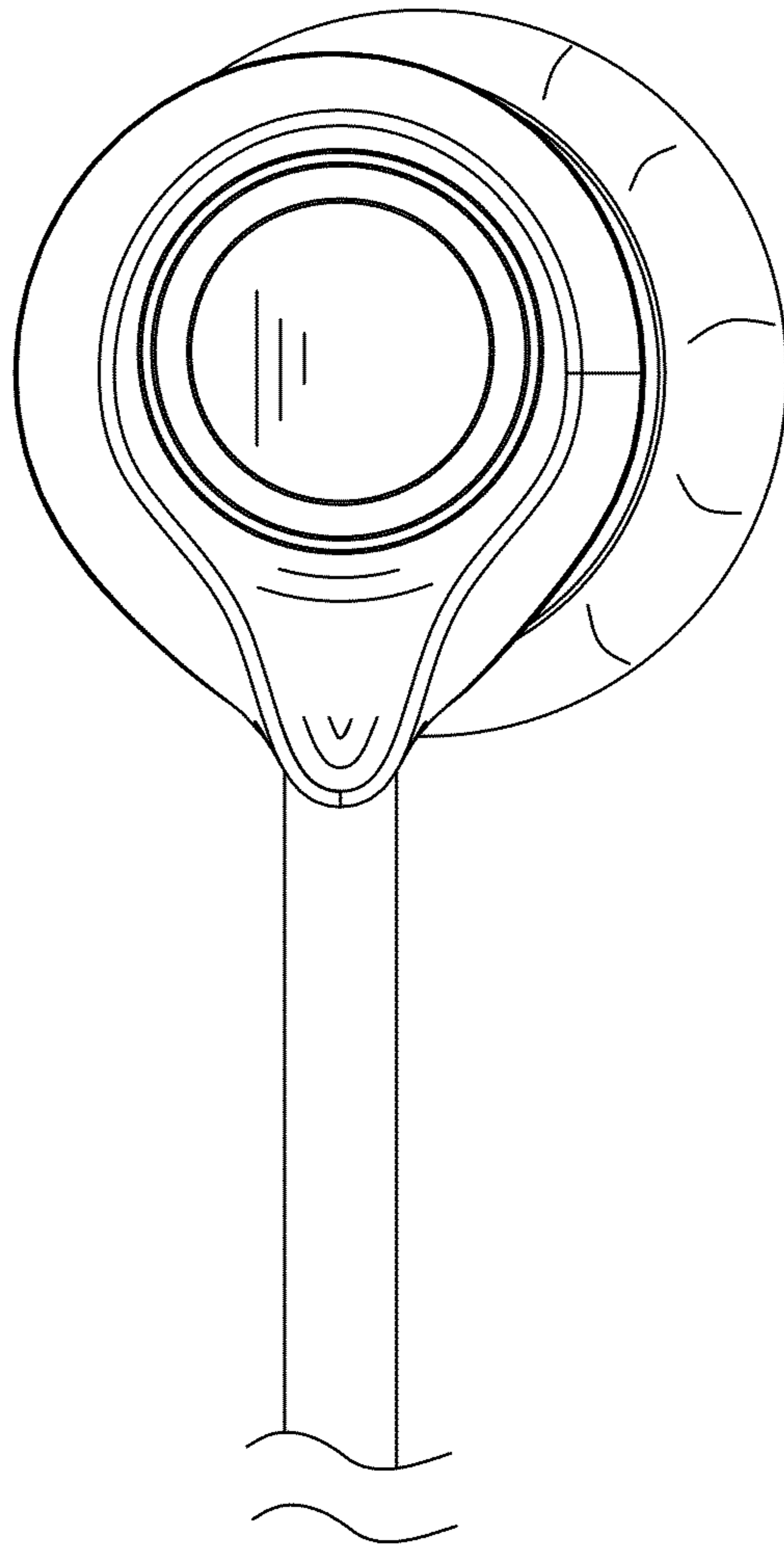


Fig. 3

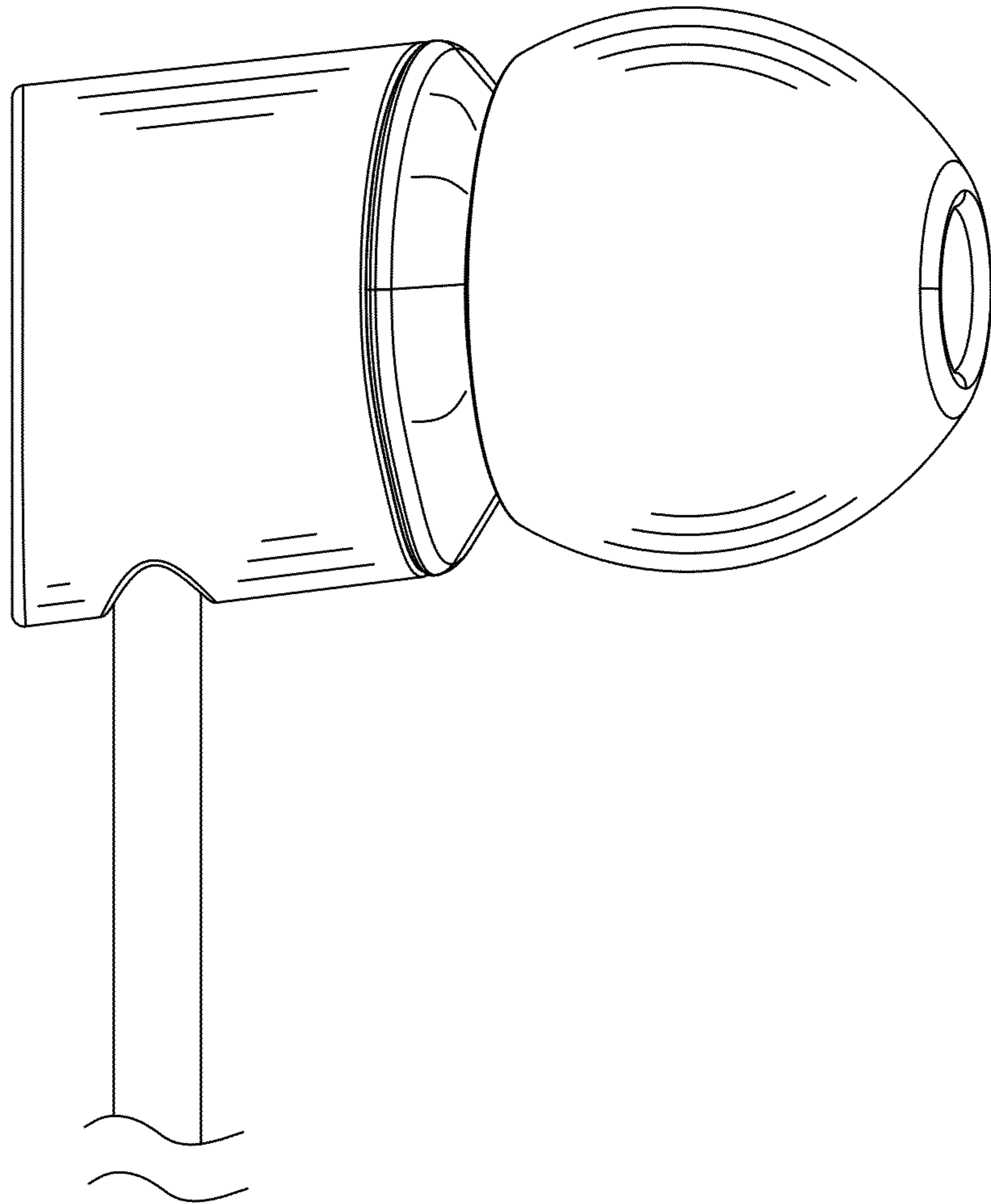


Fig. 4

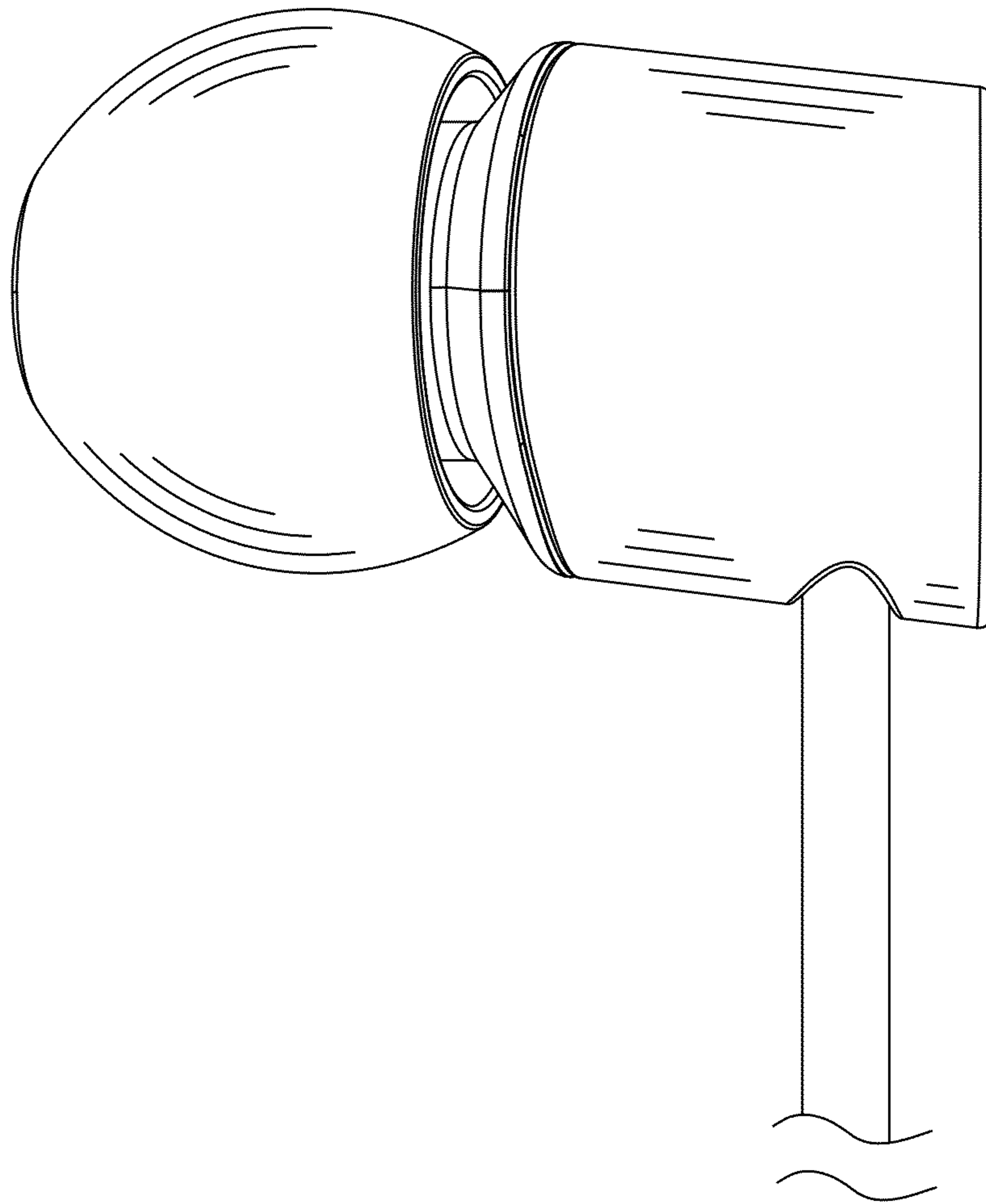


Fig. 5

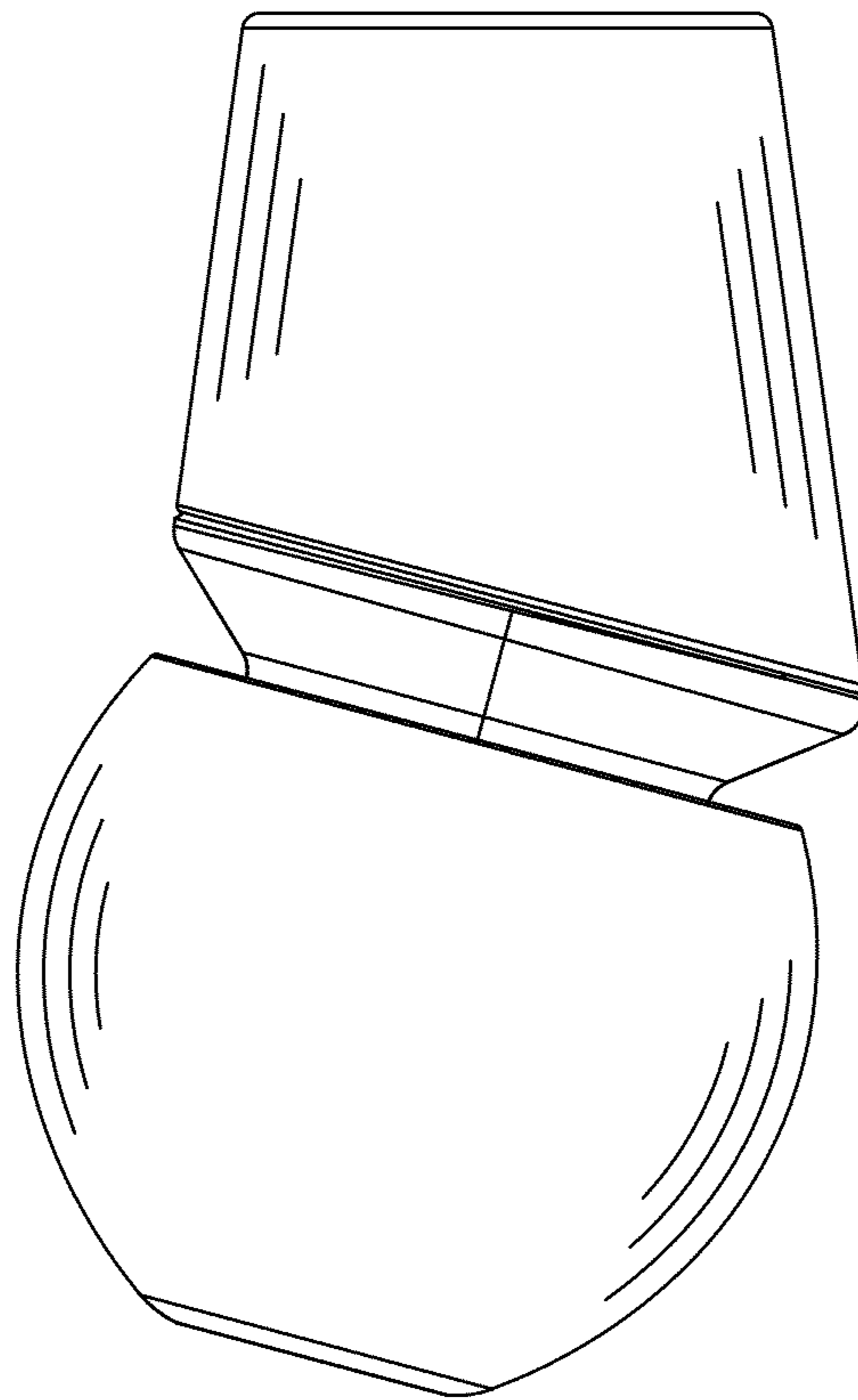


Fig. 6

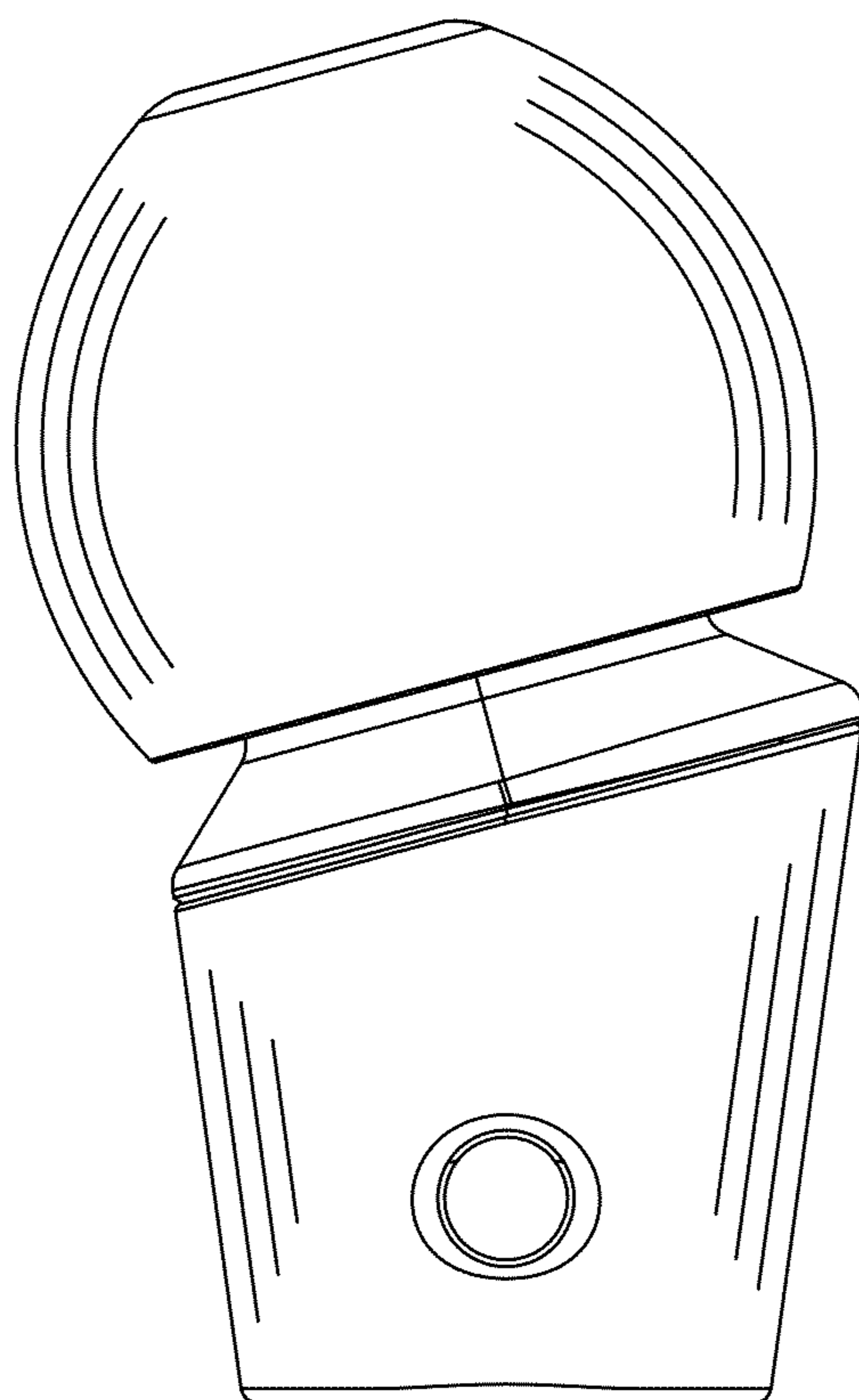


Fig. 7