



(12) **United States Design Patent**
Li et al.

(10) **Patent No.:** **US D697,054 S**
(45) **Date of Patent:** **** Jan. 7, 2014**

(54) **PORTABLE SPEAKER**

(71) Applicant: **Hewlett-Packard Development Company, L.P.**, Houston, TX (US)

(72) Inventors: **Shanshan Li**, Fort Collins, CO (US);
Liming Daphne Kung, Taipei (TW);
Alberto Villareal Bello, Tlalpan (MX);
Alexandre A. Rochat, Seoul (KR);
Jonathan E. Rathbone, Seattle, WA (US)

(73) Assignee: **Hewlett-Packard Development Company, L.P.**, Houston, TX (US)

(**) Term: **14 Years**

(21) Appl. No.: **29/447,830**

(22) Filed: **Mar. 7, 2013**

(51) **LOC (10) Cl.** **14-03**

(52) **U.S. Cl.**
USPC **D14/216**

(58) **Field of Classification Search**
USPC D14/172, 194, 196, 204, 207, 209.1,
D14/210–217, 219–222, 224; 181/143, 144,
181/147, 148, 150, 153, 157, 198, 199;
381/300–303, 306, 332, 333, 336, 345,
381/361–364, 386–388

See application file for complete search history.

(56) **References Cited**

U.S. PATENT DOCUMENTS

D376,364 S *	12/1996	Boothroyd et al.	D14/216
D480,706 S *	10/2003	Bolton et al.	D14/214
D570,829 S *	6/2008	Matsuoka	D14/216
D610,572 S *	2/2010	Skurdal	D14/216
D612,837 S *	3/2010	Murray	D14/216
D644,204 S *	8/2011	Poandl	D14/215
D671,095 S *	11/2012	Ching	D14/210
D676,420 S *	2/2013	Holzer	D14/212

OTHER PUBLICATIONS

<http://www.asseenontv.com/music-bullet/detail.php?p=368385>
Mar. 7, 2013.

* cited by examiner

Primary Examiner — Keli L Hill

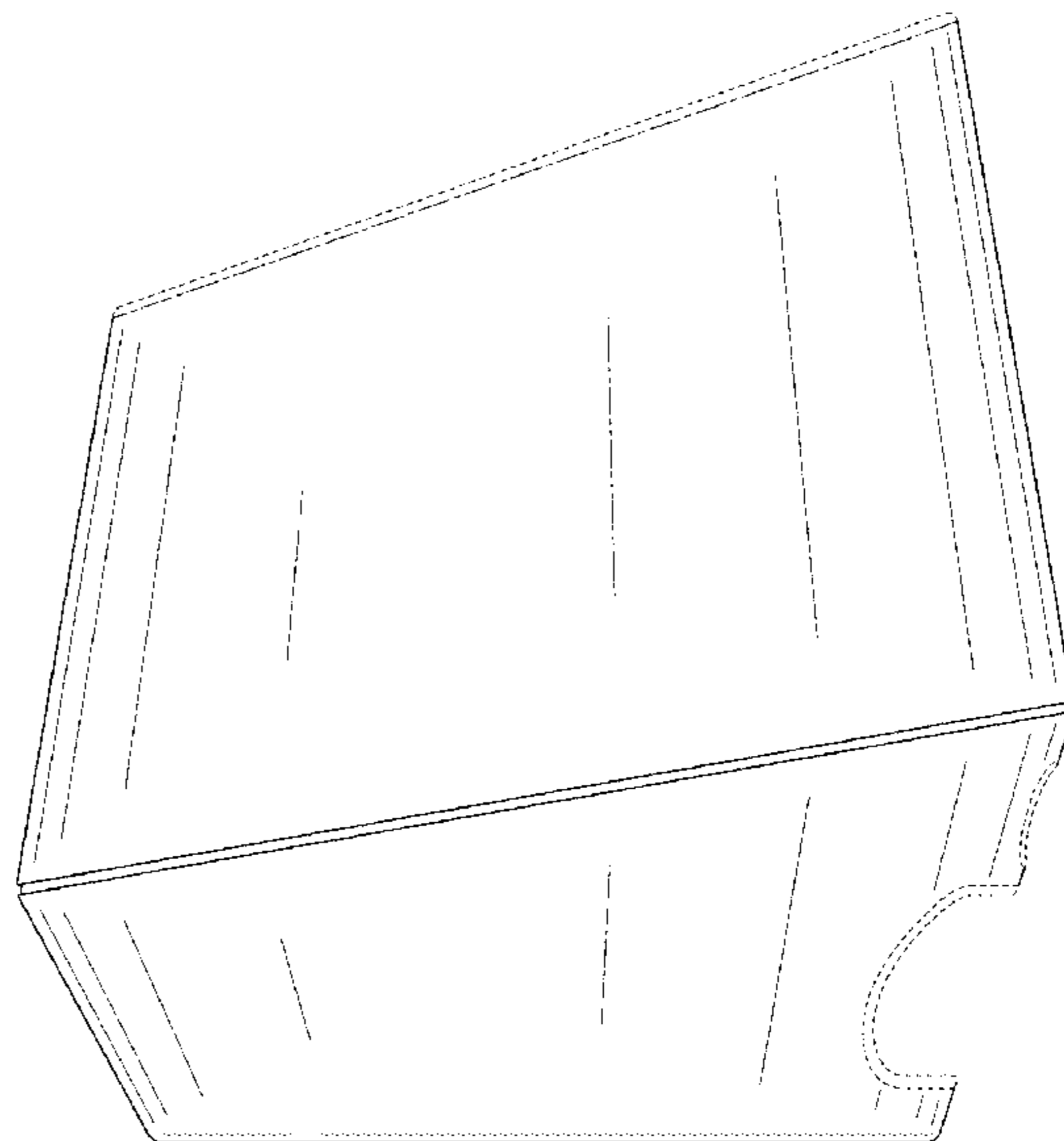
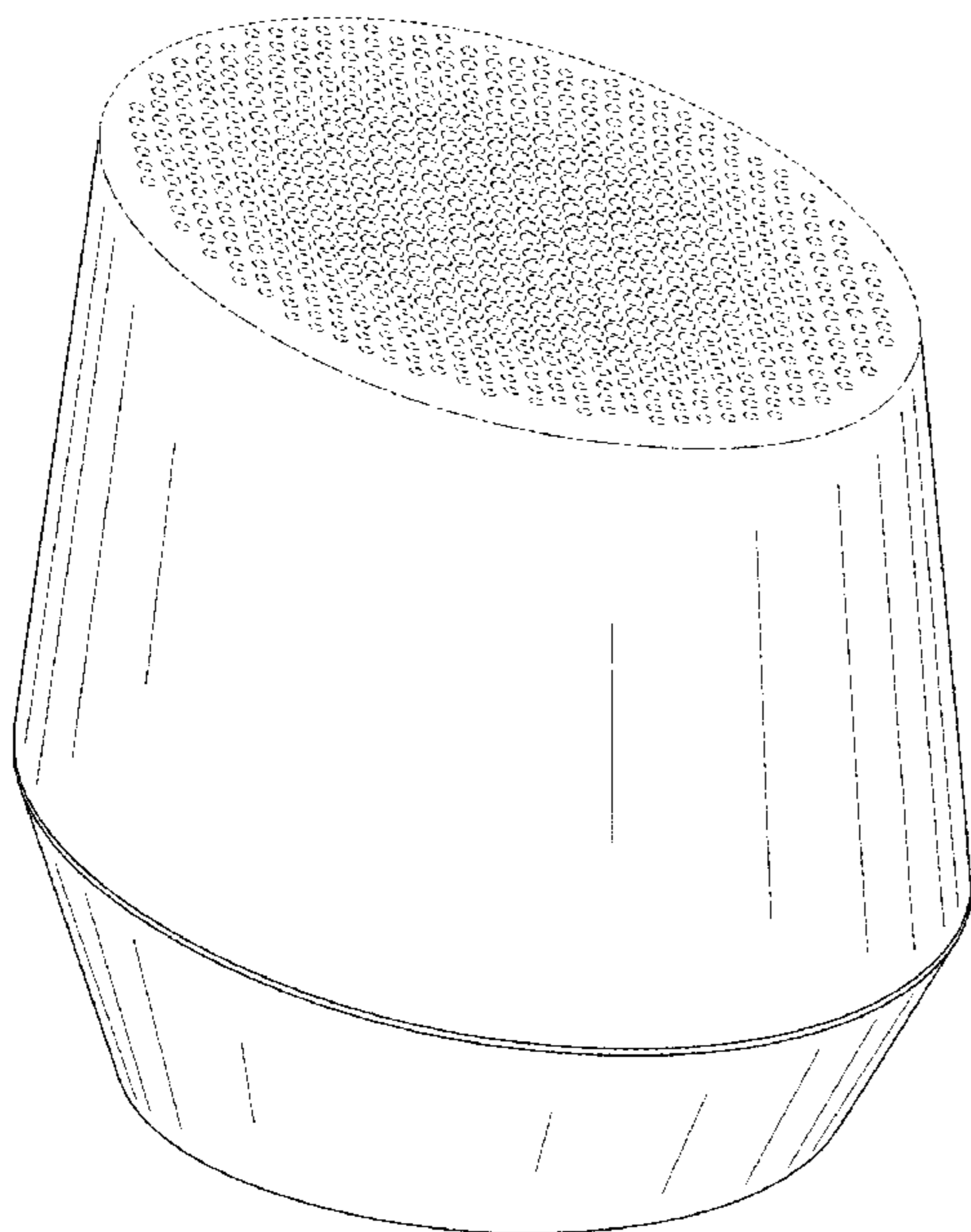
(57) **CLAIM**

We claim the ornamental design for a portable speaker, as shown and described.

DESCRIPTION

FIG. 1 is a top perspective view of a portable speaker;
FIG. 2 is a front view thereof;
FIG. 3 is a rear view thereof;
FIG. 4 is a right side view thereof;
FIG. 5 is a left side view thereof;
FIG. 6 is a top view thereof; and,
FIG. 7 is a bottom view thereof.
The broken lines shown are included for the purpose of illustrating portions of the portable speaker that form no part of the claim. The short dash-long dash lines are boundary lines which do not form part of the claimed design.

1 Claim, 7 Drawing Sheets



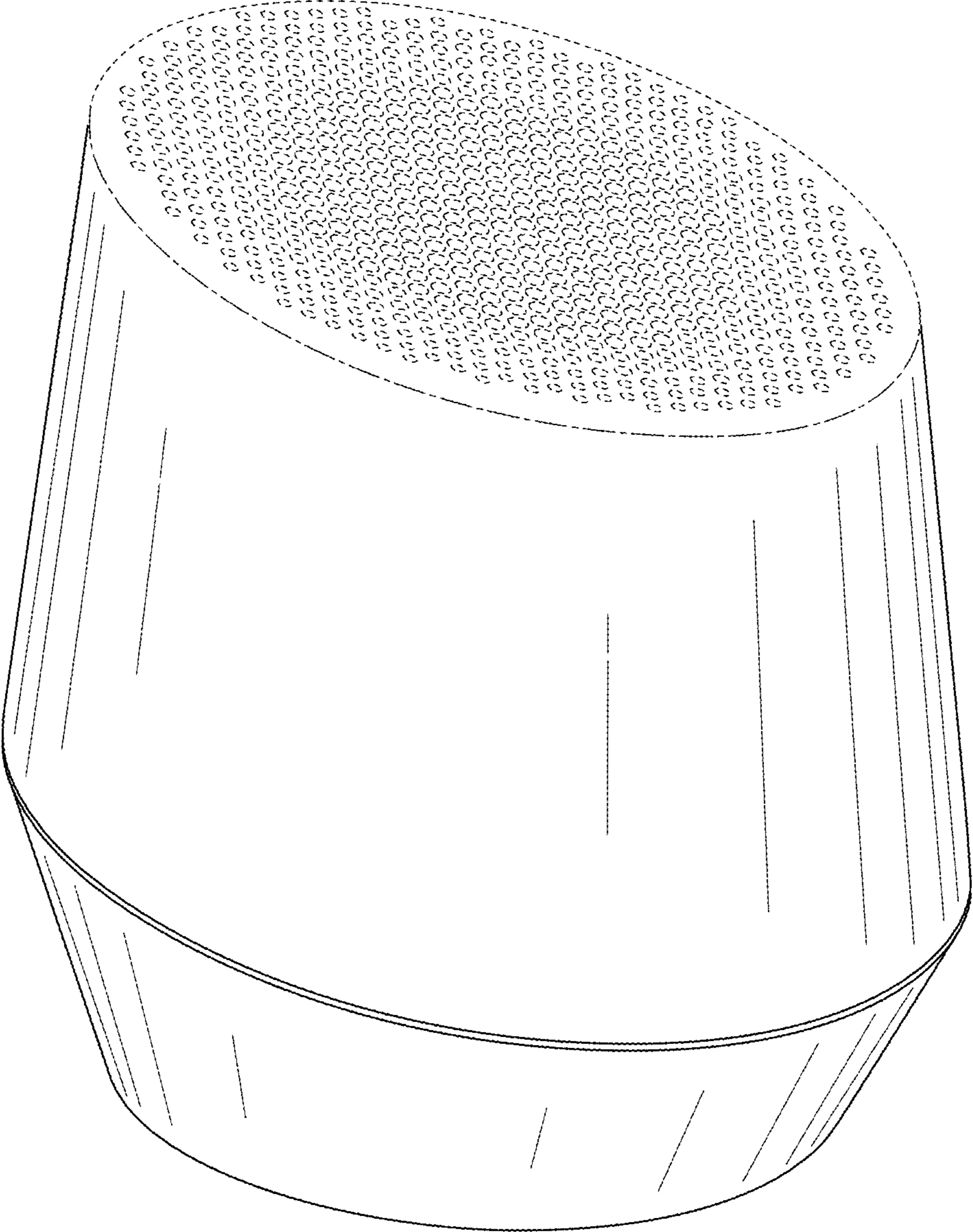


FIG. 1

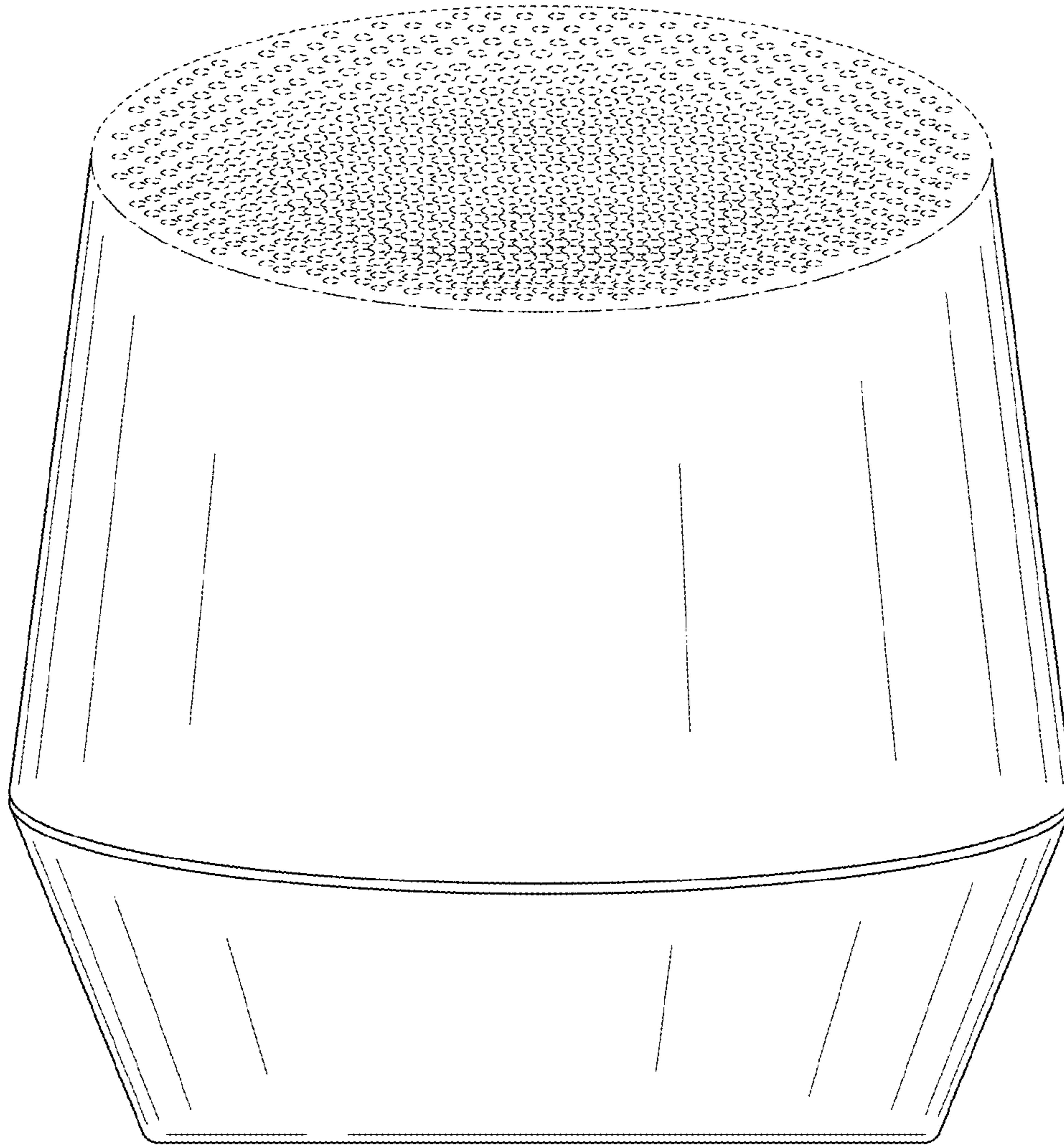


FIG. 2

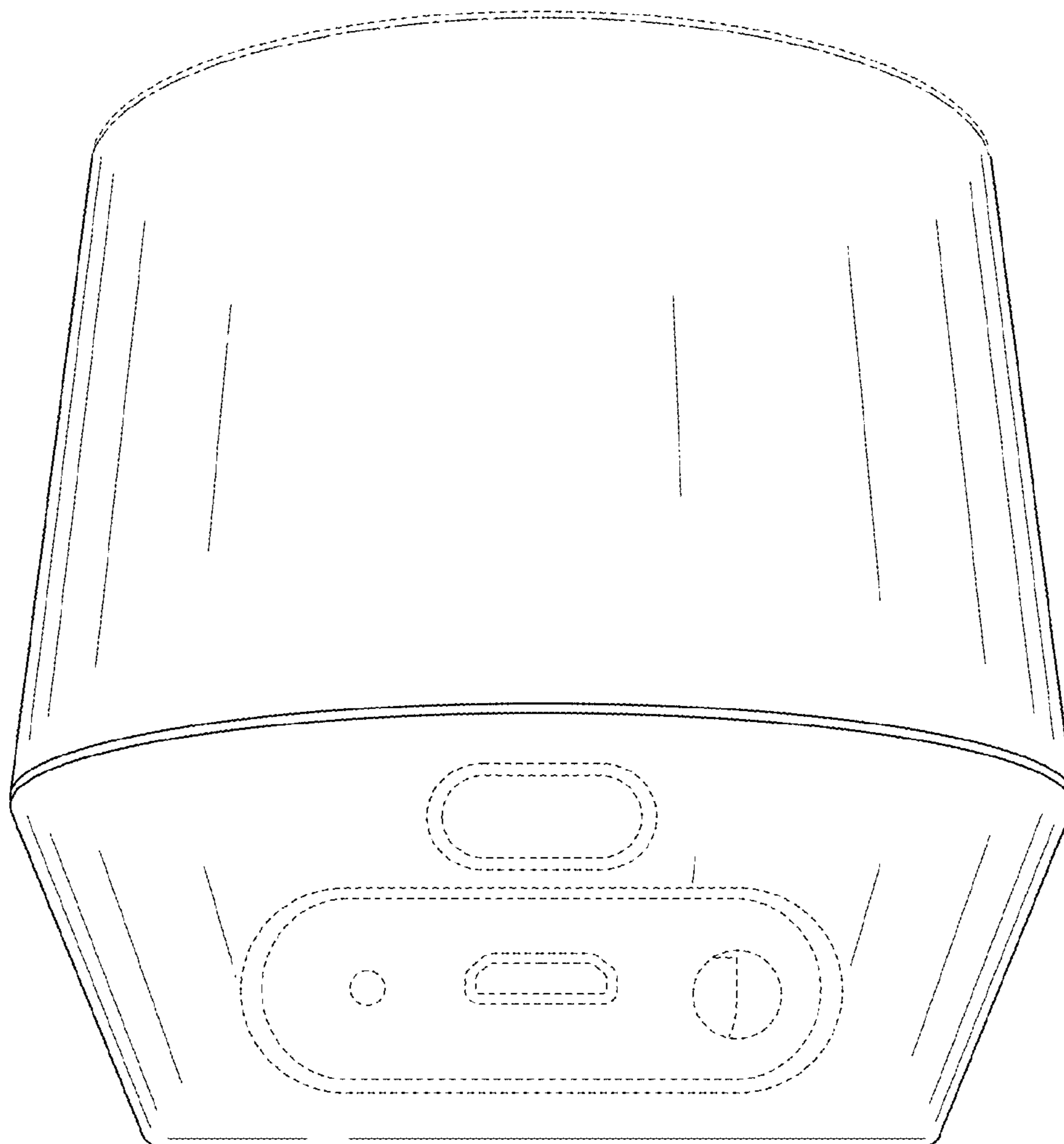


FIG. 3

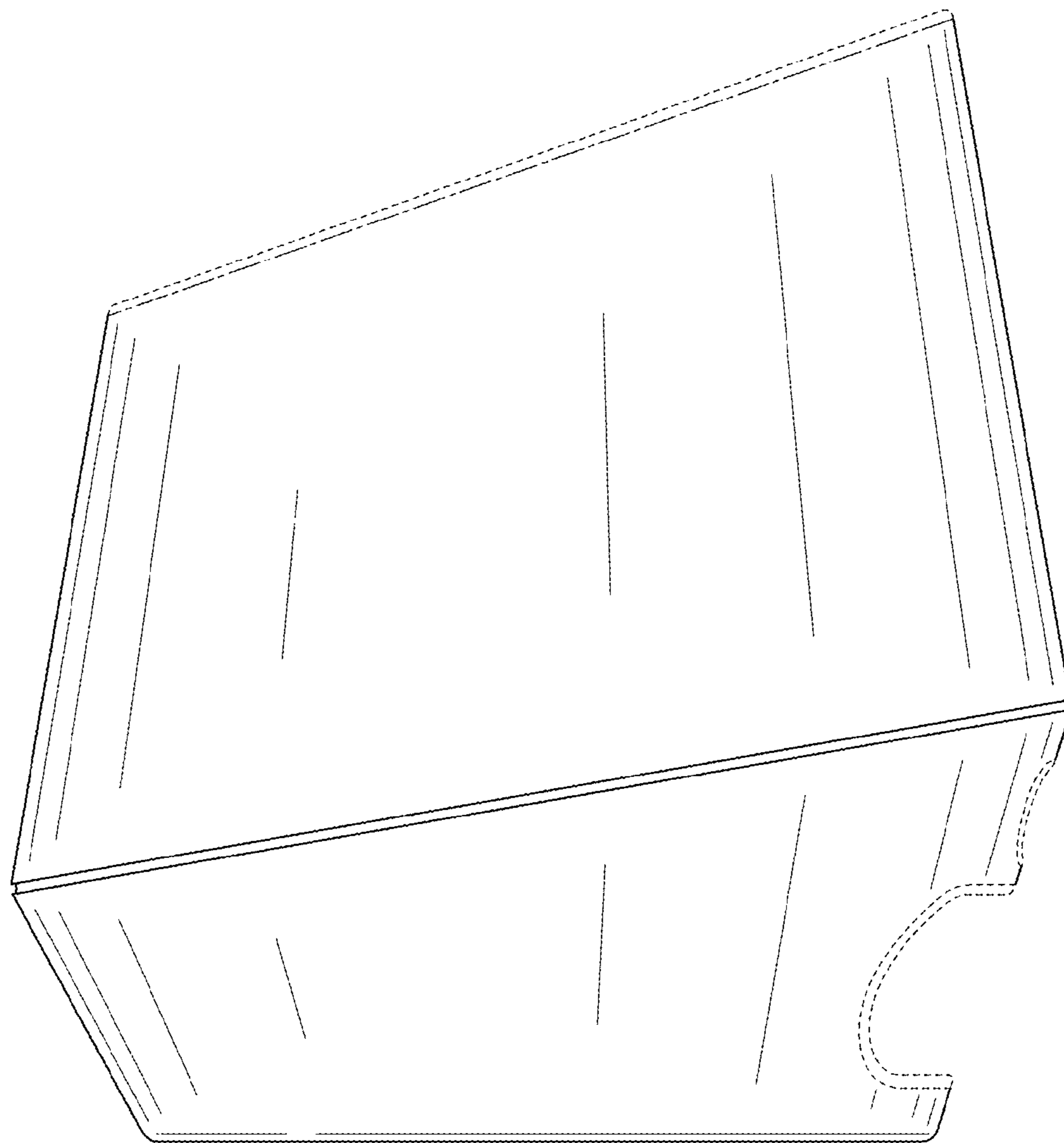


FIG. 4

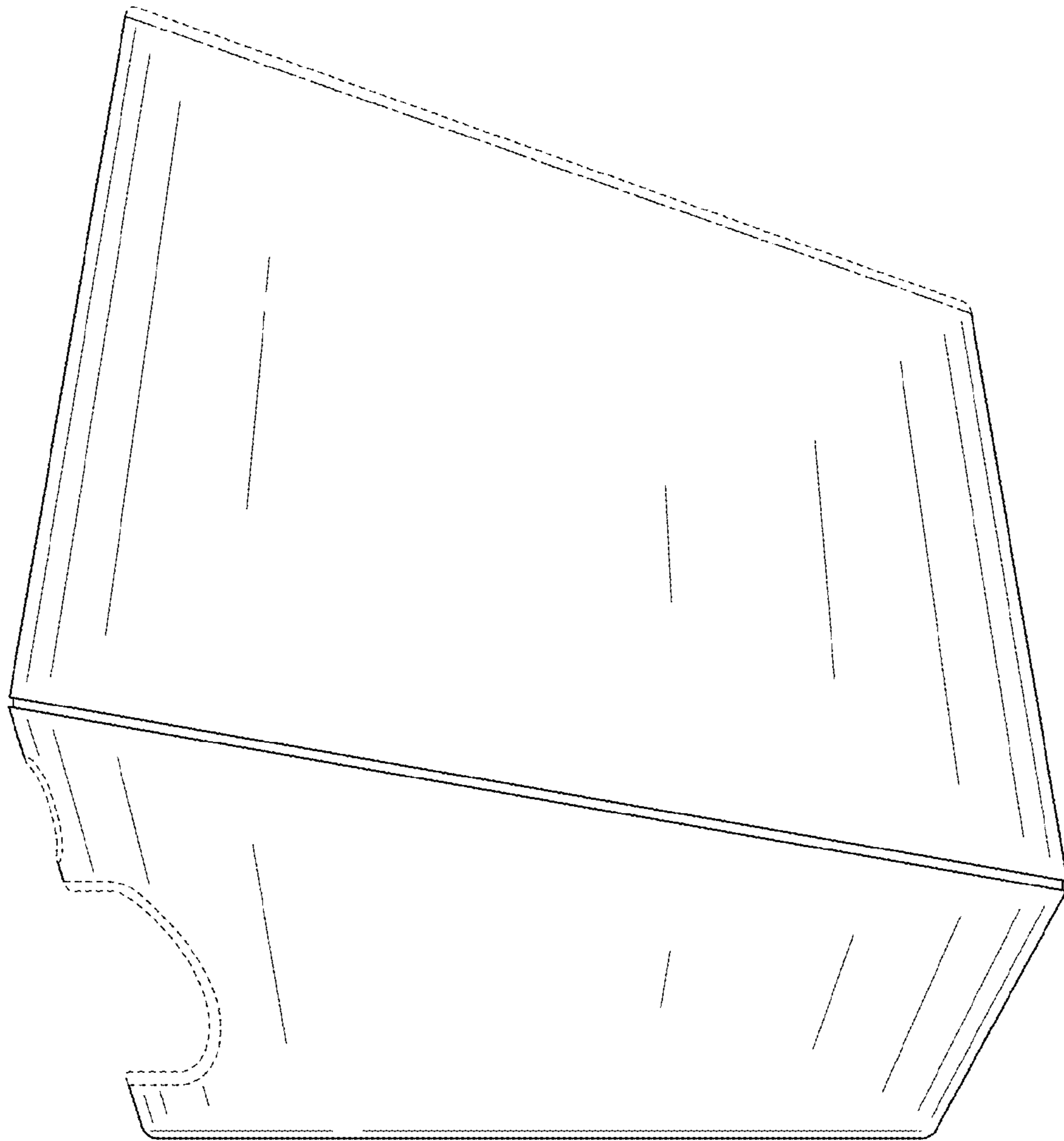


FIG. 5

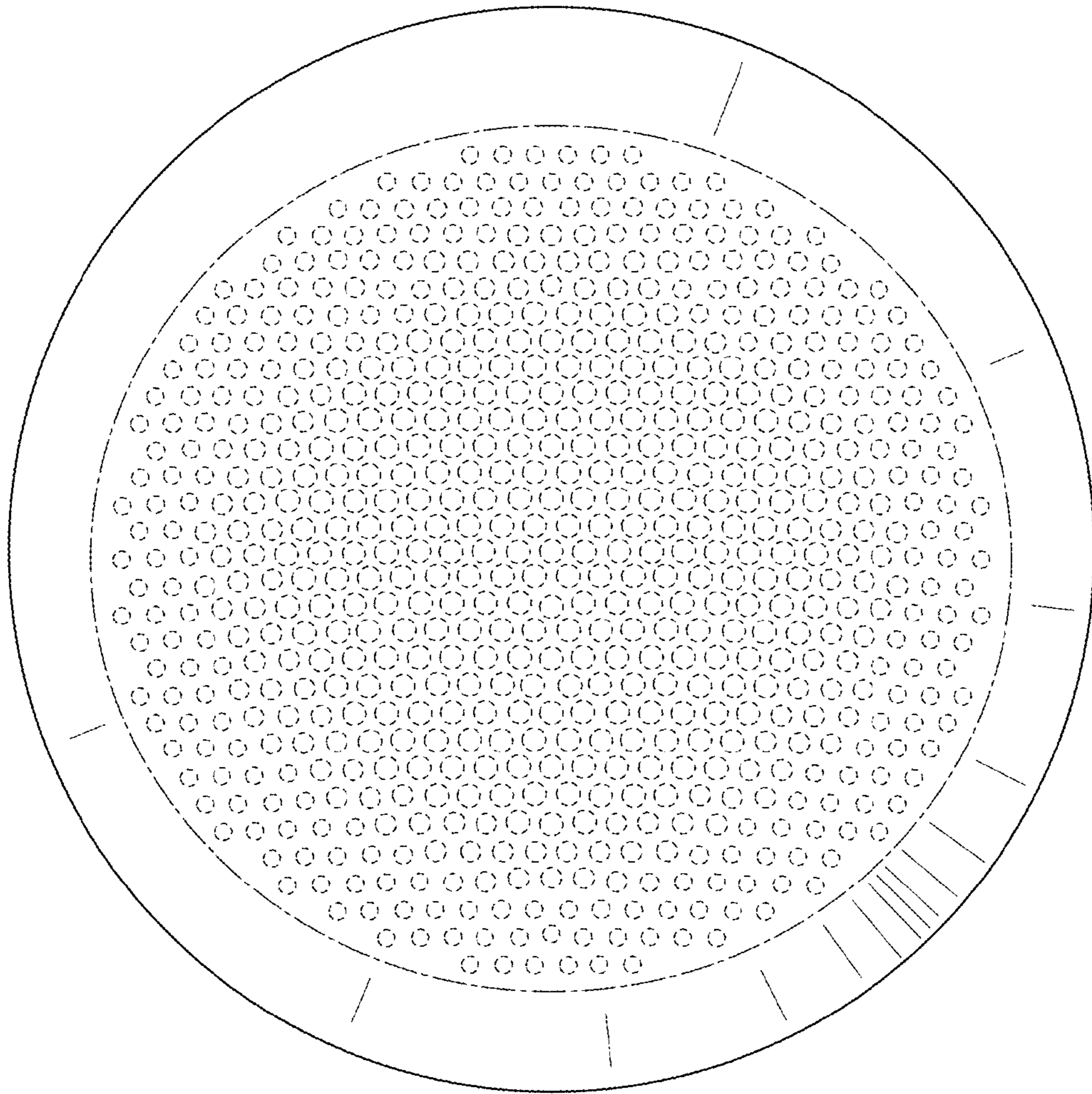


FIG. 6

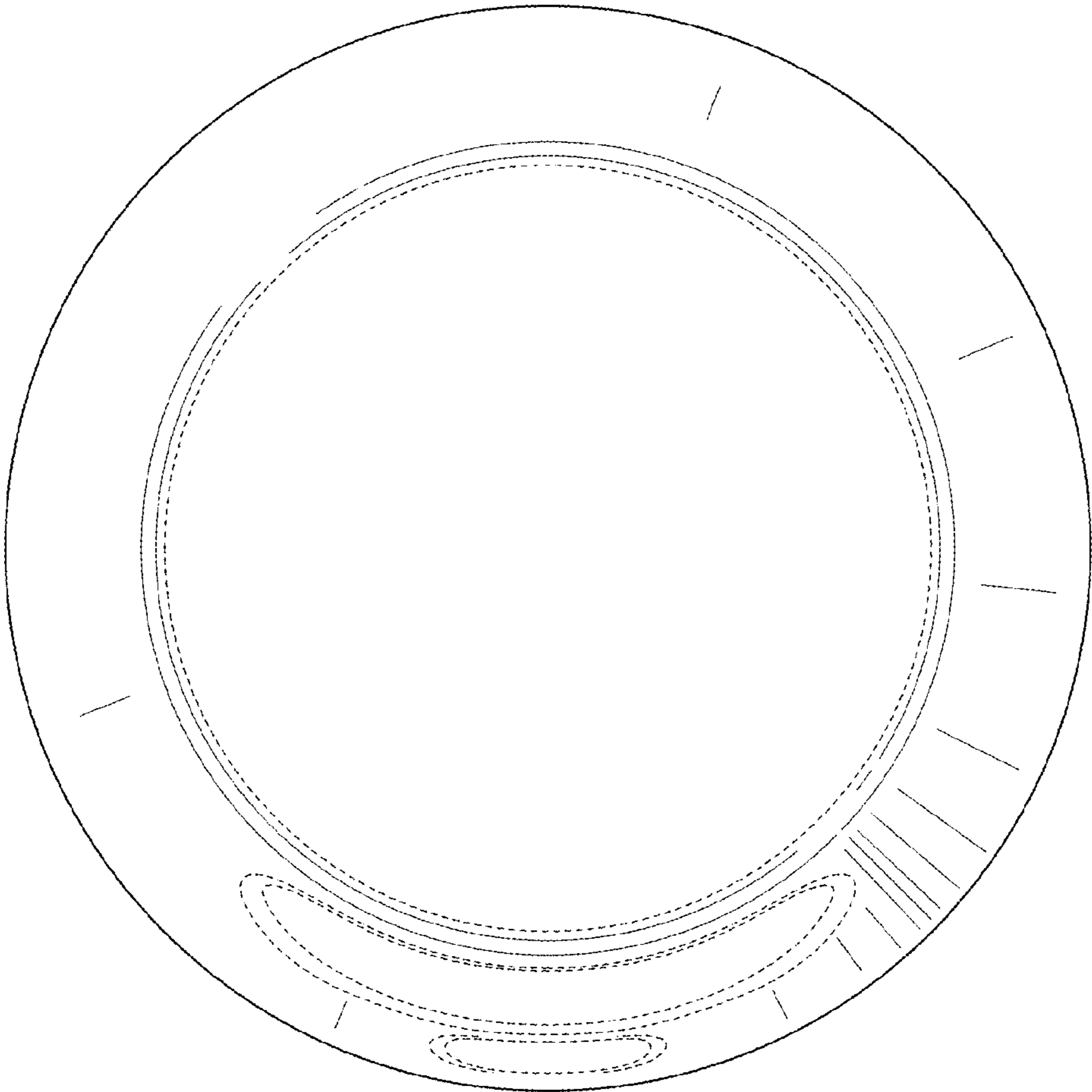


FIG. 7