

US00D697053S

(12) **United States Design Patent**
Brickstad

(10) **Patent No.:** **US D697,053 S**
(45) **Date of Patent:** **** Jan. 7, 2014**

(54) **SPEAKERS**
(71) Applicant: **People People AB**, Stockholm (SE)
(72) Inventor: **Per Brickstad**, Stockholm (SE)
(73) Assignee: **People People AB**, Stockholm (SE)

3,967,065 A * 6/1976 Ward 381/335
D270,532 S * 9/1983 Weinstein D14/214
D278,811 S * 5/1985 White et al. D14/211
D329,647 S * 9/1992 Frank D14/215
D499,081 S * 11/2004 Wearing D14/168
D521,978 S * 5/2006 Morita et al. D14/211

(**) Term: **14 Years**
(21) Appl. No.: **29/432,642**
(22) Filed: **Sep. 18, 2012**

FOREIGN PATENT DOCUMENTS

KR 3004659690000 * 10/2007
* cited by examiner

(30) **Foreign Application Priority Data**
Mar. 20, 2012 (EM) 002011320-0001

Primary Examiner — Keli L Hill
(74) *Attorney, Agent, or Firm* — Fox Rothschild LLP

(51) **LOC (10) Cl.** **14-03**
(52) **U.S. Cl.**
USPC **D14/215**

(57) **CLAIM**
The ornamental design for speakers, as shown and described.

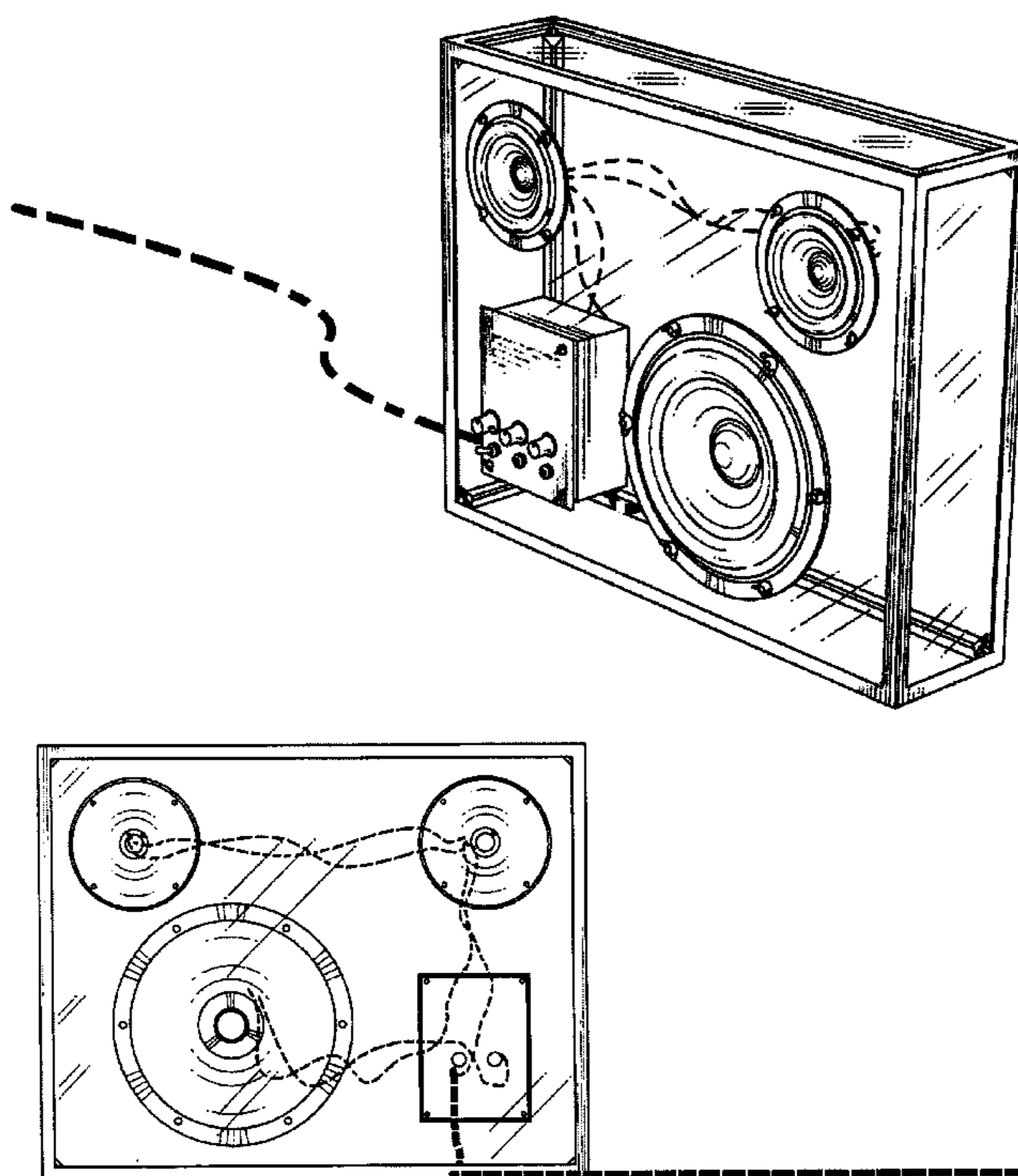
(58) **Field of Classification Search**
USPC D14/167, 168, 170–172, 188, 194–196,
D14/204, 207, 209.1, 210–216, 221, 222;
181/143, 144, 147, 148, 150, 153, 157,
181/198, 199; 381/300–303, 306, 332, 333,
381/336, 345, 361–364, 386–388;
D13/107, 108; 455/344–351; 369/6–12
See application file for complete search history.

DESCRIPTION

FIG. 1 is a top perspective view of a speaker in accordance with a preferred embodiment of my new design;
FIG. 2 is a front elevational view thereof;
FIG. 3 is a rear elevational view thereof;
FIG. 4 is a left side elevational view thereof;
FIG. 5 is a right side elevational view thereof;
FIG. 6 is a top plan view thereof; and,
FIG. 7 is a bottom plan view thereof.
The indicia consisting of letters, numbers and symbols, and the wiring or cables shown in the figures are for the purpose of showing environmental structure and form no part of the claimed design.

(56) **References Cited**
U.S. PATENT DOCUMENTS
3,194,340 A * 7/1965 Kuwayama 381/346
3,824,343 A * 7/1974 Dahlquist 381/335

1 Claim, 7 Drawing Sheets



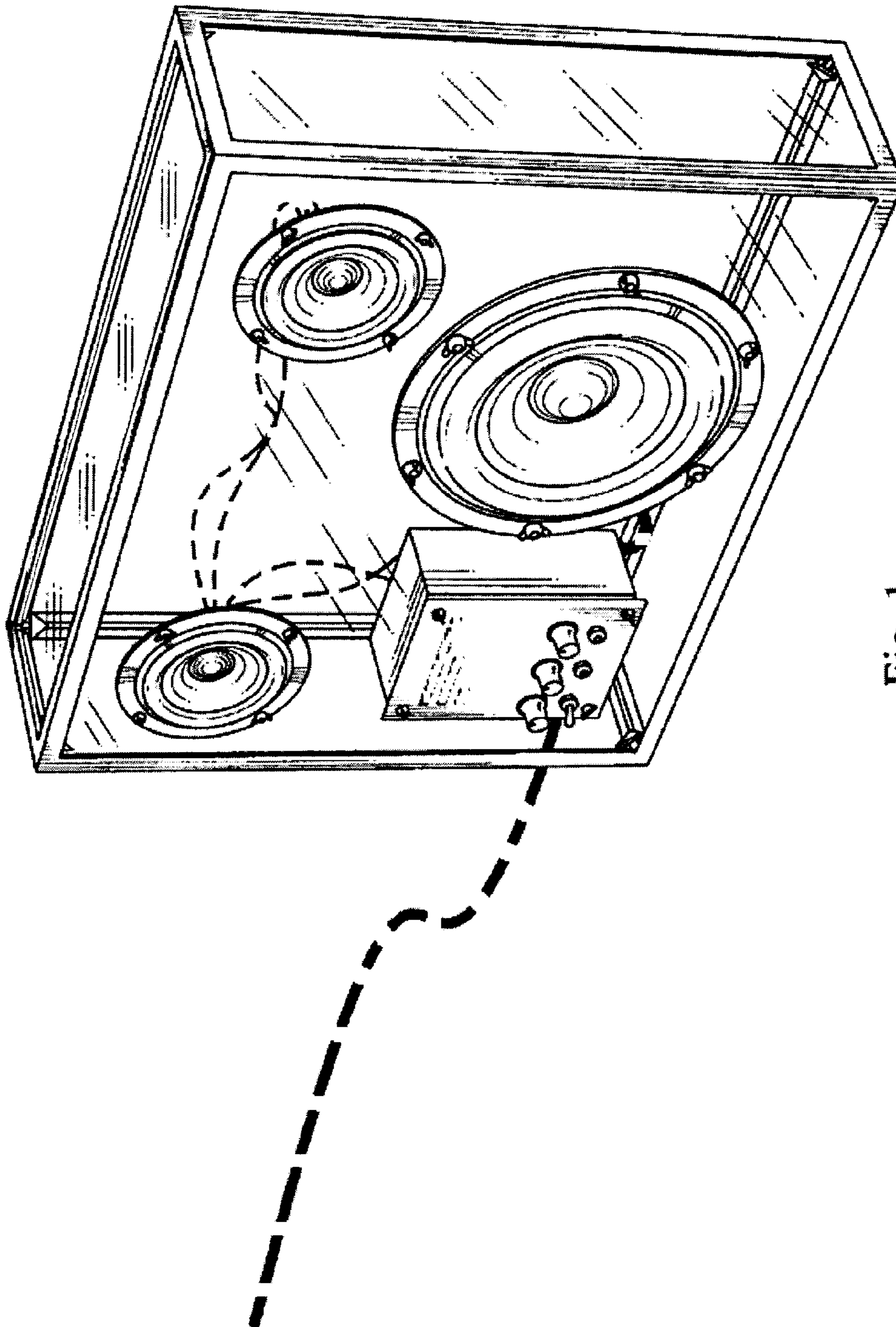


Fig. 1

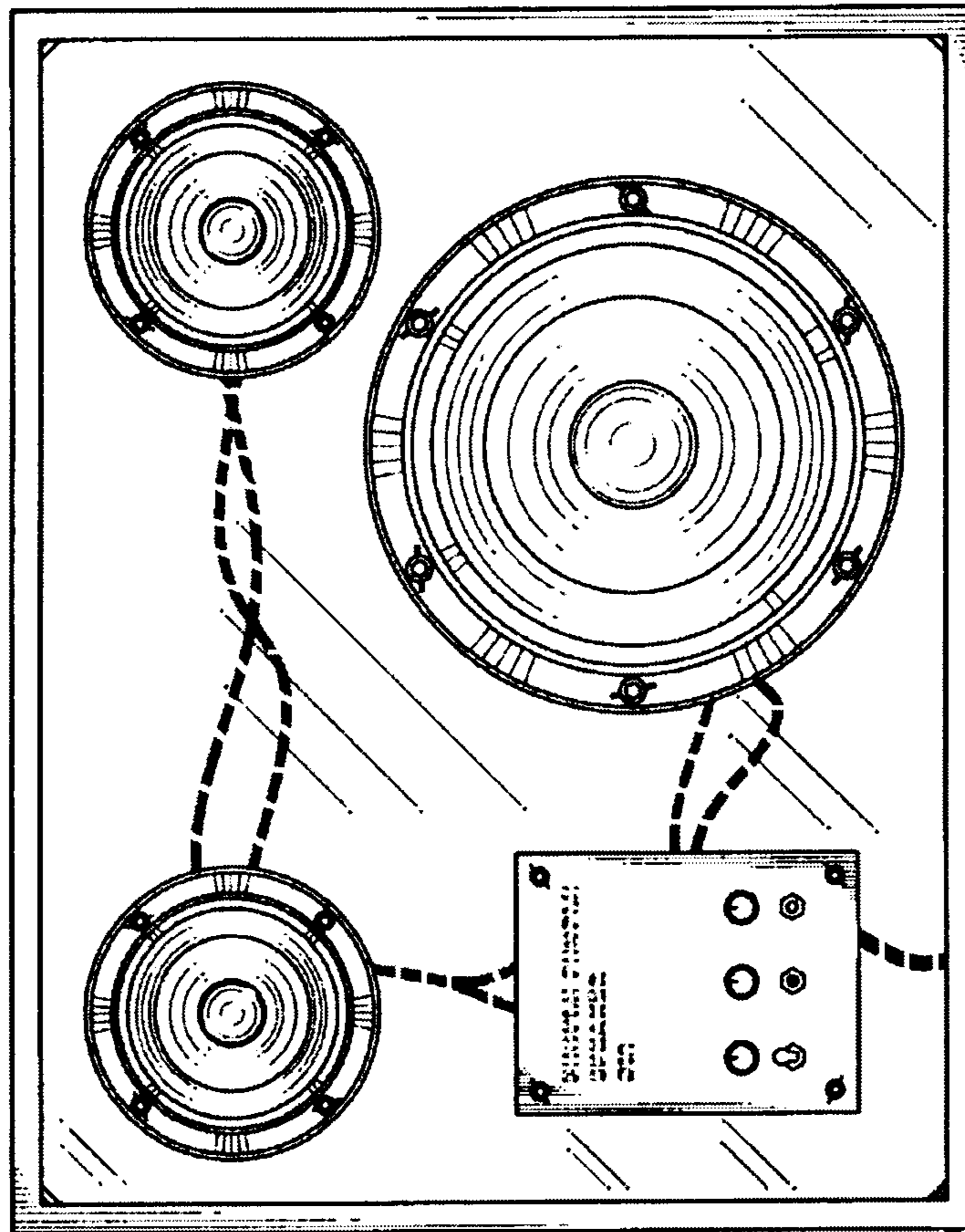


Fig. 2

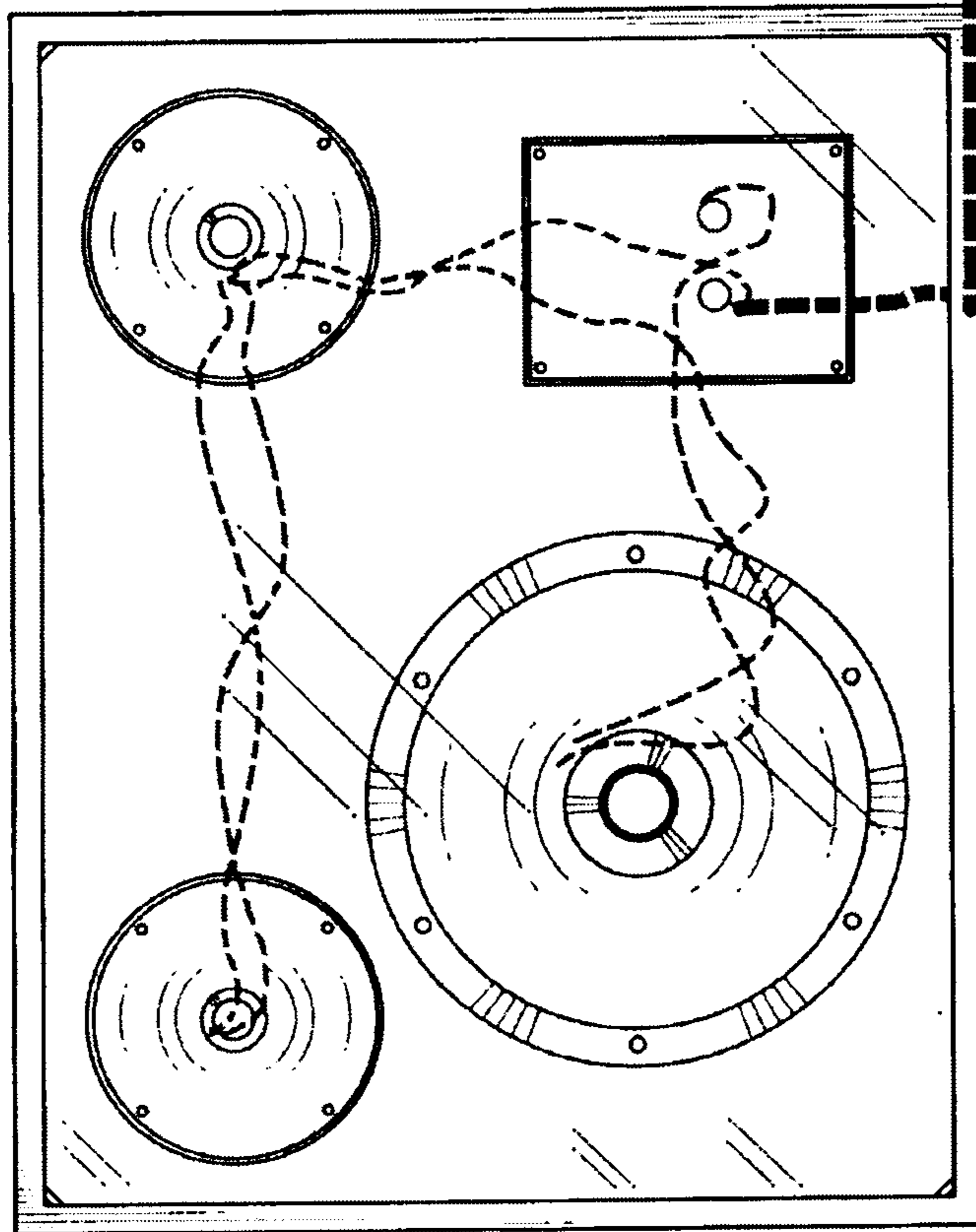


Fig. 3

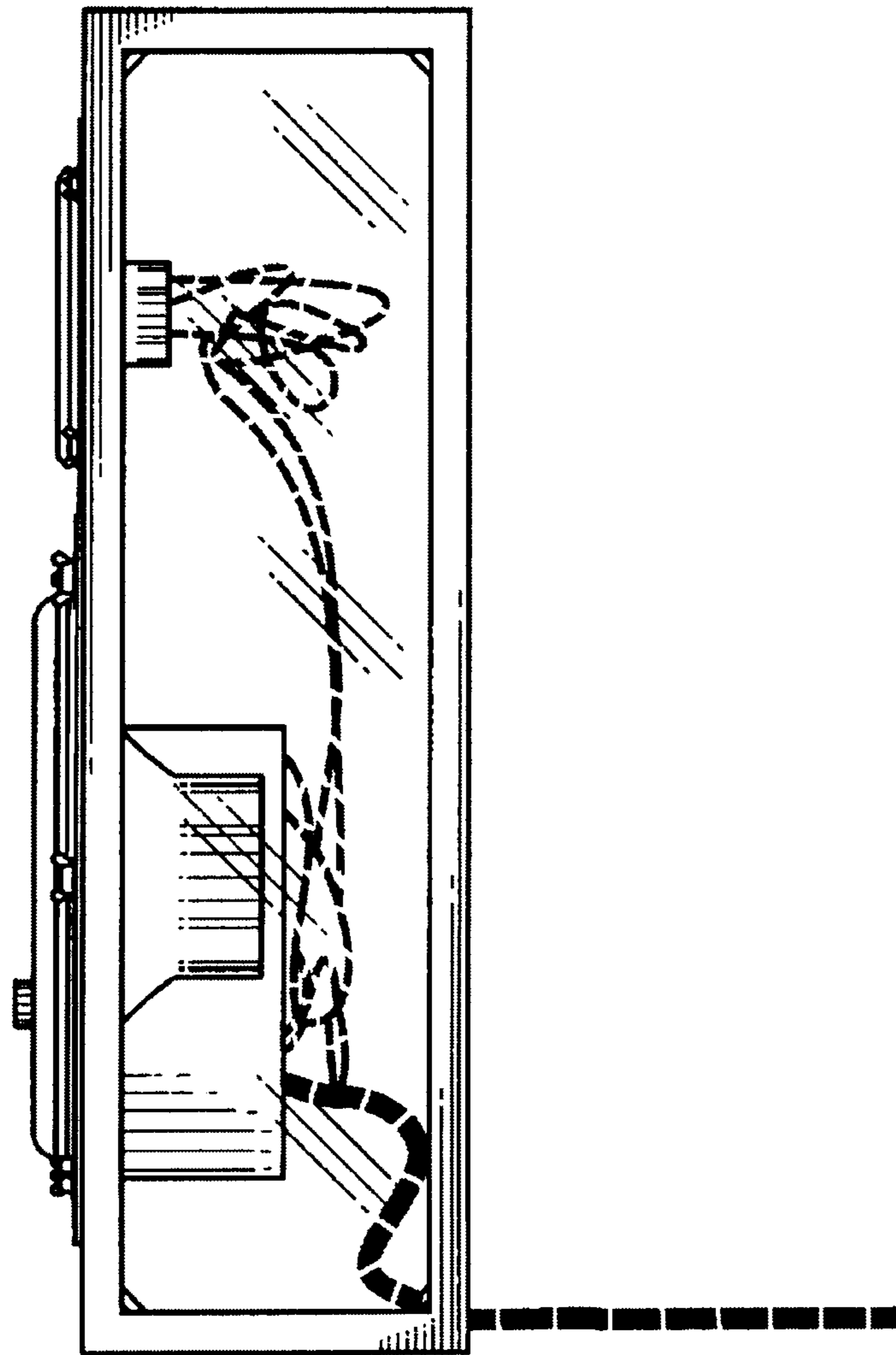


Fig. 4

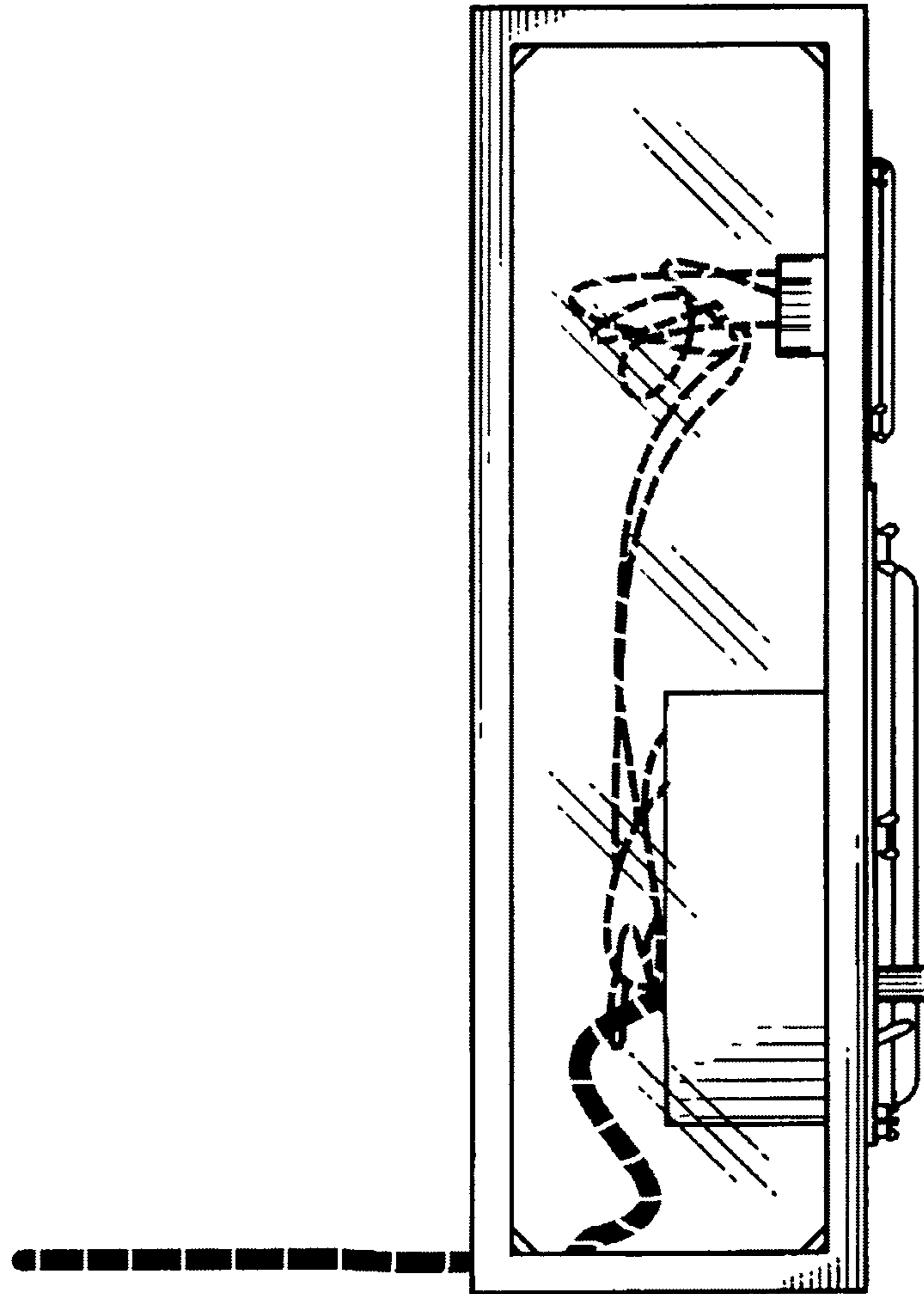


Fig. 5

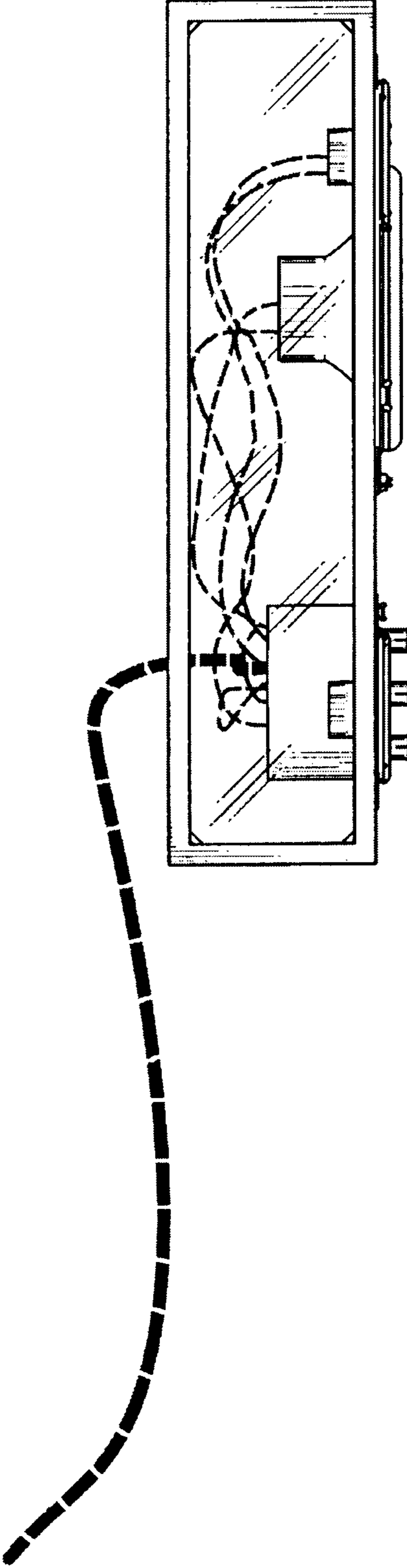


Fig. 6

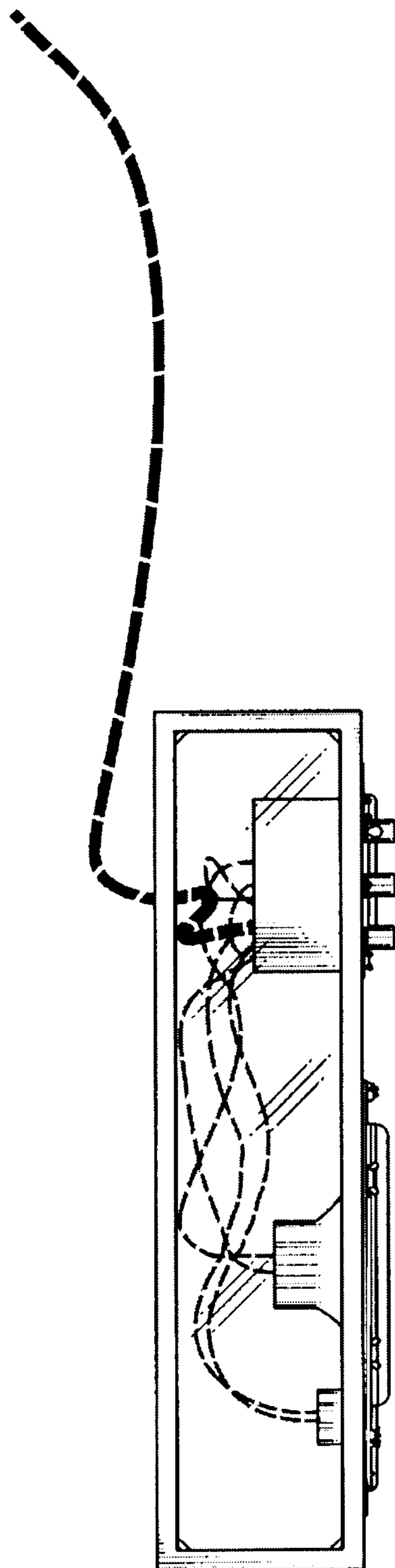


Fig. 7