

US00D697052S

(12) **United States Design Patent**
Loudon et al.

(10) **Patent No.:** **US D697,052 S**
(45) **Date of Patent:** **** Jan. 7, 2014**

(54) **PORTABLE DEVICE WITH STRAP**

(71) Applicant: **Dubgear Inc.**, Etobicoke (CA)

(72) Inventors: **Jonathan Paul Loudon**, Toronto (CA);
Jansen Leslie White, Etobicoke (CA);
Heather Chi-Ying Lam, Toronto (CA);
Kevin Martin Armour, Toronto (CA)

(73) Assignee: **Dubgear Inc.**, Etobicoke (CA)

(**) Term: **14 Years**

(21) Appl. No.: **29/440,461**

(22) Filed: **Dec. 21, 2012**

(51) **LOC (10) Cl.** **14-03**

(52) **U.S. Cl.**
USPC **D14/214**

(58) **Field of Classification Search**
USPC D14/167, 172, 194–196, 204, 207,
D14/209.1, 210–216, 221, 222; 181/143,
181/144, 147, 148, 150, 153, 157, 198,
181/199; 381/300–303, 306, 332, 333, 336,
381/345, 361–364, 386–388; D3/215, 218;
D11/200

See application file for complete search history.

(56) **References Cited**

U.S. PATENT DOCUMENTS

D367,761 S *	3/1996	Knutson	D3/327
D379,093 S *	5/1997	Vollum et al.	D14/216
D551,455 S *	9/2007	Norvell	D3/306
D555,145 S *	11/2007	Roy	D14/167
D563,386 S *	3/2008	Foster	D14/214
D572,704 S *	7/2008	Chang	D14/214
D578,106 S *	10/2008	Shimizu	D14/214
D578,107 S *	10/2008	Shimizu	D14/214
D590,811 S *	4/2009	Pauschitz et al.	D14/215
D594,002 S *	6/2009	Kettula	D14/240
D597,064 S *	7/2009	Machida	D14/167
D629,192 S *	12/2010	Pueblo	D3/218

D631,650 S *	2/2011	Li	D3/218
D645,024 S *	9/2011	Behar et al.	D14/214
D652,019 S *	1/2012	Behar et al.	D14/214
D652,020 S *	1/2012	Behar et al.	D14/214
D655,689 S *	3/2012	Behar et al.	D14/214
D661,687 S *	6/2012	Yoshiizumi	D14/214
D674,777 S *	1/2013	Tsai	D14/209.1
D678,244 S *	3/2013	Behar et al.	D14/214
D678,865 S *	3/2013	Behar et al.	D14/214

* cited by examiner

Primary Examiner — Keli L Hill

(74) *Attorney, Agent, or Firm* — Anil Bhole

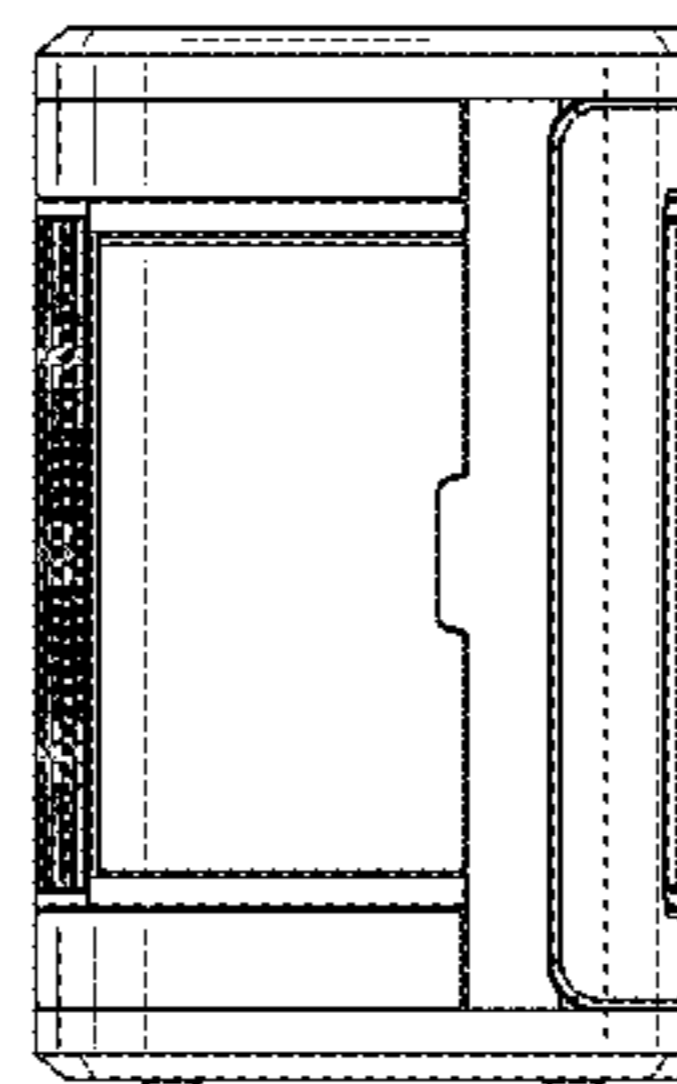
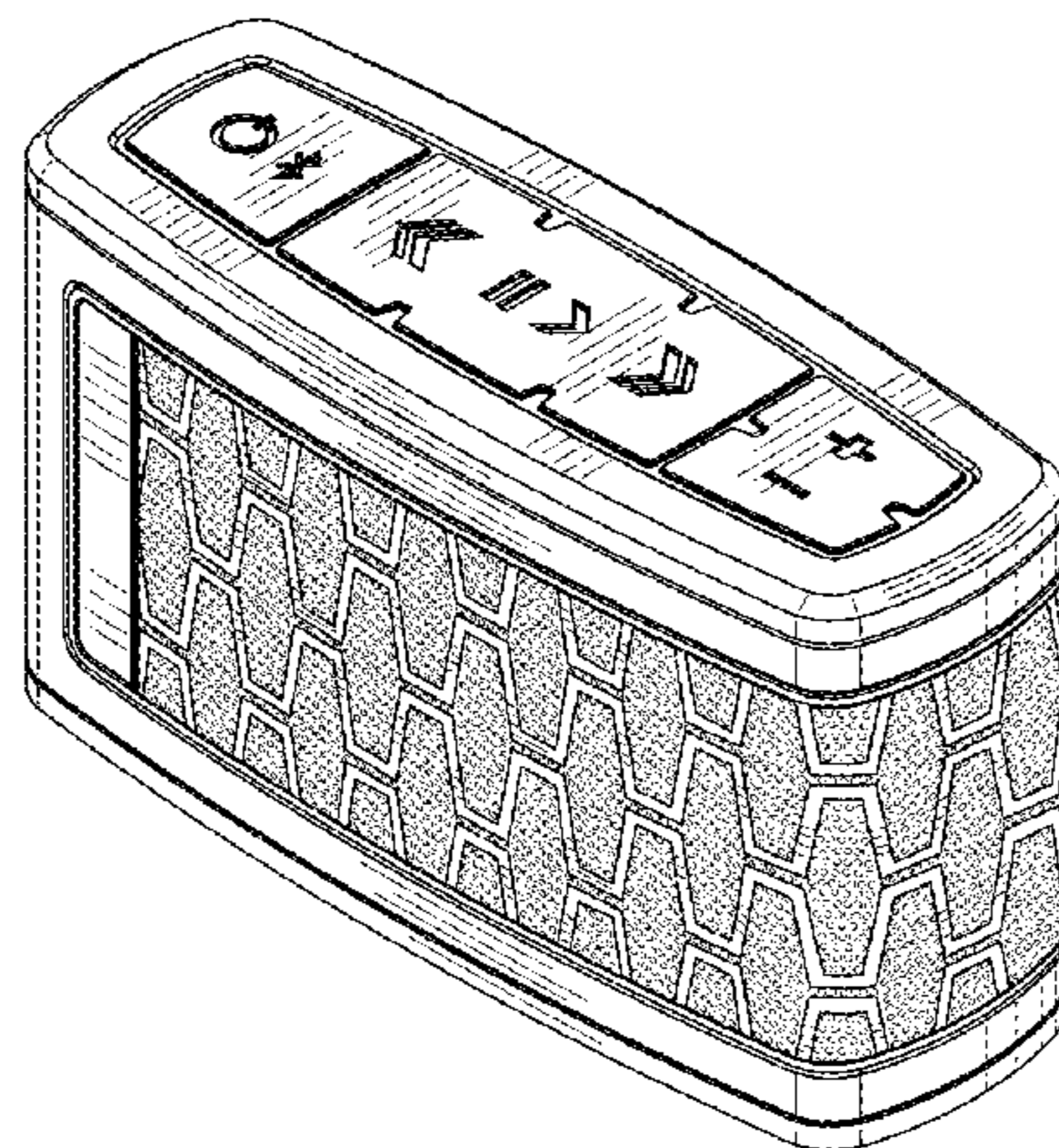
(57) **CLAIM**

The ornamental design for the portable device with strap, as shown, or as shown and described.

DESCRIPTION

FIG. 1 is a front perspective view of a portable device with strap furled;
 FIG. 2 is a front view of the portable device with strap;
 FIG. 3 is a rear view of the portable device with strap;
 FIG. 4 is a side view of the portable device with strap;
 FIG. 5 is an opposing side view of the portable device with strap;
 FIG. 6 is a top view of the portable device with strap;
 FIG. 7 is a bottom view of the portable device with strap;
 FIG. 8 is a front perspective view of the portable device with strap partially unfurled;
 FIG. 9 is a front perspective view of the portable device with strap fully unfurled;
 FIG. 10 is a front perspective view of the portable device hanging from its strap;
 FIG. 11 is a front perspective view of the portable device looped through and hanging from its strap; and,
 FIG. 12 is a front perspective view of the portable device affixed to an article by its strap.
 The broken lines shown in FIGS. 10-12 environment of the article and forms no part of the claimed design.

1 Claim, 4 Drawing Sheets



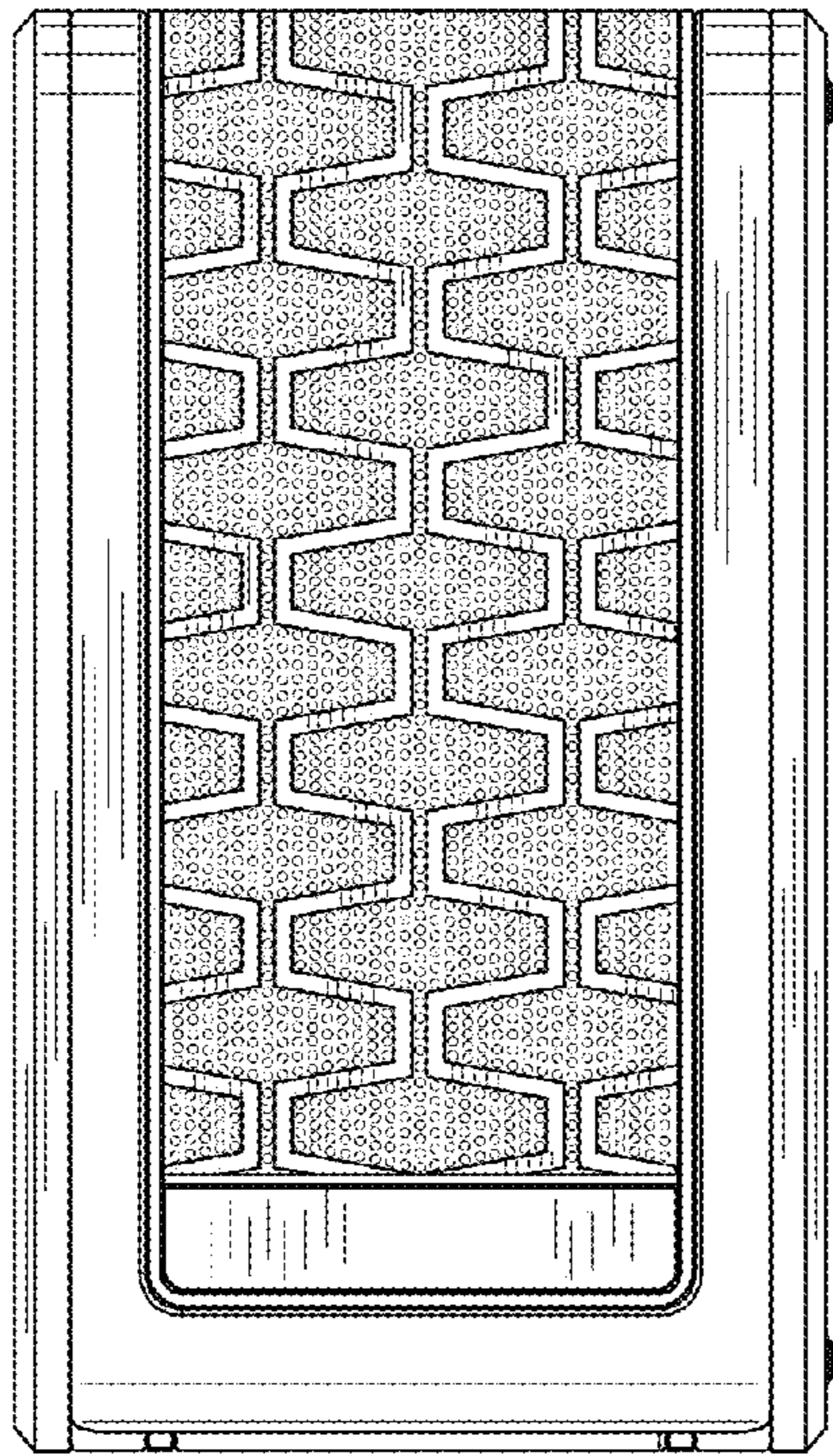


FIG. 2

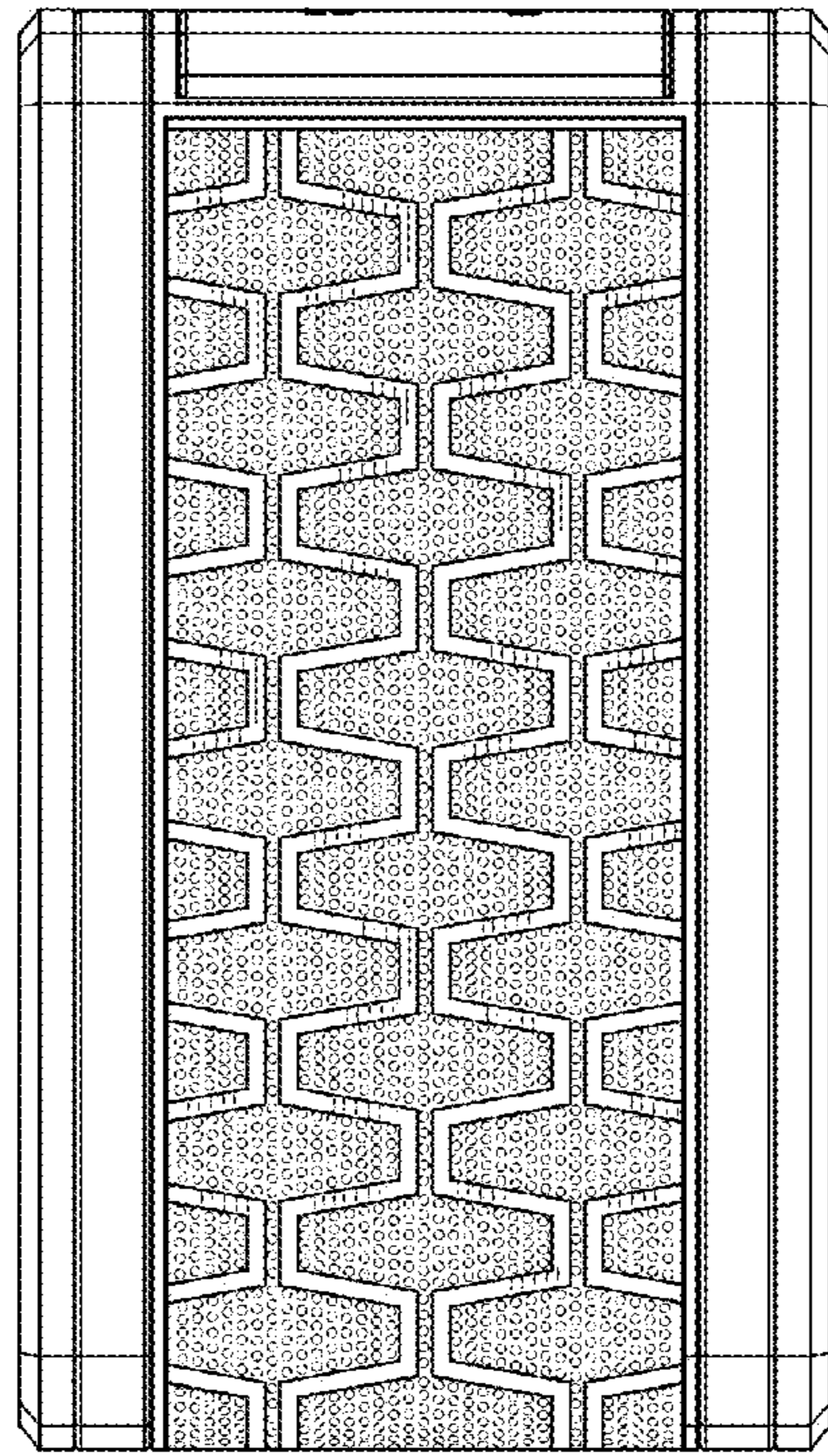


FIG. 3

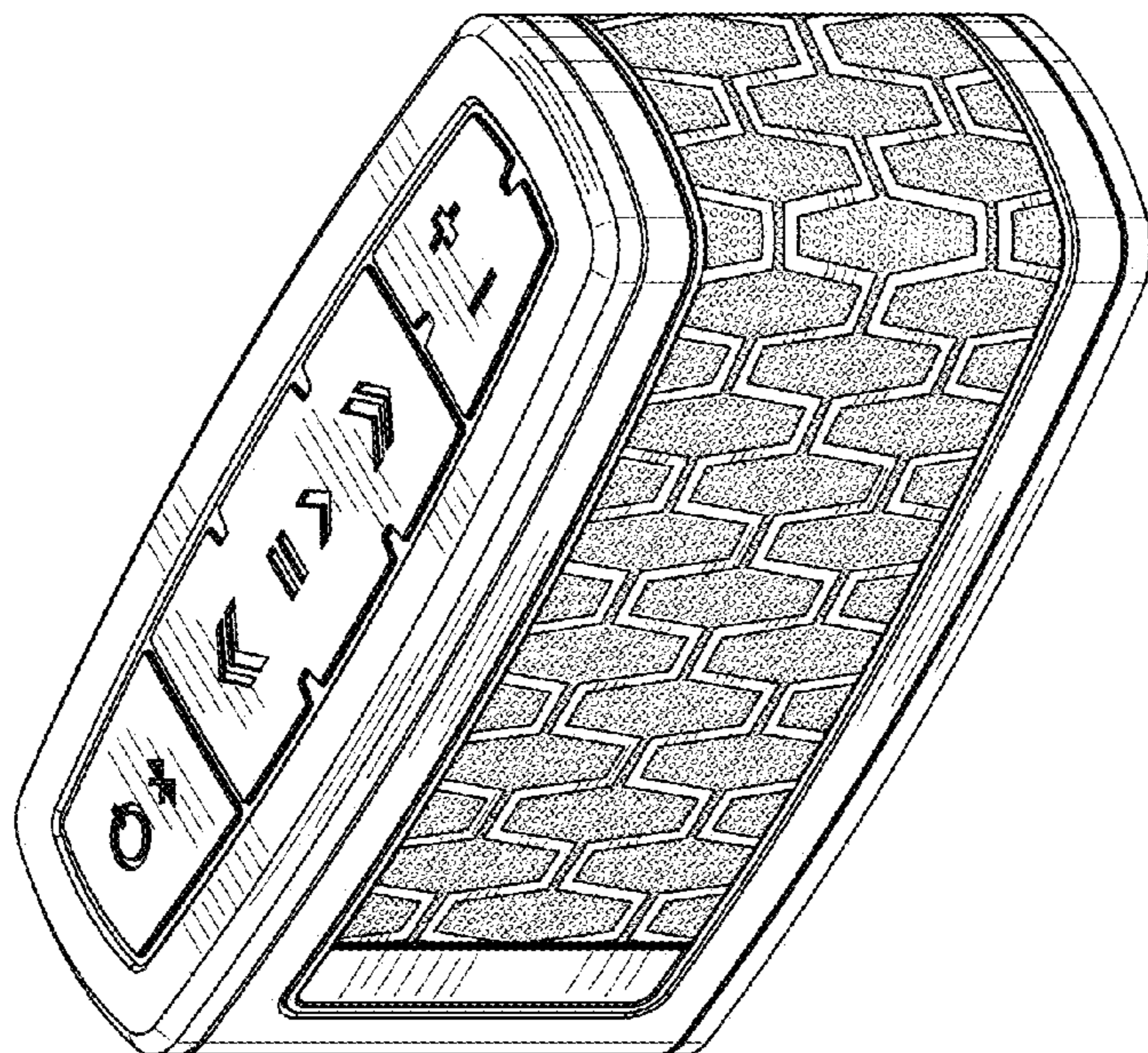


FIG. 1

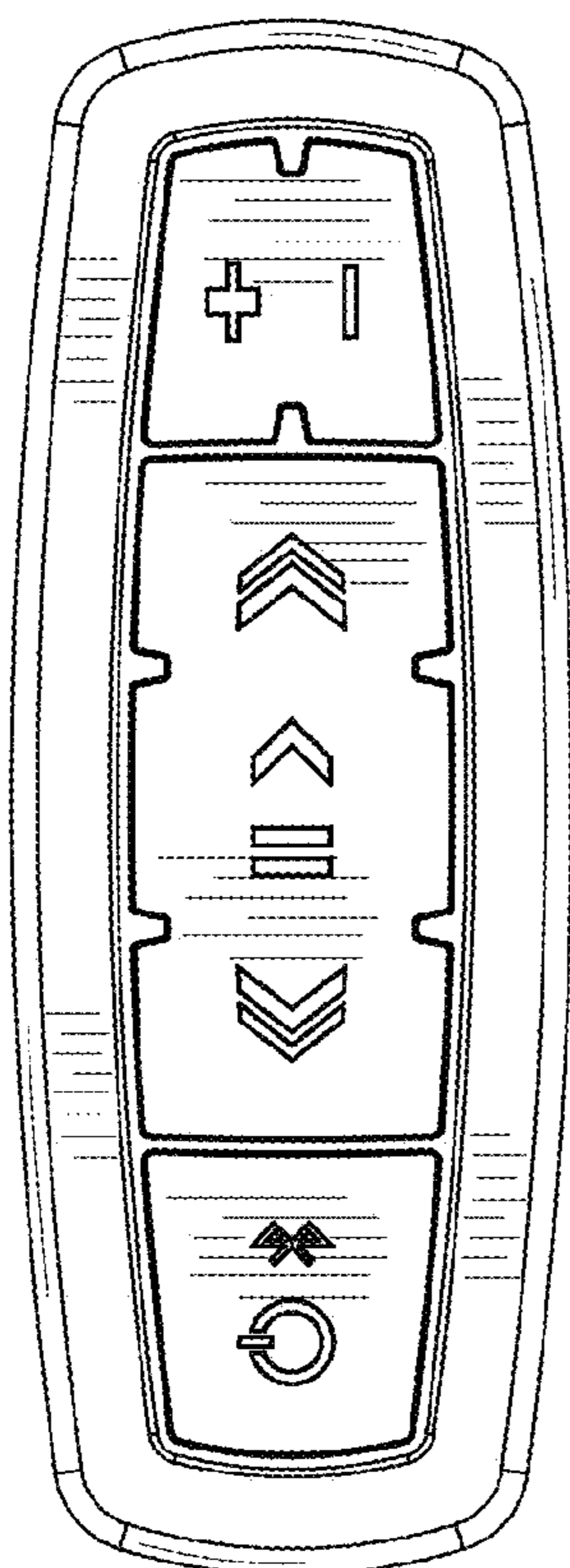


FIG. 6

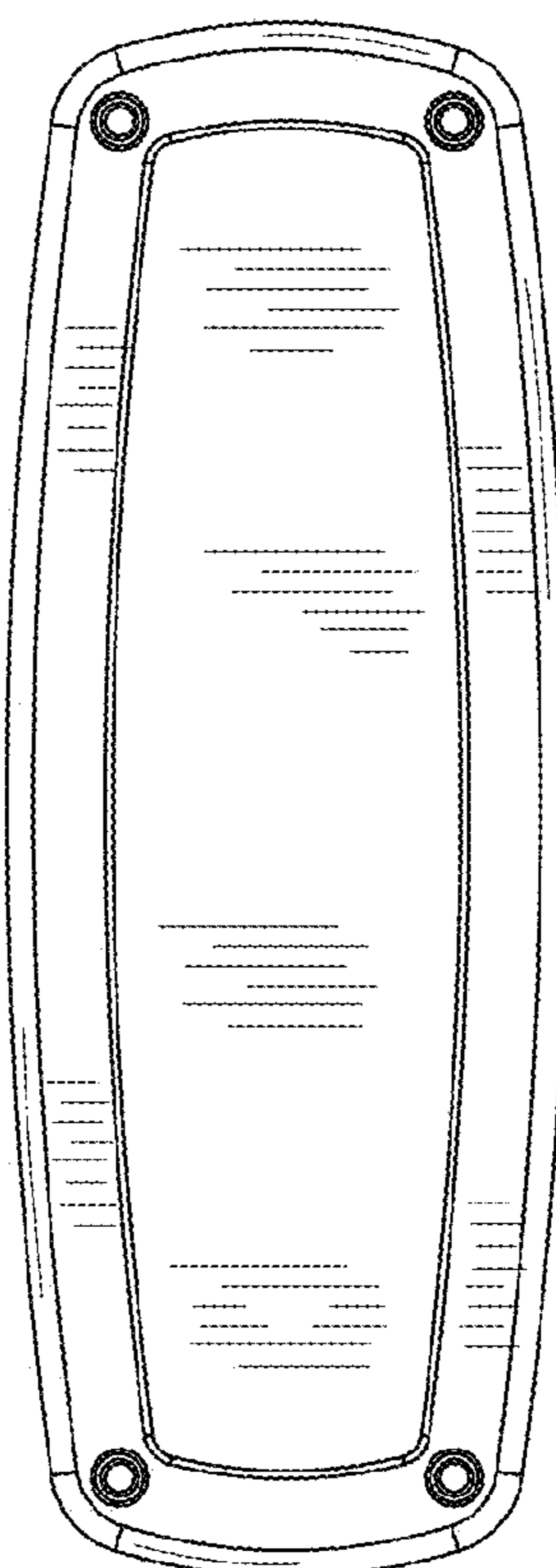


FIG. 7

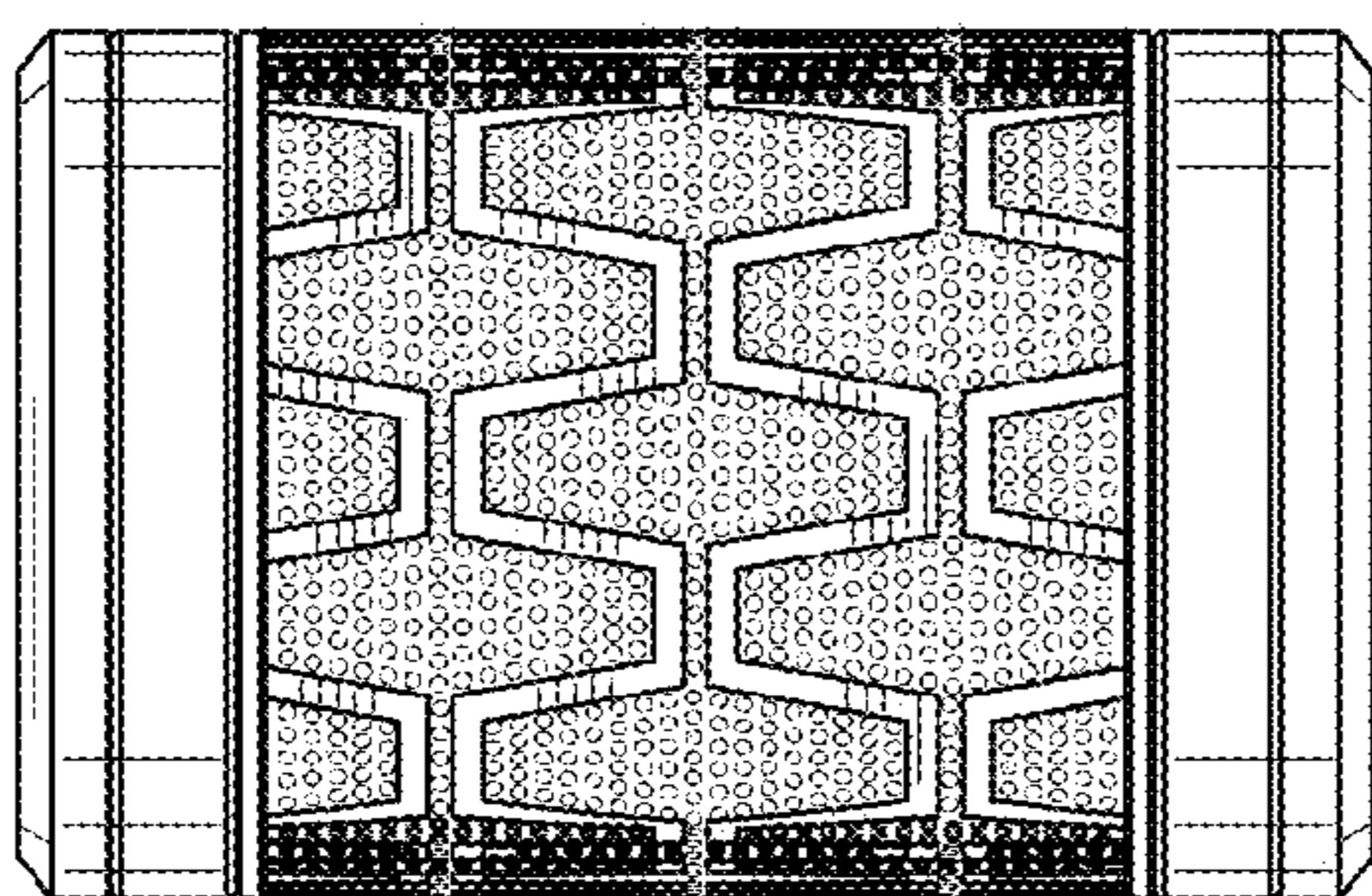


FIG. 5

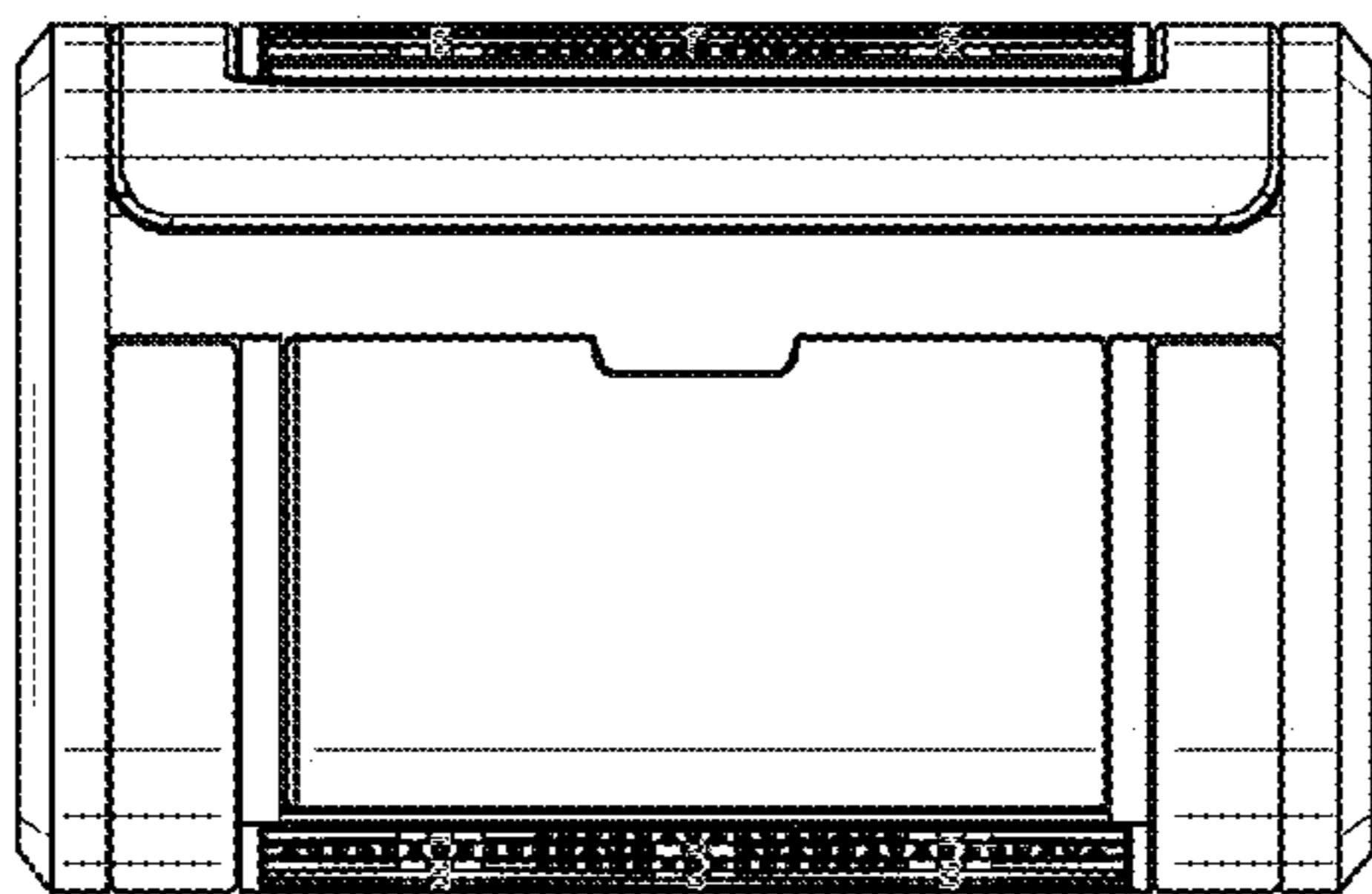


FIG. 4

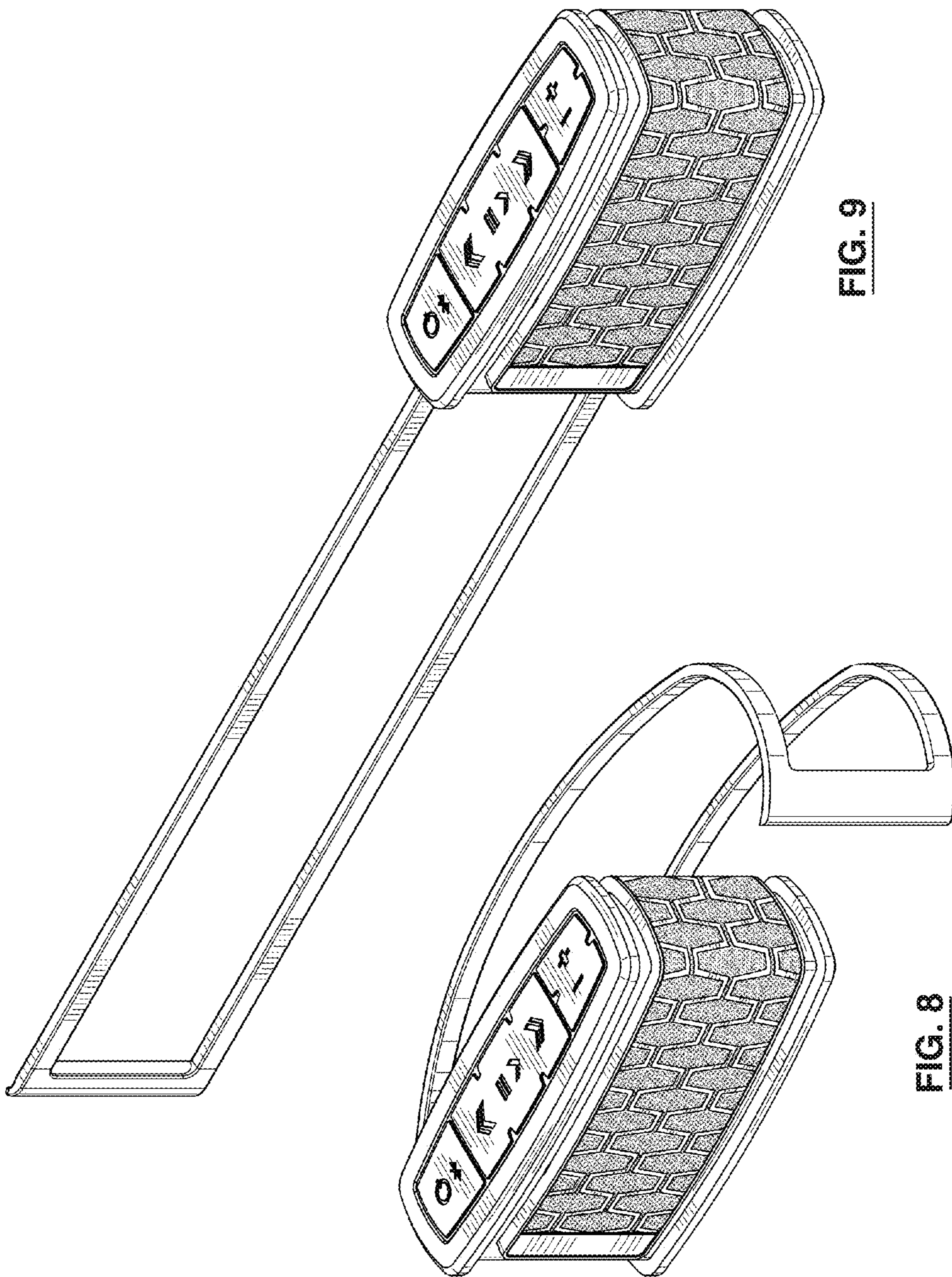


FIG. 9

FIG. 8

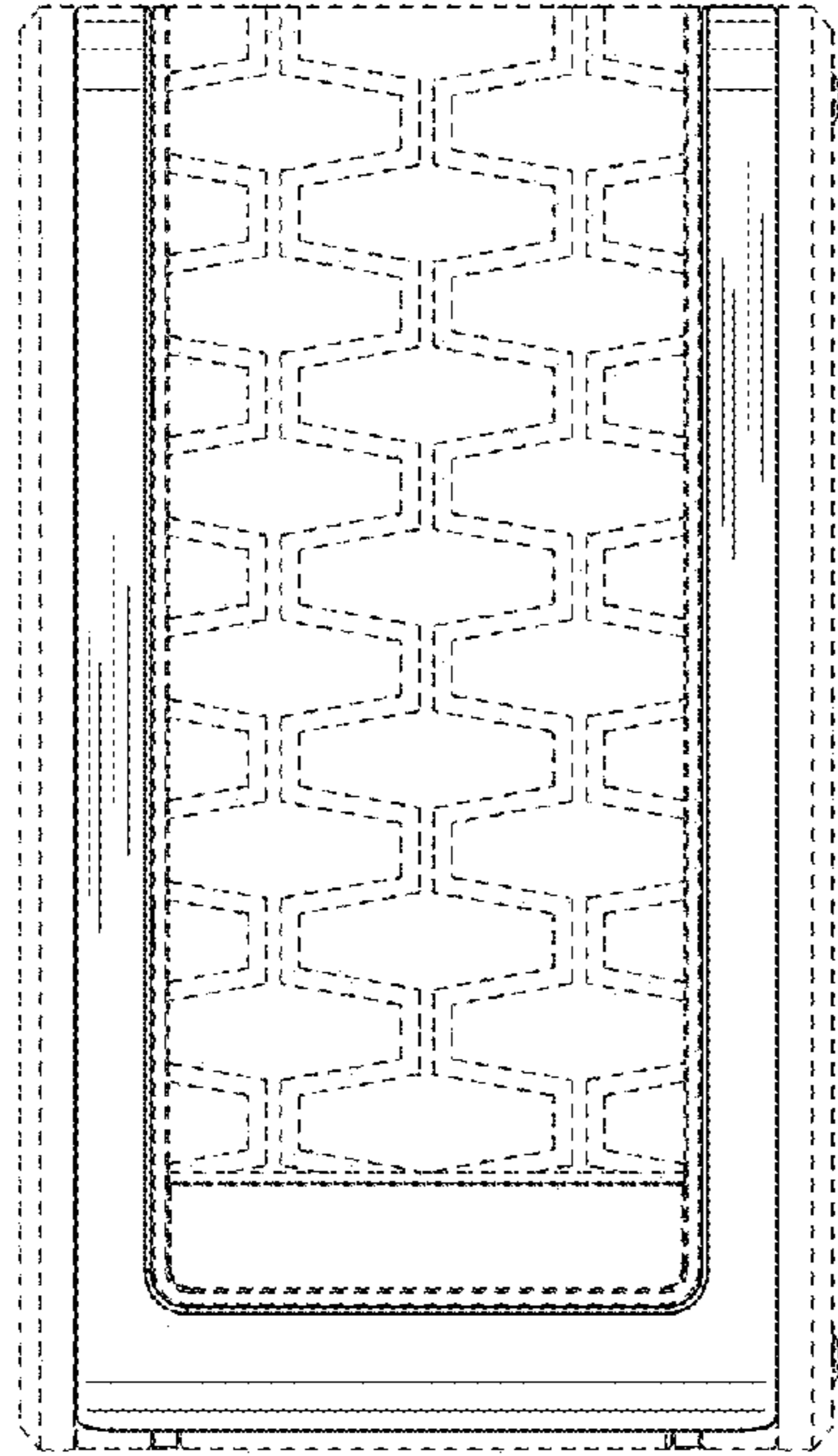


FIG. 11

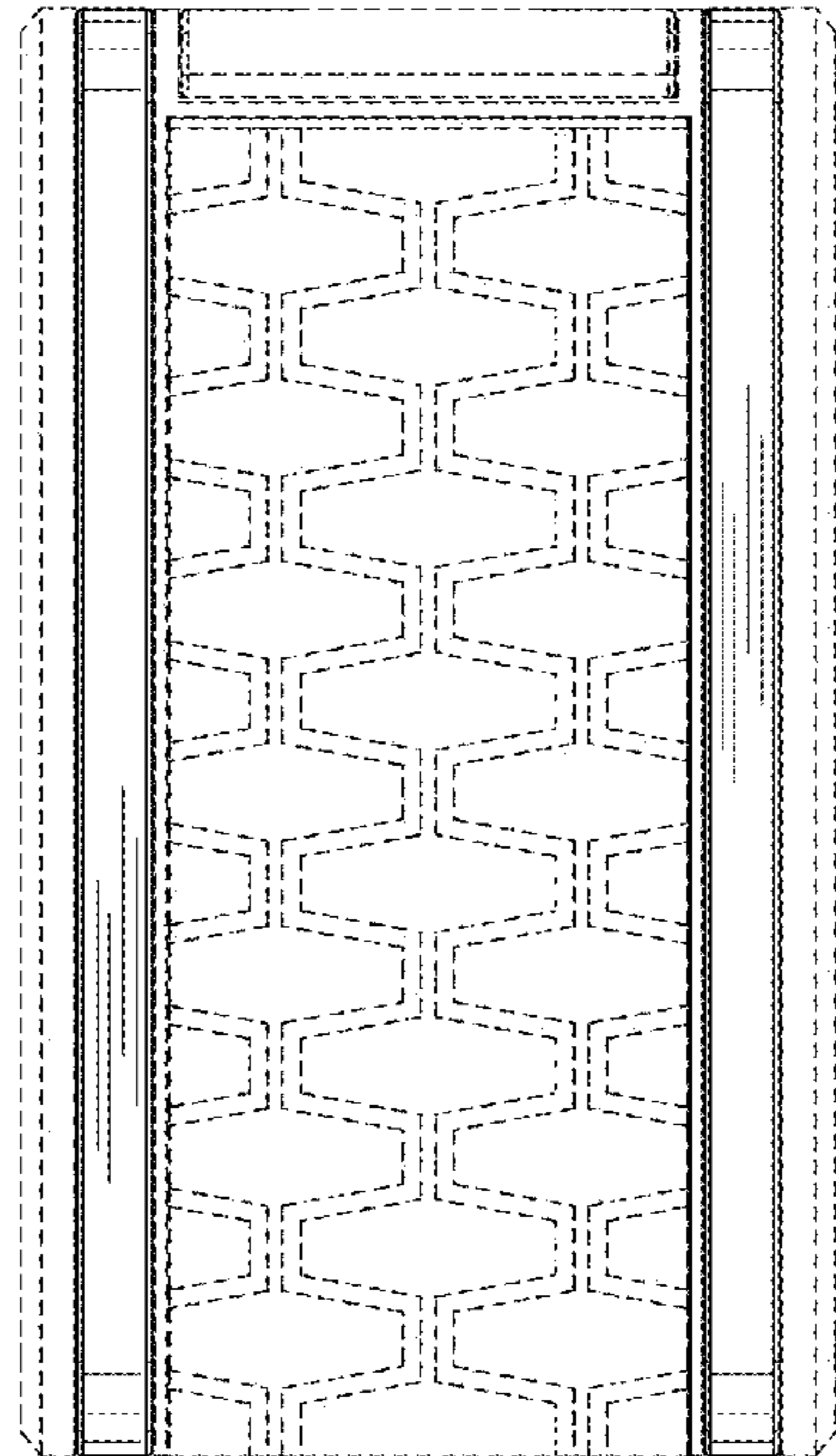


FIG. 12

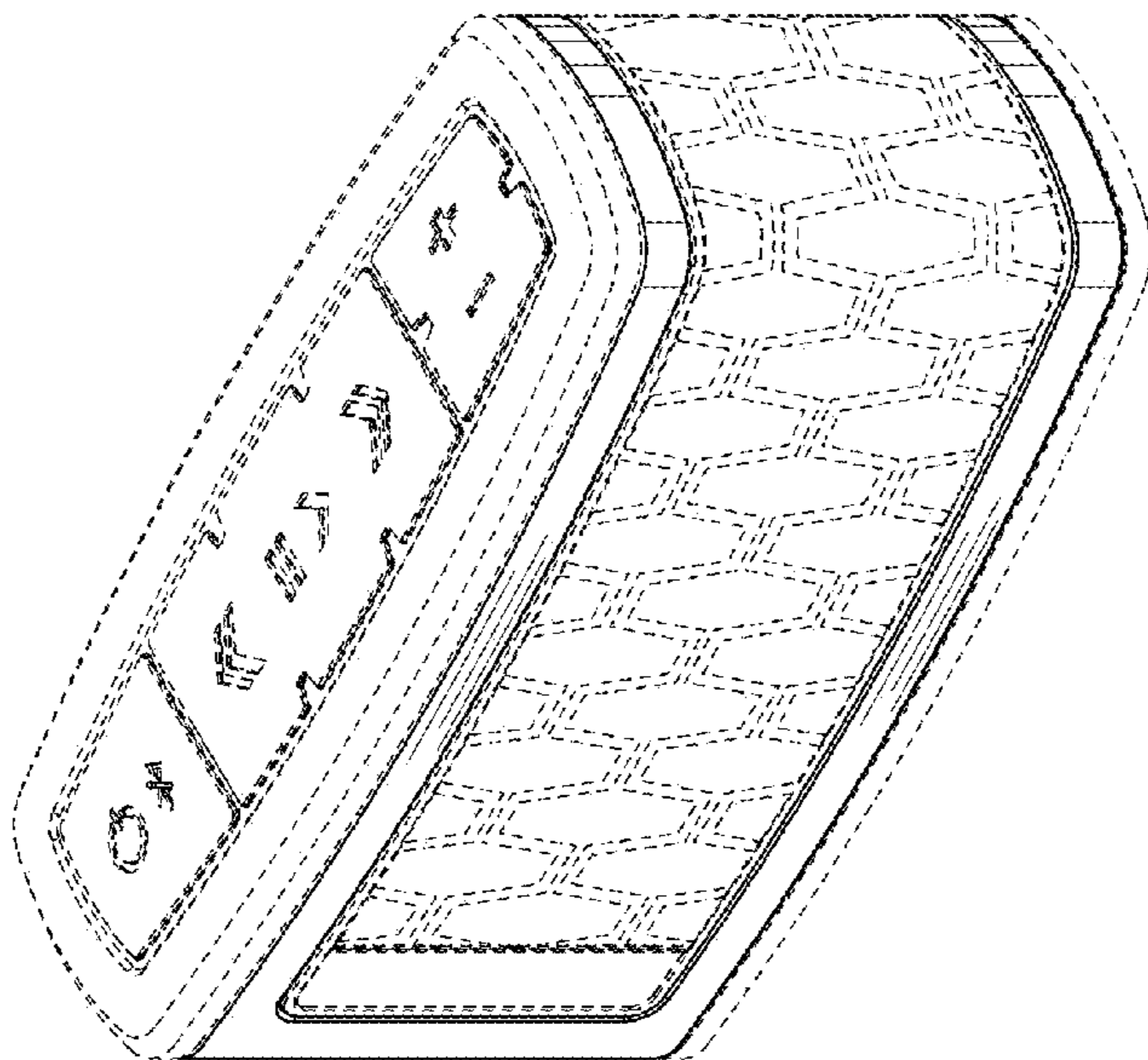


FIG. 10

UNITED STATES PATENT AND TRADEMARK OFFICE
CERTIFICATE OF CORRECTION

PATENT NO. : D697,052 S
APPLICATION NO. : 29/440461
DATED : January 7, 2014
INVENTOR(S) : Jonathan Paul Loudon et al.

Page 1 of 3

It is certified that error appears in the above-identified patent and that said Letters Patent is hereby corrected as shown below:

In the Drawings:

The Drawing Sheet 4 has been deleted and substituted with the Drawing Sheets shown on the attached pages.

Signed and Sealed this
Twenty-ninth Day of April, 2014



Michelle K. Lee
Deputy Director of the United States Patent and Trademark Office

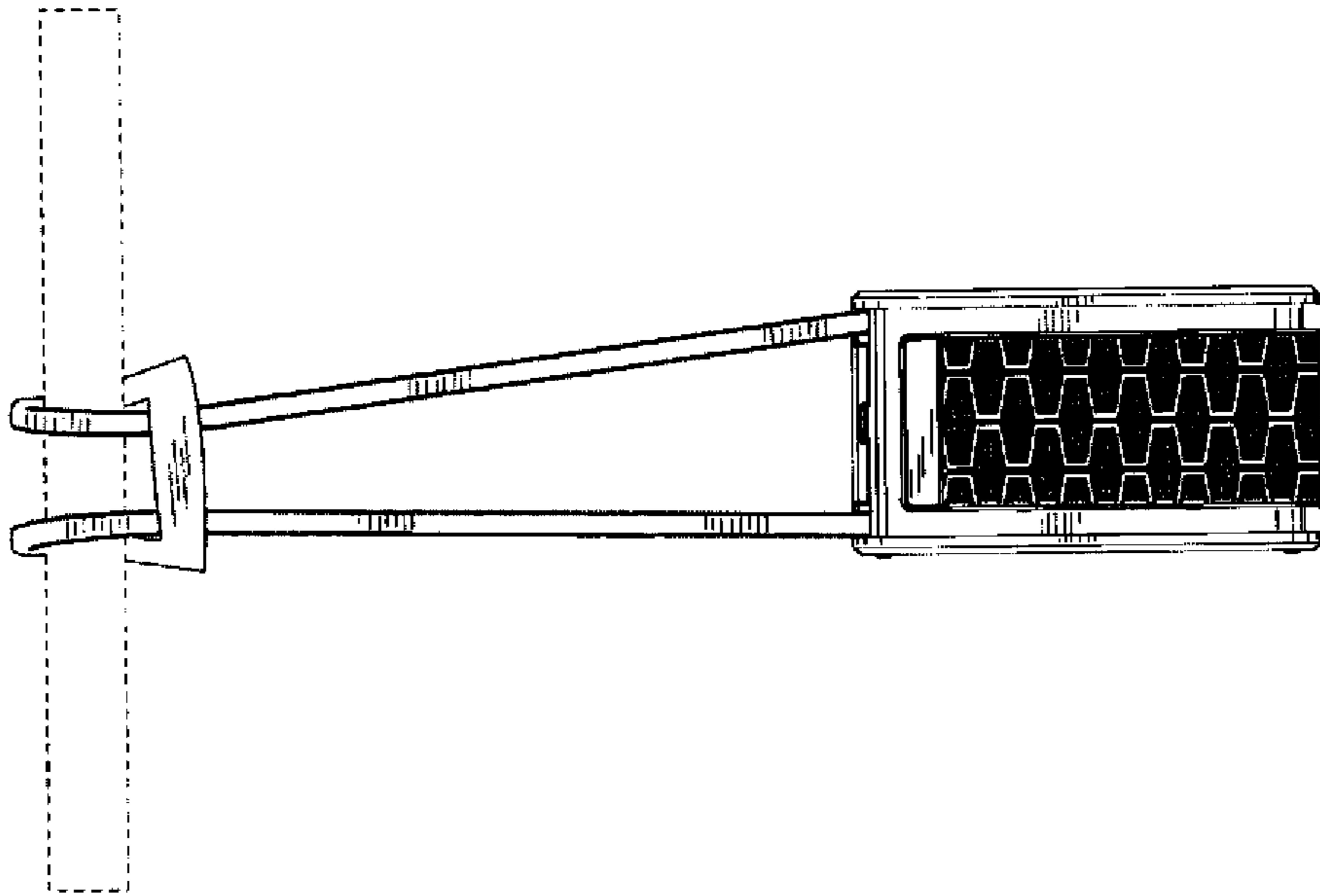


FIG. 11

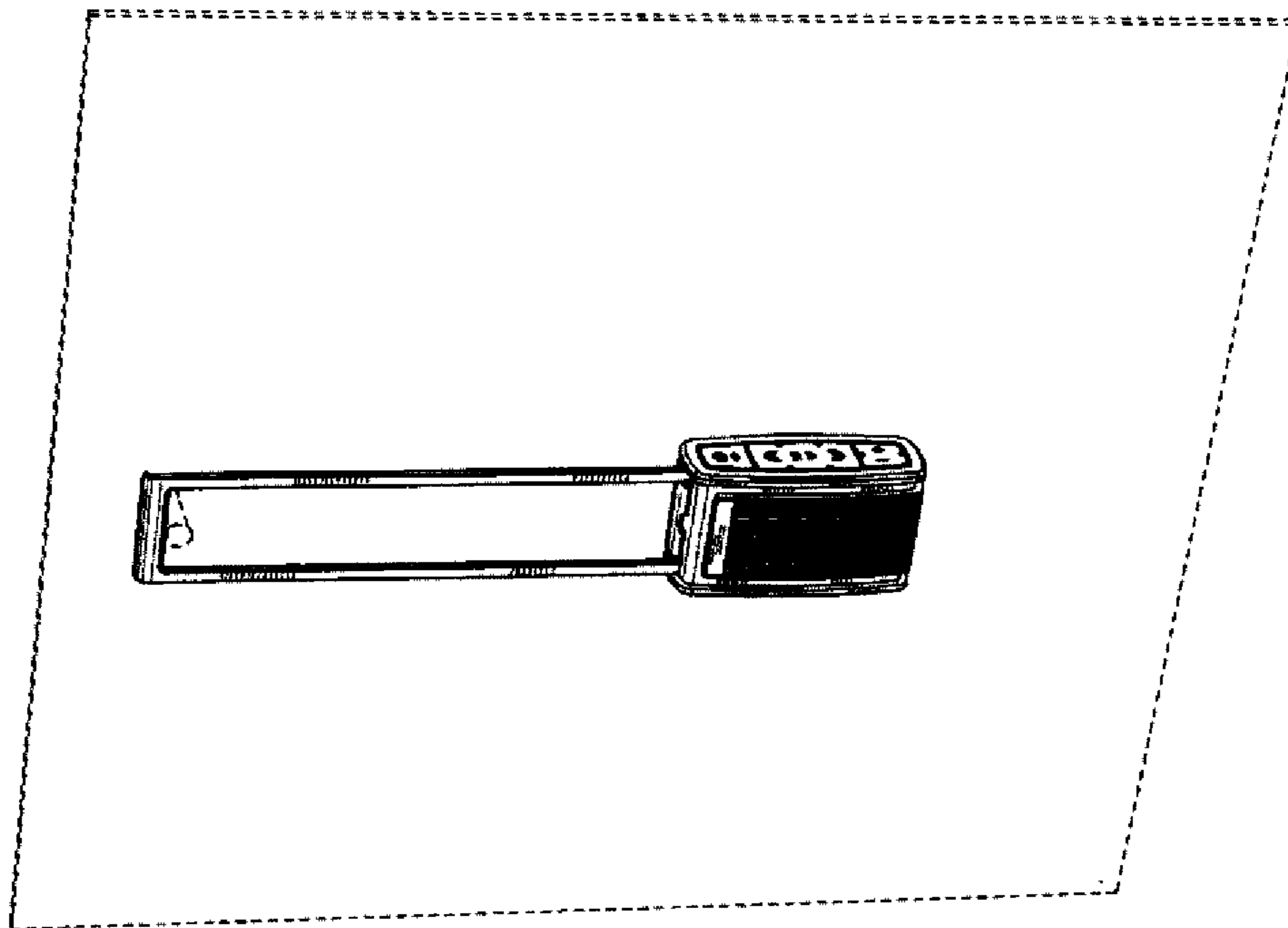


FIG. 10

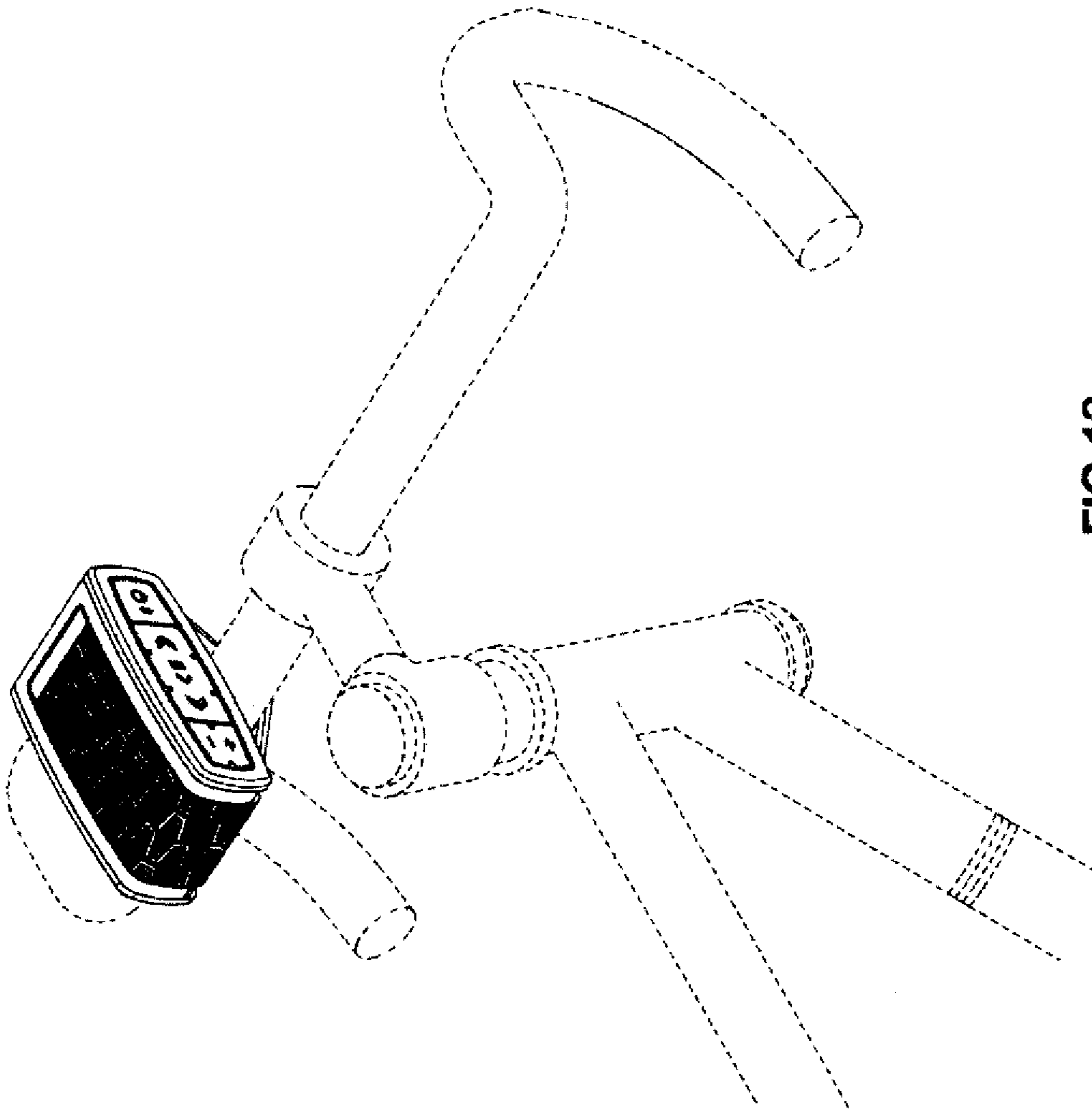


FIG. 12