



US00D697051S

(12) **United States Design Patent**
Adams et al.

(10) **Patent No.:** **US D697,051 S**
(45) **Date of Patent:** **** Jan. 7, 2014**

(54) **WIRELESS SPEAKER SYSTEM WITH
TABLET STAND**

(71) Applicant: **BBY Solutions, Inc.**, Richfield, MN
(US)

(72) Inventors: **Gregory Adams**, Lonsdale, MN (US);
Joseph Westrup, Vancouver, WA (US);
Chan Kei Lee, TaiWai (HK)

(73) Assignee: **BBY Solutions, Inc.**, Richfield, MN
(US)

(**) Term: **14 Years**

(21) Appl. No.: **29/435,335**

(22) Filed: **Oct. 23, 2012**

(51) **LOC (10) Cl.** **14-01**

(52) **U.S. Cl.**
USPC **D14/209.1**

(58) **Field of Classification Search**
USPC D14/204, 207, 209.1, 210–216, 172,
D14/168, 356, 474, 496, 137, 188, 203.1,
D14/265; 181/143, 144, 147, 148, 150–153,
181/157, 198, 199; 381/300–303, 306, 332,
381/333, 336, 345, 361–364, 386–388
See application file for complete search history.

(56) **References Cited**

U.S. PATENT DOCUMENTS

6,157,958 A 12/2000 Armitage et al.
6,882,524 B2 4/2005 Ulla et al.

D560,209 S * 1/2008 Kim et al. D14/215
D603,373 S * 11/2009 Jiang D14/215
7,952,569 B2 5/2011 Hunt et al.
D645,843 S * 9/2011 Bolton D14/209.1
D645,847 S * 9/2011 Chau D14/217
D647,502 S * 10/2011 Holzer D14/171
D656,482 S * 3/2012 Colquhoun D14/209.1
8,180,095 B2 * 5/2012 Zhang 381/387
8,242,899 B2 * 8/2012 Albert et al. 340/506
D671,528 S * 11/2012 Fathollahi D14/216
D687,011 S * 7/2013 Bolton D14/209.1
D687,809 S * 8/2013 Bergmann et al. D14/209.1
2007/0047198 A1 3/2007 Crooijmans et al.
2010/0062615 A1 3/2010 Prest
2011/0267773 A1 11/2011 Macfarlane

* cited by examiner

Primary Examiner — Prabhakar Deshmukh

(74) *Attorney, Agent, or Firm* — Beck & Tysver PLLC

(57) **CLAIM**

The ornamental design for a wireless speaker system with tablet stand, as shown.

DESCRIPTION

FIG. 1 is a front perspective view of the wireless speaker system with tablet stand.
FIG. 2 is a front elevational view thereof.
FIG. 3 is a side elevational view thereof.
FIG. 4 is a rear elevational view thereof.
FIG. 5 is a top plan view thereof; and,
FIG. 6 is a bottom plan view thereof.
The broken lines are for illustrative purpose only and form no part of the claimed design.

1 Claim, 3 Drawing Sheets

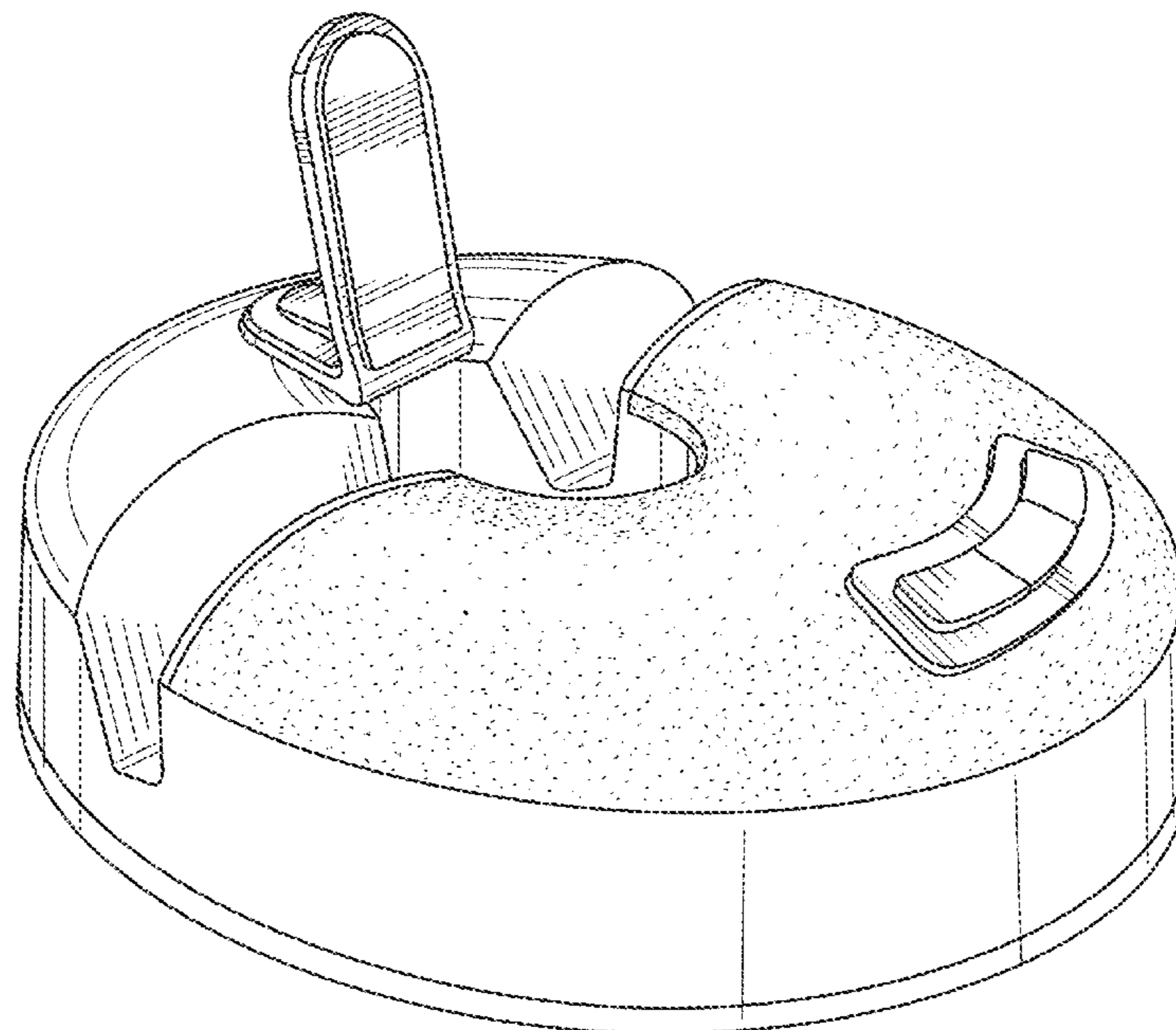


Fig. 1

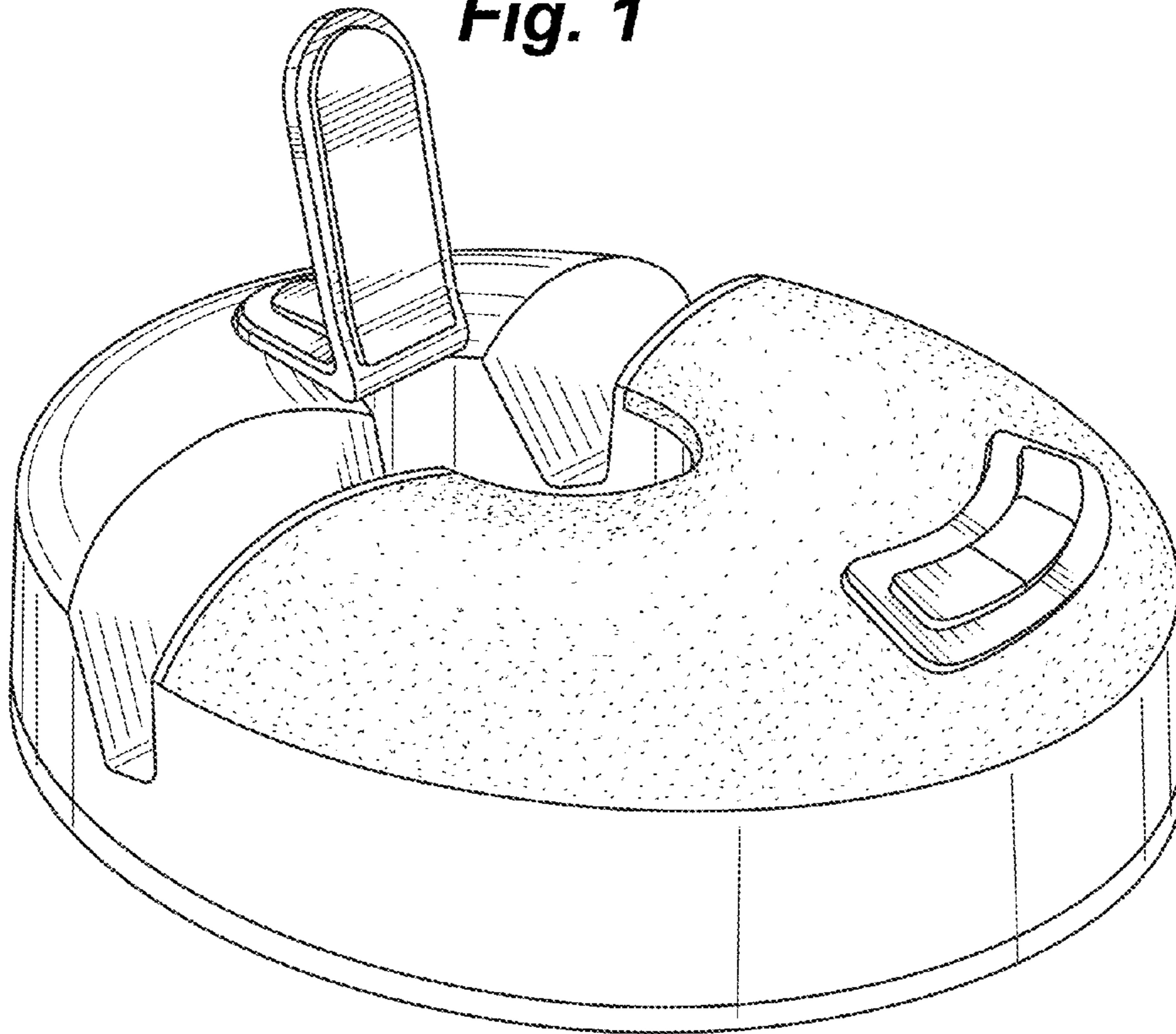


Fig. 2

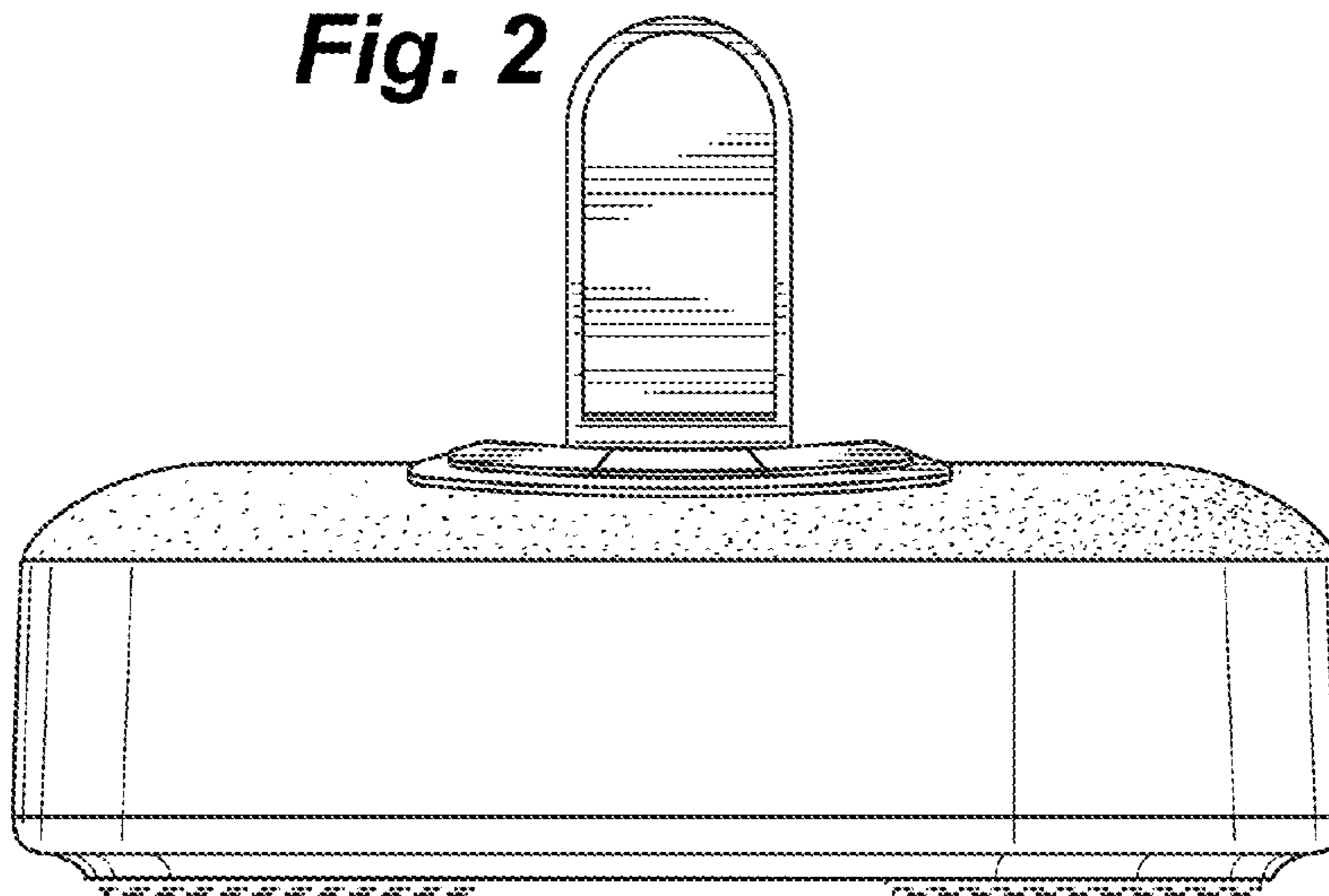


Fig. 3

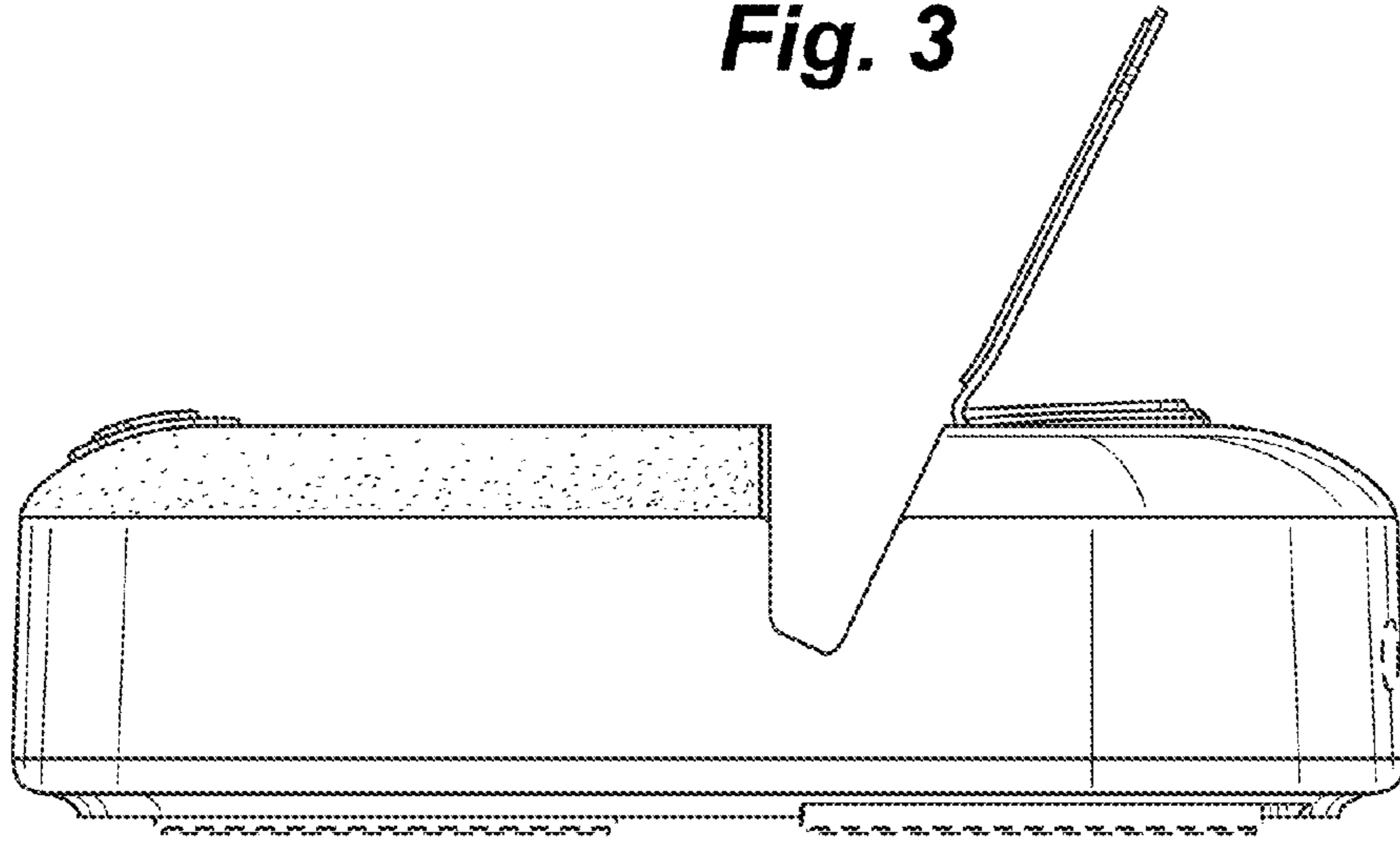


Fig. 4

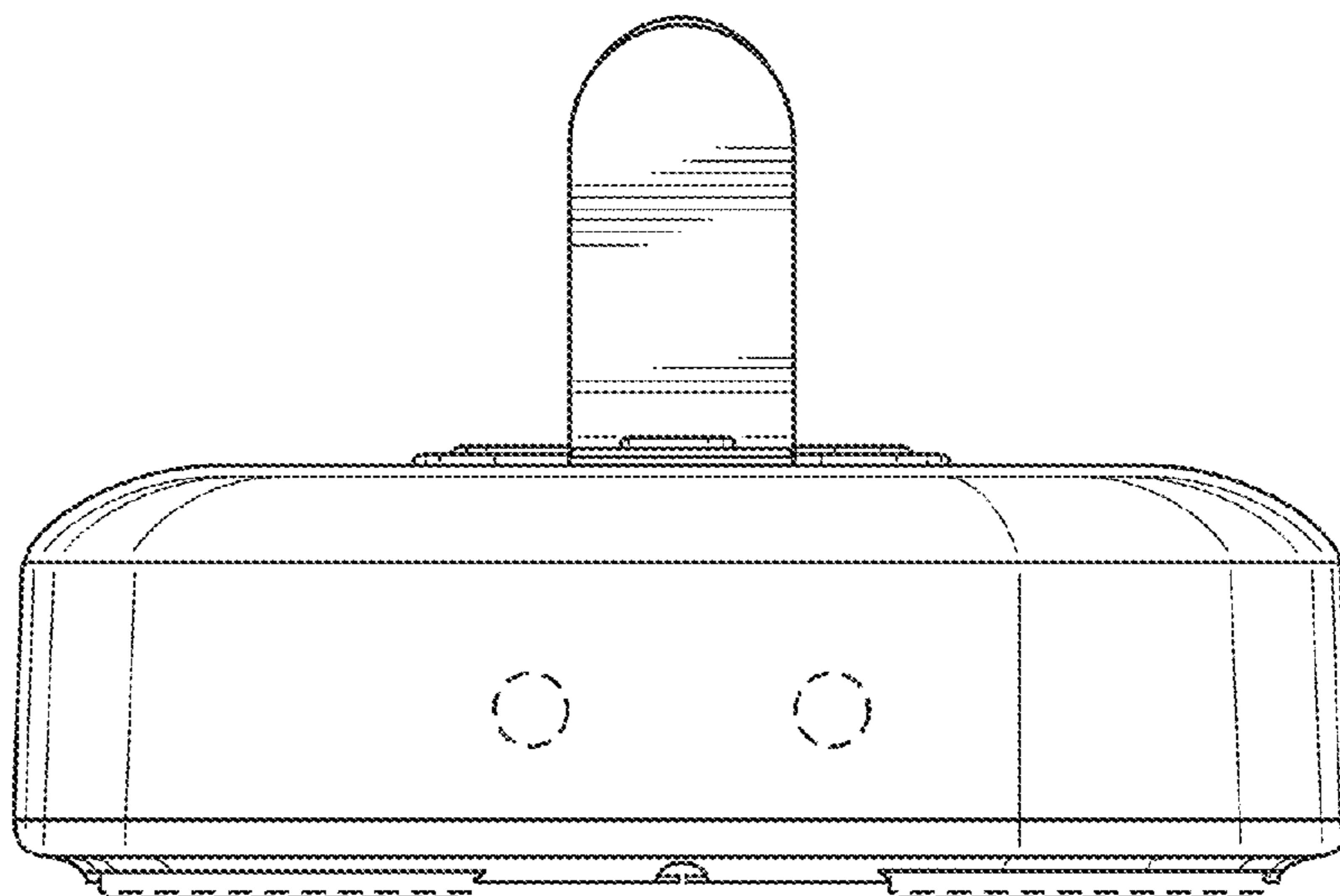


Fig. 5

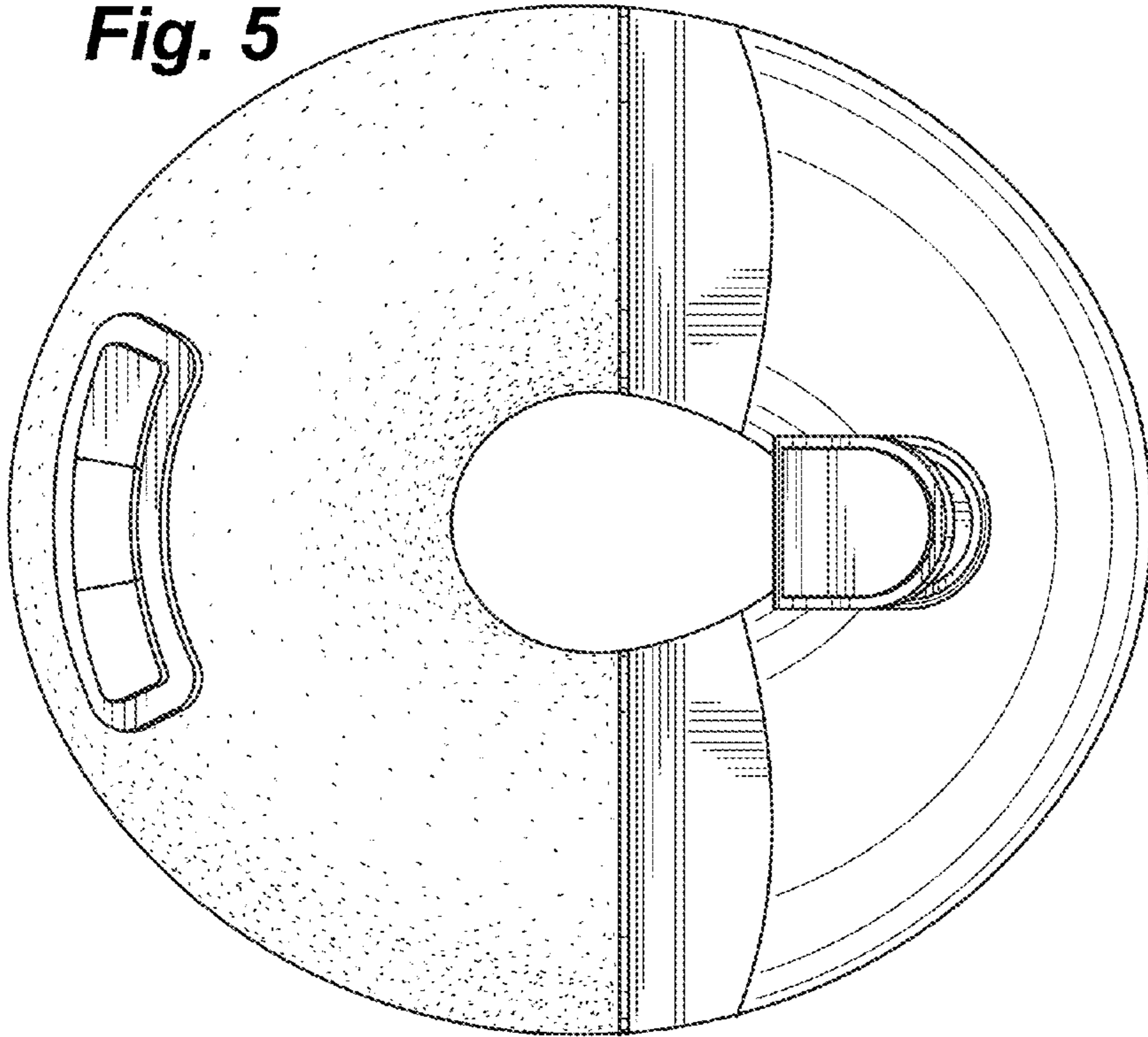


Fig. 6

