



US00D697050S

(12) **United States Design Patent**
Thompson et al.

(10) **Patent No.:** **US D697,050 S**
(45) **Date of Patent:** **** Jan. 7, 2014**

(54) **HEADSET**

(71) Applicants: **AAC Acoustic Technologies**
(Shenzhen) Co., Ltd., Shenzhen (CN);
AAC Technologies Holdings Inc.,
Cayman Islands (GB)

(72) Inventors: **Roy Alden Thompson**, Dorchester, MA
(US); **Kai Chun Yang**, McLean, VA
(US)

(73) Assignees: **AAC Acoustic Technologies**
(Shenzhen) Co., Ltd., Shenzhen (CN);
AAC Technologies Holdings Inc.,
Cayman (GB)

(**) Term: **14 Years**

(21) Appl. No.: **29/437,259**

(22) Filed: **Nov. 14, 2012**

(51) **LOC (10) Cl.** **14-01**

(52) **U.S. Cl.**
USPC **D14/206; D14/223**

(58) **Field of Classification Search**
USPC D14/205, 206, 223; 181/129, 130, 135;
379/430, 431; 381/375, 380, 381;
455/90.3, 575.1

See application file for complete search history.

(56) **References Cited**

U.S. PATENT DOCUMENTS

D316,550 S * 4/1991 Sogabe D14/168
D337,589 S * 7/1993 Wada D14/223
D340,932 S * 11/1993 Yan D14/249
5,410,608 A * 4/1995 Lucey et al. 381/360

D357,921 S * 5/1995 Ming-Chin D14/223
D469,753 S * 2/2003 Andre et al. D14/205
6,574,345 B1 * 6/2003 Huang 381/380
D523,846 S * 6/2006 Lee D14/205
D554,109 S * 10/2007 Ledbetter et al. D14/223
D554,627 S * 11/2007 Gondo D14/223
D555,152 S * 11/2007 Wang D14/223
D556,741 S * 12/2007 Yeo D14/223
D575,269 S * 8/2008 Ledbetter et al. D14/205
D583,804 S * 12/2008 Mahler et al. D14/223
D604,272 S * 11/2009 Kitayama D14/223
D641,008 S * 7/2011 Lee et al. D14/223
D641,738 S * 7/2011 Perez D14/223
D643,417 S * 8/2011 Lee et al. D14/223
D671,531 S * 11/2012 Kim D14/223
D673,531 S * 1/2013 Lee et al. D14/223

* cited by examiner

Primary Examiner — Paula Greene

(74) *Attorney, Agent, or Firm* — Anova Law Group, PLLC

(57) **CLAIM**

We claim the ornamental design for a headset, as shown and described.

DESCRIPTION

FIG. 1 is a front perspective view of a headset showing out new design;

FIG. 2 is a back perspective view of a headset;

FIG. 3 is a front elevational view thereof;

FIG. 4 is a back elevational view thereof;

FIG. 5 is a left elevational view thereof;

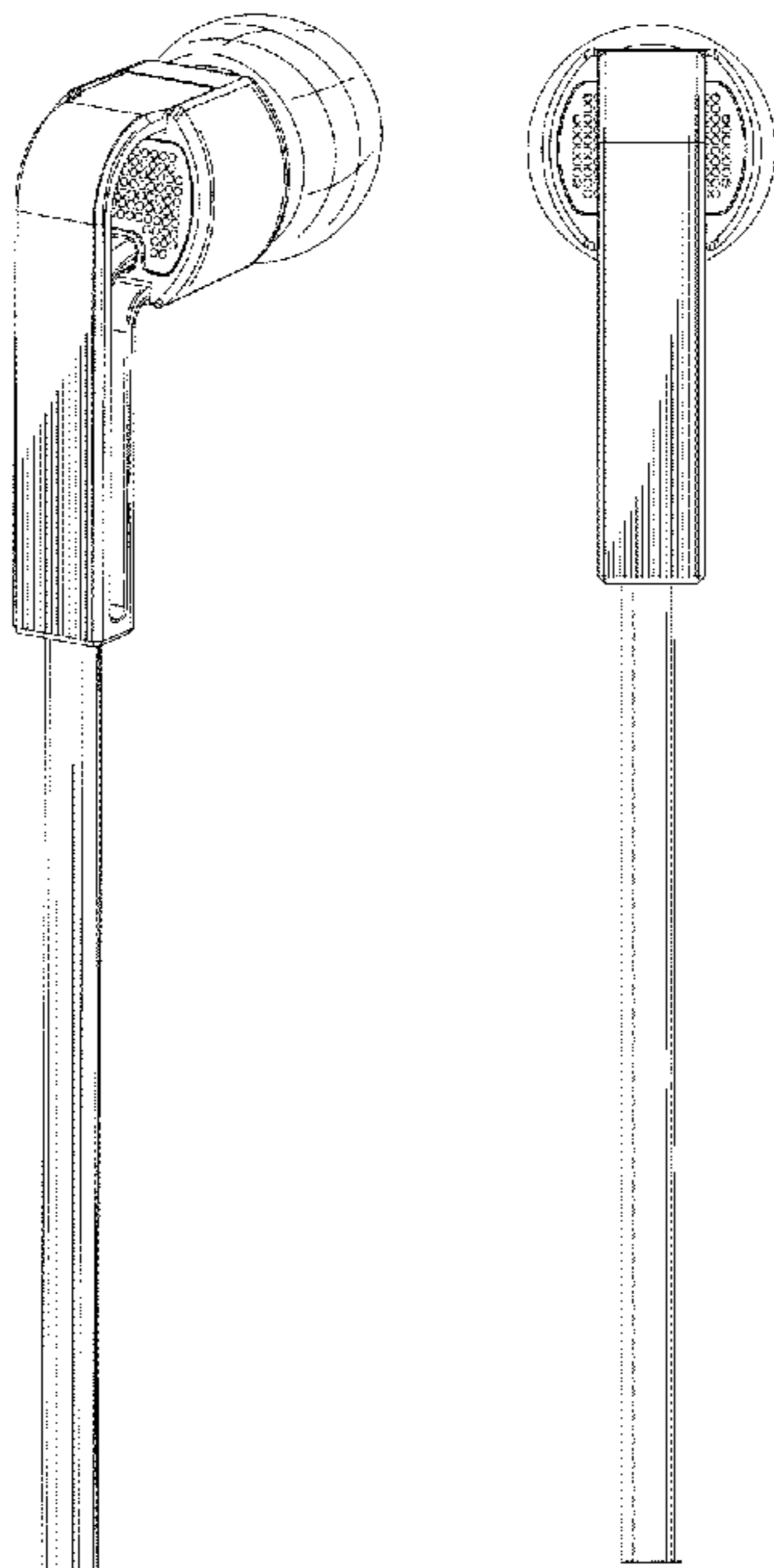
FIG. 6 is a right elevational view thereof;

FIG. 7 is a top plan view thereof; and,

FIG. 8 is a bottom plan view thereof.

The shade lines in the figures show contour and not surface ornamentation.

1 Claim, 4 Drawing Sheets



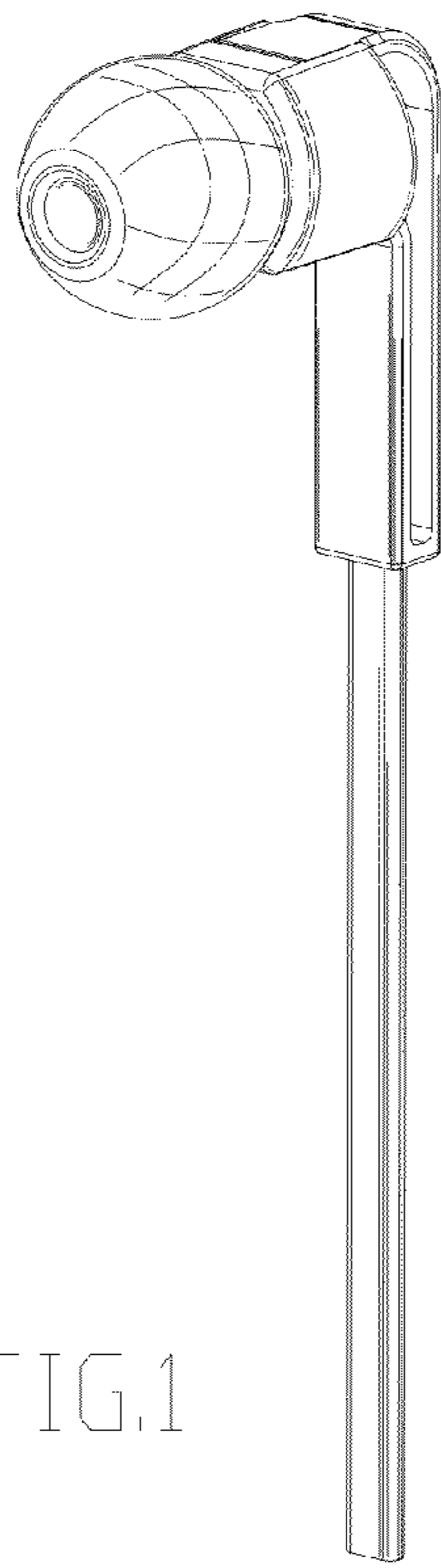


FIG.1

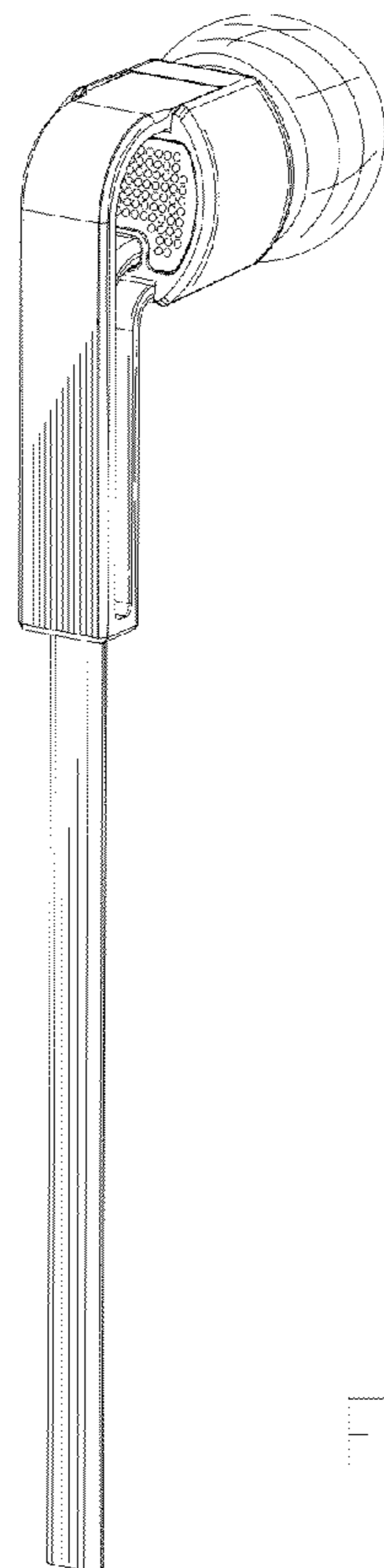


FIG.2

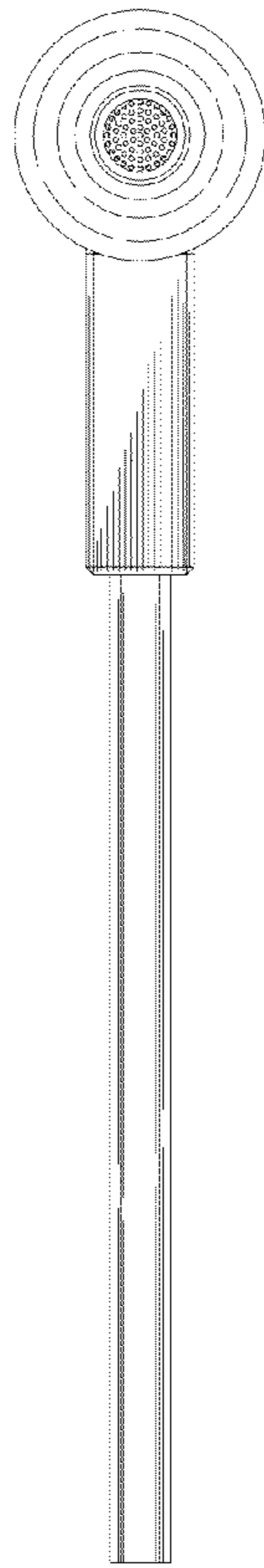


FIG 3

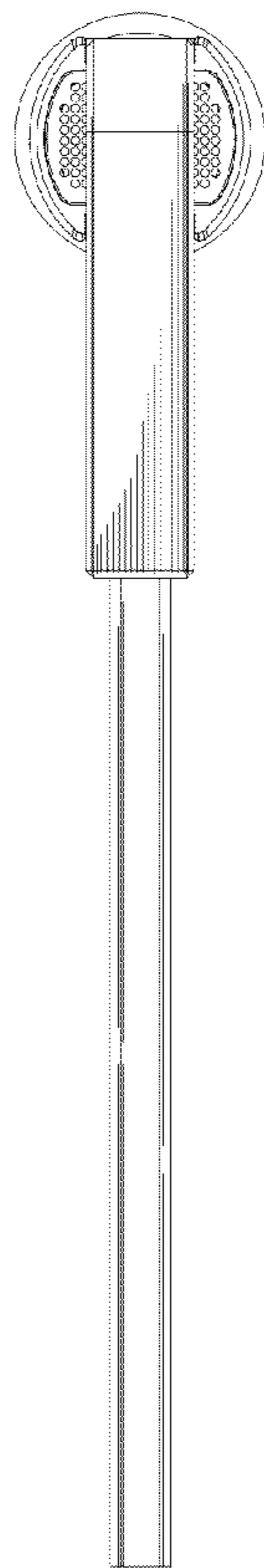


FIG 4

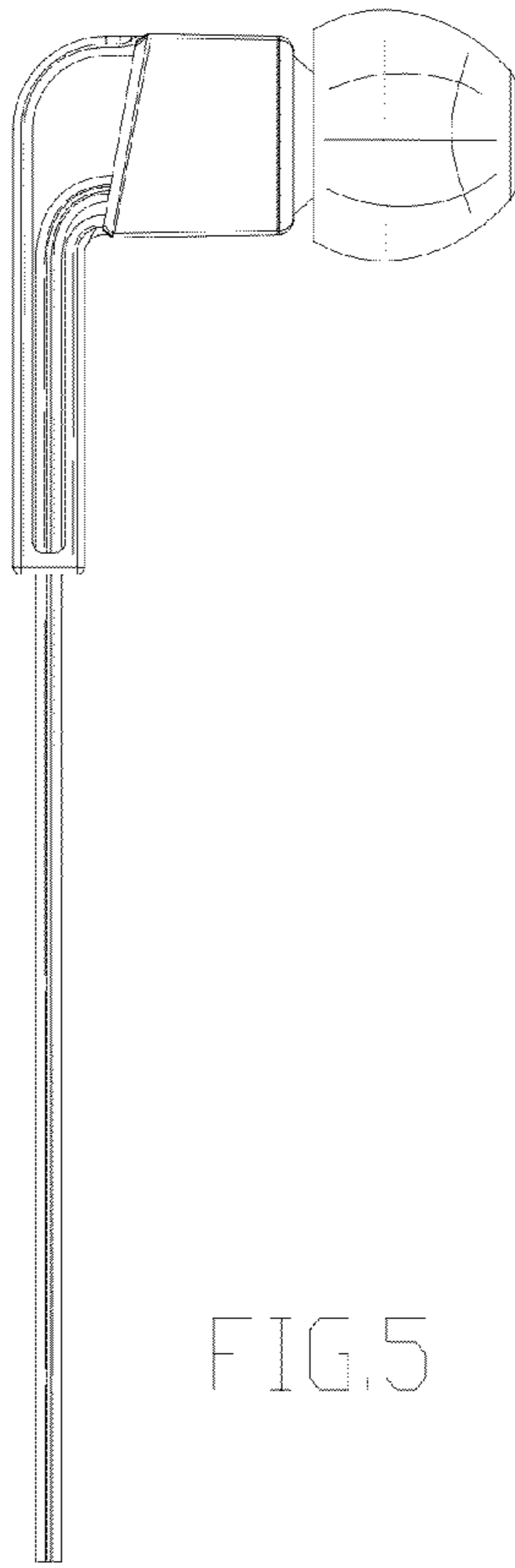


FIG. 5

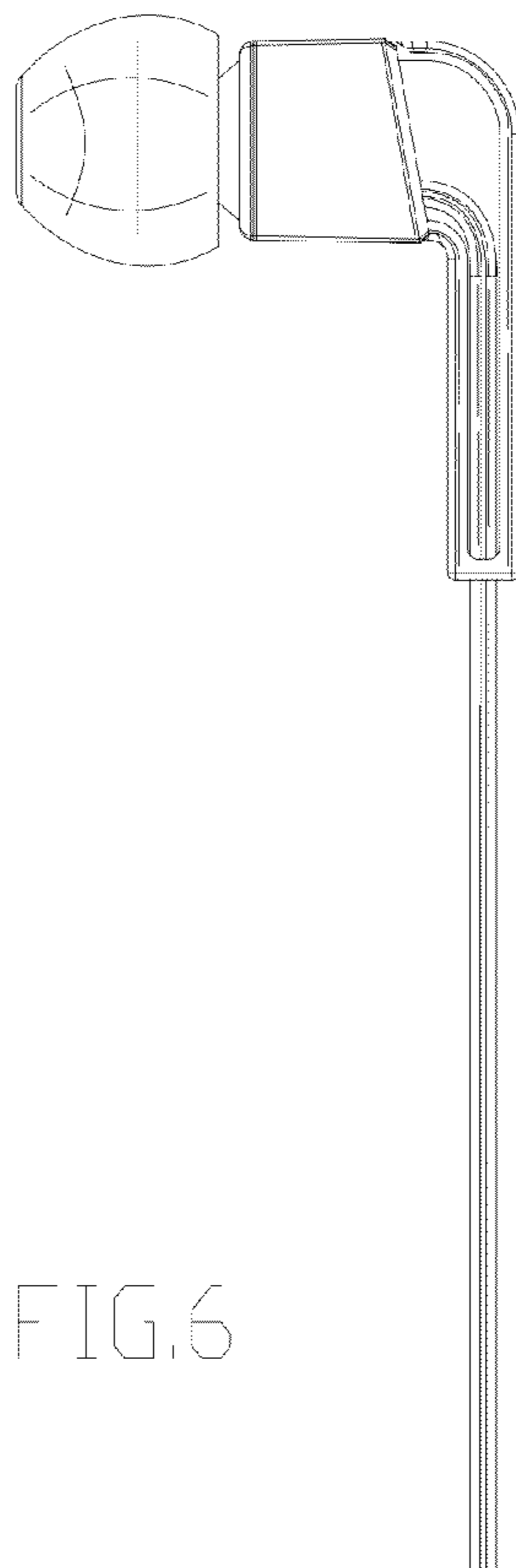


FIG. 6

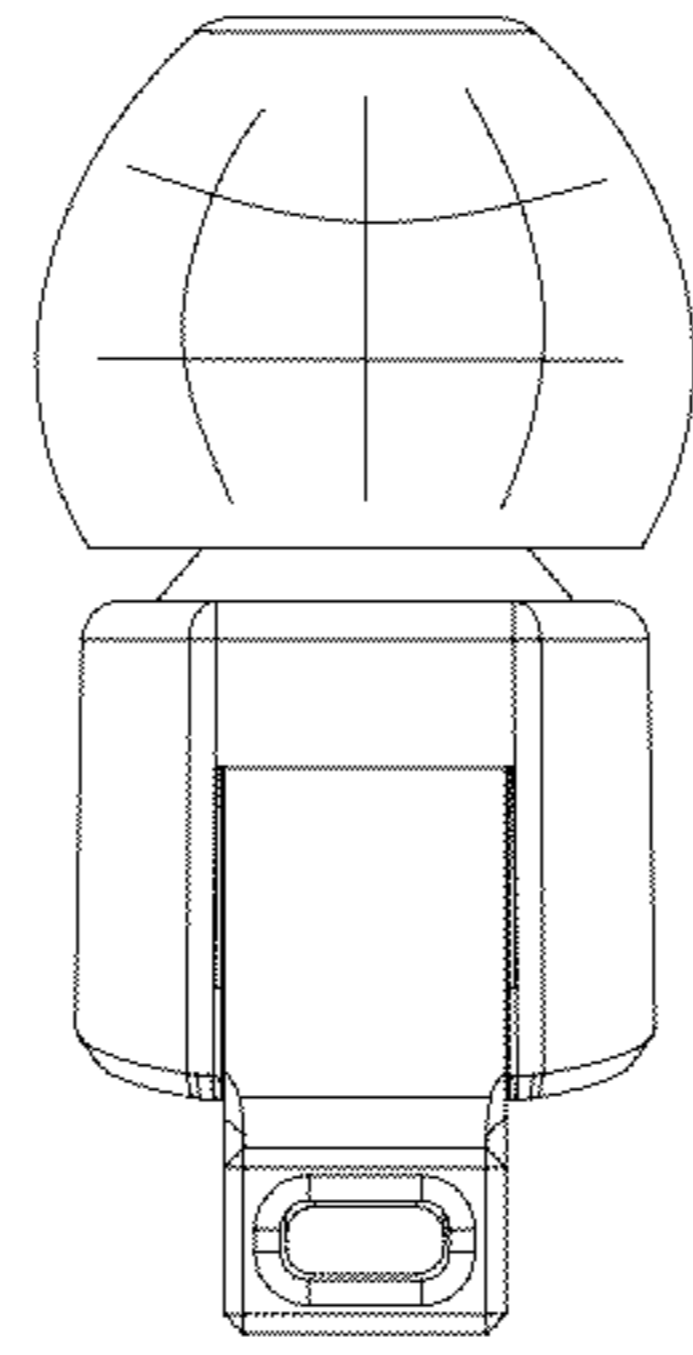


FIG. 7

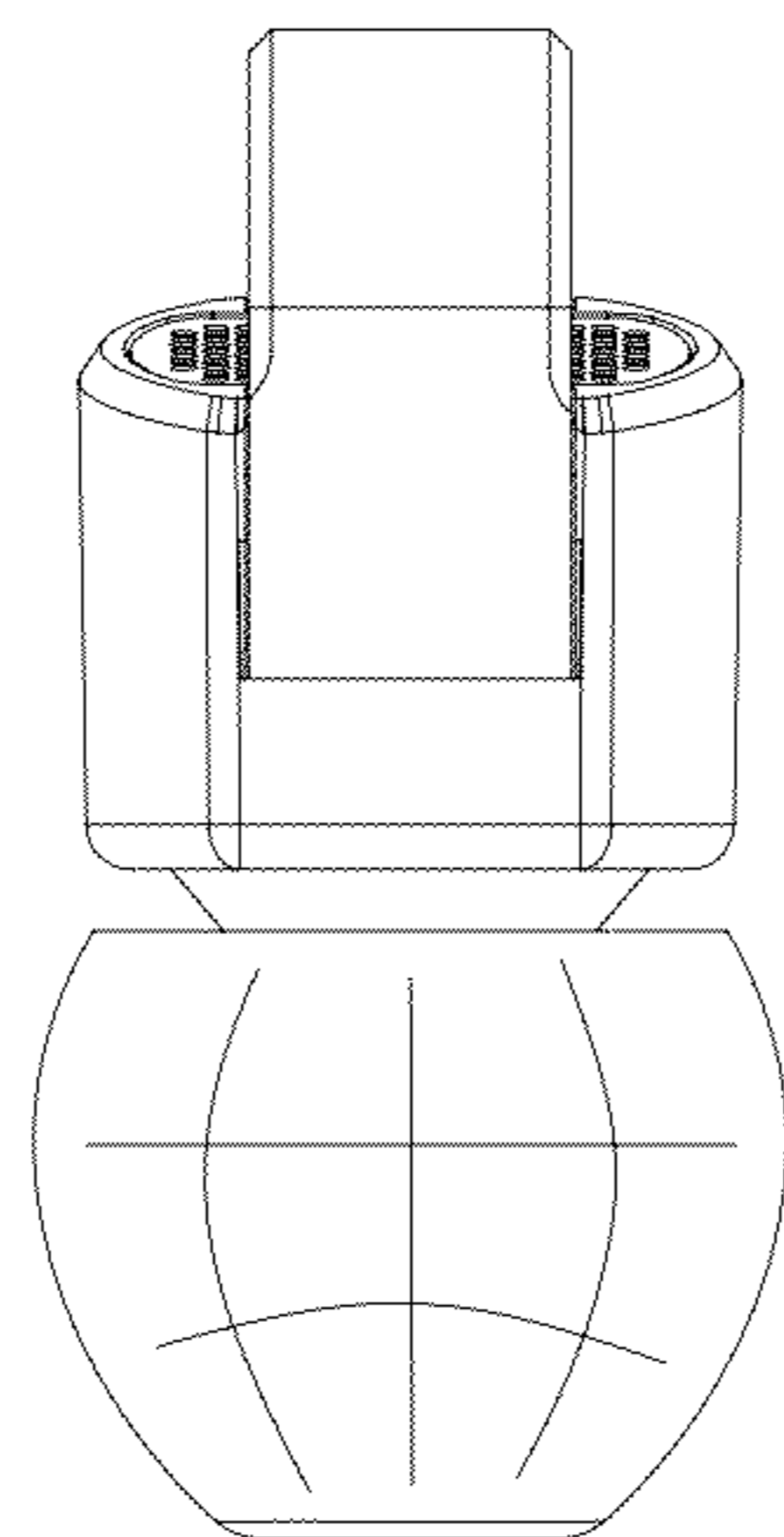


FIG. 8