

US00D697049S

(12) **United States Design Patent**
Krauss et al.

(10) **Patent No.:** **US D697,049 S**
(45) **Date of Patent:** **** Jan. 7, 2014**

(54) **SET OF HEADPHONES AND BATTERY PACK**

(71) Applicant: **Bose Corporation**, Framingham, MA (US)

(72) Inventors: **Kevin M. Krauss**, Sudbury, MA (US);
Julie E. Tierney, Shrewsbury, MA (US);
Jonathan D. Turner, Natick, MA (US);
Adam A. Carr, Southborough, MA (US);
Kenneth D. Gagnon, Westminister, MA (US);
Michael E. Laude, Upton, MA (US);
Nathan David Schaal, Cambridge, MA (US);
Robert A. Warden, Southborough, MA (US)

(73) Assignee: **Bose Corporation**, Framingham, MA (US)

(**) Term: **14 Years**

(21) Appl. No.: **29/442,837**

(22) Filed: **Jan. 24, 2013**

(51) **LOC (10) Cl.** **14-01**

(52) **U.S. Cl.**
USPC **D14/205**

(58) **Field of Classification Search**
USPC D14/205, 206, 223, 188, 192, 218, 225;
181/129, 130, 135; 379/430, 431;
381/380, 381; 455/90.3, 575.1
See application file for complete search history.

(56) **References Cited**

U.S. PATENT DOCUMENTS

D334,043 S *	3/1993	Taniguchi et al.	D14/218
D354,953 S *	1/1995	Kazufimi et al.	D14/242
D371,133 S *	6/1996	Andrea	D14/206
D430,547 S *	9/2000	Yoon	D14/142
6,122,369 A *	9/2000	Hwang et al.	379/420.04
D511,157 S *	11/2005	Johnson	D14/223
D558,735 S *	1/2008	Carr et al.	D14/206
D567,807 S *	4/2008	Bodley et al.	D14/225

D569,841 S *	5/2008	Chung et al.	D14/205
D582,389 S	12/2008	Bose et al.	
D582,889 S *	12/2008	Bose et al.	D14/205
D584,284 S	1/2009	Carr et al.	
D604,723 S *	11/2009	Bodley et al.	D14/225
D622,708 S *	8/2010	Gentner et al.	D14/225
D637,998 S *	5/2011	Brunner et al.	D14/205
D641,737 S	7/2011	Krauss et al.	
8,073,181 B2 *	12/2011	Bakalos et al.	381/384
D659,117 S	5/2012	Krauss et al.	
D686,191 S *	7/2013	Schaal et al.	D14/205
D687,410 S *	8/2013	Fletcher et al.	D14/205

FOREIGN PATENT DOCUMENTS

EM 002071373-0001/00 10/2012

* cited by examiner

Primary Examiner — Paula Greene

(57) **CLAIM**

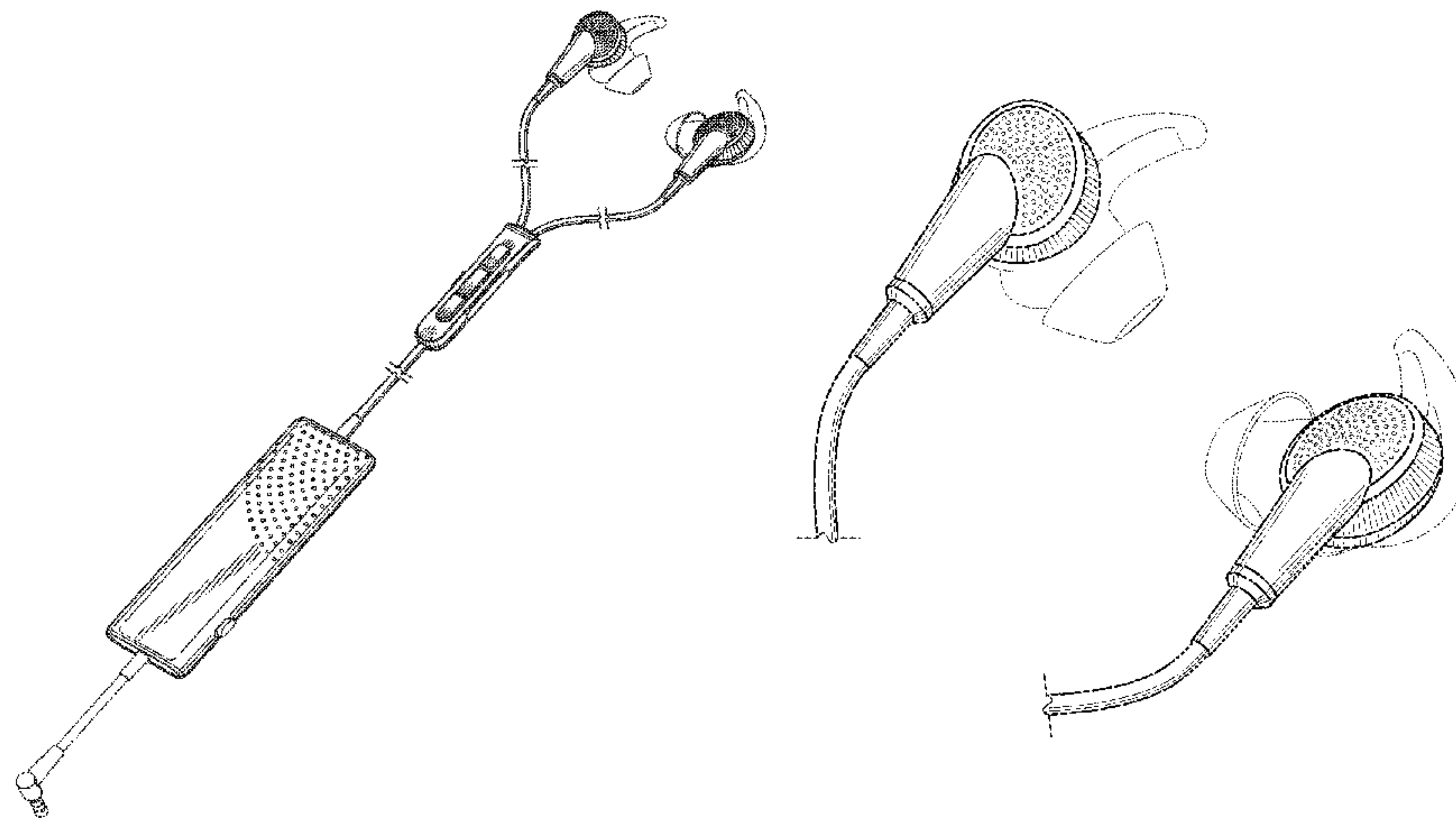
The ornamental design for a set of headphones and battery pack, substantially as shown and described.

DESCRIPTION

FIG. 1 is a perspective view of a set of headphones with a control module and battery pack as seen from the front, bottom, and left side showing our new design, the cord is drawn broken away for indeterminate length;
FIG. 2 is a front view thereof;
FIG. 3 is a back view thereof;
FIG. 4 is a right side view thereof;
FIG. 5 is a left side view thereof;
FIG. 6 is a top end view thereof;
FIG. 7 is a bottom end view thereof; and,
FIG. 8 is a detailed perspective view of the headphones of FIGS. 1 through 7 as seen from the front, bottom, and left side.

The dotted line portions of the drawings represent environmental structure only and do not form part of the claimed design.

1 Claim, 5 Drawing Sheets



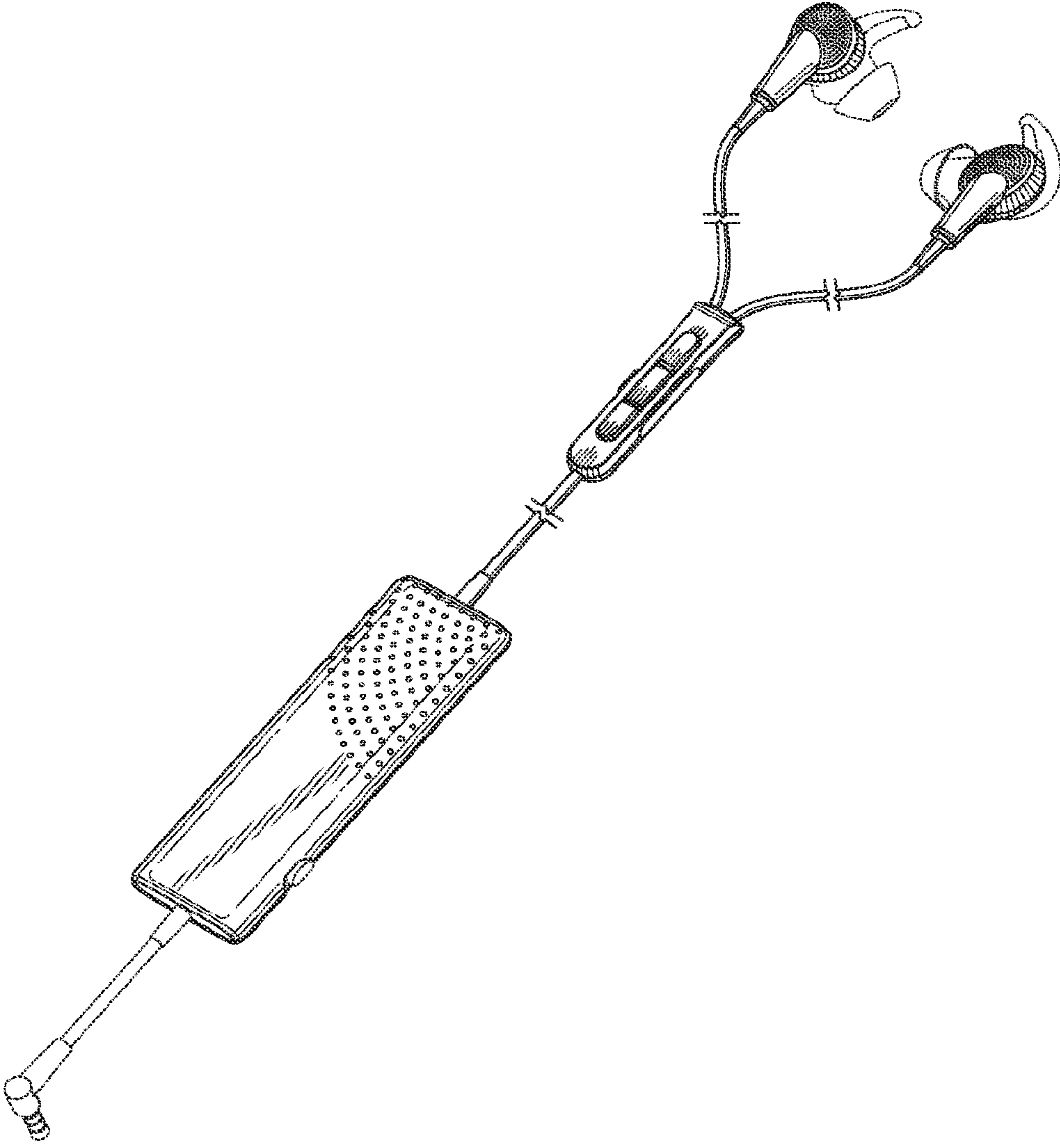


FIG. 1

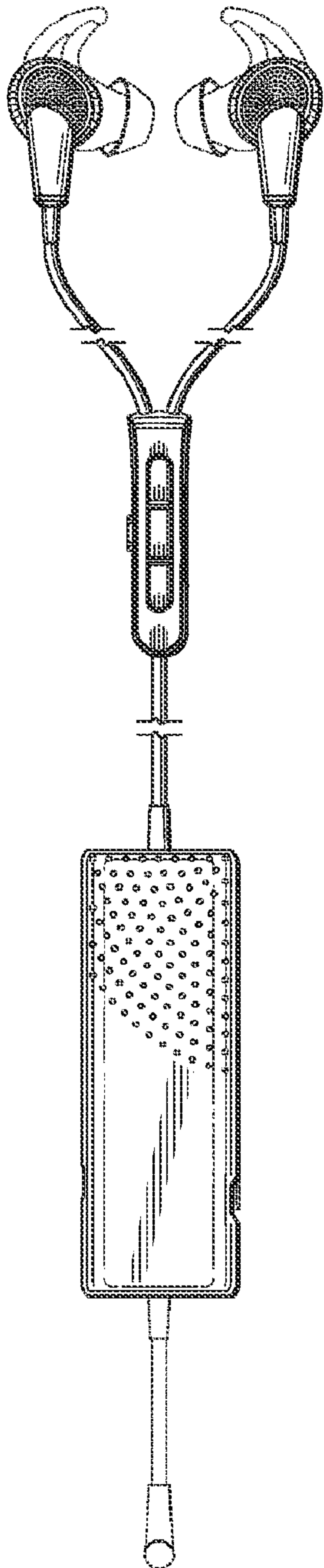


FIG. 2

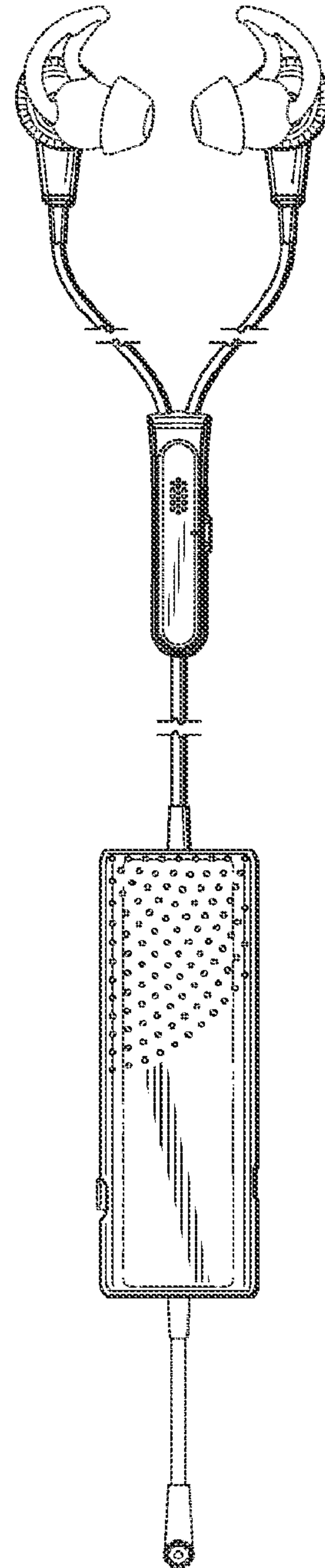


FIG. 3

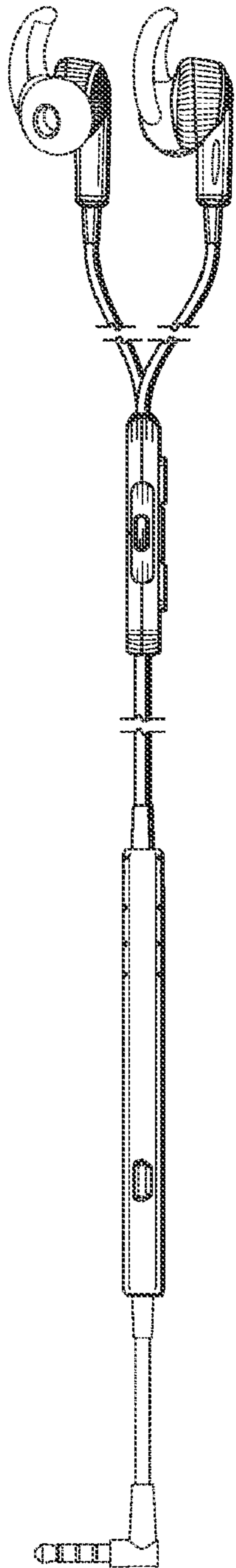


FIG. 4

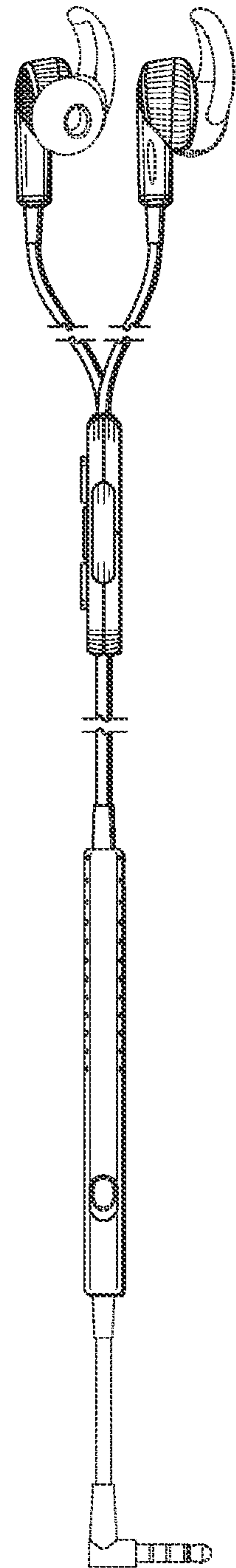


FIG. 5

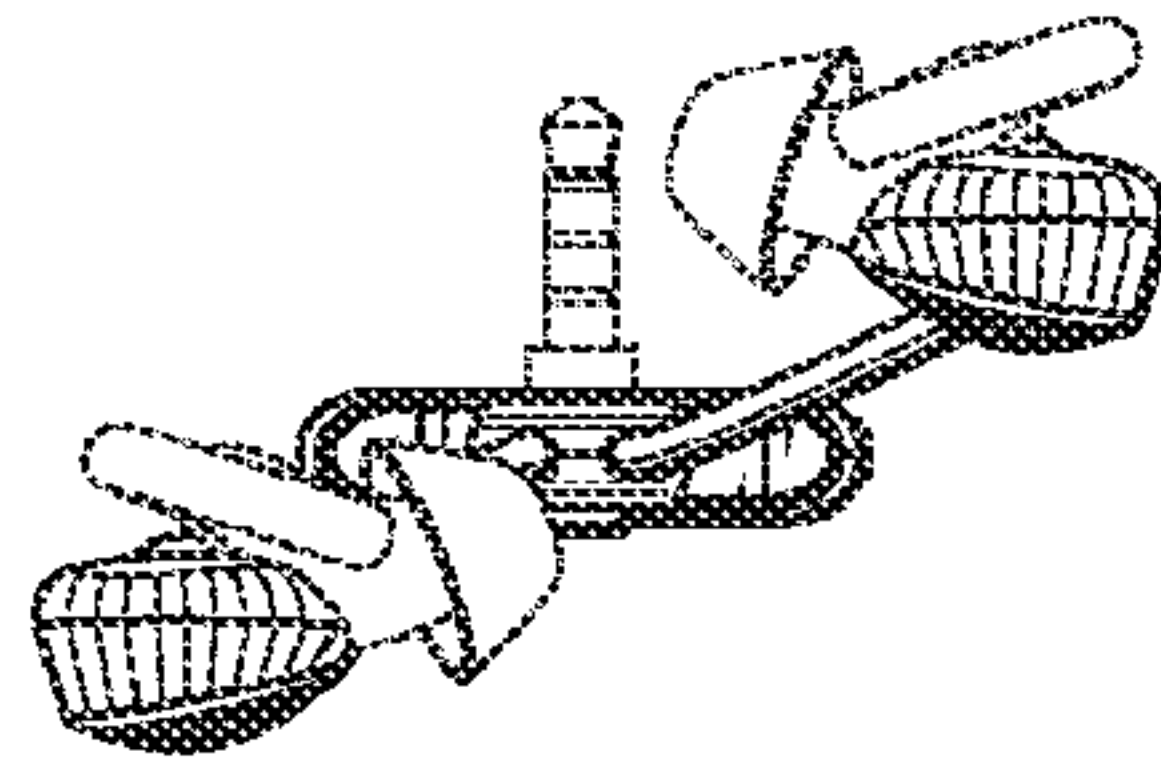


FIG. 6

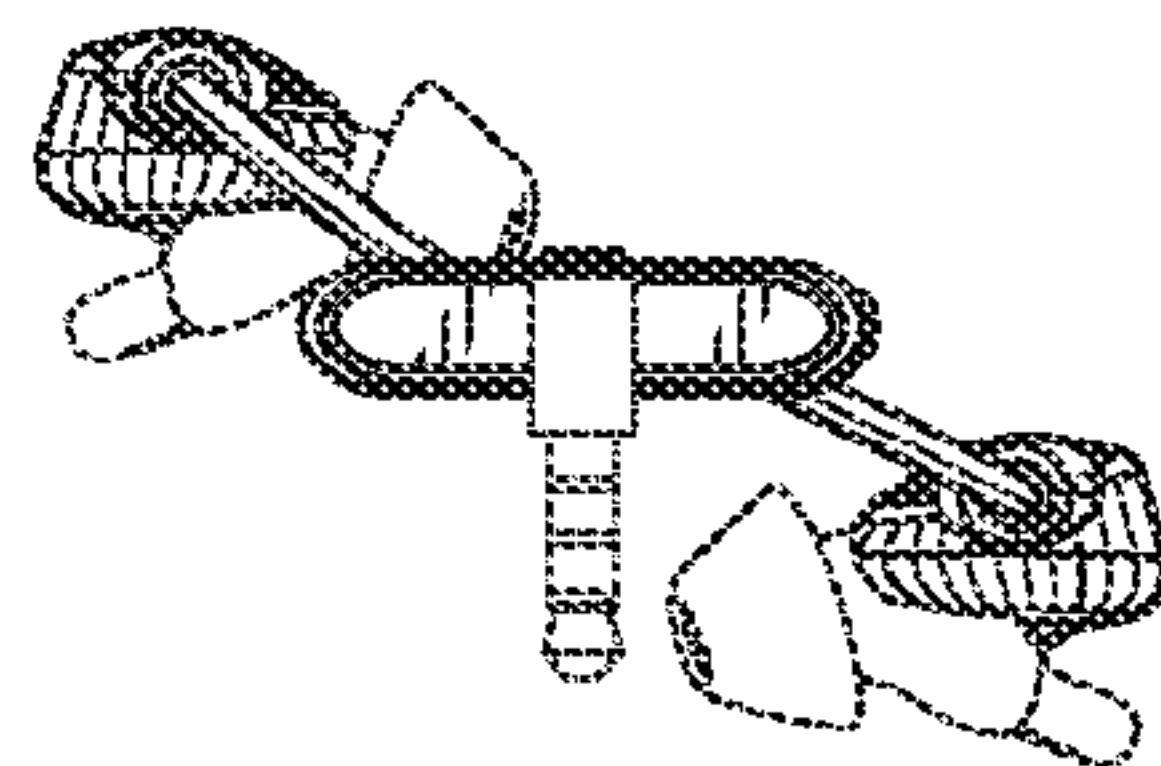


FIG. 7

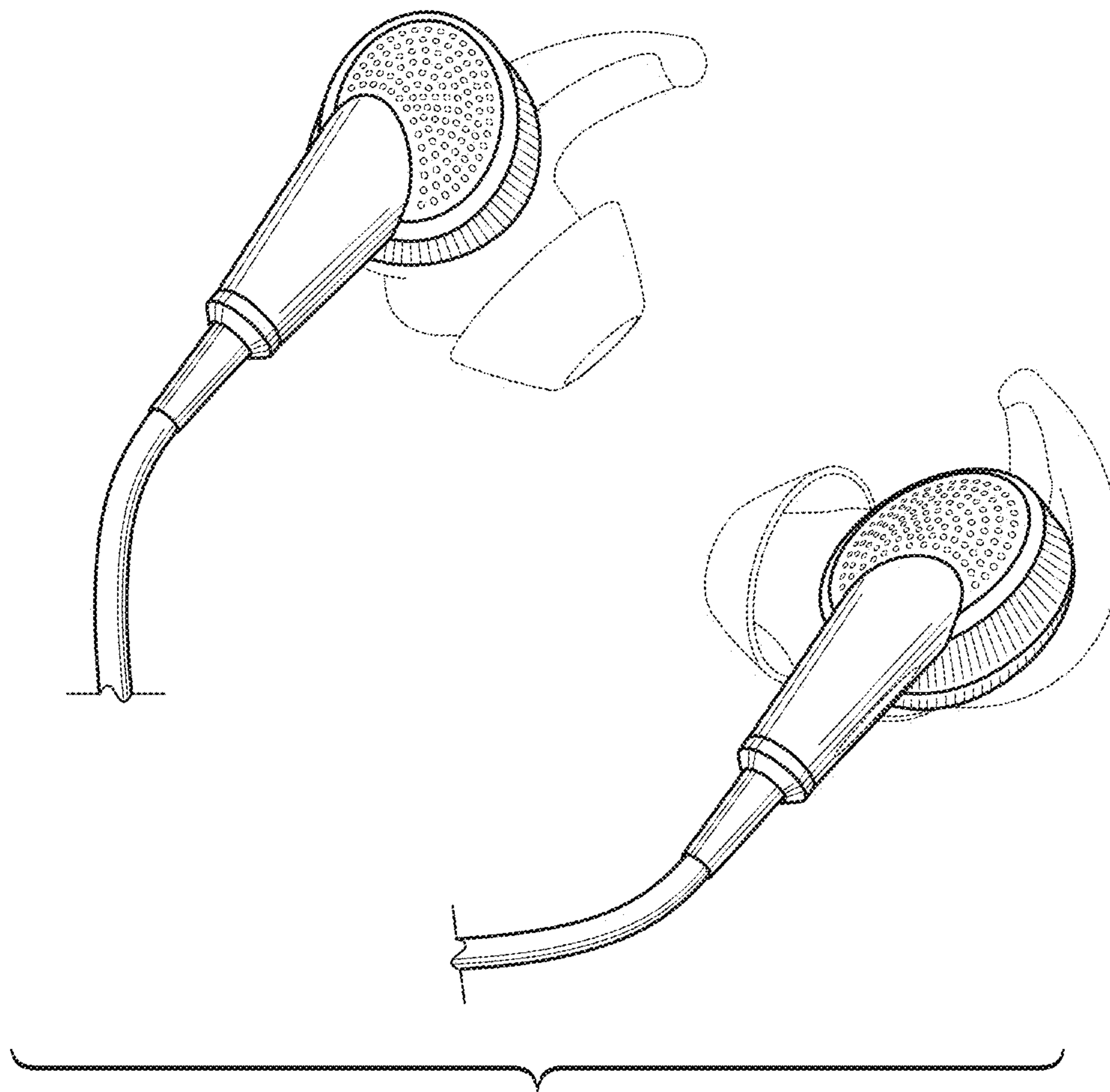


FIG. 8