



US00D697048S

(12) **United States Design Patent**
Pavitsich

(10) **Patent No.:** **US D697,048 S**
(45) **Date of Patent:** **** Jan. 7, 2014**

(54) **HEADPHONES**

(71) Applicant: **Harman International Industries, Incorporated**, Northridge, CA (US)

(72) Inventor: **Bertold Pavitsich**, Vienna (AT)

(73) Assignee: **Harman International Industries, Incorporated**, Northridge, CA (US)

(**) Term: **14 Years**

(21) Appl. No.: **29/432,685**

(22) Filed: **Sep. 19, 2012**

(51) **LOC (10) Cl.** **14-01**

(52) **U.S. Cl.**
USPC **D14/205**

(58) **Field of Classification Search**
USPC D14/205; 181/129, 130, 135; 379/430,
379/431; 381/371, 374, 383, 380, 381;
455/90.3, 575.1

See application file for complete search history.

(56) **References Cited**

U.S. PATENT DOCUMENTS

D254,183 S *	2/1980	Doodson	D14/205
D353,818 S *	12/1994	Nakamura	D14/205
D358,390 S *	5/1995	Hayashi	D14/205
D431,550 S *	10/2000	Yoneda	D14/205
D457,874 S *	5/2002	Yoneda	D14/205
D510,335 S *	10/2005	Suzuki	D14/205
D514,087 S *	1/2006	Wilson et al.	D14/206

D534,155 S *	12/2006	Obata	D14/205
D573,581 S *	7/2008	Gondo et al.	D14/205
D585,872 S *	2/2009	Lee	D14/205
D597,070 S *	7/2009	Zheng	D14/205
D625,705 S *	10/2010	Ohuri et al.	D14/205
D632,668 S *	2/2011	Brunner et al.	D14/205
D666,579 S *	9/2012	Hou	D14/205
D673,521 S *	1/2013	Yoneyama et al.	D14/205
D675,595 S *	2/2013	Cho et al.	D14/205
D678,859 S *	3/2013	Lee	D14/205
D678,860 S *	3/2013	Hagelin	D14/205

* cited by examiner

Primary Examiner — Paula Greene

(74) *Attorney, Agent, or Firm* — Plumsea Law Group, LLC

(57) **CLAIM**

The ornamental design for headphones, as shown and described.

DESCRIPTION

FIG. 1 is a perspective view of headphones showing my new design;

FIG. 2 is a front elevational view thereof;

FIG. 3 is a side elevational view thereof;

FIG. 4 is a top plan view thereof;

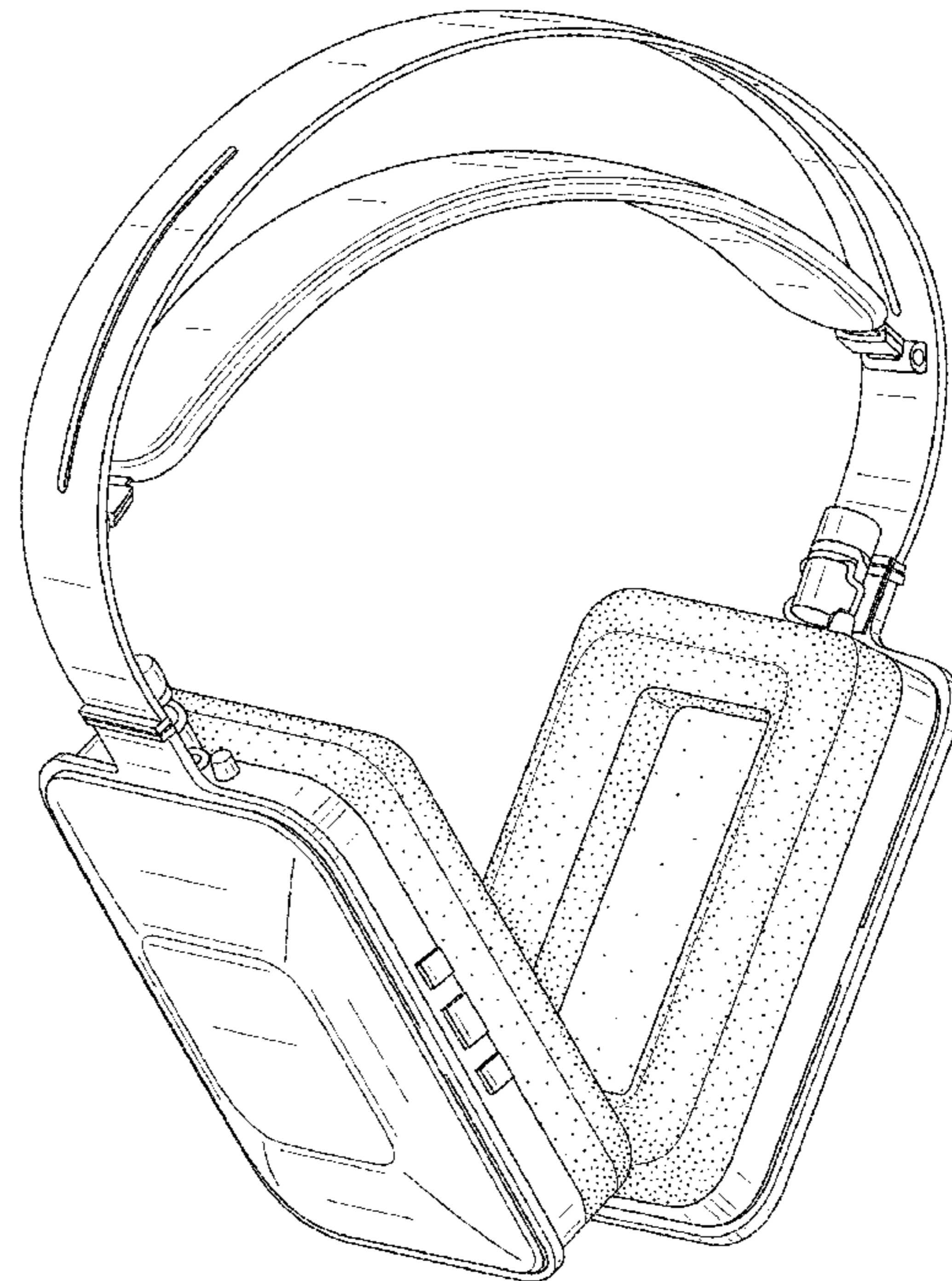
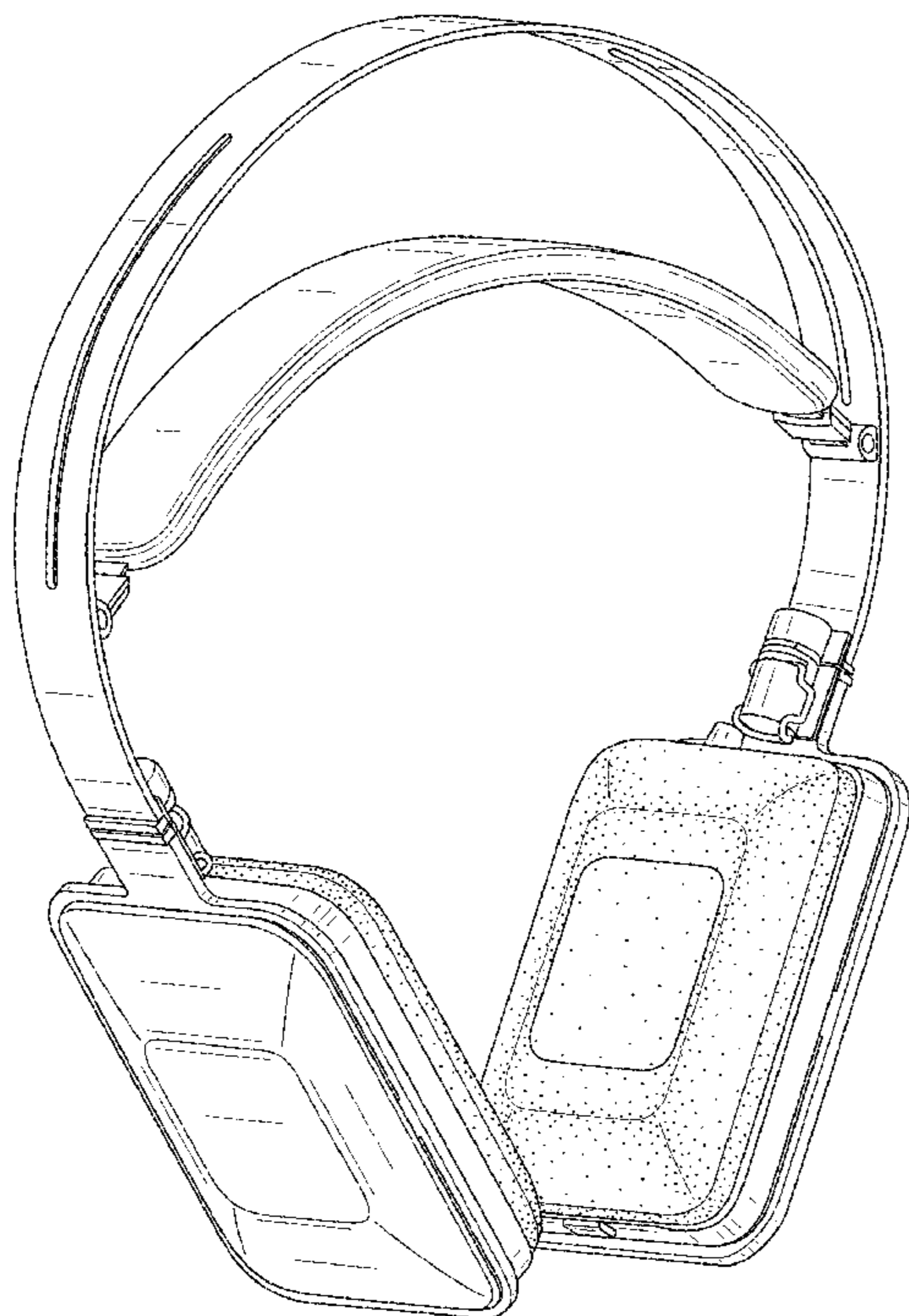
FIG. 5 is a perspective view of a second embodiment of headphones showing my new design;

FIG. 6 is a front elevational view thereof;

FIG. 7 is a side elevational view thereof; and,

FIG. 8 is a top plan view thereof.

1 Claim, 8 Drawing Sheets



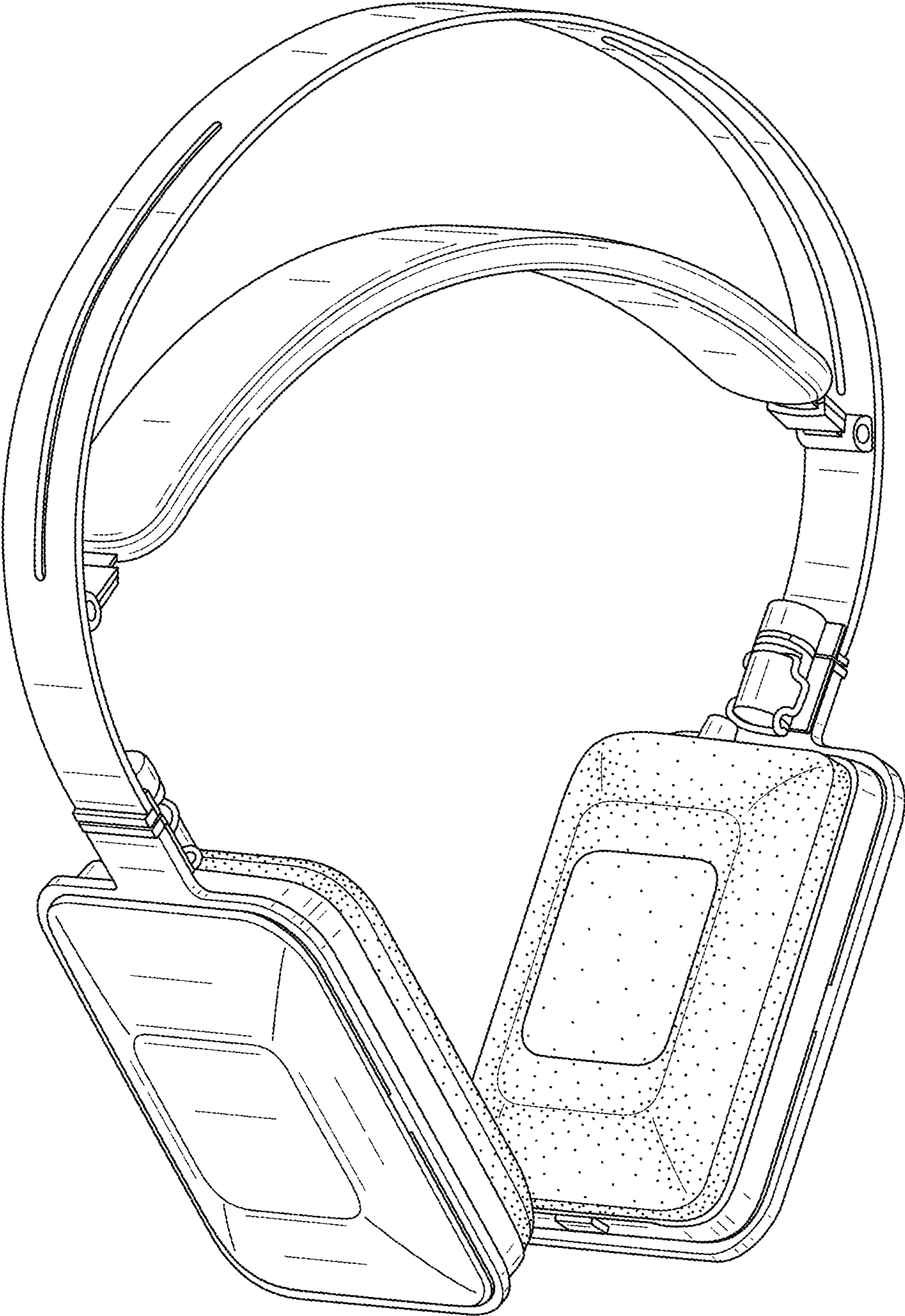


FIG. 1



FIG. 2

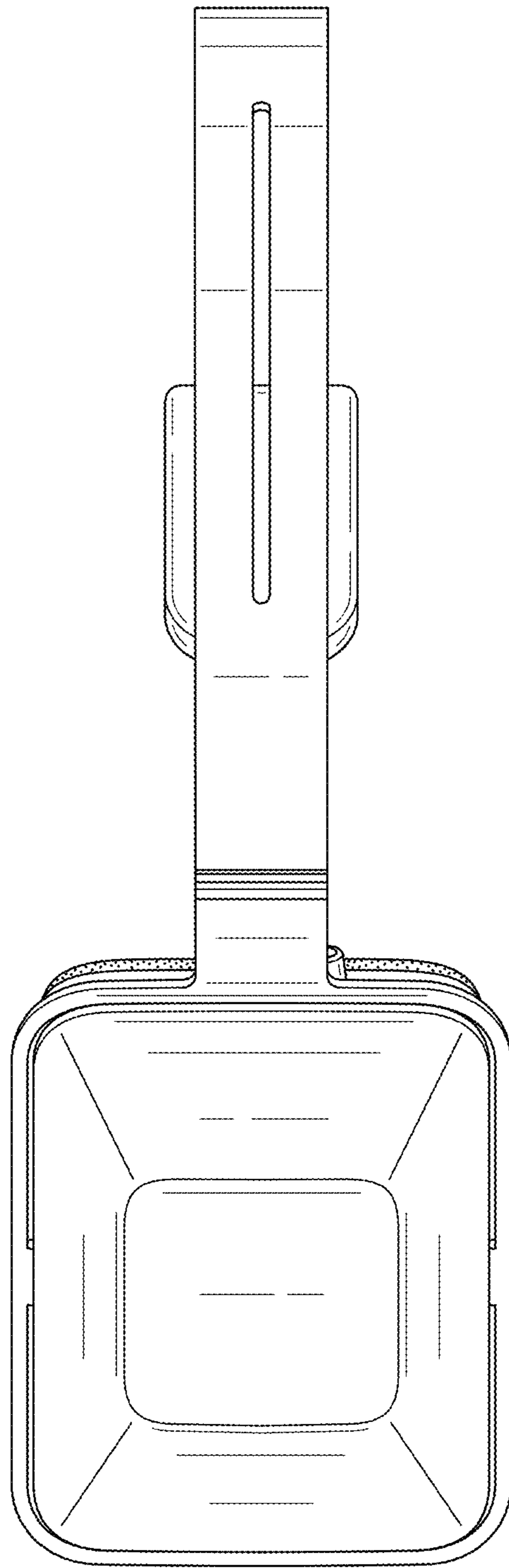


FIG. 3

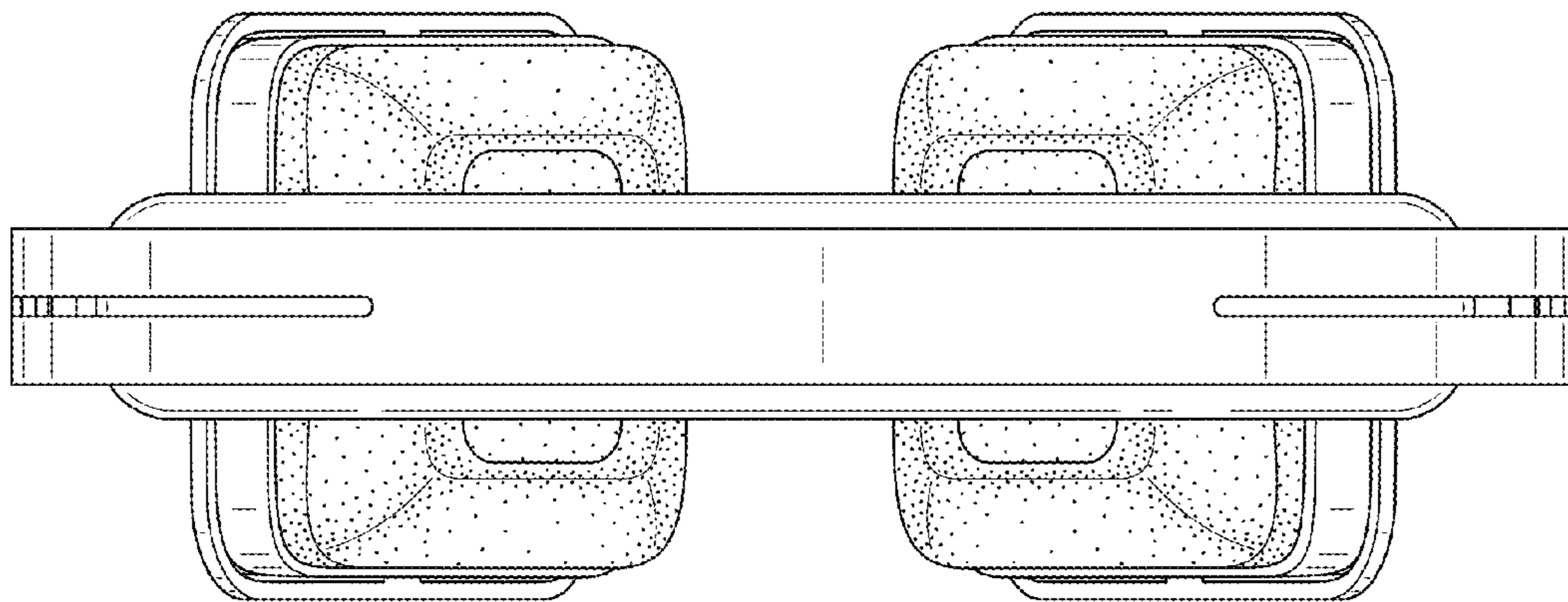


FIG. 4

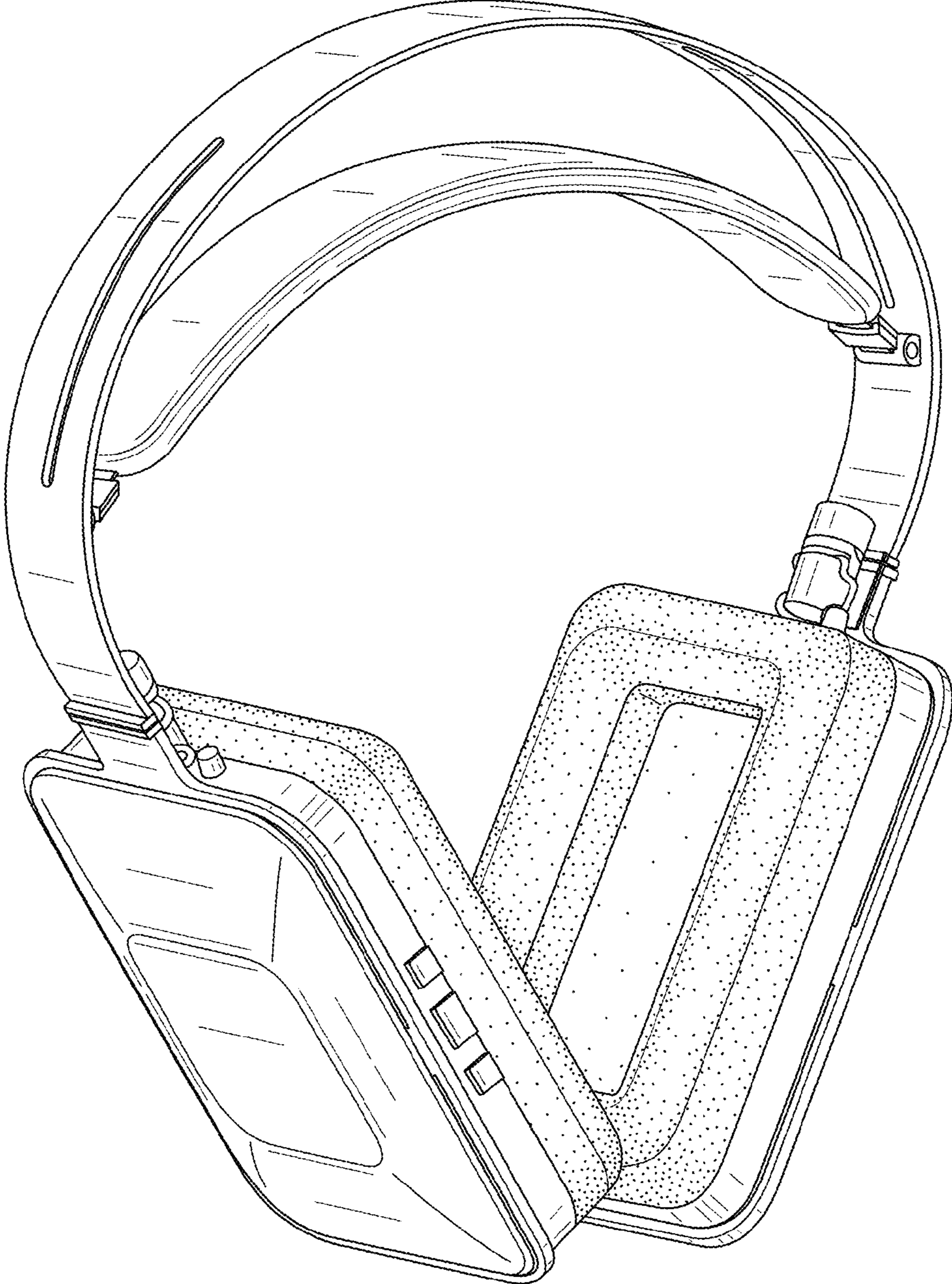


FIG. 5



FIG. 6

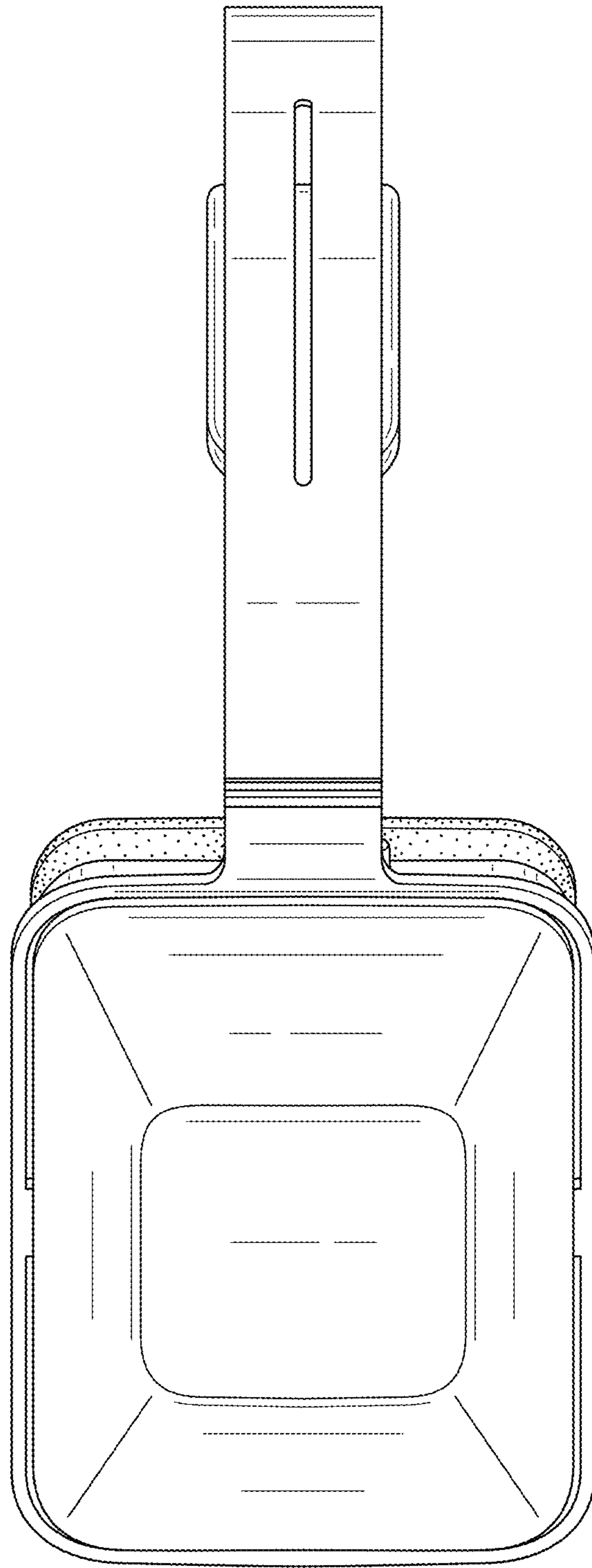


FIG. 7

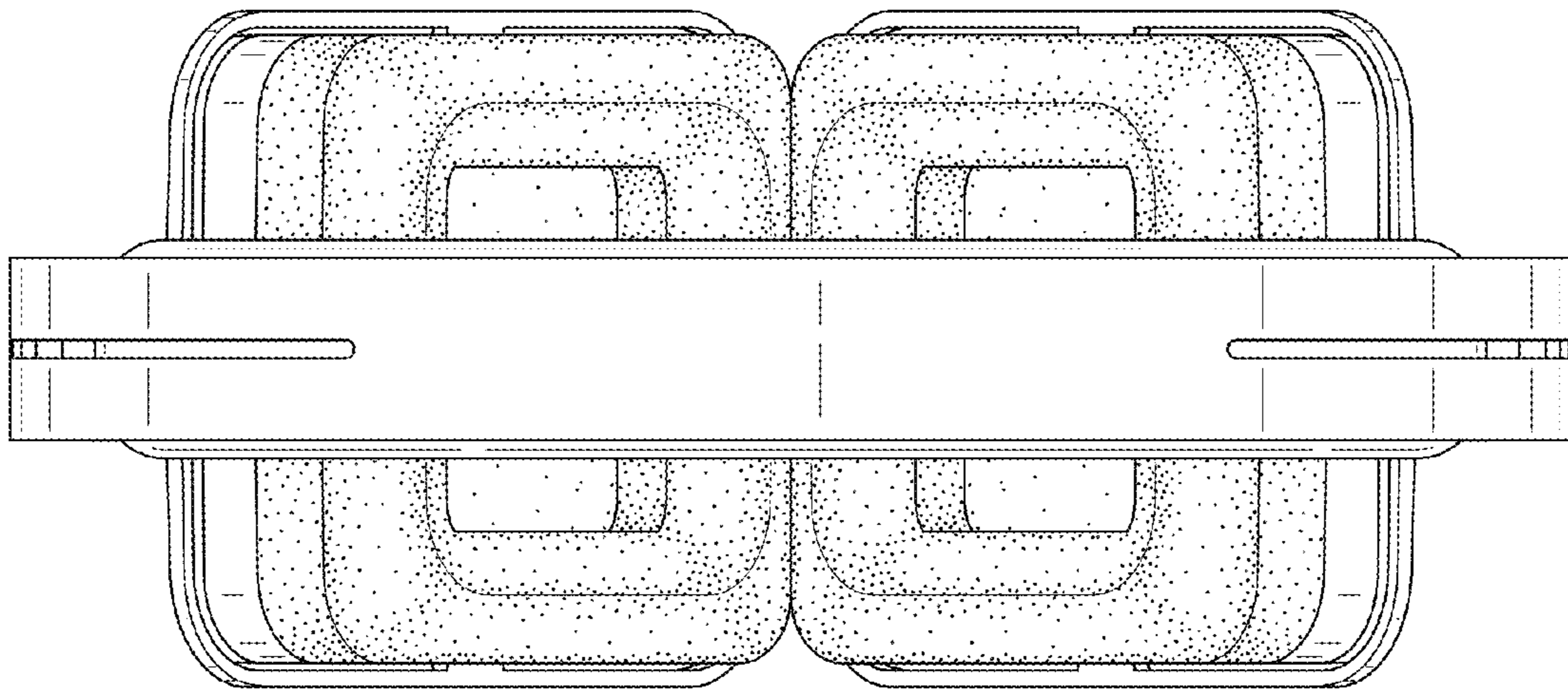


FIG. 8