



US00D697039S

(12) **United States Design Patent**
Kim

(10) **Patent No.:** **US D697,039 S**
(45) **Date of Patent:** **** *Jan. 7, 2014**

(54) **MOBILE COMMUNICATION TERMINAL**

(75) Inventor: **Chang-Hwan Kim**, Gimpo-si (KR)

(73) Assignee: **Samsung Electronics Co., Ltd.**,
Suwon-Si (KR)

(*) Notice: This patent is subject to a terminal disclaimer.

(**) Term: **14 Years**

(21) Appl. No.: **29/423,188**

(22) Filed: **May 30, 2012**

(30) **Foreign Application Priority Data**

Feb. 1, 2012 (KR) 30-2012-0004514

(51) **LOC (10) Cl.** **14-03**

(52) **U.S. Cl.**
USPC **D14/138 G**

(58) **Field of Classification Search**
USPC D14/138 G, 138 AD, 341, 346, 138 R,
D14/138 AC, 496, 203.1, 203.4, 203.7, 248,
D14/218; 455/575.1, 556.2, 575.3, 575.4;
D21/517; 379/433.01, 433.04; D10/65,
D10/78, 104; D13/168

See application file for complete search history.

(56) **References Cited**

U.S. PATENT DOCUMENTS

D579,898 S *	11/2008	Lee et al.	D14/138 G
D580,387 S *	11/2008	Andre et al.	D14/138 G
D645,014 S *	9/2011	Chung	D14/138 G
D645,017 S *	9/2011	Kim et al.	D14/138 G
D648,693 S *	11/2011	Kim et al.	D14/138 AD
D652,813 S *	1/2012	Song et al.	D14/138 G
D653,641 S *	2/2012	Chen	D14/138 G
D654,452 S *	2/2012	Son	D14/138 G
D655,269 S *	3/2012	Kim	D14/138 G
D656,118 S *	3/2012	Kim et al.	D14/138 G

(Continued)

OTHER PUBLICATIONS

Samsung Wave M S7250 telephone, announced Aug. 2011, [online], [site visited May 3, 2013]. Available from Internet, <URL: http://www.gsmarena.com/samsung_wave_m_s7250-4054.php>.*
Samsung Star 3 Duos S5222 telephone, announced Jan. 2012, [online], [site visited May 3, 2013]. Available from Internet, <URL: http://www.gsmarena.com/samsung_star_3_duos_s5222-4447.php>.*

(Continued)

Primary Examiner — Jeffrey D Asch

(74) *Attorney, Agent, or Firm* — Staas & Halsey LLP

(57) **CLAIM**

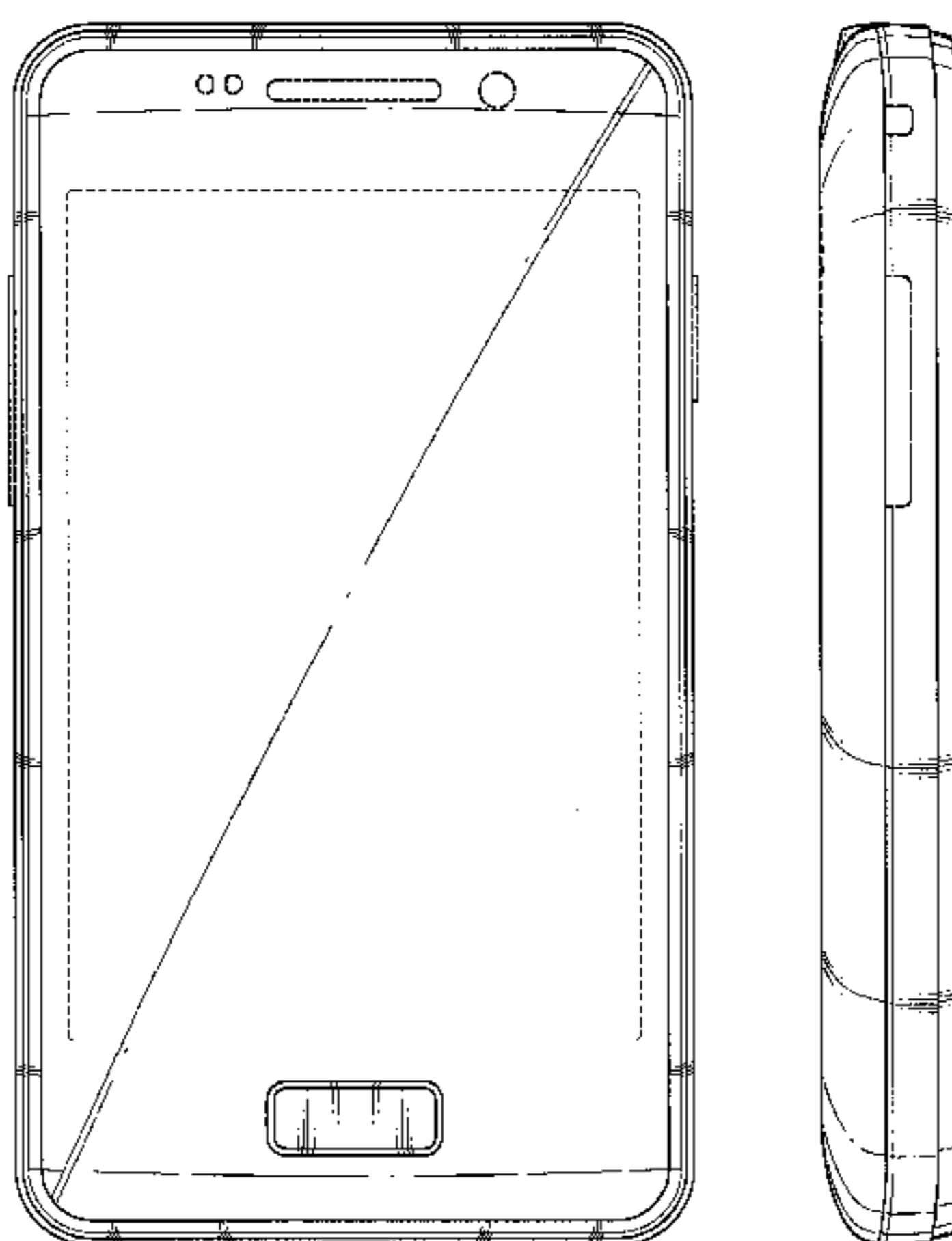
The ornamental design for a mobile communication terminal, as shown and described.

DESCRIPTION

FIG. 1 is a front perspective view of a mobile communication terminal;
FIG. 2 is a front view of the mobile communication terminal of FIG. 1;
FIG. 3 is a rear view of the mobile communication terminal of FIG. 1;
FIG. 4 is a left-side view of the mobile communication terminal of FIG. 1;
FIG. 5 is a right-side view of the mobile communication terminal of FIG. 1;
FIG. 6 is a top plan view of the mobile communication terminal of FIG. 1; and,
FIG. 7 is a bottom plan view of the mobile communication terminal of FIG. 1.

The broken lines shown in the figures that are immediately adjacent to the shaded areas and define regions that are consistently unshaded, represent the bounds of the claim, while all other broken lines, including the display beneath the transparent panel on the front, are directed to environment and are for illustrative purposes only; the broken lines form no part of the claimed design.

1 Claim, 7 Drawing Sheets



(56)

References Cited

U.S. PATENT DOCUMENTS

D656,476	S	*	3/2012	Han	D14/138	G
D656,918	S	*	4/2012	Kim et al.	D14/138	G
D660,278	S	*	5/2012	Bang	D14/138	G
D661,277	S	*	6/2012	Kim	D14/138	G
D663,709	S	*	7/2012	Kim et al.	D14/138	AD
D665,765	S	*	8/2012	Oh	D14/138	G
D666,572	S	*	9/2012	Kim et al.	D14/138	G
D668,629	S	*	10/2012	Chung	D14/138	G
D669,054	S	*	10/2012	Han	D14/138	G
D669,448	S	*	10/2012	Hong	D14/138	G
D675,586	S	*	2/2013	Choi	D14/138	G
D675,590	S	*	2/2013	Daniel	D14/138	G
D676,399	S	*	2/2013	Cho	D14/138	G
D676,402	S	*	2/2013	Han	D14/138	G
D676,403	S	*	2/2013	Sung	D14/138	G
D676,409	S	*	2/2013	Kim	D14/138	G
D676,821	S	*	2/2013	Jeong	D14/138	G
D676,822	S	*	2/2013	Seo et al.	D14/138	G
D677,640	S	*	3/2013	Kim et al.	D14/138	G
D678,234	S	*	3/2013	Chung	D14/138	G

OTHER PUBLICATIONS

Samsung Galaxy I8250 telephone, announced Jun. 2012, [online], [site visited May 3, 2013]. Available from Internet, <URL: http://www.gsmarena.com/samsung_galaxy_i8250-4857.php>.*

Samsung Galaxy Player 70 Plus telephone, announced Mar. 2012, [online], [site visited May 3, 2013]. Available from Internet, <URL: http://www.gsmarena.com/samsung_galaxy_player_70_plus-4633.php>.*

Samsung I8530 Galaxy Beam telephone, announced Feb. 2012, [online], [site visited May 3, 2013]. Available from Internet, <URL: http://www.gsmarena.com/samsung_i8530_galaxy_beam-4566.php>.*

LG Optimus L3 II E430 telephone, announced Feb. 2013, [online], [site visited May 3, 2013]. Available from Internet, <URL: http://www.gsmarena.com/lg_optimus_l3_ii_e430-5292.php>.*

Samsung Galaxy M Style M340S telephone, announced Jan. 2012, [online], [site visited May 3, 2013]. Available from Internet, <URL: http://www.gsmarena.com/samsung_galaxy_m_style_m340s-4401.php>.*

* cited by examiner

FIG. 1

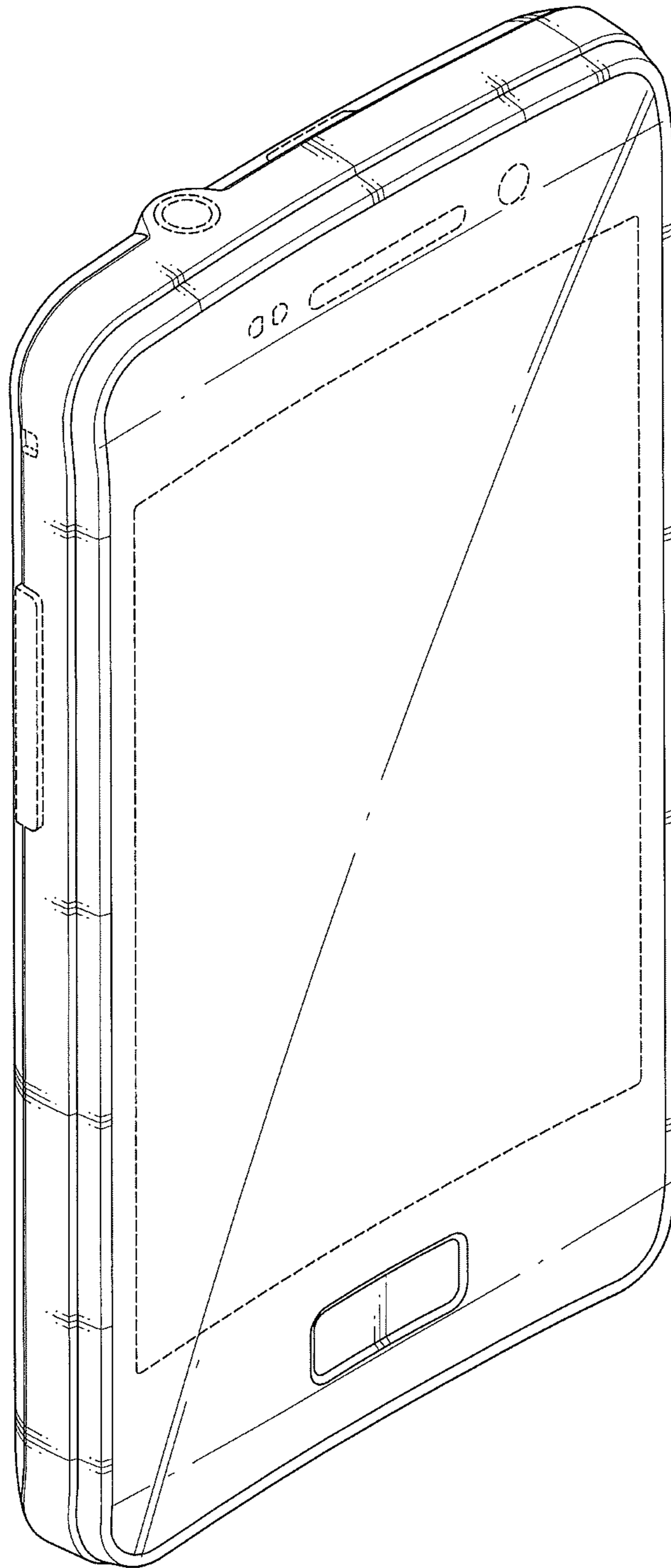


FIG.2

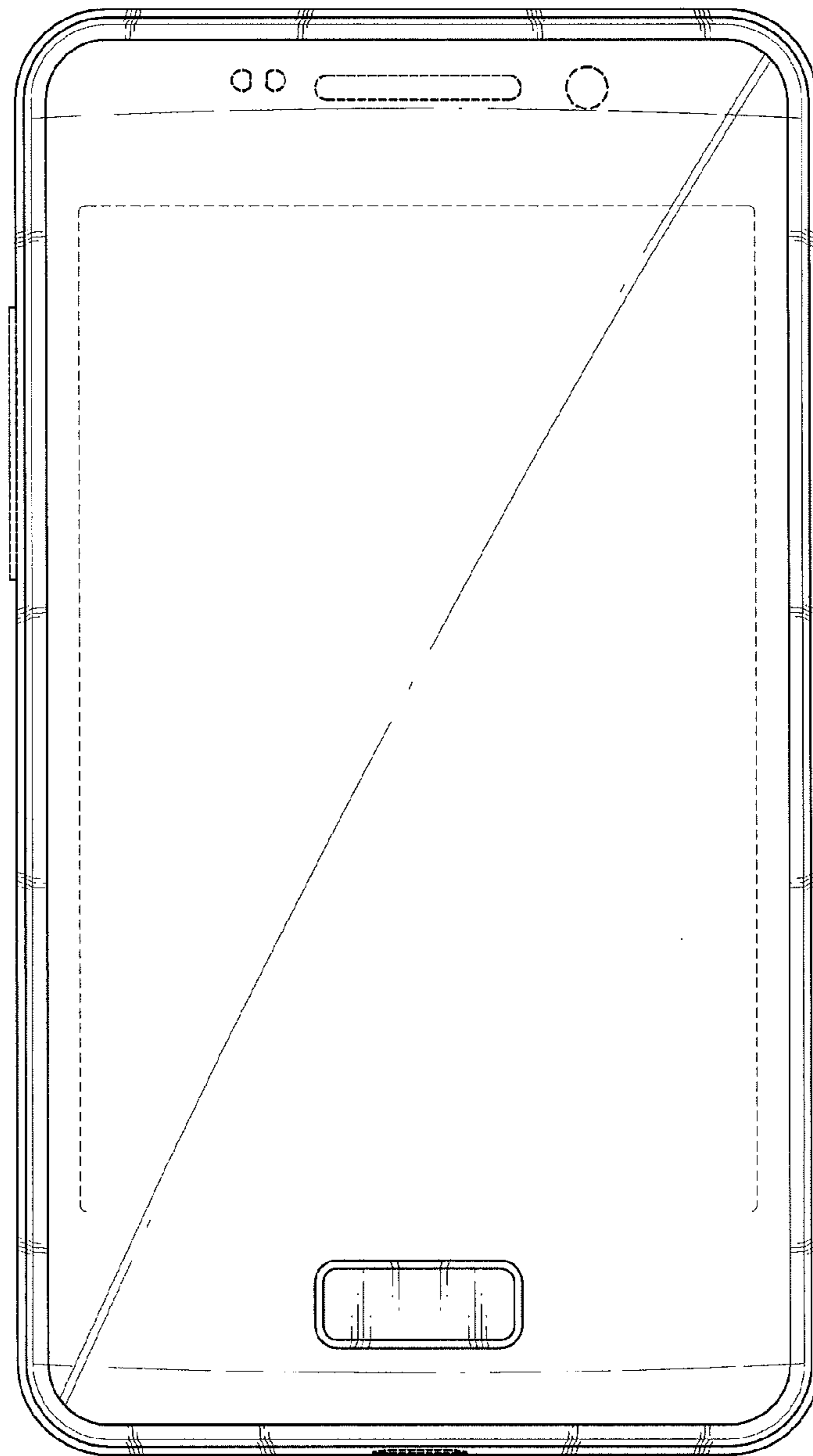


FIG. 3

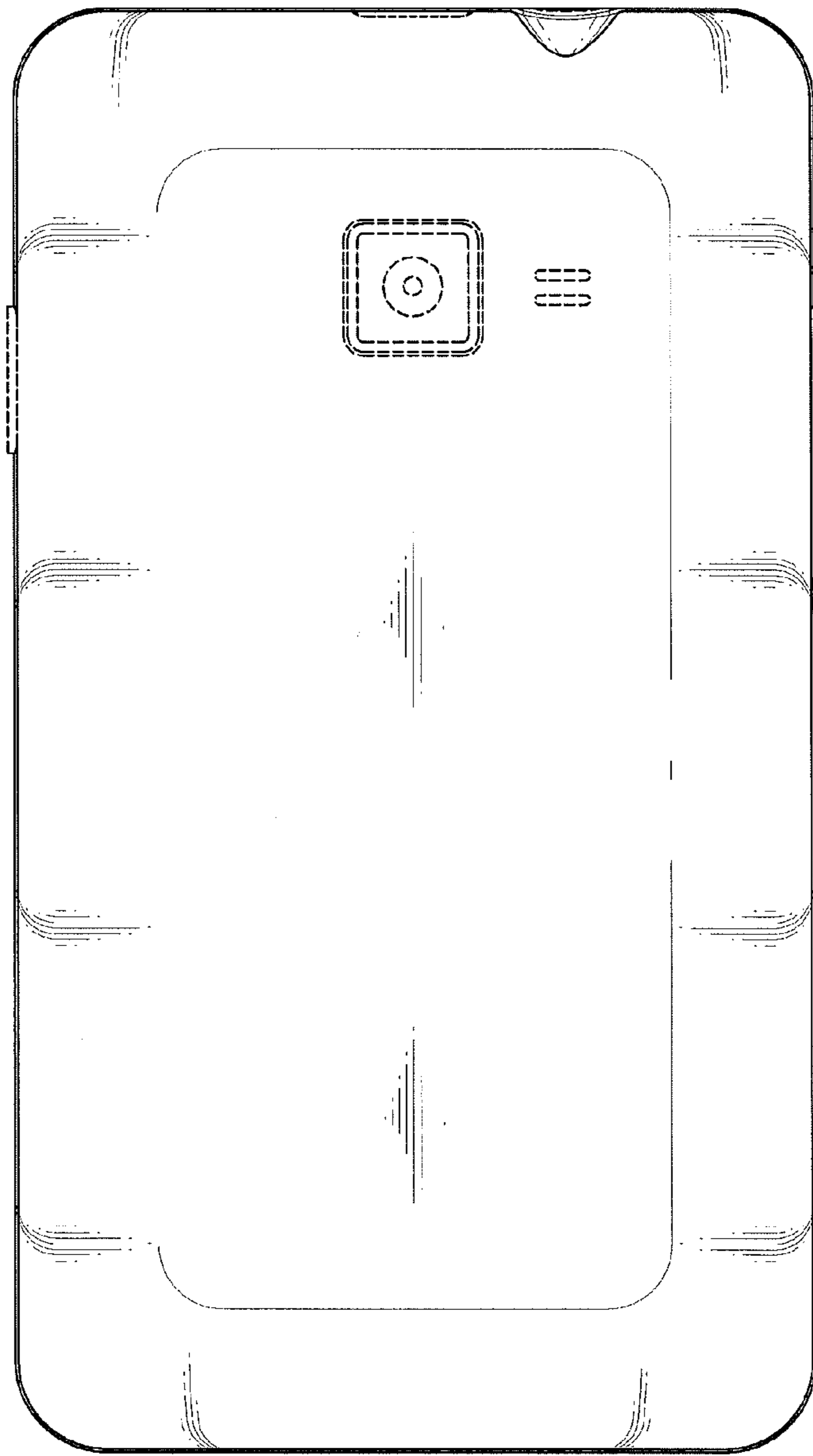


FIG. 4

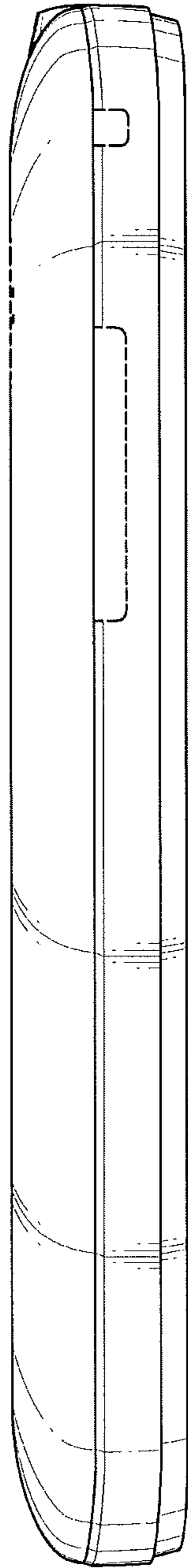


FIG. 5

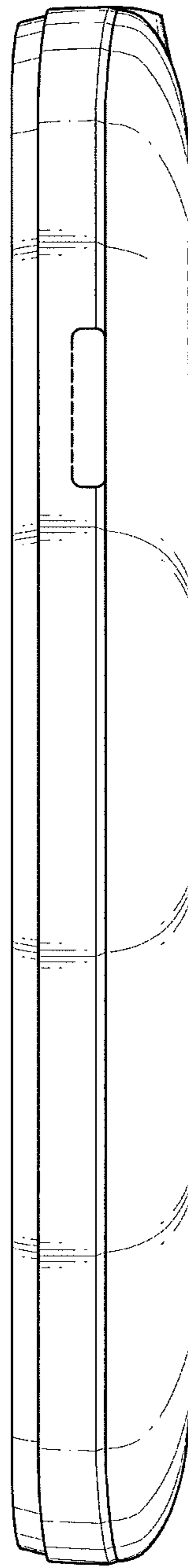


FIG. 6

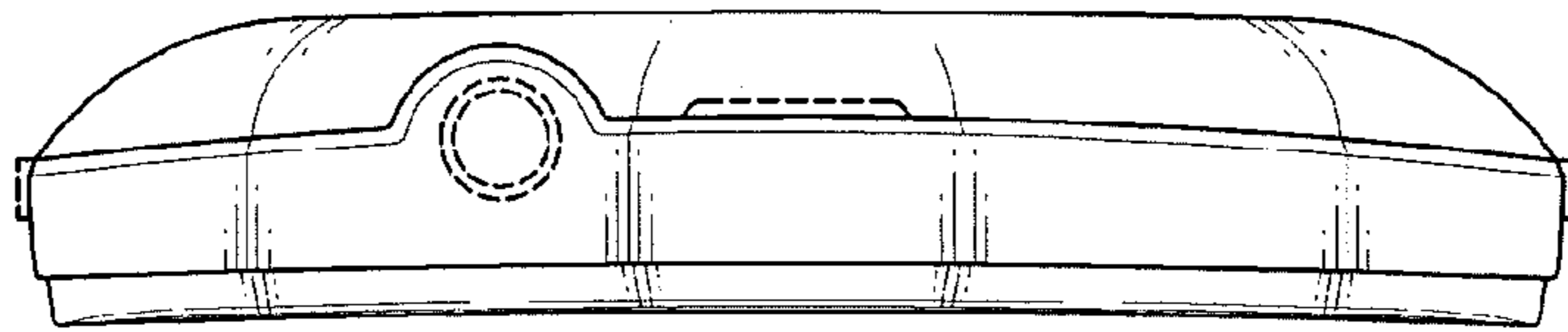


FIG. 7

