

US00D697034S

(12) **United States Design Patent**
Kobayashi

(10) **Patent No.:** **US D697,034 S**
(45) **Date of Patent:** **** Jan. 7, 2014**

(54) **FUSE**
(71) Applicant: **Pacific Engineering Corp.**, Ogaki-shi (JP)
(72) Inventor: **Tatsunori Kobayashi**, Ogaki (JP)
(73) Assignee: **Pacific Engineering Corp.**, Ogaki-shi, Gifu-ken (JP)

6,452,474	B1 *	9/2002	Oh	337/278
6,556,121	B2 *	4/2003	Endo et al.	337/260
D558,150	S *	12/2007	Yang et al.	D13/161
7,928,827	B2 *	4/2011	Urrea et al.	337/161
8,077,007	B2 *	12/2011	Urrea et al.	337/161
D671,080	S *	11/2012	Andoh et al.	D13/161
D671,504	S *	11/2012	Andoh et al.	D13/161
2001/0026209	A1 *	10/2001	Kondo et al.	337/260
2009/0179728	A1 *	7/2009	Urrea et al.	337/198
2012/0044037	A1 *	2/2012	Urrea et al.	337/198

(**) Term: **14 Years**
(21) Appl. No.: **29/443,586**
(22) Filed: **Jan. 18, 2013**

* cited by examiner

Primary Examiner — Thomas Johannes
(74) *Attorney, Agent, or Firm* — Merchant & Gould P.C.

(30) **Foreign Application Priority Data**
Dec. 10, 2012 (JP) 2012-030208
(51) **LOC (10) Cl.** **13-03**
(52) **U.S. Cl.**
USPC **D13/161**
(58) **Field of Classification Search**
USPC D13/159-161, 173, 178; 439/687;
337/163, 198, 206, 230, 242, 264, 265
See application file for complete search history.

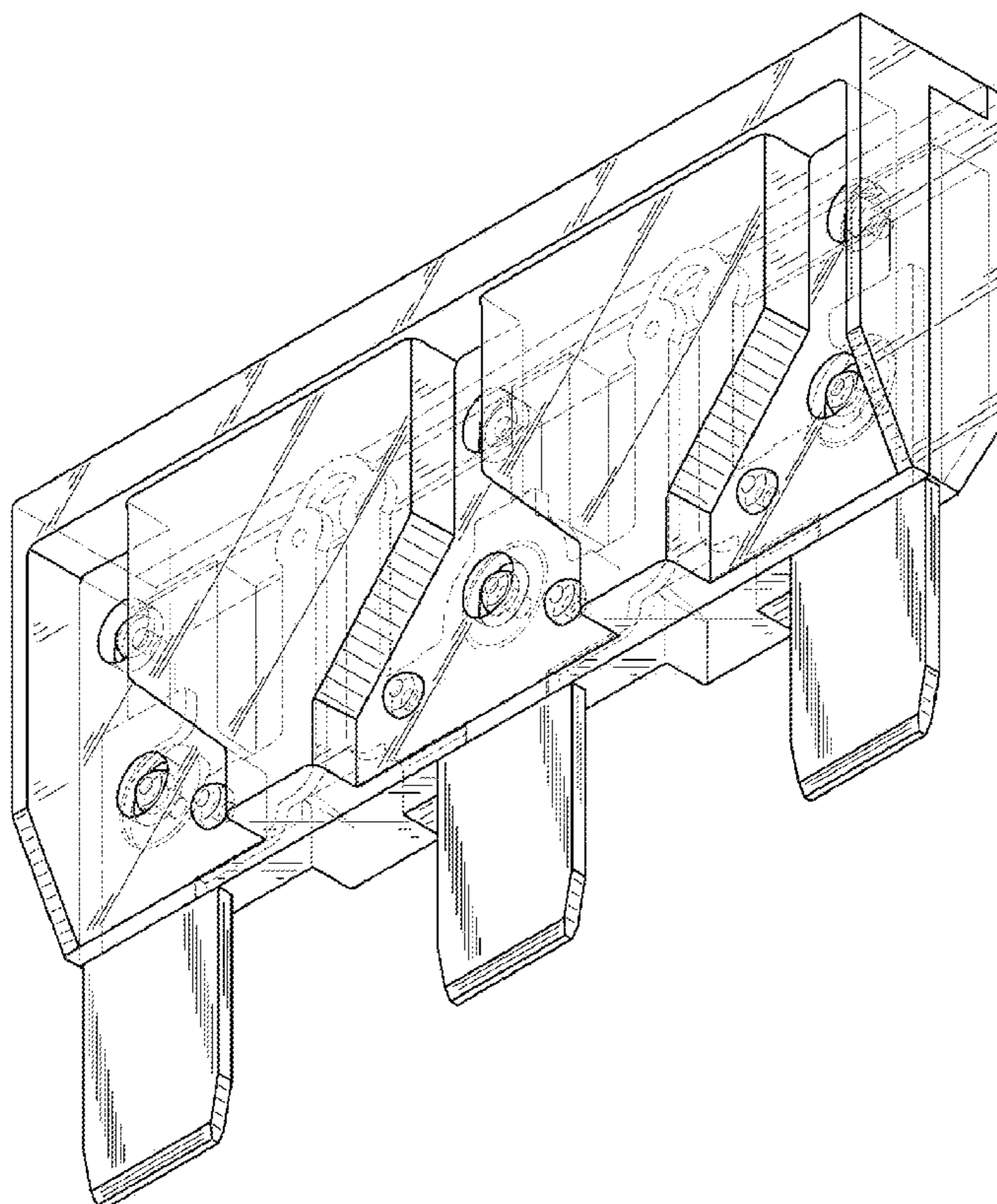
(57) **CLAIM**
The ornamental design for fuse, as shown and described.

(56) **References Cited**
U.S. PATENT DOCUMENTS
4,635,023 A * 1/1987 Oh 337/163
6,448,897 B1 * 9/2002 Ku 340/638

DESCRIPTION

FIG. 1 is a perspective view of a fuse showing my new design; FIG. 2 is a front view thereof; FIG. 3 is a rear view thereof; FIG. 4 is a top plan view thereof; FIG. 5 is a bottom plan view thereof; and, FIG. 6 is a right side view thereof, the left side view being a mirror image. The oblique shade lines shown in the drawings represent the housing being transparent. The features shown in the broken lines in the drawings depict environmental subject matter only and form no part of the claimed design.

1 Claim, 6 Drawing Sheets



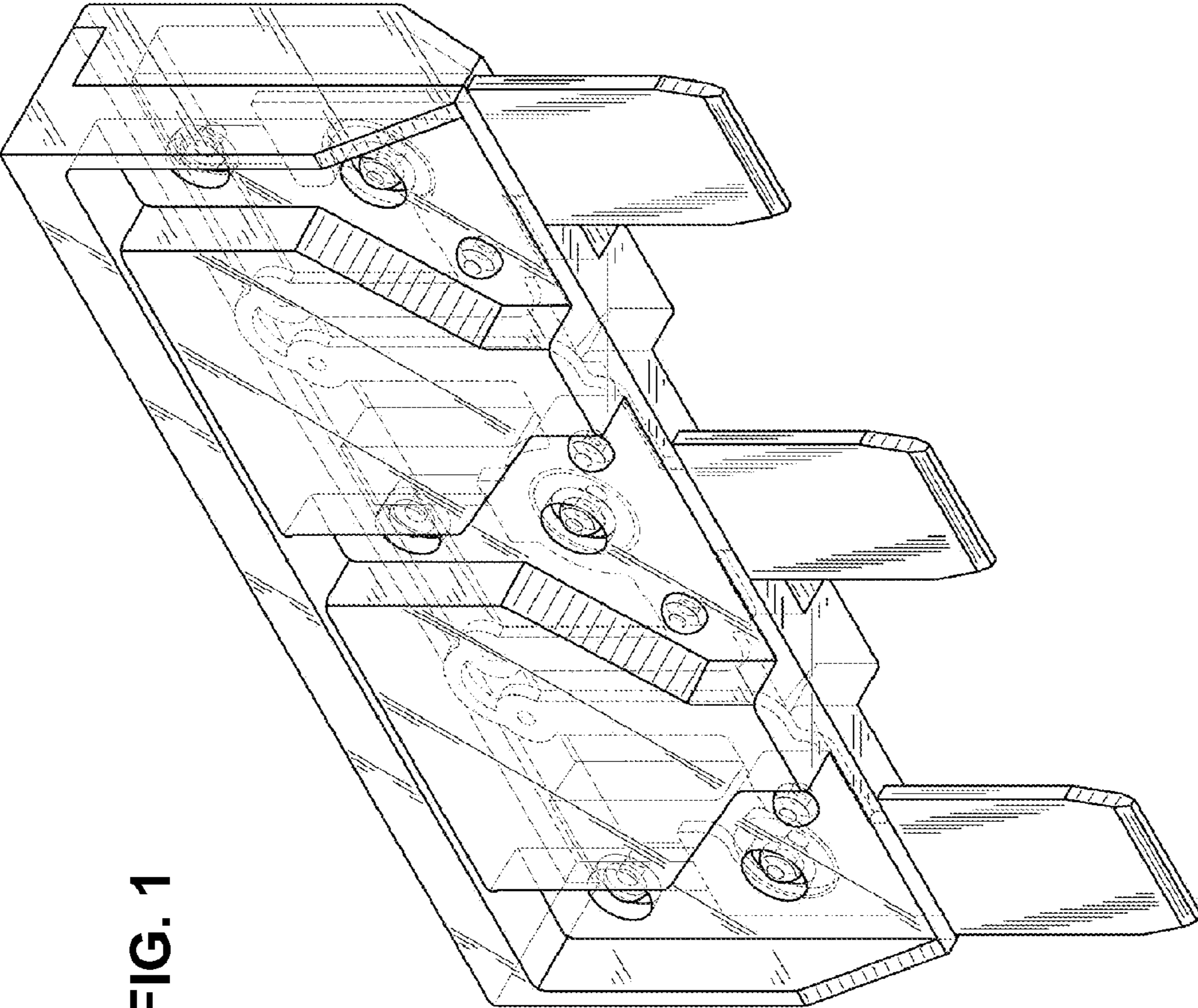


FIG. 1

FIG. 2

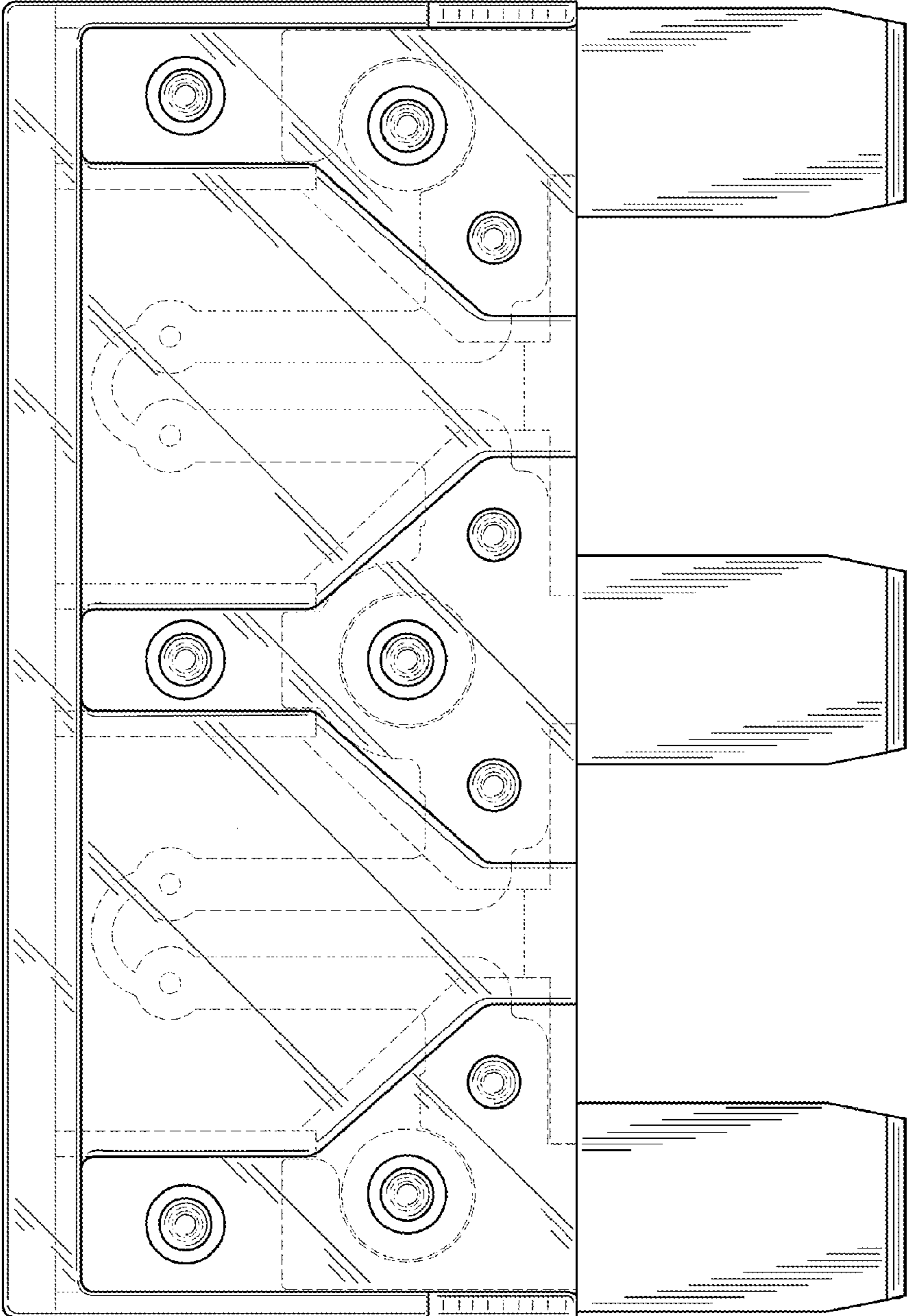


FIG. 3

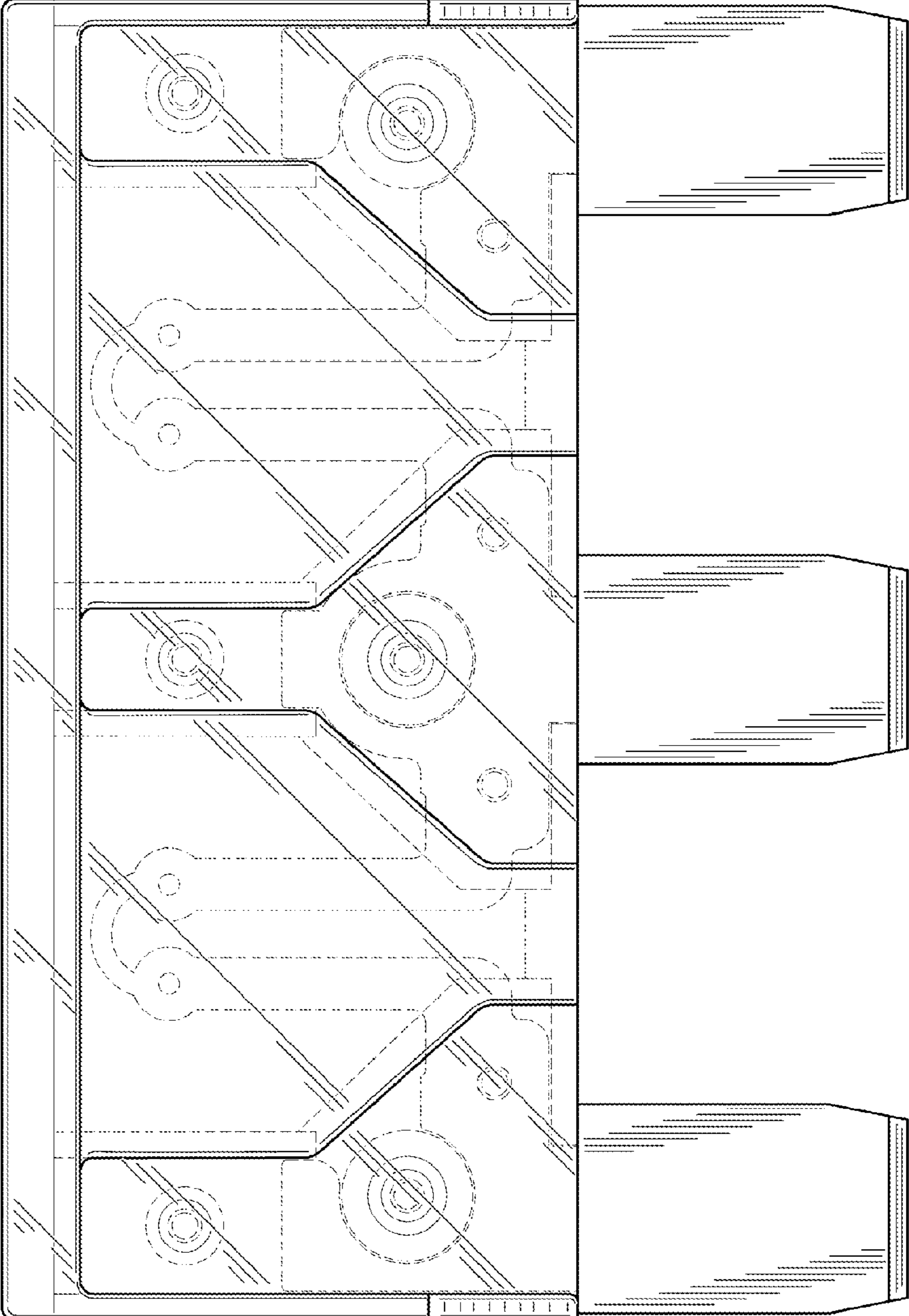


FIG. 4

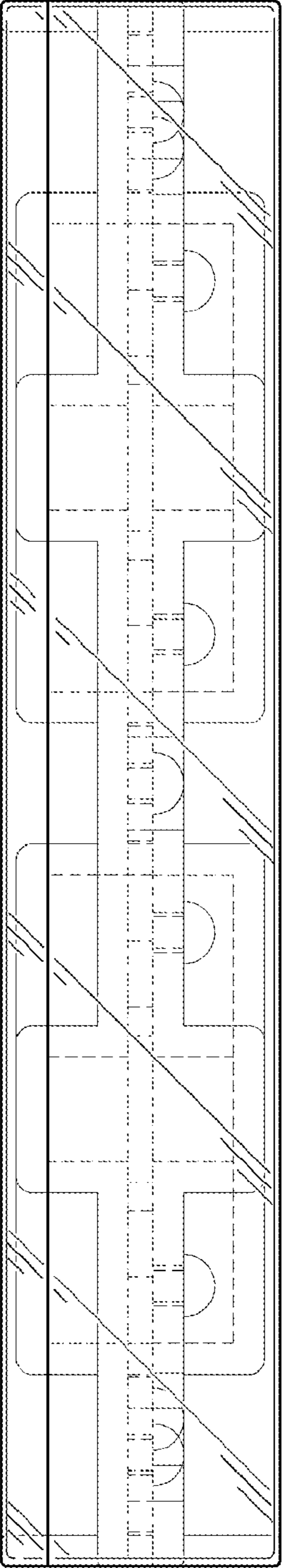


FIG. 5

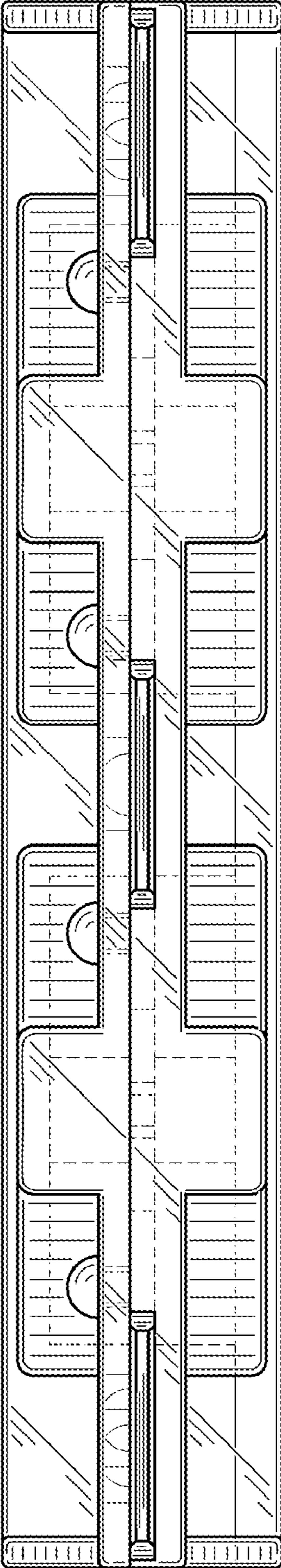


FIG. 6

