

US00D697033S

(12) **United States Design Patent**
Hashimoto et al.

(10) **Patent No.:** **US D697,033 S**
(45) **Date of Patent:** **** Jan. 7, 2014**

(54) **RELAY**

(71) Applicant: **OMRON Corporation**, Kyoto (JP)

(72) Inventors: **Ryuichi Hashimoto**, Kyoto (JP);
Keisuke Yano, Kyoto (JP)

(73) Assignee: **Omron Corporation**, Kyoto (JP)

(**) Term: **14 Years**

(21) Appl. No.: **29/433,370**

(22) Filed: **Sep. 28, 2012**

(30) **Foreign Application Priority Data**

Apr. 17, 2012 (JP) 2012-9011
Apr. 17, 2012 (JP) 2012-9012
Apr. 17, 2012 (JP) 2012-9013
Apr. 17, 2012 (JP) 2012-9014

(51) **LOC (10) Cl.** **13-03**

(52) **U.S. Cl.**
USPC **D13/159**

(58) **Field of Classification Search**
USPC D13/158, 159, 160, 162, 184, 199;
200/43.14, 50.01, 50.21–50.23;
361/42, 44, 50, 71, 115, 608, 634;
335/78–129

See application file for complete search history.

(56) **References Cited**

U.S. PATENT DOCUMENTS

4,459,573 A * 7/1984 Watts et al. 335/167
D305,531 S * 1/1990 Suzuki et al. D13/126
D308,664 S * 6/1990 Freeman et al. D14/256
D337,993 S * 8/1993 Garthwaite et al. D13/156
D400,512 S * 11/1998 Korhonen D13/184

D400,513 S * 11/1998 Seirio D13/184
D409,623 S * 5/1999 Bianco D14/240
D536,670 S * 2/2007 Mahoney D13/151
D544,441 S * 6/2007 Sichner et al. D13/123
D557,204 S * 12/2007 Panebianco et al. D13/103
D664,930 S * 8/2012 Wu D13/159

OTHER PUBLICATIONS

Japanese Office Action dated Sep. 7, 2012 issued in Japanese Application No. 2012-009013.

Japanese Office Action dated Sep. 7, 2012 issued in Japanese Application No. 2012-009014.

“New Electronic Products,” 6th Issue, Jun. 1, 1995, p. 53 (furnished in the JPO National Center for Industrial Property Information on Jun. 7, 1995 and assigned JPO Design Division Prior Art Ref. No. HA07010495).

* cited by examiner

Primary Examiner — Thomas Johannes

(74) *Attorney, Agent, or Firm* — Harness, Dickey & Pierce, P.L.C.

(57) **CLAIM**

The ornamental design for a relay, as shown and described.

DESCRIPTION

FIG. 1 is a top, front and left side perspective view of a relay showing our new design;

FIG. 2 is a bottom, rear and left side perspective view thereof;

FIG. 3 is a front elevational view thereof;

FIG. 4 is a rear elevational view thereof;

FIG. 5 is a left side view thereof;

FIG. 6 is a right side view thereof;

FIG. 7 is a top plan view thereof; and,

FIG. 8 is a bottom plan view thereof.

The broken lines depict environmental subject matter only and form no part of the claimed design.

1 Claim, 4 Drawing Sheets

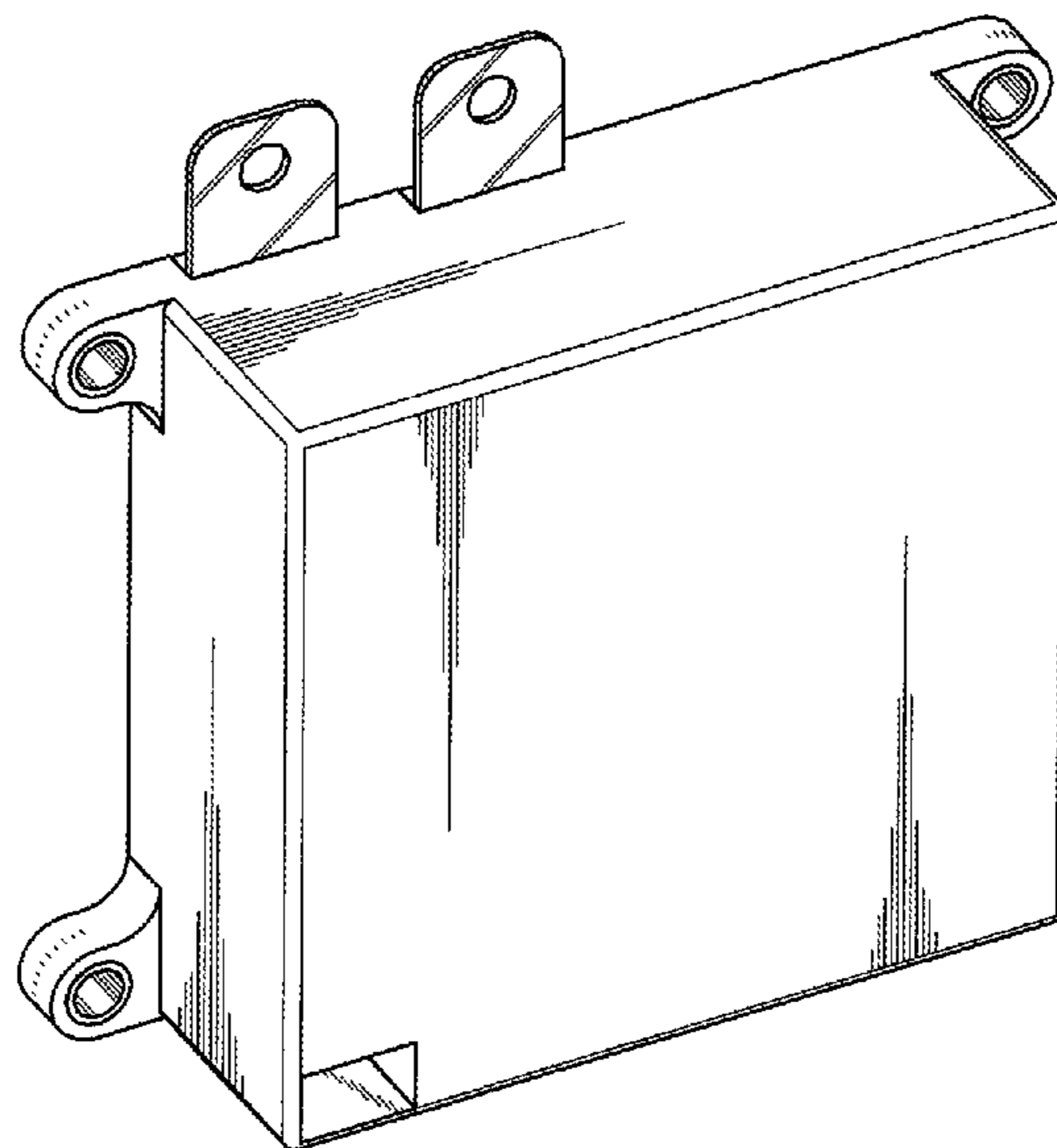


Fig. 1

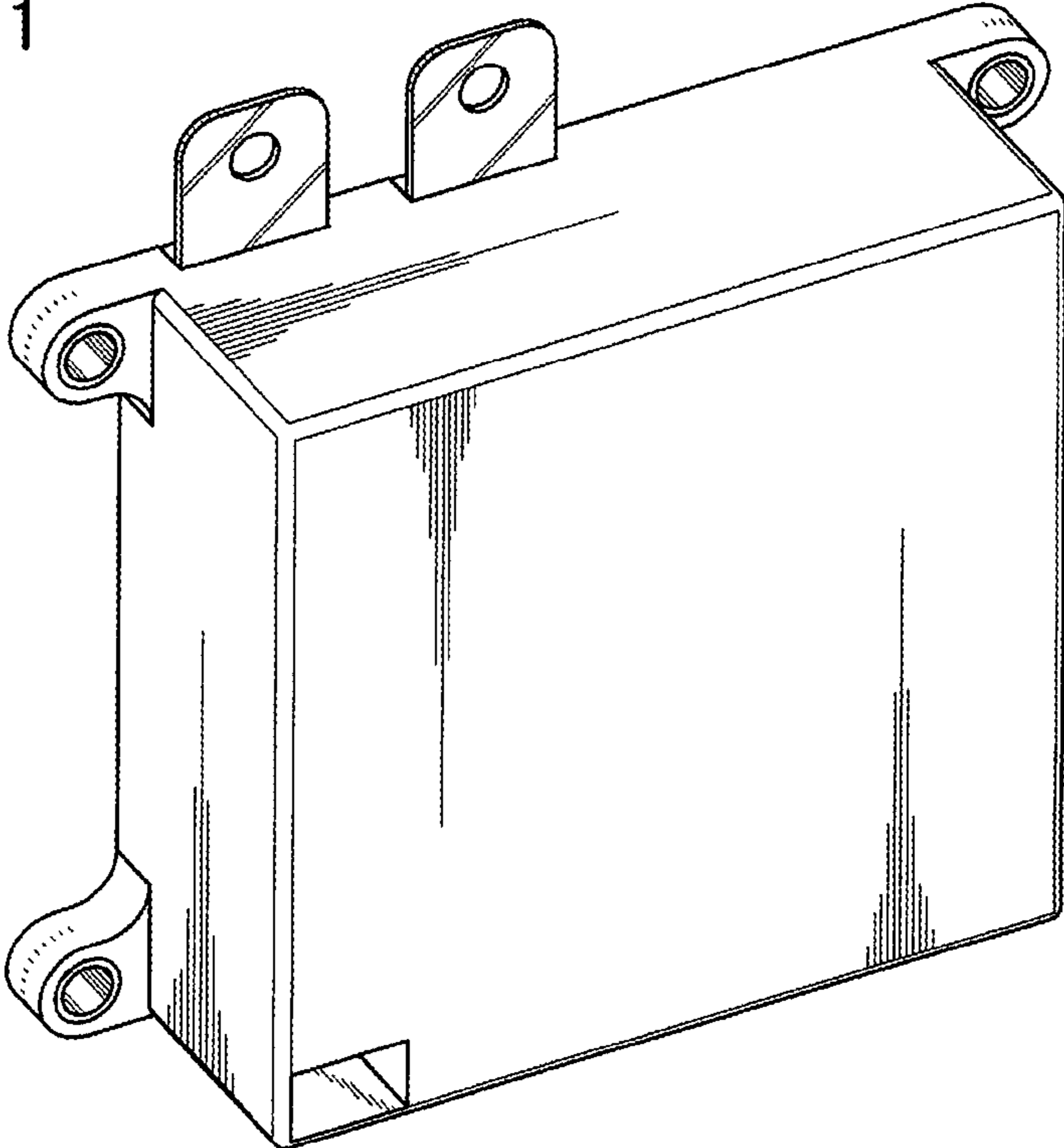


Fig. 2

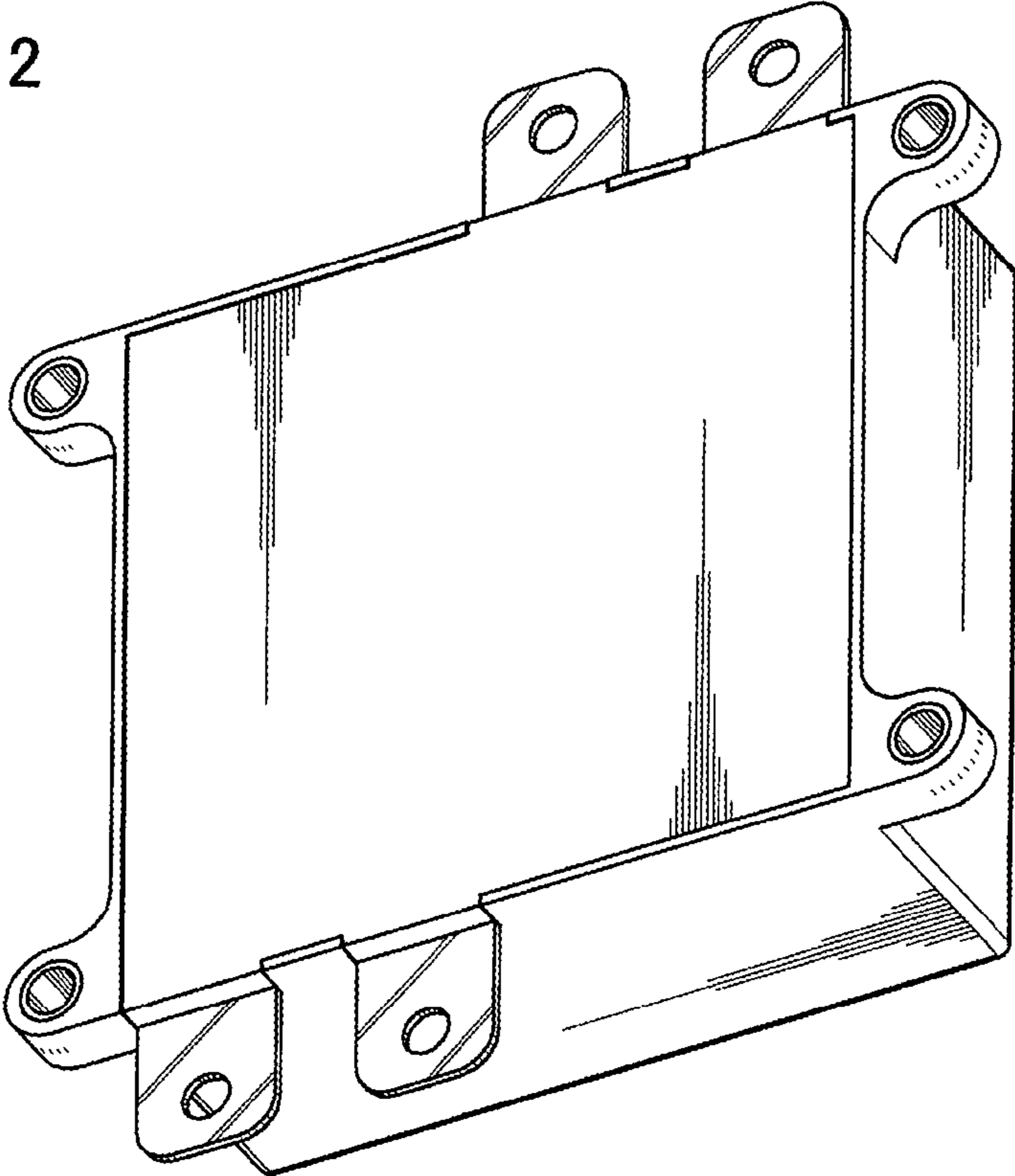


Fig. 3

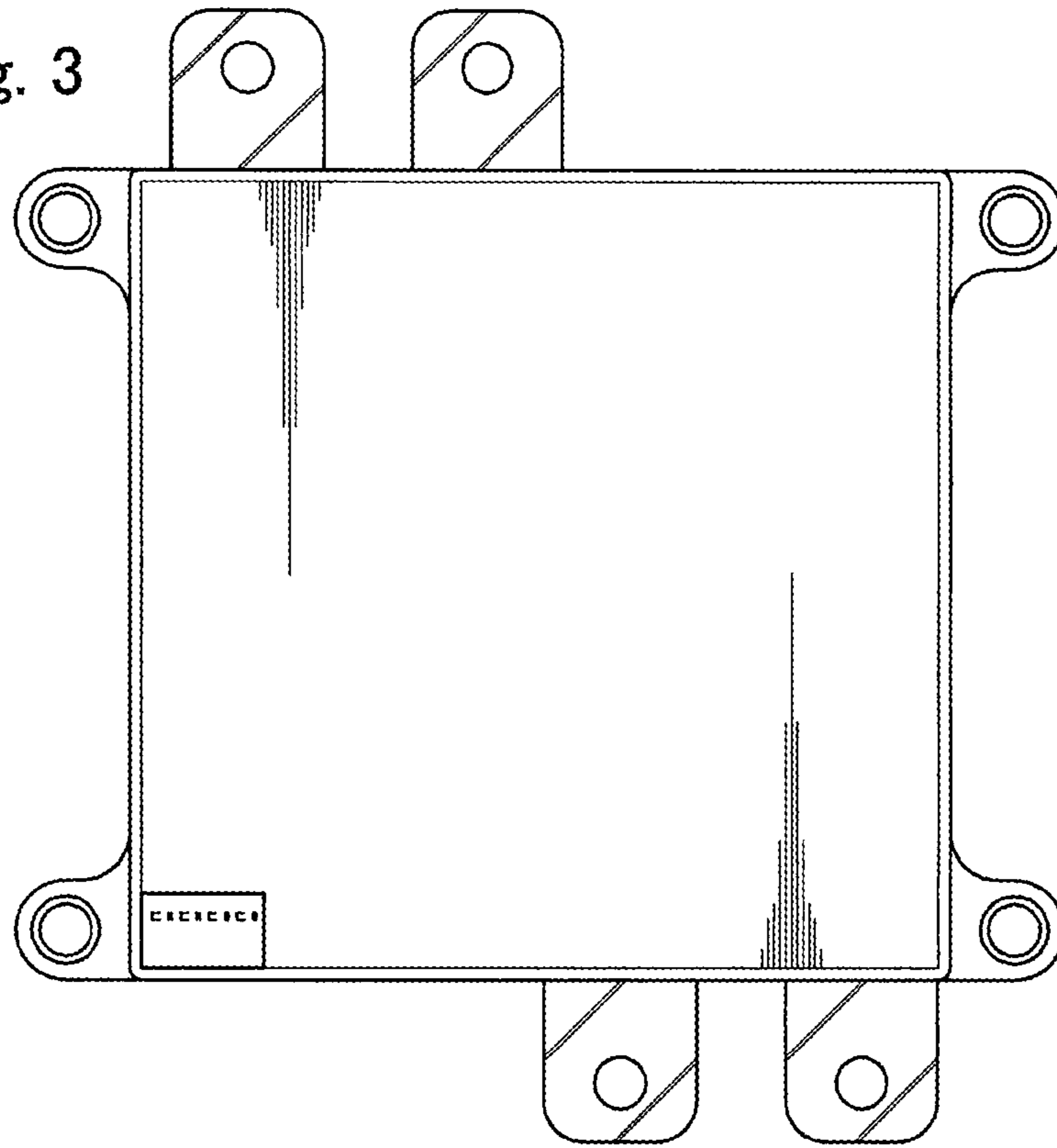


Fig. 4

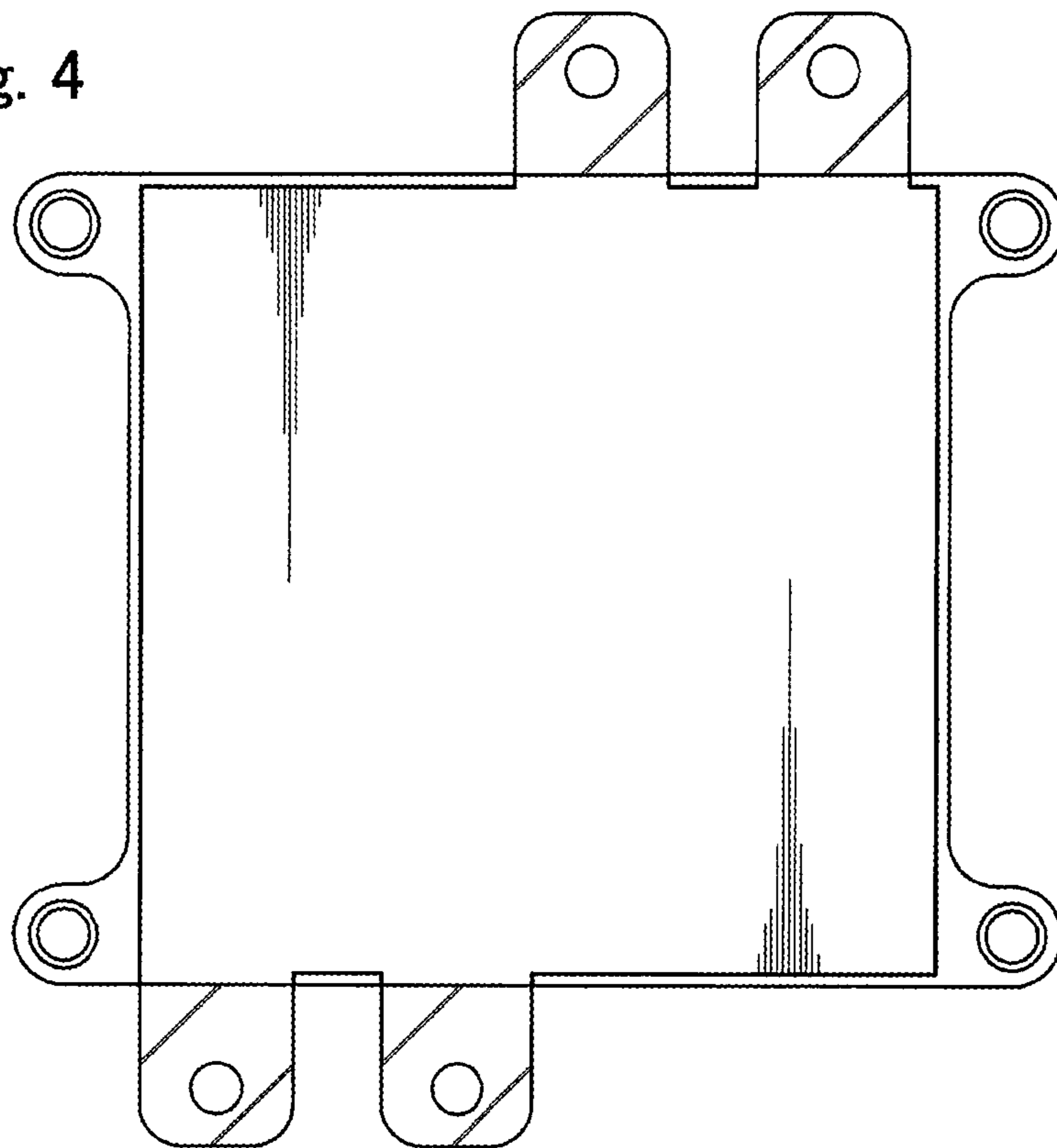


Fig. 5

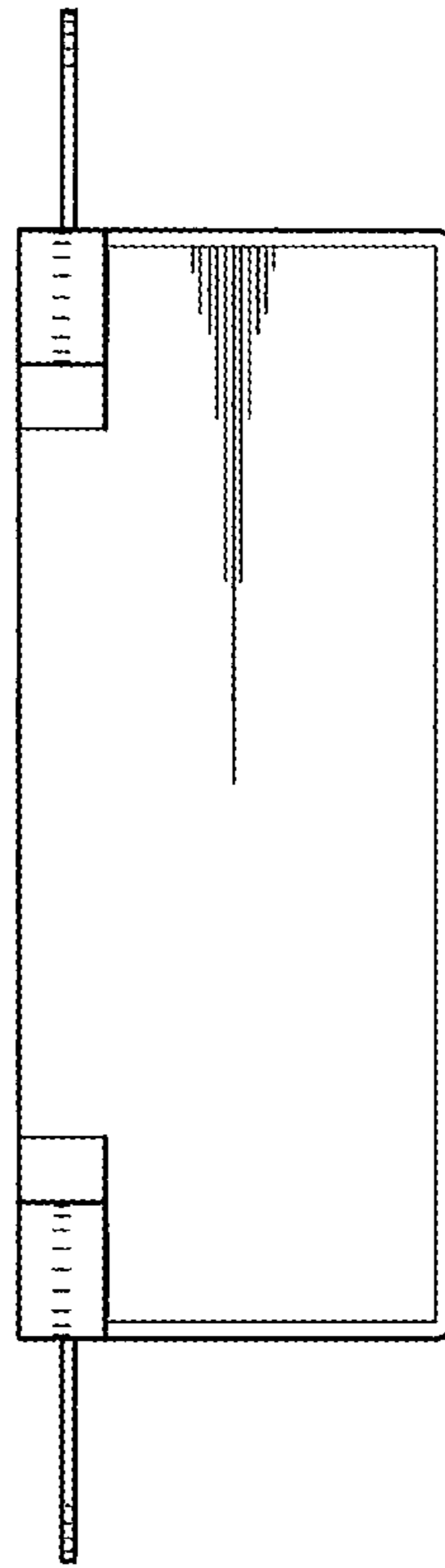


Fig. 6

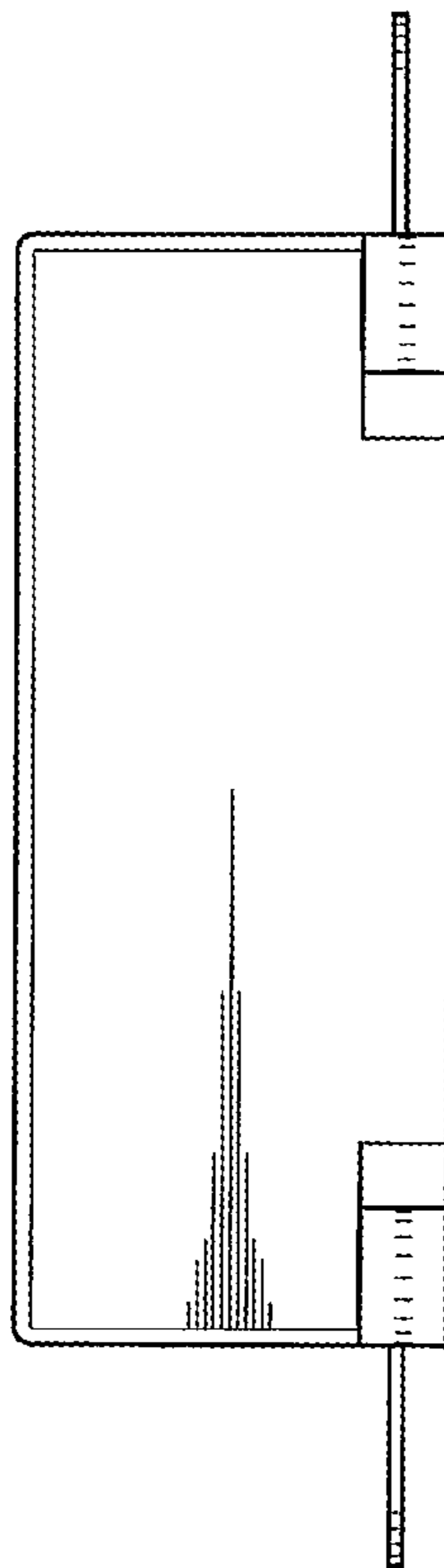


Fig. 7

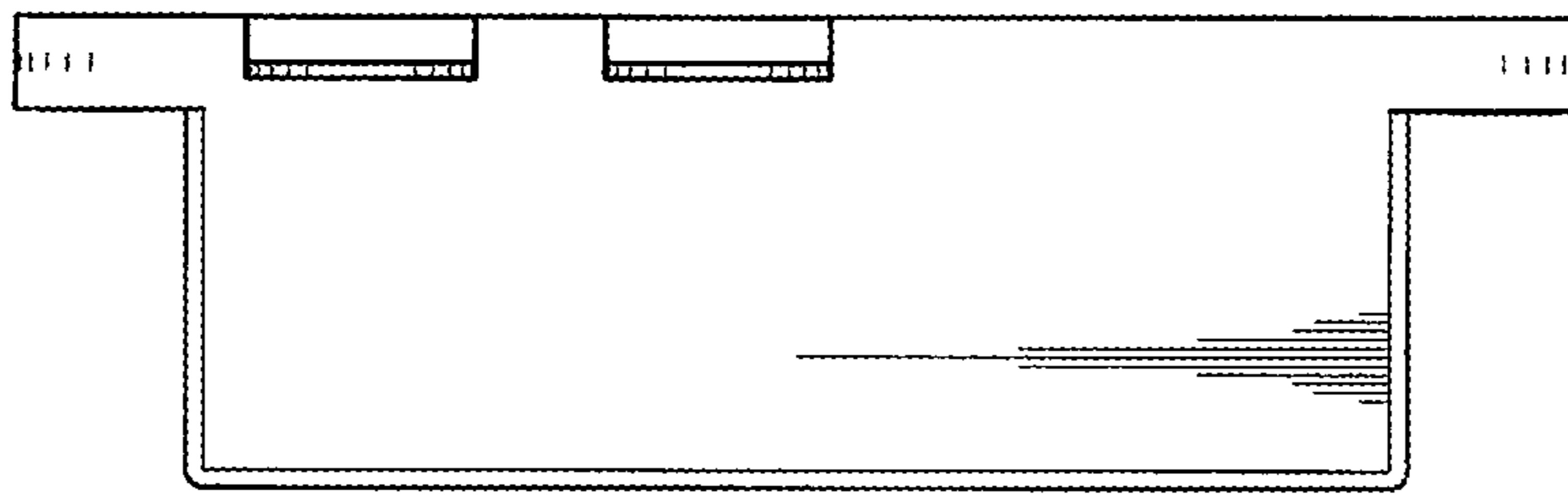


Fig. 8

