



US00D697032S

(12) **United States Design Patent**
Ohashi et al.

(10) **Patent No.:** **US D697,032 S**
(45) **Date of Patent:** **** Jan. 7, 2014**

(54) **RELAY BUS BAR WITH BUILT-IN CURRENT SENSOR**

(75) Inventors: **Shingo Ohashi**, Osaka (JP); **Takeshi Baba**, Osaka (JP); **Izumi Suzuki**, Yokkaichi (JP); **Tomoyuki Kondo**, Yokkaichi (JP)

(73) Assignees: **Sumitomo Electric Industries, Ltd.**, Osaka (JP); **Sumitomo Wiring Systems, Ltd.**, Mie (JP); **Autonetworks Technologies, Ltd.**, Mie (JP)

(**) Term: **14 Years**

(21) Appl. No.: **29/429,081**

(22) Filed: **Aug. 7, 2012**

(30) **Foreign Application Priority Data**

Feb. 9, 2012 (JP) D2012-002683

(51) **LOC (10) Cl.** **13-03**

(52) **U.S. Cl.**
USPC **D13/159**

(58) **Field of Classification Search**
USPC D13/158, 159, 160, 162, 184, 199;
200/43.14, 50.01, 50.21–50.23, 51 R,
200/293; 361/42, 44, 50, 71, 115, 608, 634;
335/78–129

See application file for complete search history.

(56) **References Cited**

U.S. PATENT DOCUMENTS

D403,665 S * 1/1999 Cornu D13/159
D404,012 S * 1/1999 Cornu D13/159
6,538,878 B1 * 3/2003 Acker et al. 361/624
D480,364 S * 10/2003 Bluemel D13/159
D519,086 S * 4/2006 Bluemel D13/159

D540,265 S * 4/2007 Lai D13/149
7,497,711 B2 * 3/2009 Gherardini et al. 439/212
7,717,747 B2 5/2010 Korich et al.
D647,055 S * 10/2011 Sakae D13/120
D670,254 S * 11/2012 Wu D13/159
8,339,767 B2 * 12/2012 Grimm et al. 361/311
2003/0073349 A1 * 4/2003 Nagao et al. 439/620
2009/0015992 A1 * 1/2009 Nohara et al. 361/624
2011/0127061 A1 * 6/2011 Gotou 174/68.2
2012/0063188 A1 3/2012 Hotta et al.

FOREIGN PATENT DOCUMENTS

JP 2008-114839 A 5/2008
JP 2011-015586 A 1/2011
JP 2011-209158 A 10/2011

* cited by examiner

Primary Examiner — Thomas Johannes

(74) *Attorney, Agent, or Firm* — McDermott Will & Emery LLP

(57) **CLAIM**

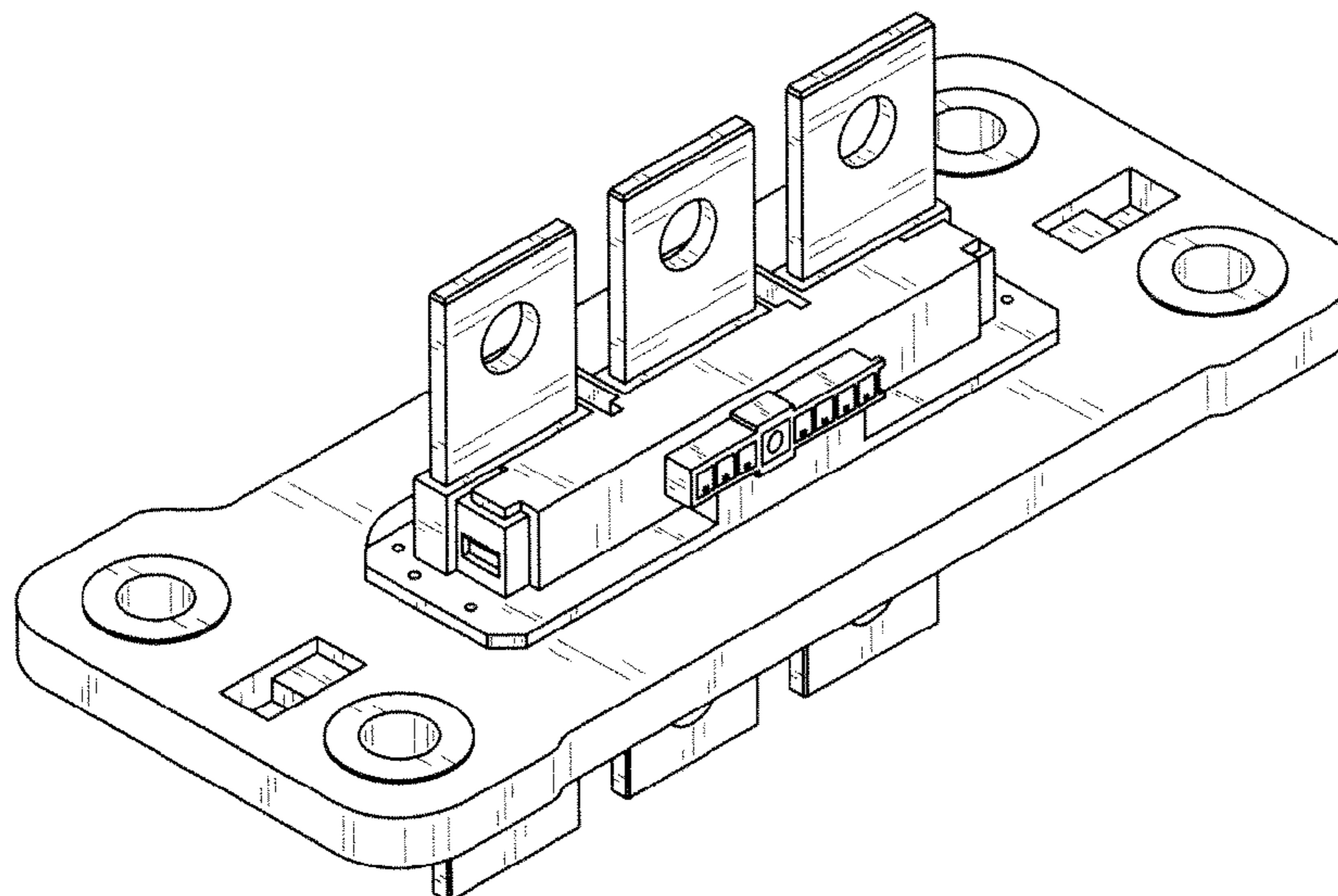
The ornamental design for a relay bus bar with built-in current sensor, as shown and described.

DESCRIPTION

FIG. 1 is a front perspective view of a relay bus bar with built-in current sensor, showing our new design;
FIG. 2 is a rear perspective view thereof;
FIG. 3 is a front view thereof;
FIG. 4 is a top plan view thereof;
FIG. 5 is a right side view thereof;
FIG. 6 is a left side view thereof;
FIG. 7 is a rear view thereof; and,
FIG. 8 is a bottom view thereof.

The broken line portion of the figure drawings is included to show unclaimed subject matter only and forms no part of the claimed design.

1 Claim, 8 Drawing Sheets



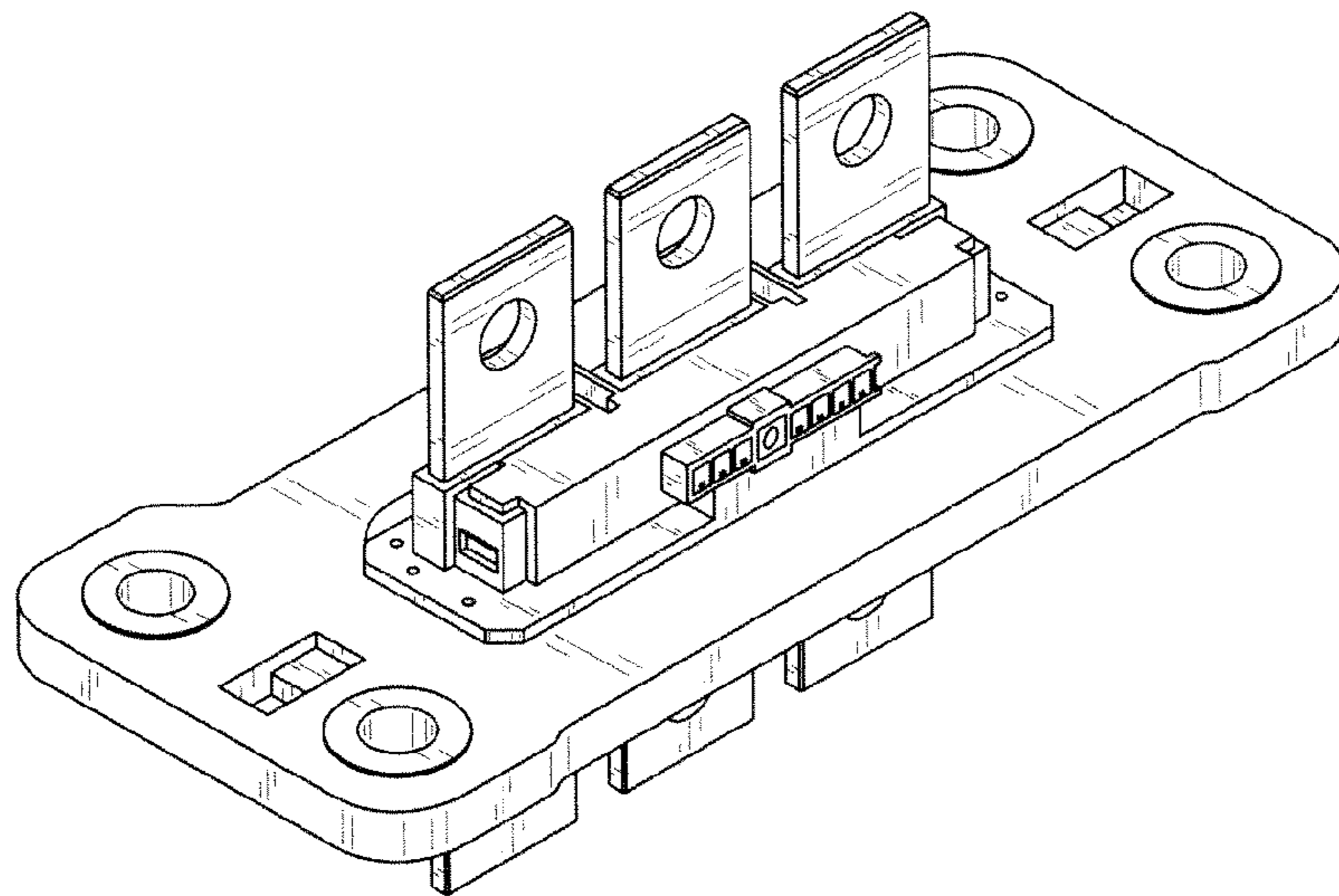


FIG. 1

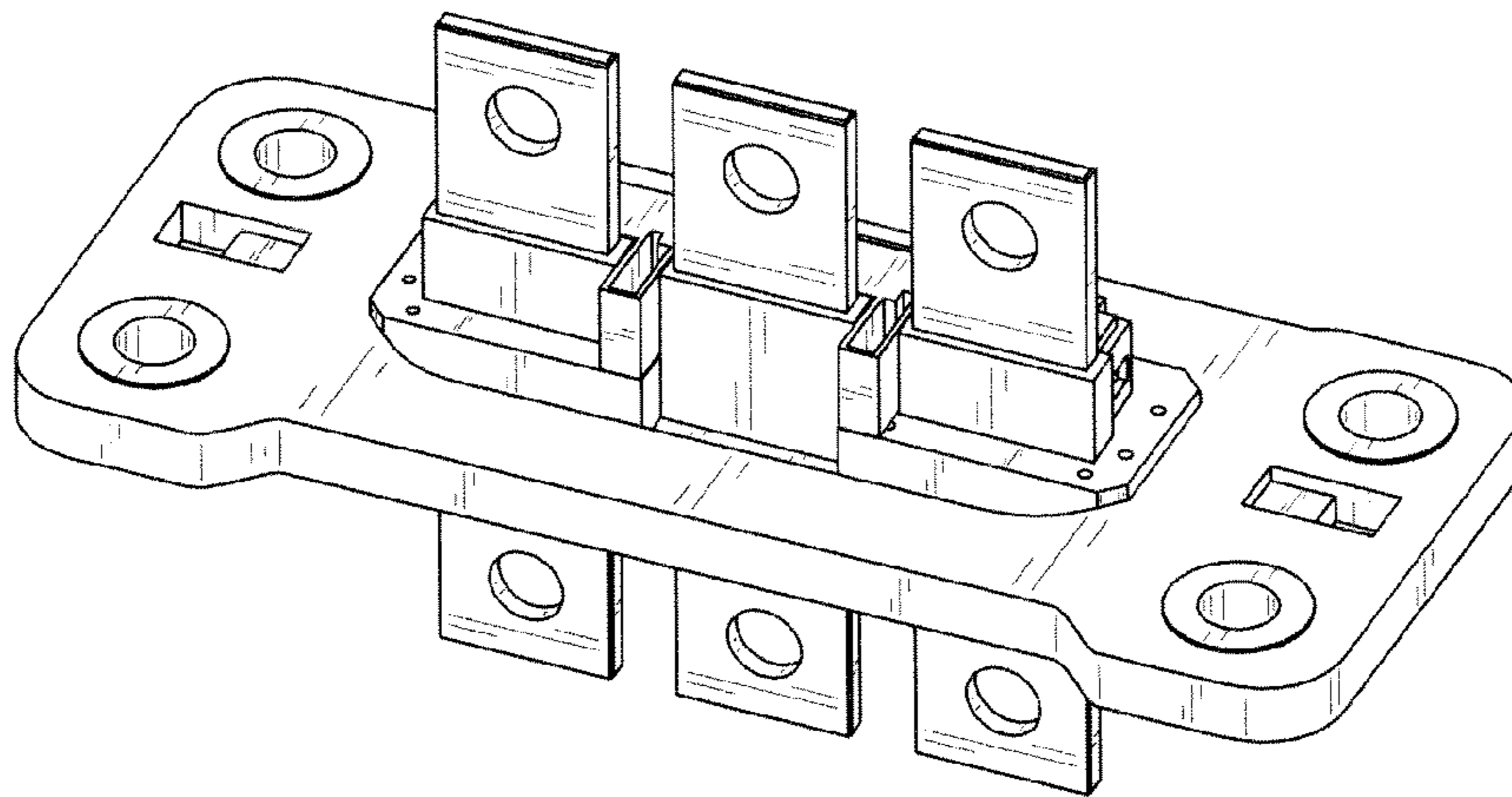


FIG. 2

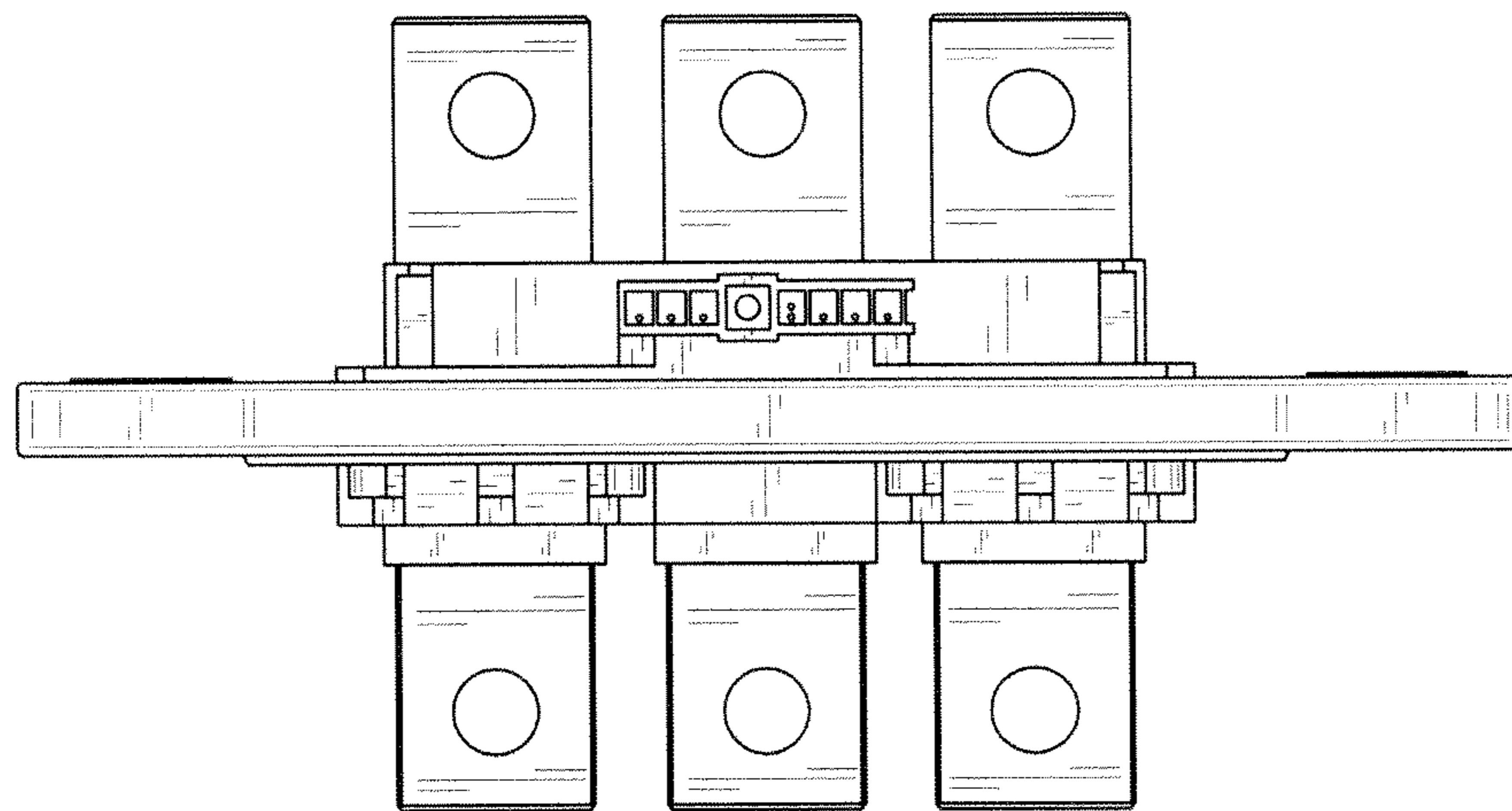


FIG. 3

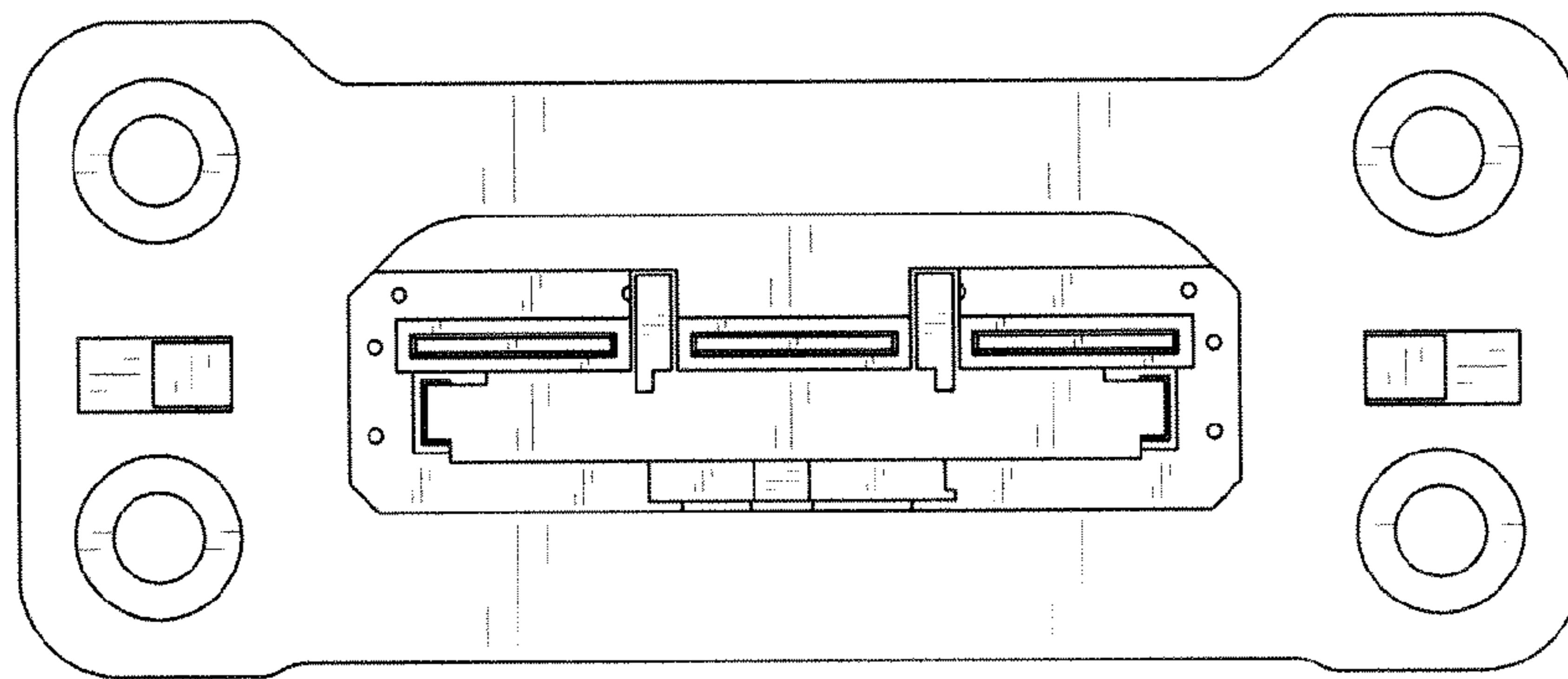


FIG. 4

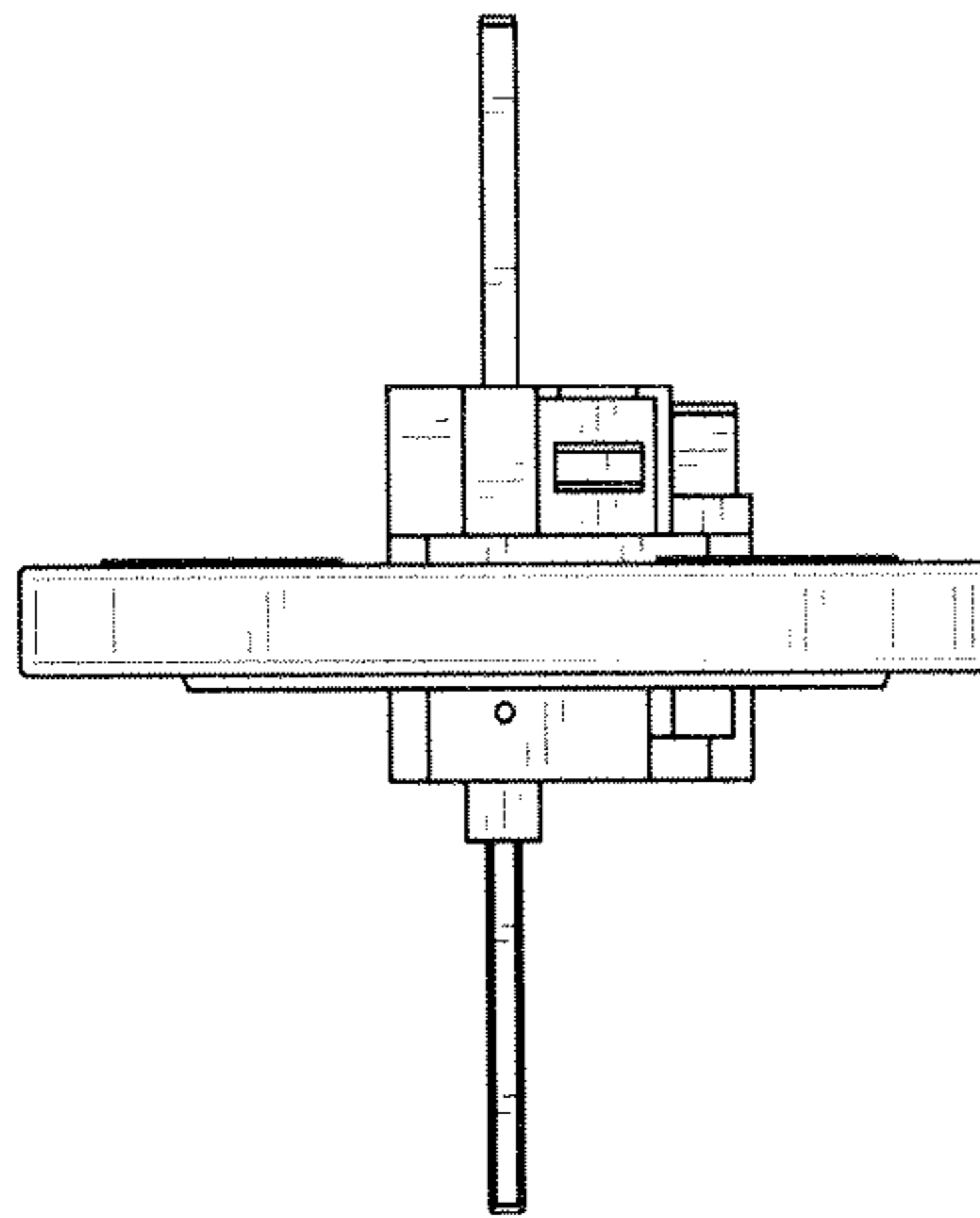


FIG. 5

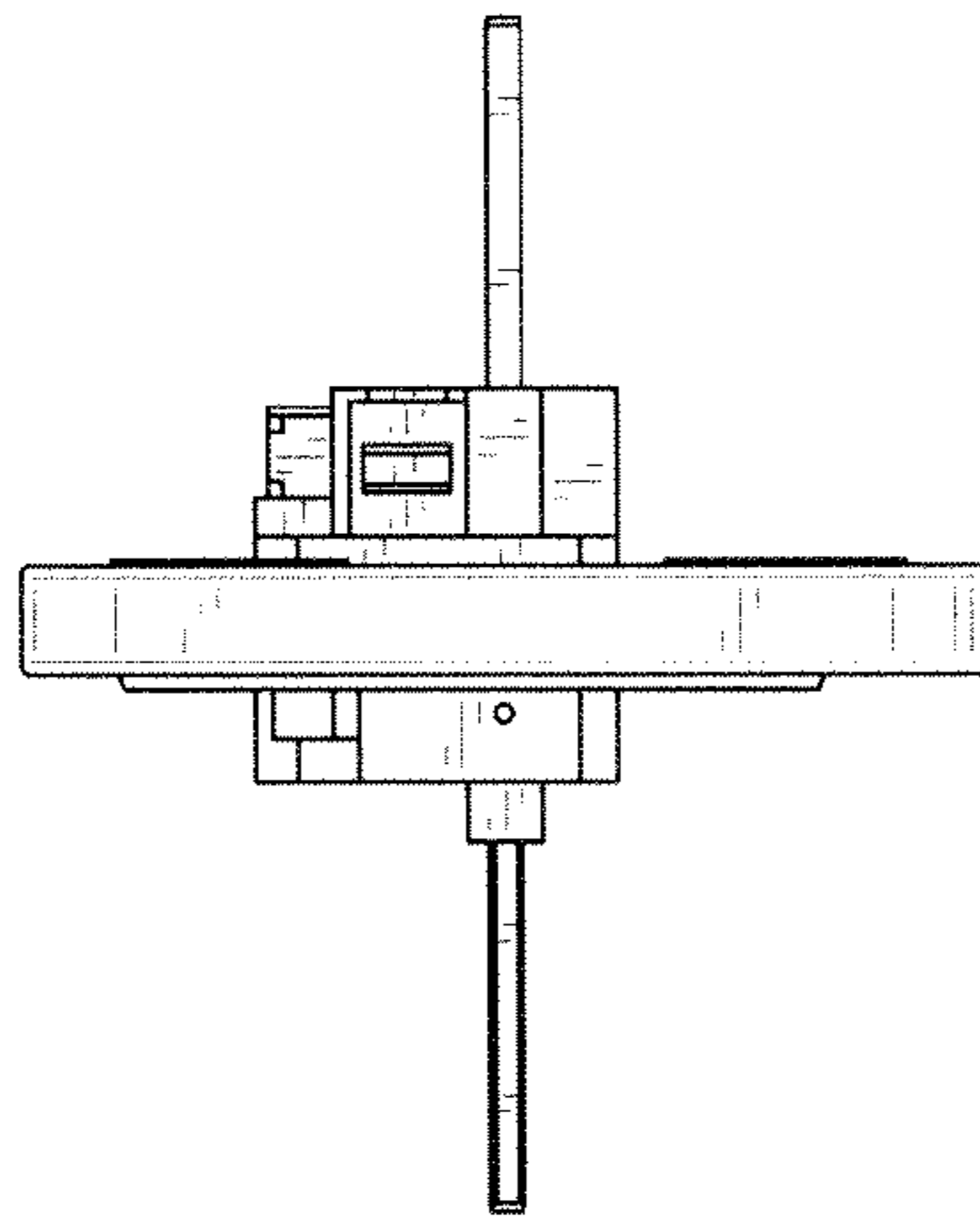


FIG. 6

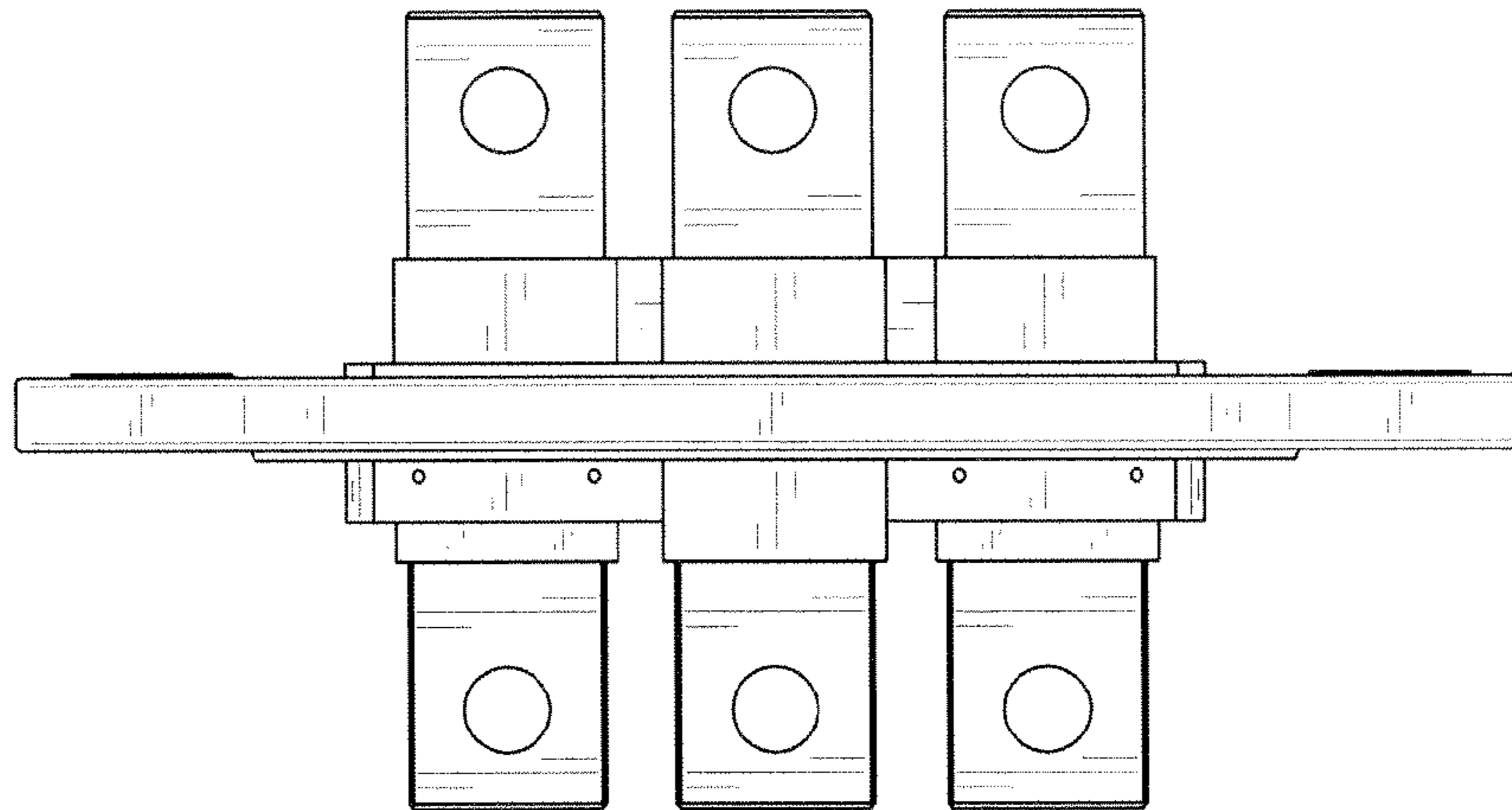


FIG. 7

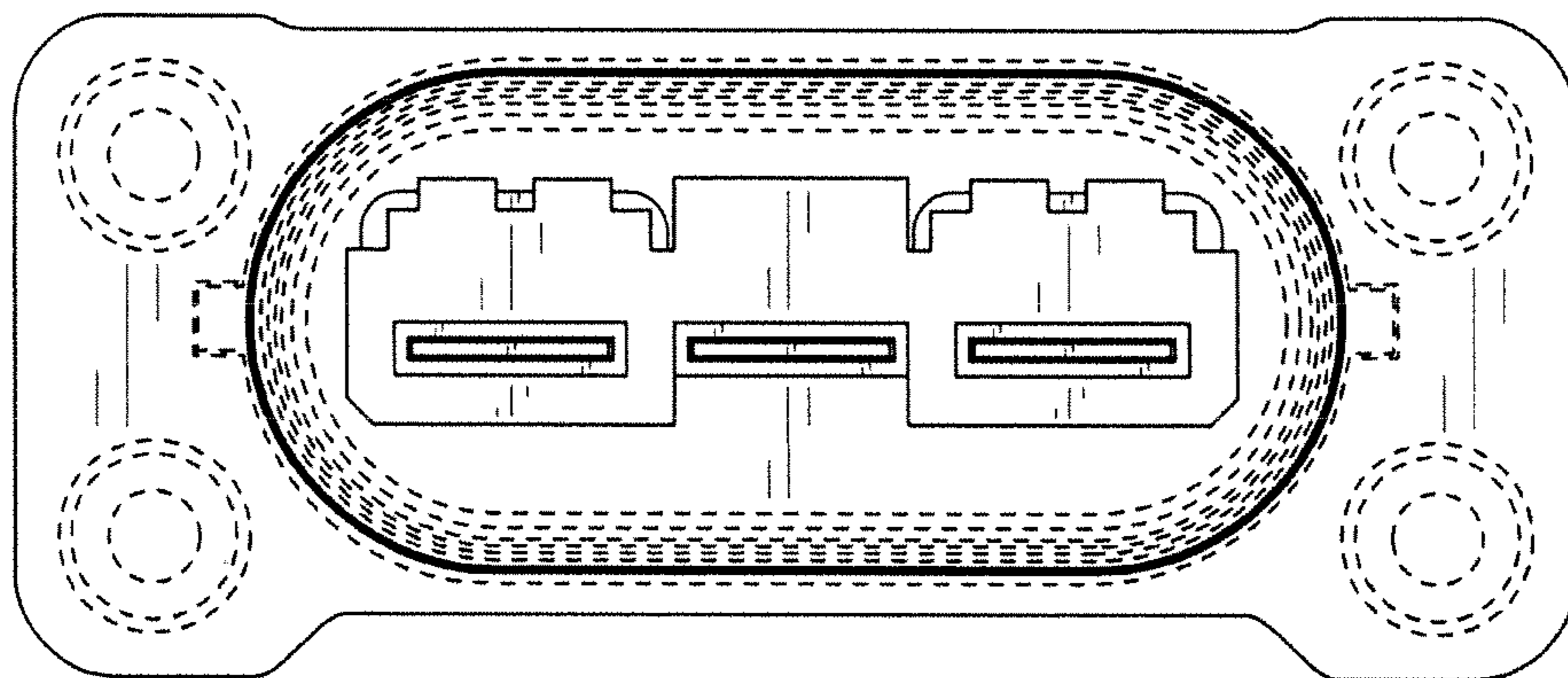


FIG. 8