

US00D697028S

(12) **United States Design Patent**
Workman et al.

(10) **Patent No.:** **US D697,028 S**
(45) **Date of Patent:** **** Jan. 7, 2014**

(54) **ENERGY STORAGE AND POWER SUPPLY DEVICE**

(75) Inventors: **Robert E. Workman**, Morgan, UT (US);
Erik R. Workman, Salt Lake City, UT (US);
Norm Krantz, Logan, UT (US);
Joseph R. Atkin, Highland, UT (US);
Walker Ford, Bluffdale, UT (US)

(73) Assignee: **Goal Zero LLC**, Bluffdale, UT (US)

(**) Term: **14 Years**

(21) Appl. No.: **29/410,376**

(22) Filed: **Jan. 6, 2012**

(51) **LOC (10) Cl.** **13-02**

(52) **U.S. Cl.**
USPC **D13/110**

(58) **Field of Classification Search**
USPC D13/107, 108, 110, 137.1, 137.2, 138.1,
D13/138.2, 138.3, 138.4, 139.1–139.8, 146,
D13/147, 152, 154, 155, 156, 158, 169, 170,
D13/173, 177; D14/432, 433; 174/50, 52,
174/53, 54, 55, 56, 58, 59, 66, 480, 481,
174/494, 505; 439/105–107, 344, 378, 535,
439/650–655, 675, 676, 692, 693, 709
See application file for complete search history.

(56) **References Cited**

U.S. PATENT DOCUMENTS

D45,257 S	2/1914	Hasburg	
D60,285 S	1/1922	Appleton	
2,233,067 A *	2/1941	Alden	439/692
3,026,957 A	3/1962	Gladstone	
D192,757 S	5/1962	Foss	
D201,320 S	6/1965	Hirohama	
3,438,529 A	4/1969	Lohrer	
D221,081 S	7/1971	Kahn	

4,179,179 A *	12/1979	Lowden	439/278
D265,189 S *	6/1982	Eriksson et al.	D10/114.1
4,497,881 A	2/1985	Bertolino	
4,587,450 A	5/1986	Ozaki	
D298,931 S *	12/1988	Sekiguchi	D13/147
D364,375 S	11/1995	Sakashita et al.	
5,582,180 A *	12/1996	Manset et al.	600/508
D428,853 S *	8/2000	Burwell et al.	D13/146
D440,205 S *	4/2001	Lord	D13/147
D456,353 S	4/2002	Shown et al.	
D474,449 S *	5/2003	Rosander	D13/147
D544,834 S	6/2007	Weinstein	
D554,621 S	11/2007	Yao	
D560,167 S *	1/2008	Malis et al.	D13/146
D562,775 S *	2/2008	Cuff et al.	D13/147
D563,885 S *	3/2008	Dever	D13/147
D565,981 S *	4/2008	Radecke et al.	D10/80
D568,810 S	5/2008	Weinstein	

(Continued)

OTHER PUBLICATIONS

Images of commercial battery chargers. Dates unknown, 1 page.

(Continued)

Primary Examiner — Derrick Holland
Assistant Examiner — Lauren Calve
(74) *Attorney, Agent, or Firm* — Foley & Lardner LLP

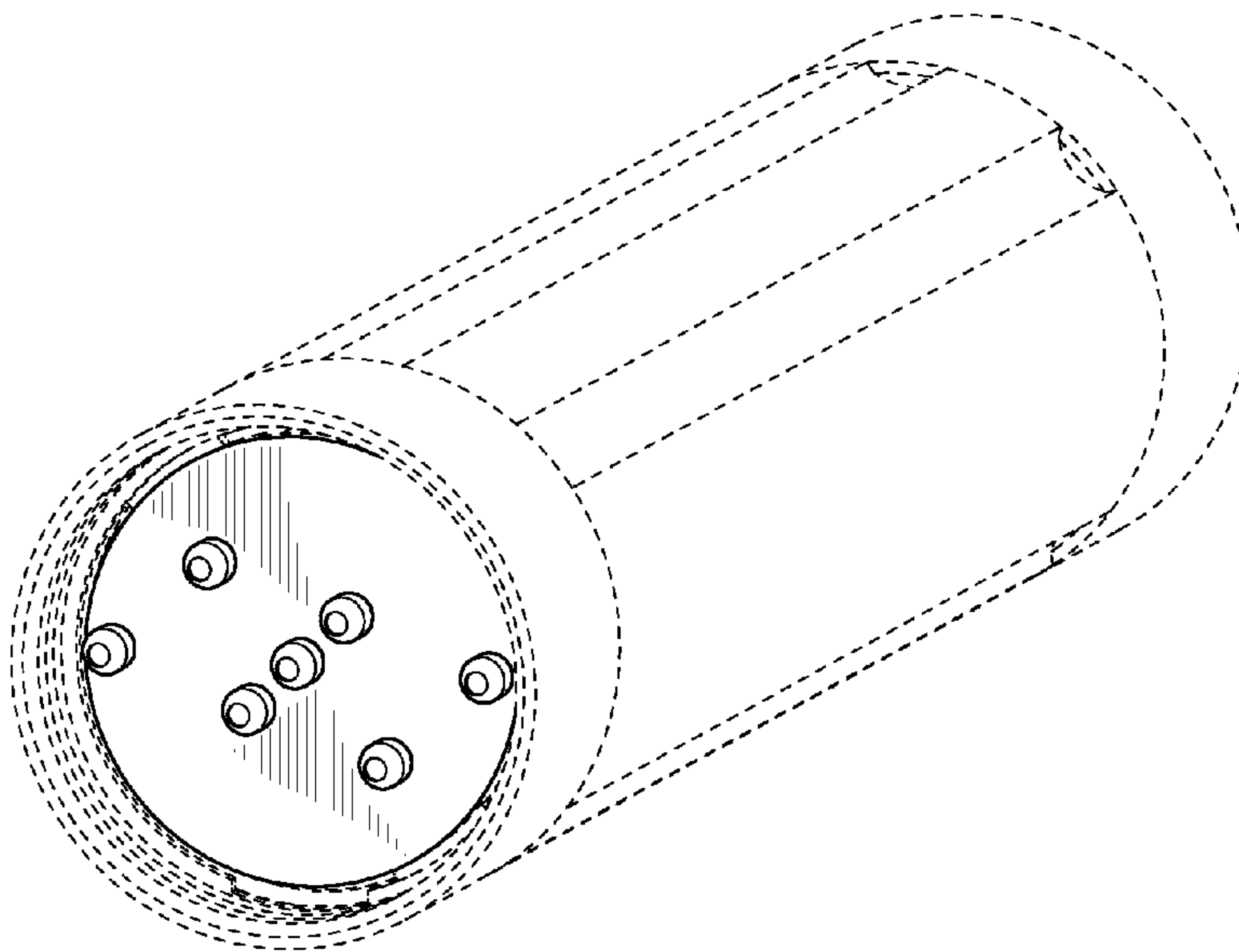
(57) **CLAIM**

We claim the ornamental design for a energy storage and power supply device, as shown and described.

DESCRIPTION

FIG. 1 is a front perspective view of an energy storage and power supply device showing the claimed design; FIG. 2 is a left side view thereof; and, FIG. 3 is a right side view thereof. The broken line showing of FIGS. 1-3 represents unclaimed subject matter and forms no part of the claimed design.

1 Claim, 1 Drawing Sheet



(56)

References Cited

U.S. PATENT DOCUMENTS

D572,586 S 7/2008 Medema
D585,022 S 1/2009 Akita
D642,057 S 7/2011 Reed et al.
D650,771 S 12/2011 Chen
D651,564 S 1/2012 Workman et al.
D654,867 S 2/2012 Huppe
D664,499 S 7/2012 Workman et al.

2005/0032403 A1 2/2005 Ishihara
2011/0053409 A1* 3/2011 Muto et al. 439/374
2011/0256781 A1* 10/2011 Turco et al. 439/692

OTHER PUBLICATIONS

U.S. Appl. No. 29/410,386, filed Jan. 6, 2012, Workman et al.
U.S. Appl. No. 29/410,376, filed Jan. 6, 2012, Workman et al.
U.S. Appl. No. 29/410,375, filed Jan. 6, 2012, Workman et al.
U.S. Appl. No. 29/410,374, filed Jan. 6, 2012, Workman et al.

* cited by examiner

FIGURE 1

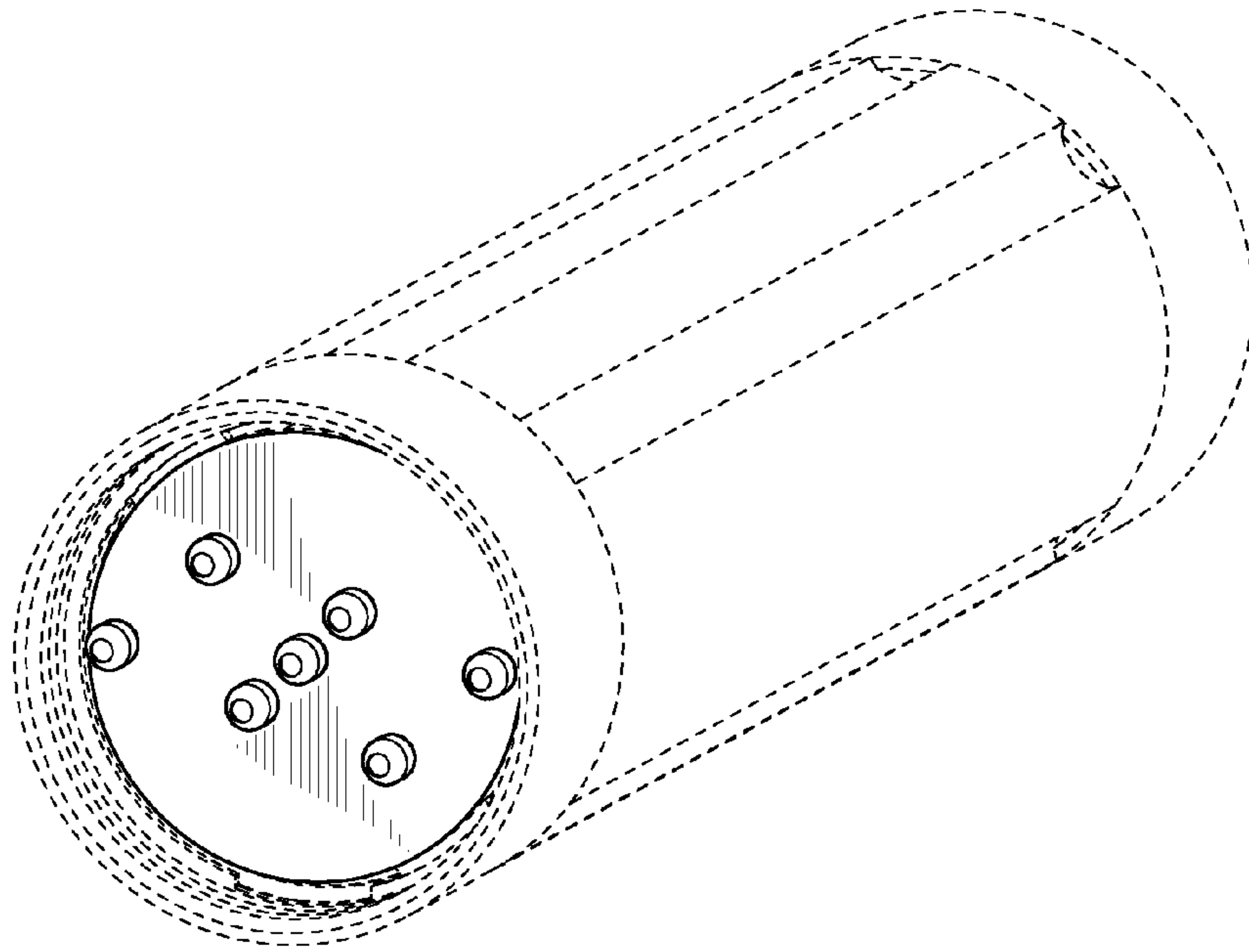


FIGURE 2

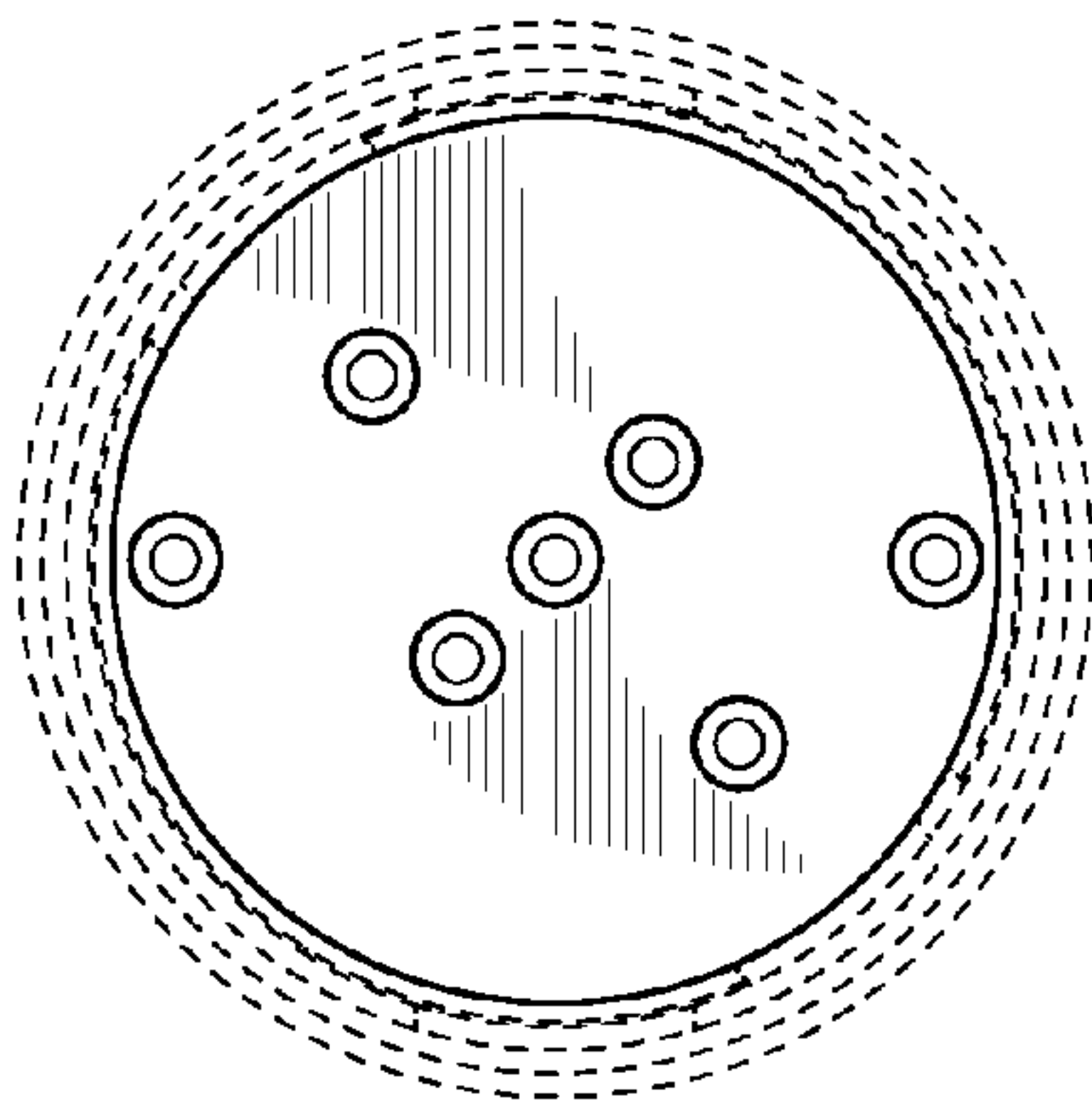


FIGURE 3

