



US00D697027S

(12) **United States Design Patent**
Ho

(10) **Patent No.:** **US D697,027 S**
(45) **Date of Patent:** **** Jan. 7, 2014**

(54) **WIRELESS CHARGER**
(71) Applicant: **LG Innotek Co., Ltd.**, Seoul (KR)
(72) Inventor: **Bang Jung Ho**, Seoul (KR)
(73) Assignee: **LG Innotek Co., Ltd.**, Seoul (KR)
(**) Term: **14 Years**

(21) Appl. No.: **29/456,064**
(22) Filed: **May 28, 2013**

(30) **Foreign Application Priority Data**
Nov. 30, 2012 (KR) 30-2012-0057714
(51) **LOC (10) Cl.** **13-02**
(52) **U.S. Cl.**
USPC **D13/108**
(58) **Field of Classification Search**
USPC D13/103, 107-110, 118-119, 184, 199;
D14/217, 251, 253, 432, 434;
320/107-115
See application file for complete search history.

(56) **References Cited**
U.S. PATENT DOCUMENTS
D96,018 S * 6/1935 Canon D14/251
D300,678 S * 4/1989 Barrault D32/73
D521,927 S * 5/2006 Franck et al. D13/108
D524,282 S * 7/2006 Beasley et al. D14/149
D526,973 S * 8/2006 Gates et al. D13/184
D542,279 S * 5/2007 Chan D14/216
D558,207 S * 12/2007 Ikeda et al. D14/434
D558,208 S * 12/2007 Ikeda et al. D14/434
D558,209 S * 12/2007 Ikeda et al. D14/434

D585,898 S * 2/2009 Skurdal D14/434
D602,858 S * 10/2009 Ellis et al. D13/108
D620,884 S * 8/2010 Lee et al. D13/108
D640,248 S * 6/2011 Baumann et al. D14/253
D640,976 S * 7/2011 Matsuoka D13/108
D645,818 S * 9/2011 Guccione et al. D13/108
D659,093 S * 5/2012 Schmid et al. D13/108
2009/0134838 A1 * 5/2009 Raghuprasad 320/108

* cited by examiner

Primary Examiner — Rosemary K Tarcza
(74) *Attorney, Agent, or Firm* — Saliwanchik, Lloyd & Eisenschenk

(57) **CLAIM**
The ornamental design for a wireless charger, as shown and described.

DESCRIPTION

FIG. 1 is a front, right side, perspective view of a wireless charger showing my new design;
FIG. 2 is a front view thereof;
FIG. 3 is a rear view thereof;
FIG. 4 is a left side view thereof;
FIG. 5 is a right side view thereof;
FIG. 6 is a top view thereof;
FIG. 7 is a bottom view thereof;
FIG. 8 is a left side view thereof, shown in an alternate position;
FIG. 9 is a perspective view thereof, shown in an alternate position; and,
FIG. 10 is another perspective view thereof, shown in an alternate position.
The broken lines shown in the drawings are included for the purpose of illustrating environmental structure and form no part of the claimed design.

1 Claim, 5 Drawing Sheets

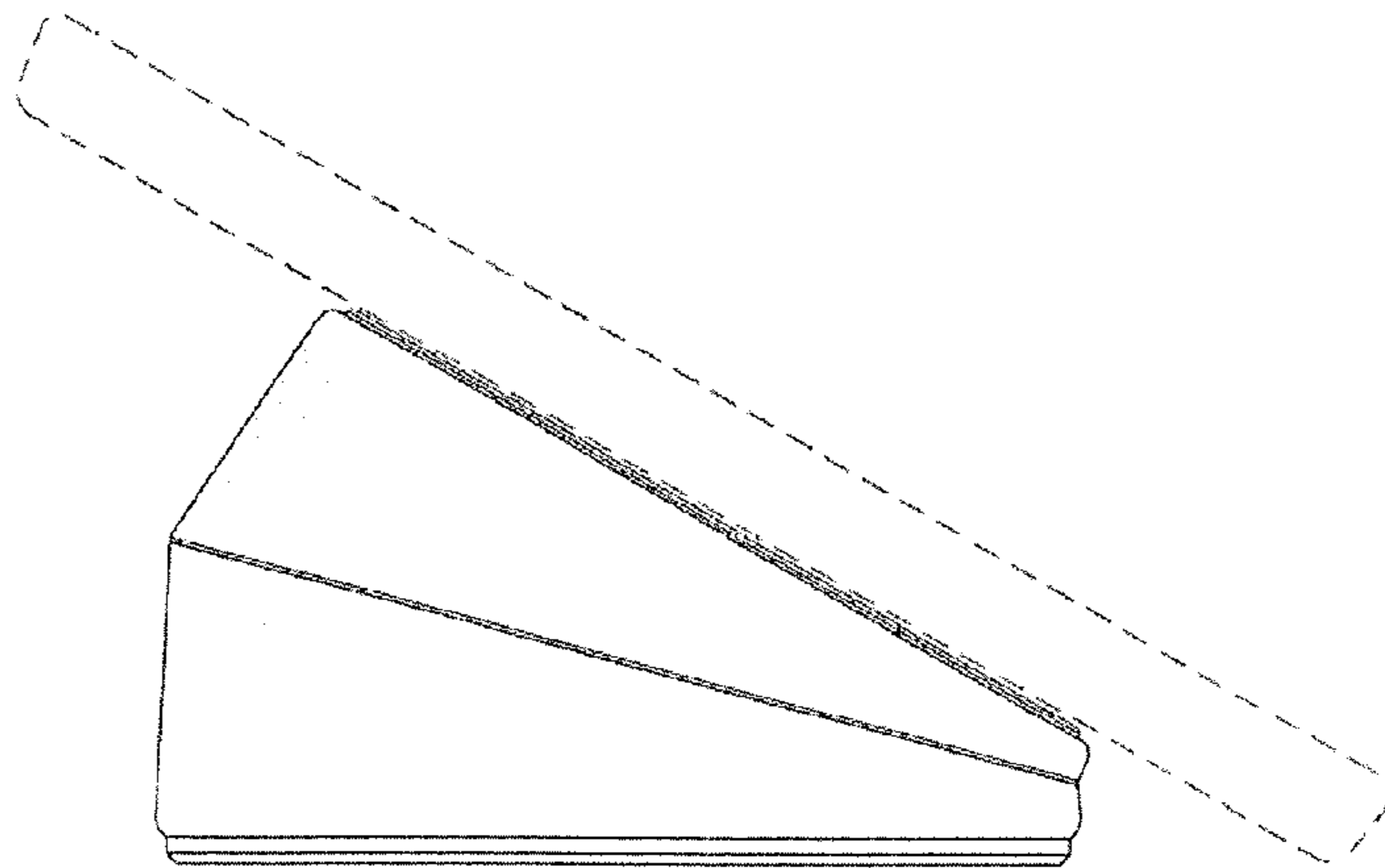
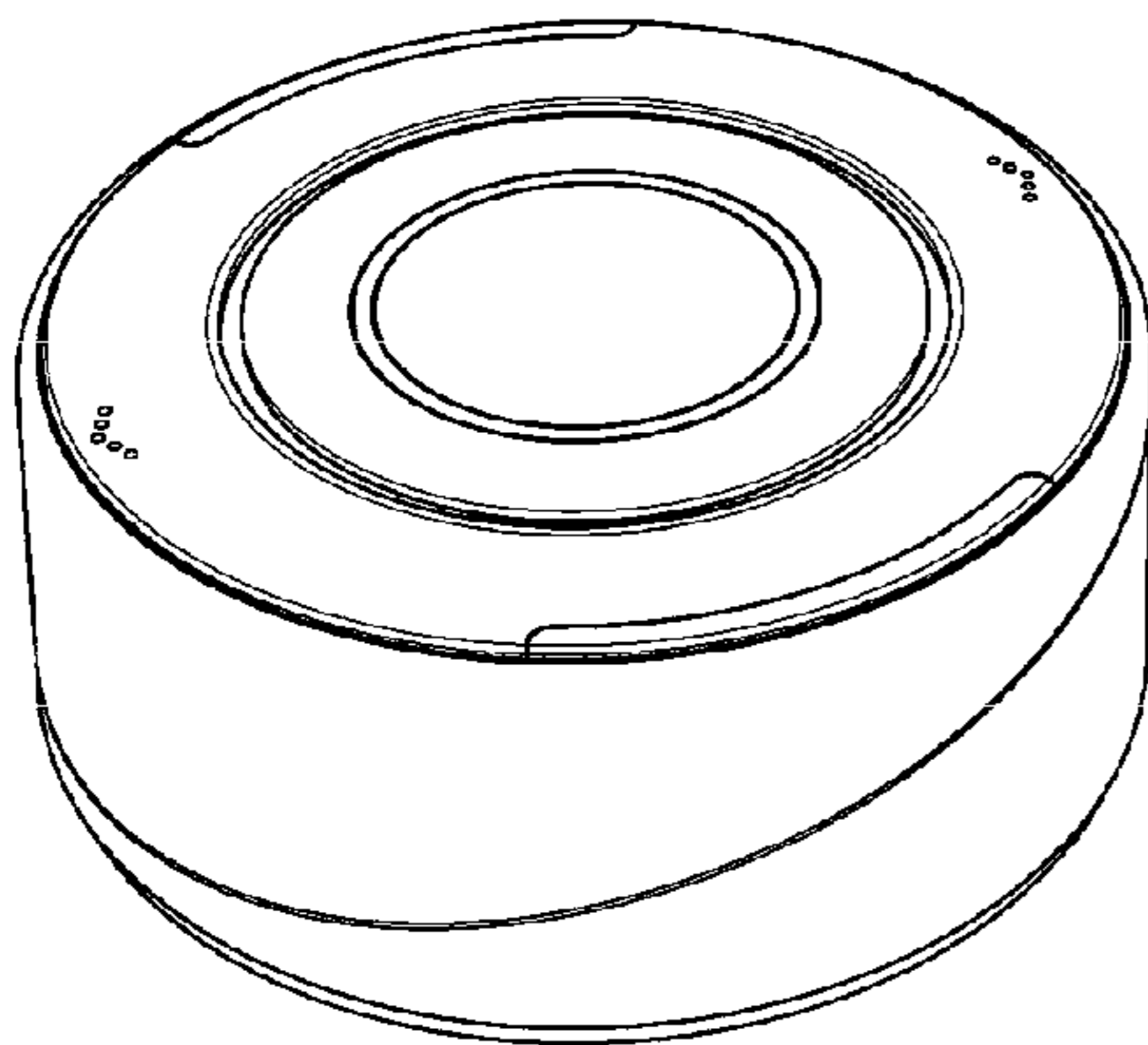


FIG. 1

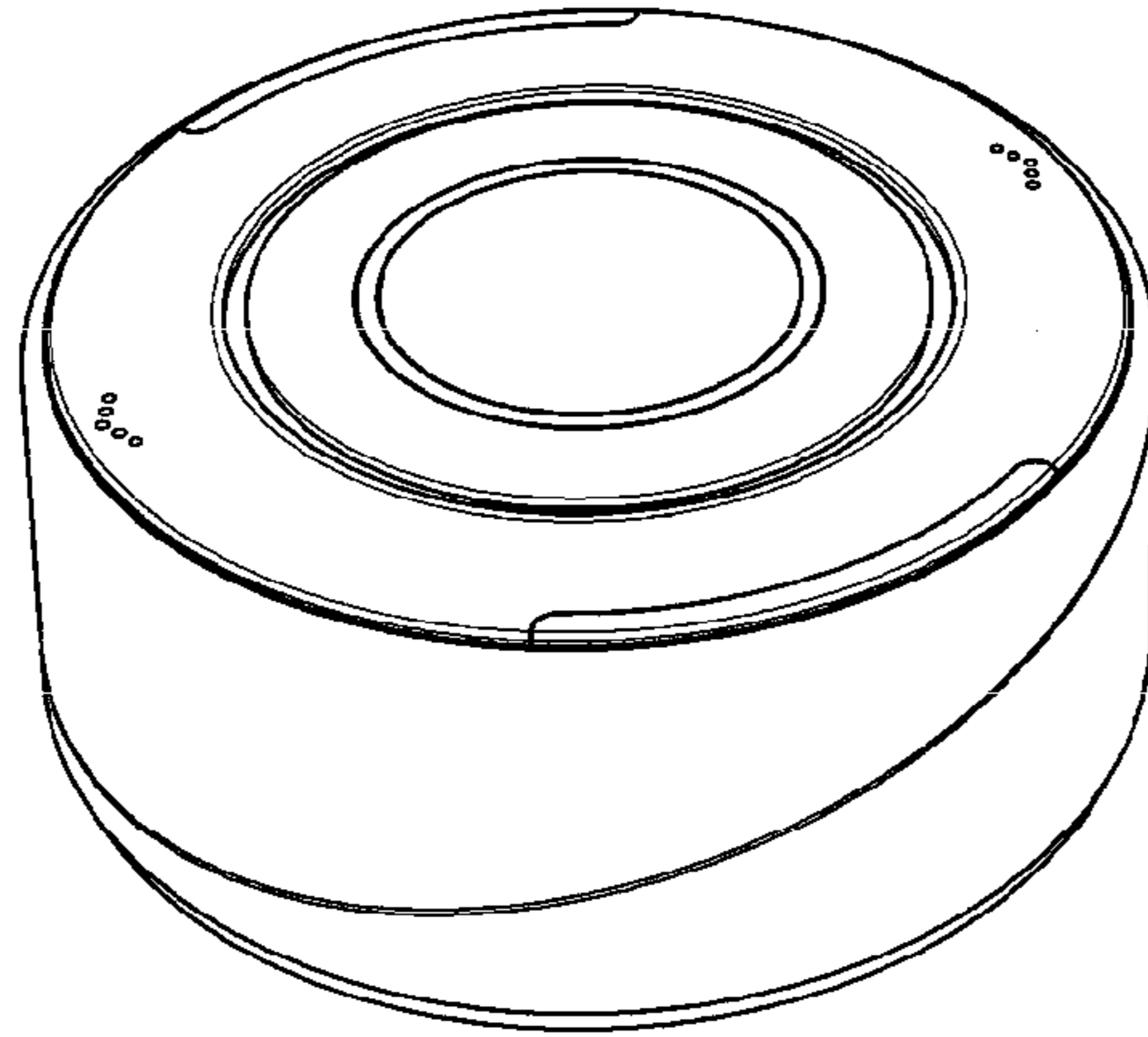


FIG. 2

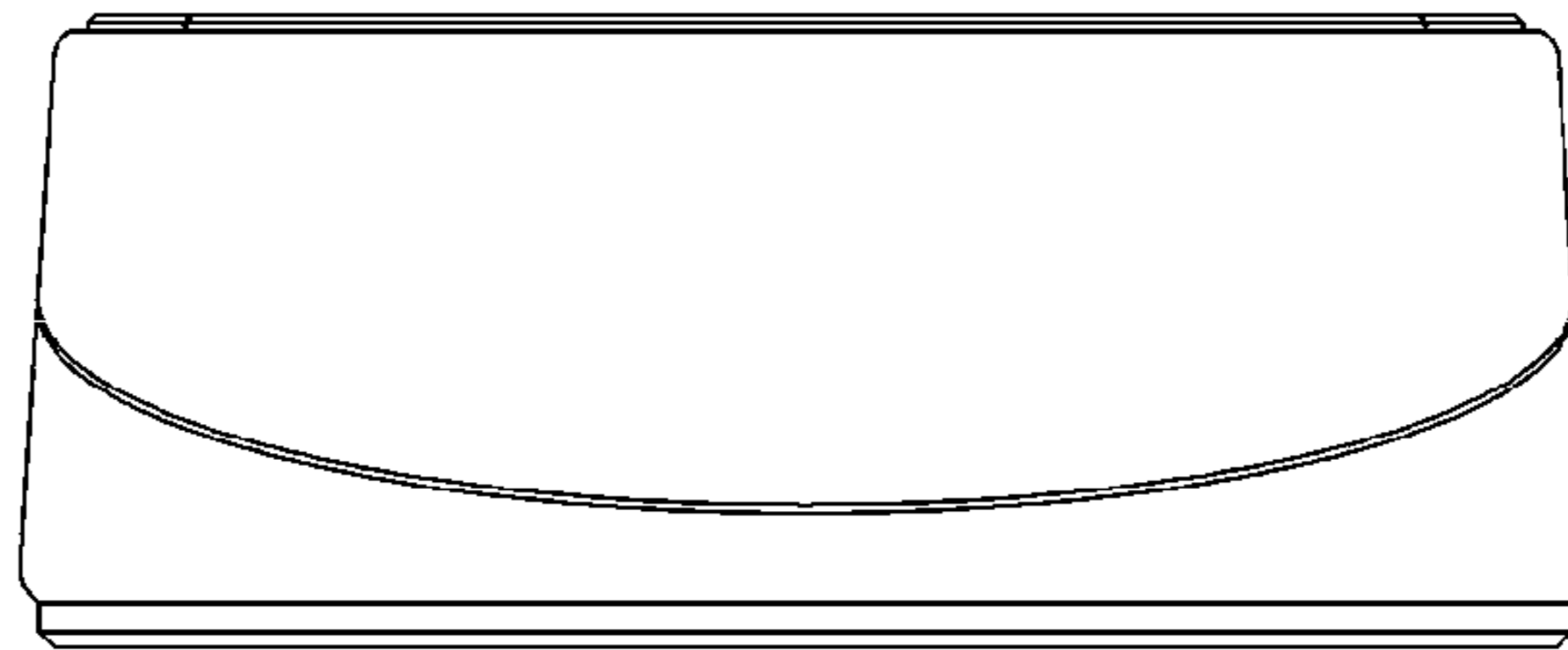


FIG. 3

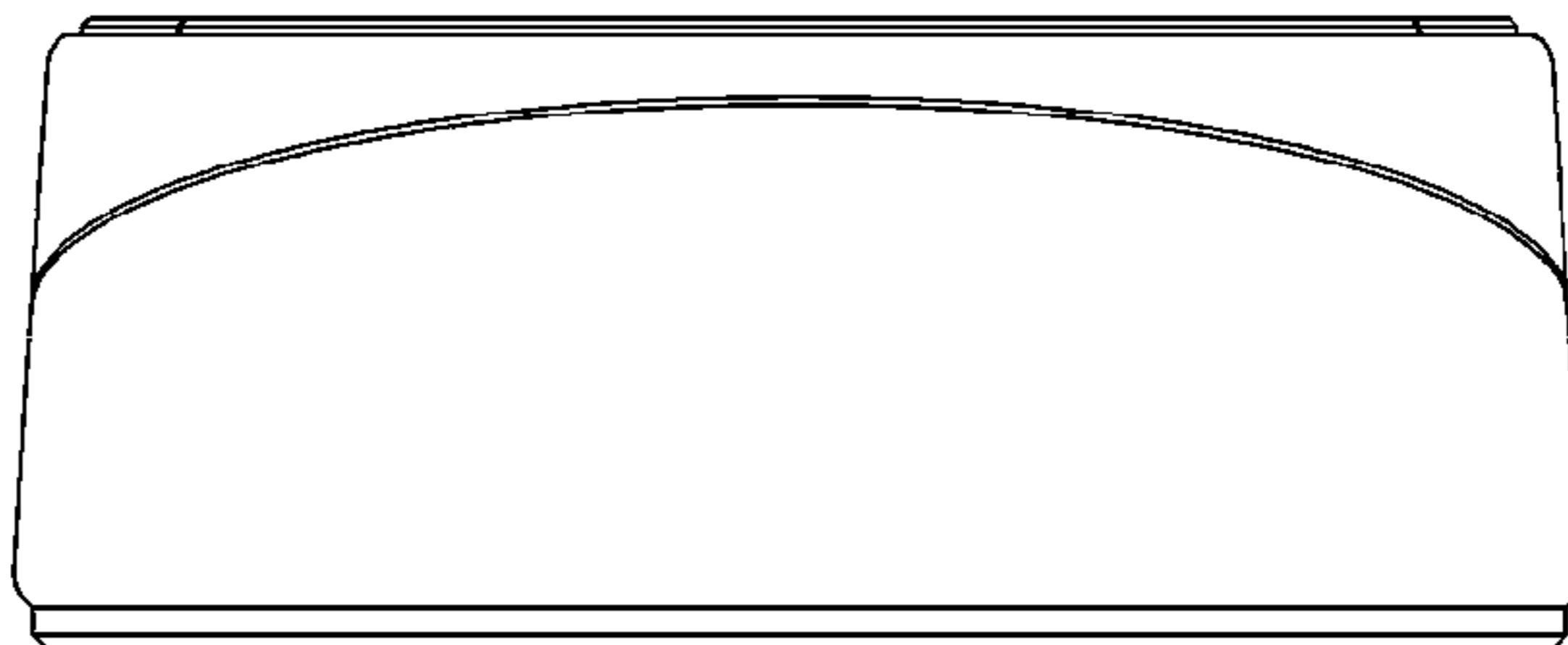


FIG. 4

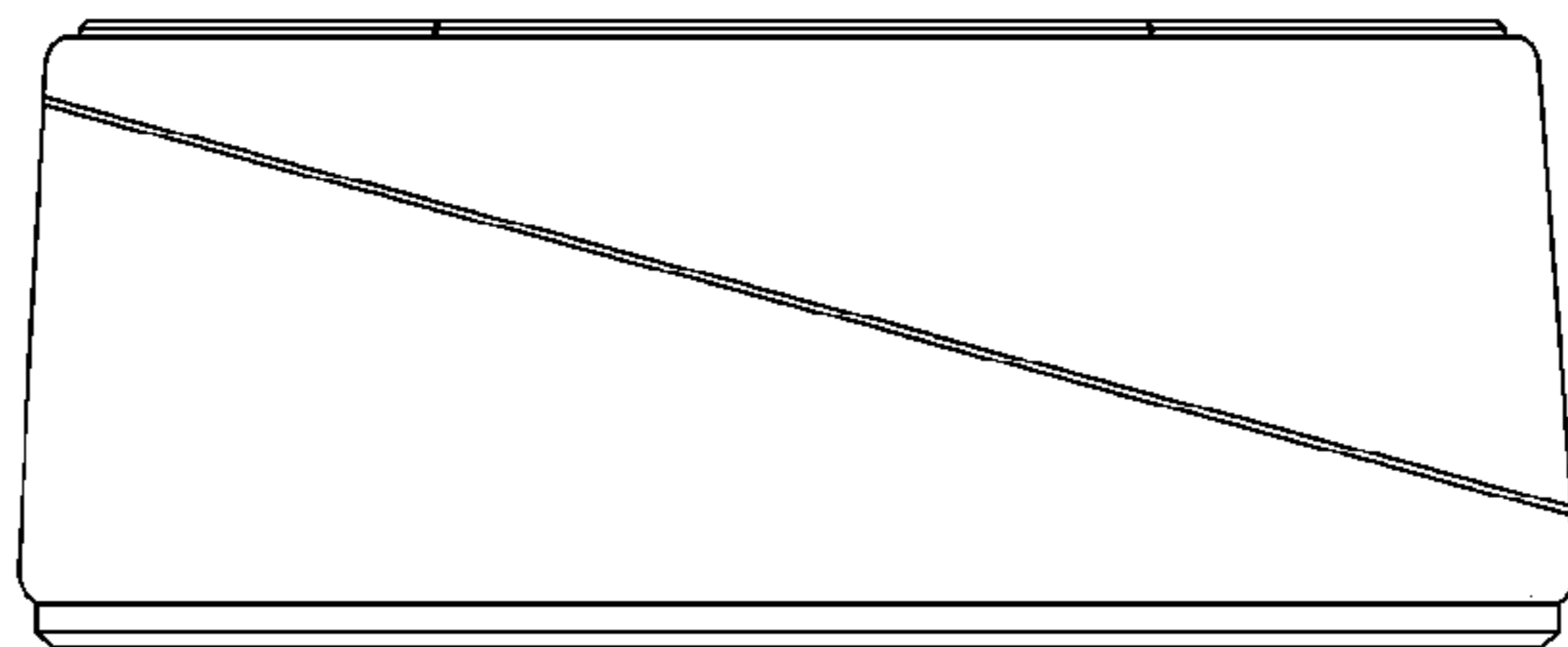


FIG. 5

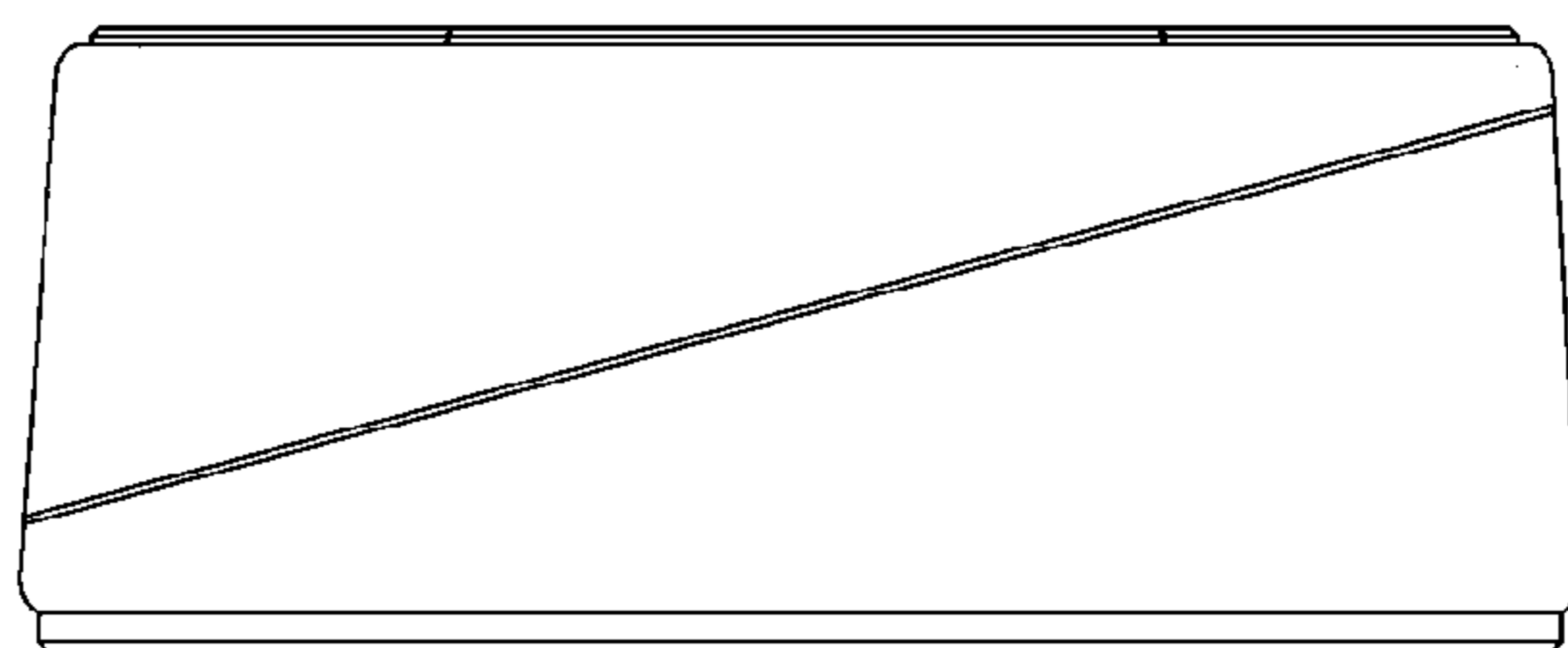


FIG. 6

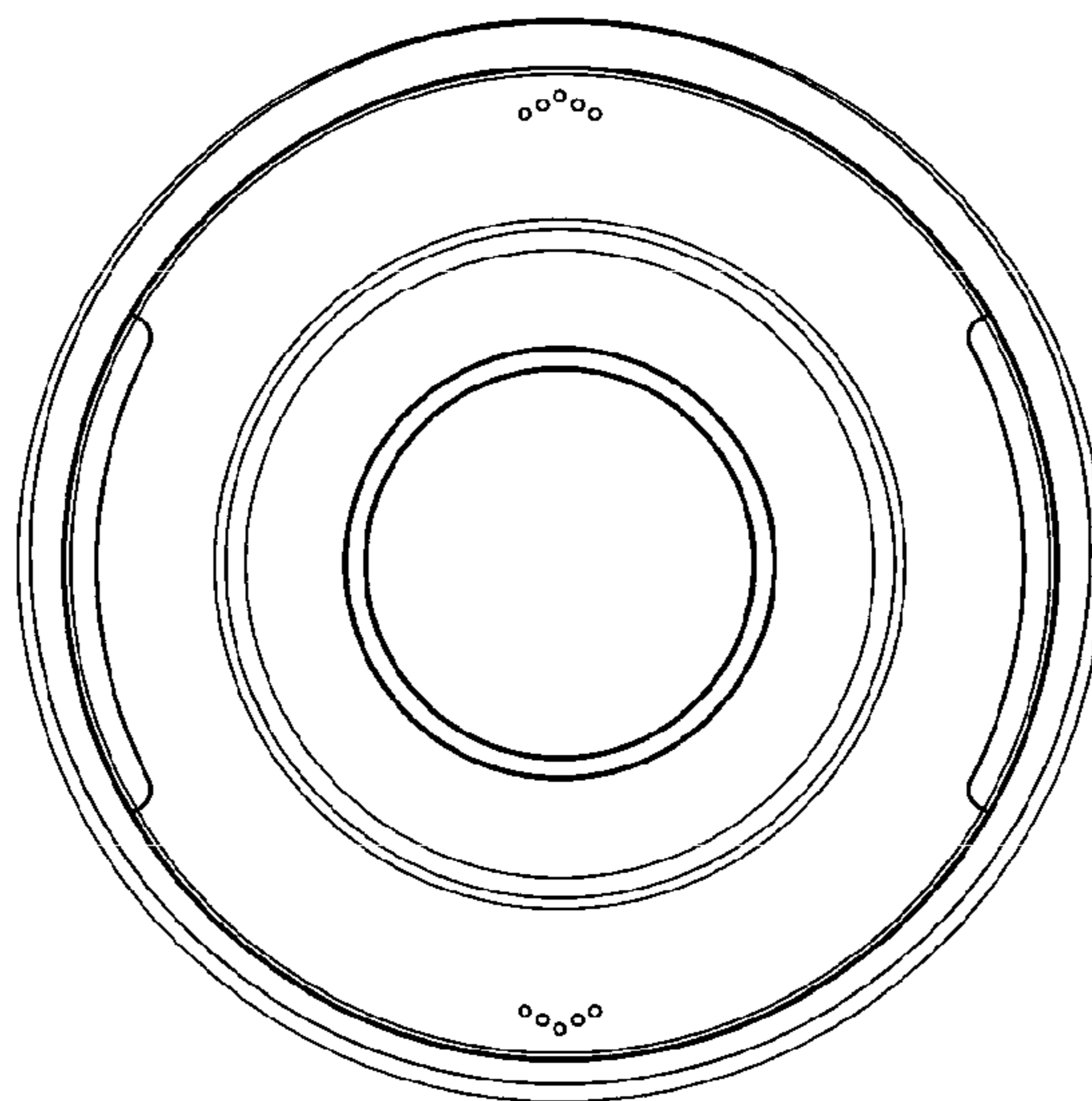


FIG. 7

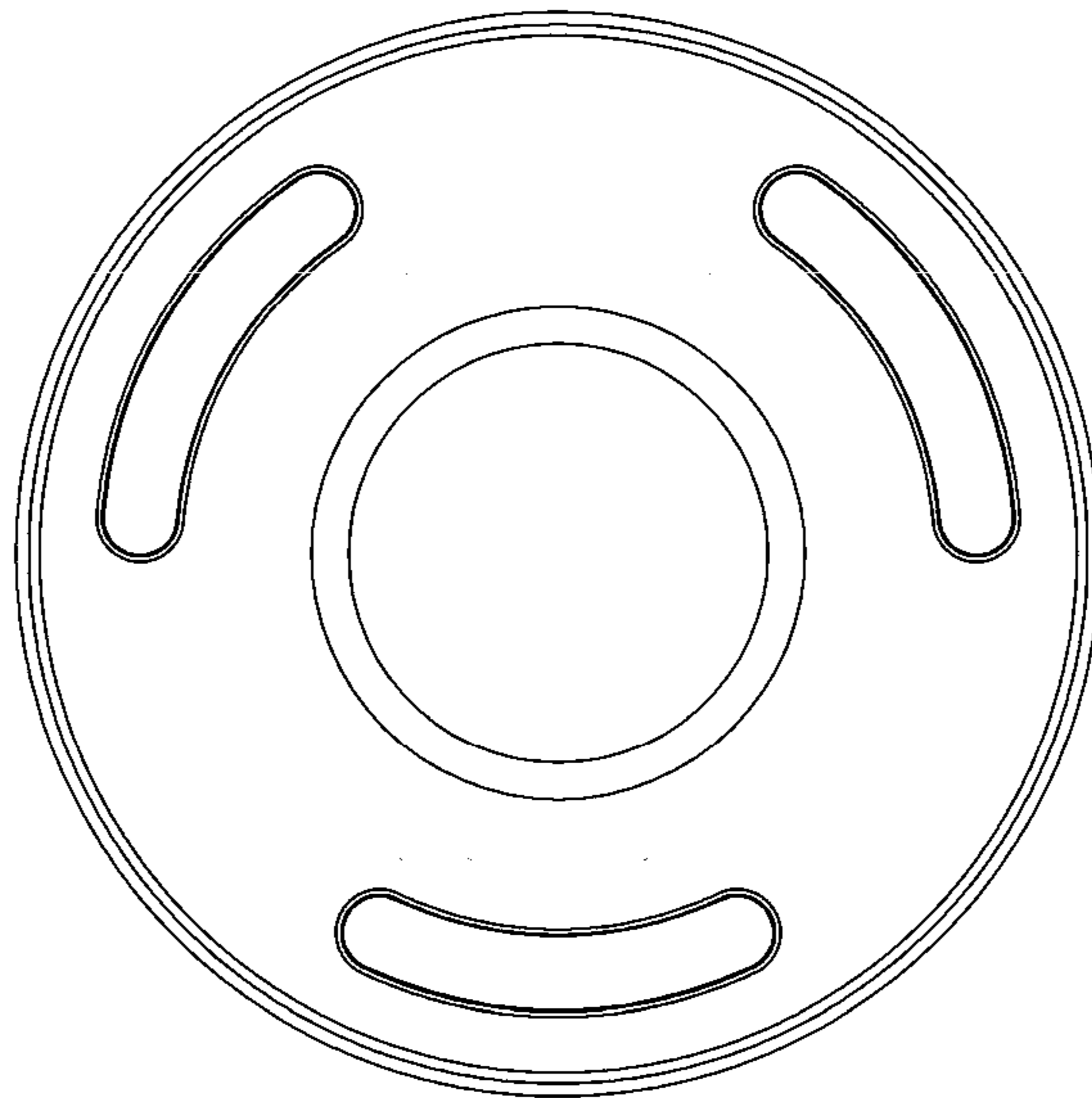


FIG. 8

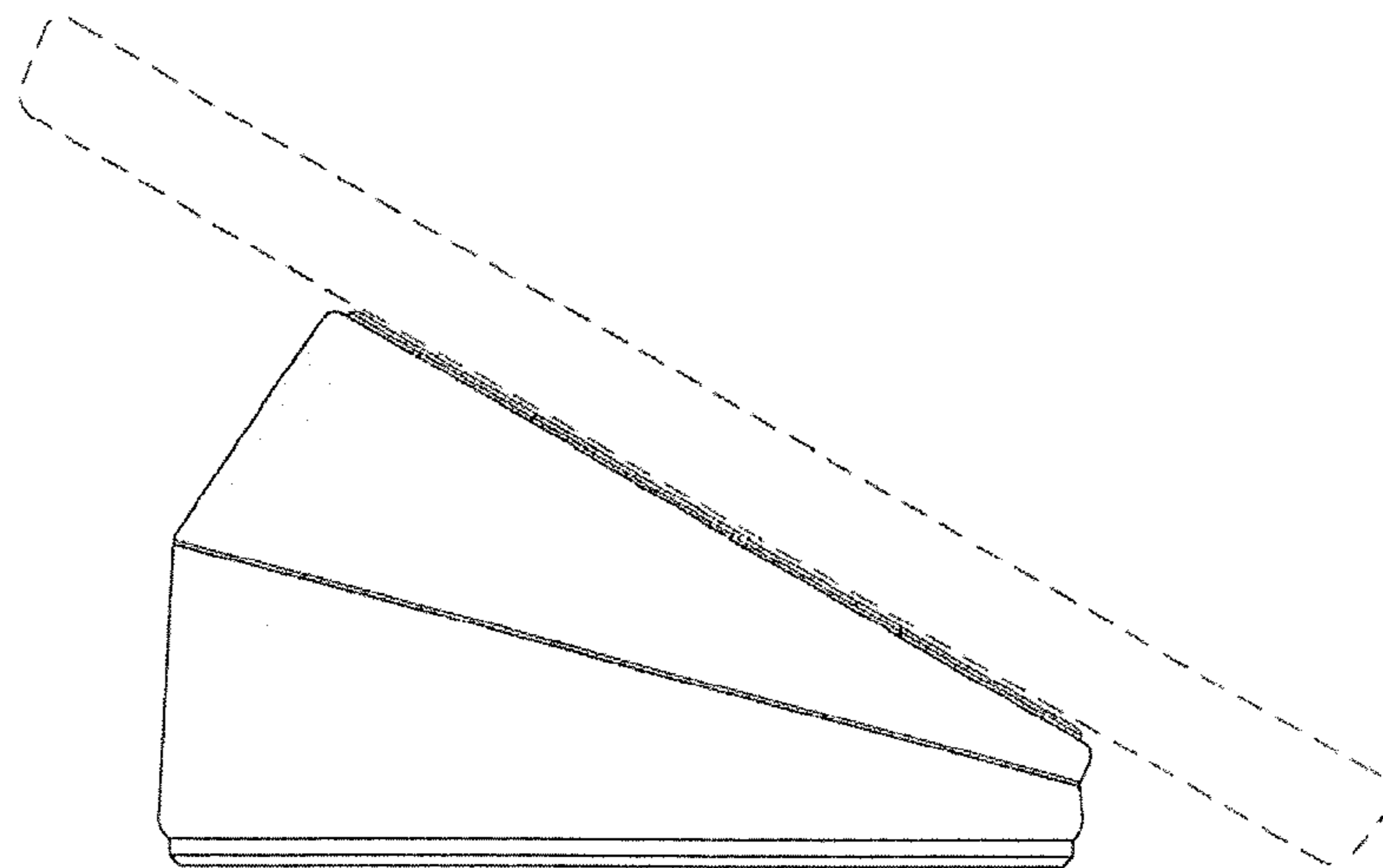


FIG. 9

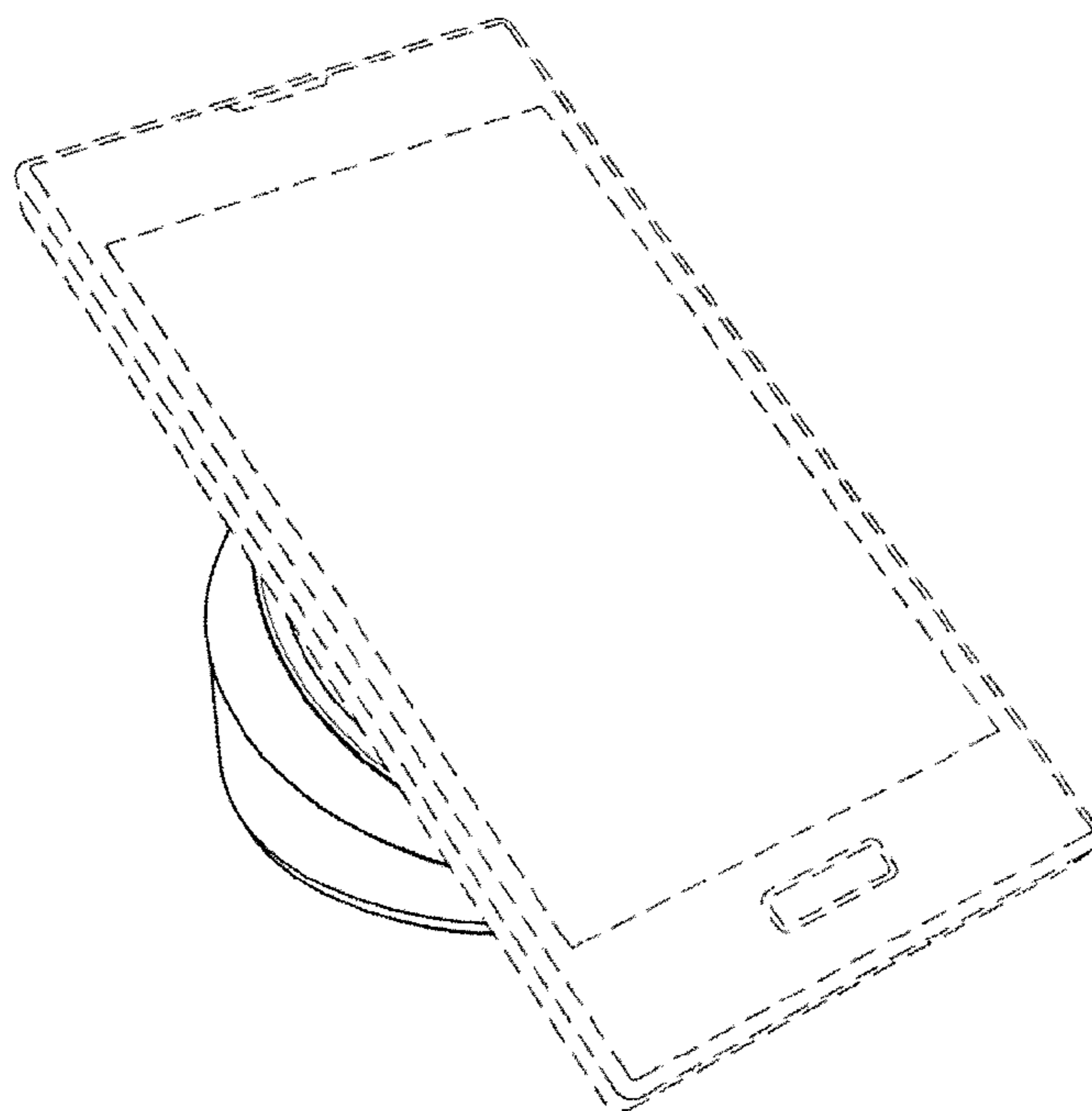


FIG. 10

