



US00D697026S

(12) **United States Design Patent**
Dasbach

(10) **Patent No.:** **US D697,026 S**
(45) **Date of Patent:** **** Jan. 7, 2014**

- (54) **CHARGER**
- (71) Applicant: **Robert Bosch GmbH**, Stuttgart (DE)
- (72) Inventor: **Gregor Dasbach**, Mondeville (FR)
- (73) Assignee: **Robert Bosch GmbH**, Stuttgart (DE)
- (**) Term: **14 Years**
- (21) Appl. No.: **29/446,445**
- (22) Filed: **Feb. 23, 2013**
- (51) **LOC (10) Cl.** **13-02**
- (52) **U.S. Cl.**
USPC **D13/108**
- (58) **Field of Classification Search**
USPC D13/107–110, 118–119, 184, 199;
D14/217, 251, 253, 432, 434;
320/107–115
See application file for complete search history.

- D624,013 S * 9/2010 Lingott D13/107
- D624,014 S * 9/2010 Lingott D13/107
- D654,854 S * 2/2012 Inskeep D13/107
- D662,879 S * 7/2012 Steinbuchel et al. D13/107
- D664,501 S * 7/2012 Inskeep D13/107

* cited by examiner

Primary Examiner — Rosemary K Tarcza

(74) *Attorney, Agent, or Firm* — Maginot, Moore & Beck

(57) **CLAIM**

The ornamental design for a charger, as shown and described.

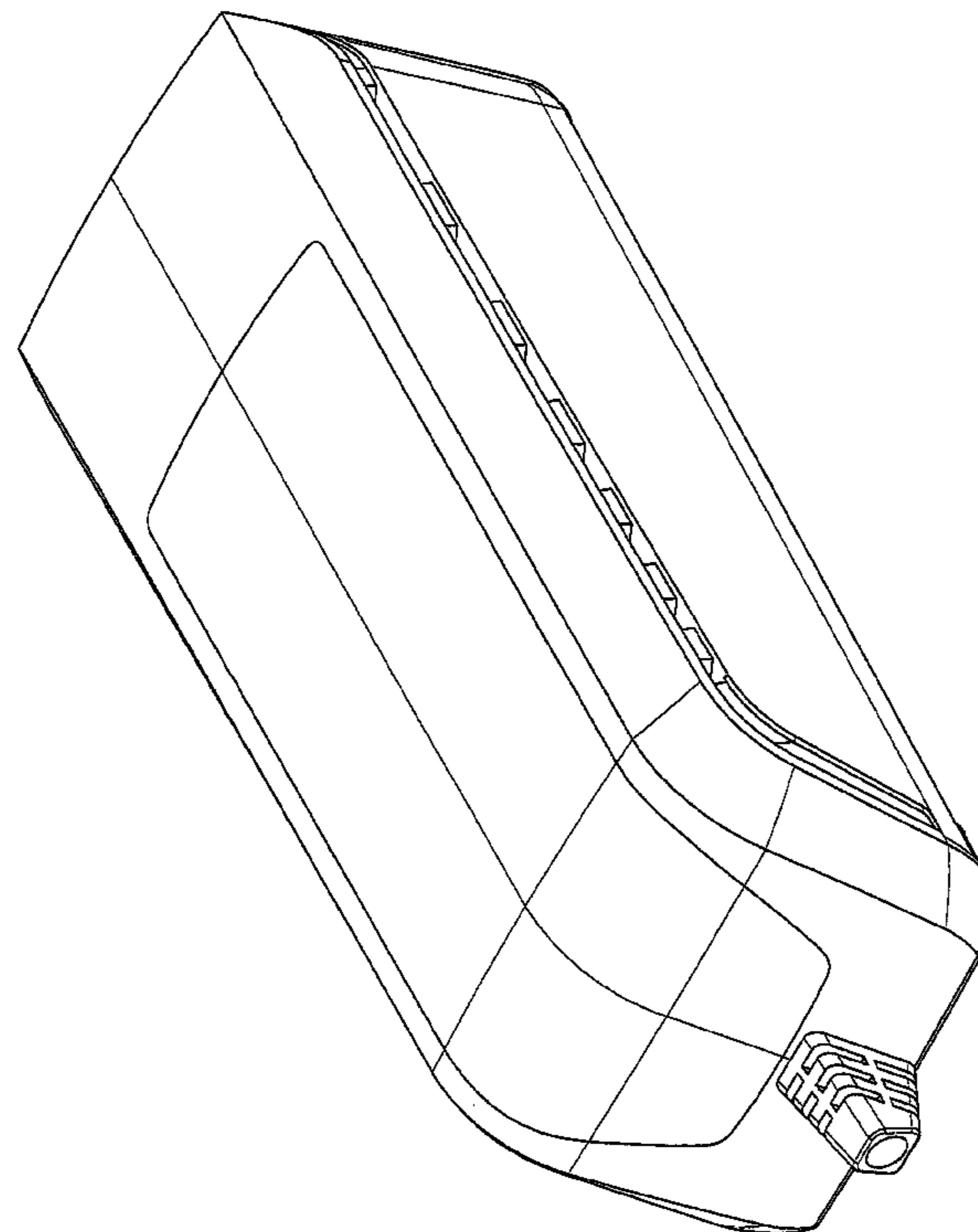
DESCRIPTION

FIG. 1 is a perspective view of a charger showing my new design;
 FIG. 2 is a right side elevational view showing the design for the charger of FIG. 1;
 FIG. 3 is a left side elevational view showing the design for the charger of FIG. 1;
 FIG. 4 is a front elevational view showing the design for the charger of FIG. 1;
 FIG. 5 is a rear elevational view showing the design for the charger of FIG. 1;
 FIG. 6 is a top elevational view showing the design for the charger of FIG. 1; and,
 FIG. 7 is a bottom elevational view showing the design for the charger of FIG. 1.

1 Claim, 7 Drawing Sheets

(56) **References Cited**
 U.S. PATENT DOCUMENTS

- 5,019,767 A * 5/1991 Shirai et al. 320/112
- D383,115 S * 9/1997 Nagele et al. D13/110
- D465,764 S * 11/2002 Salazar et al. D13/107
- D511,743 S * 11/2005 Hriscu et al. D13/107
- D537,410 S * 2/2007 Yuen D13/110
- D575,225 S * 8/2008 Ahlgren D13/107
- D581,356 S * 11/2008 Ahlgren D13/107
- D617,267 S * 6/2010 Li D13/107



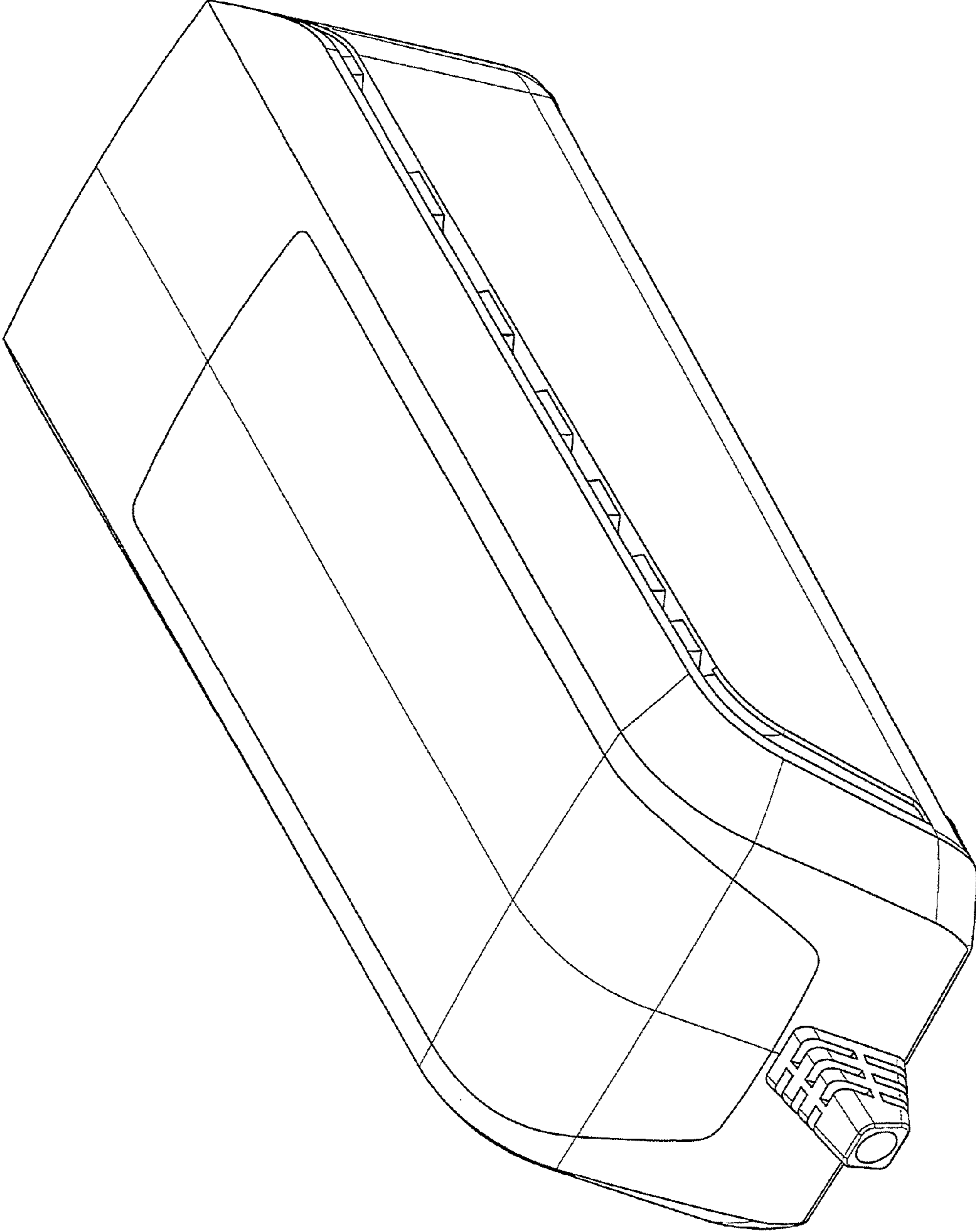


FIG. 1

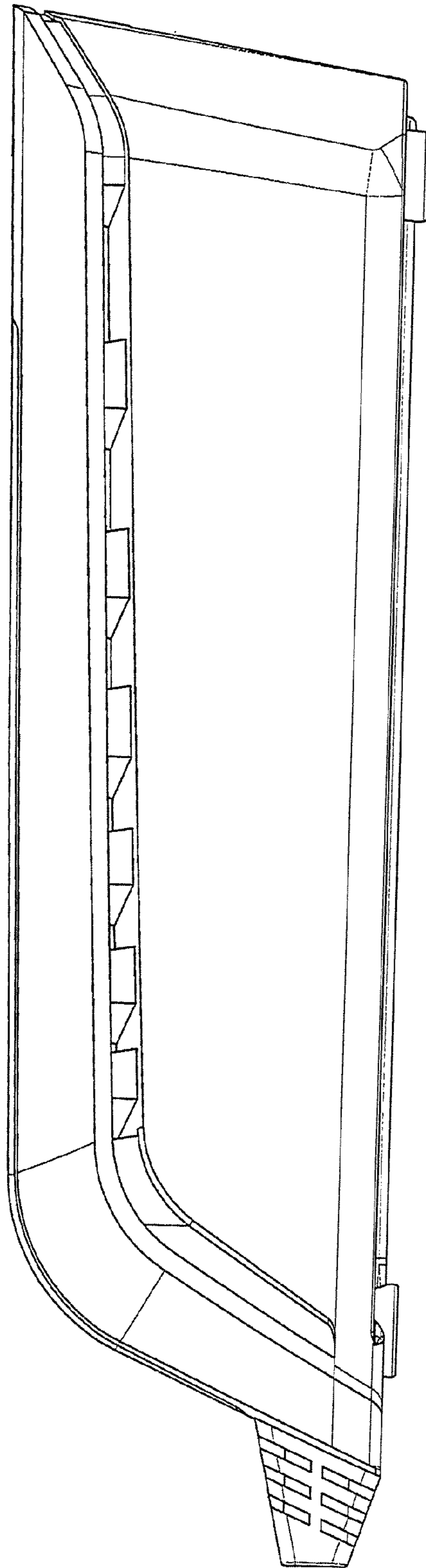


FIG. 2

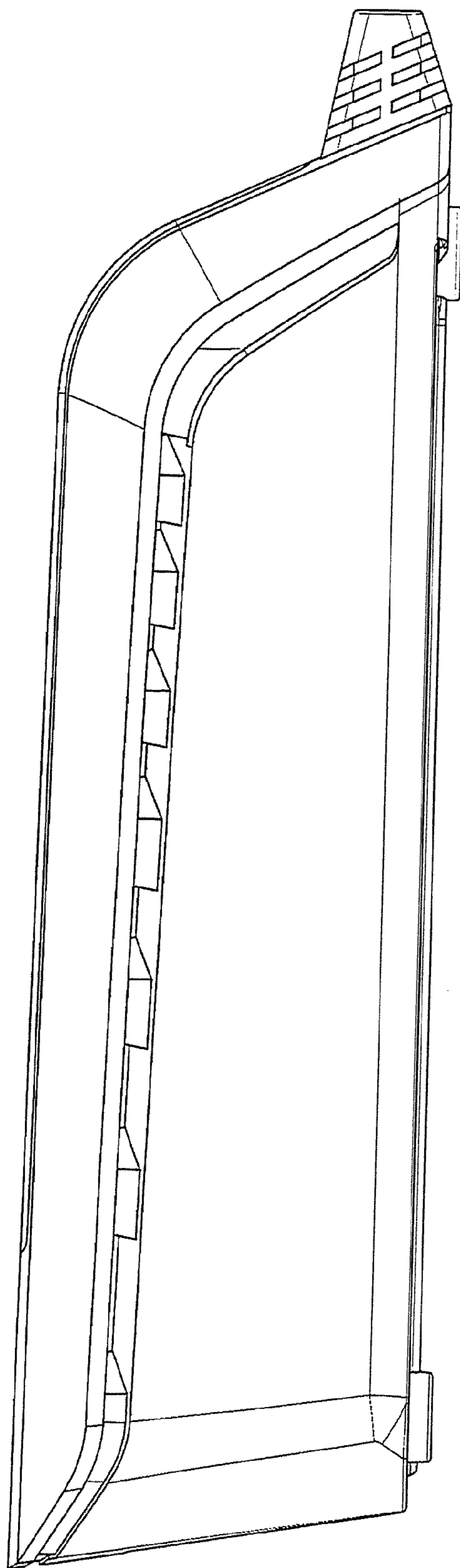


FIG. 3

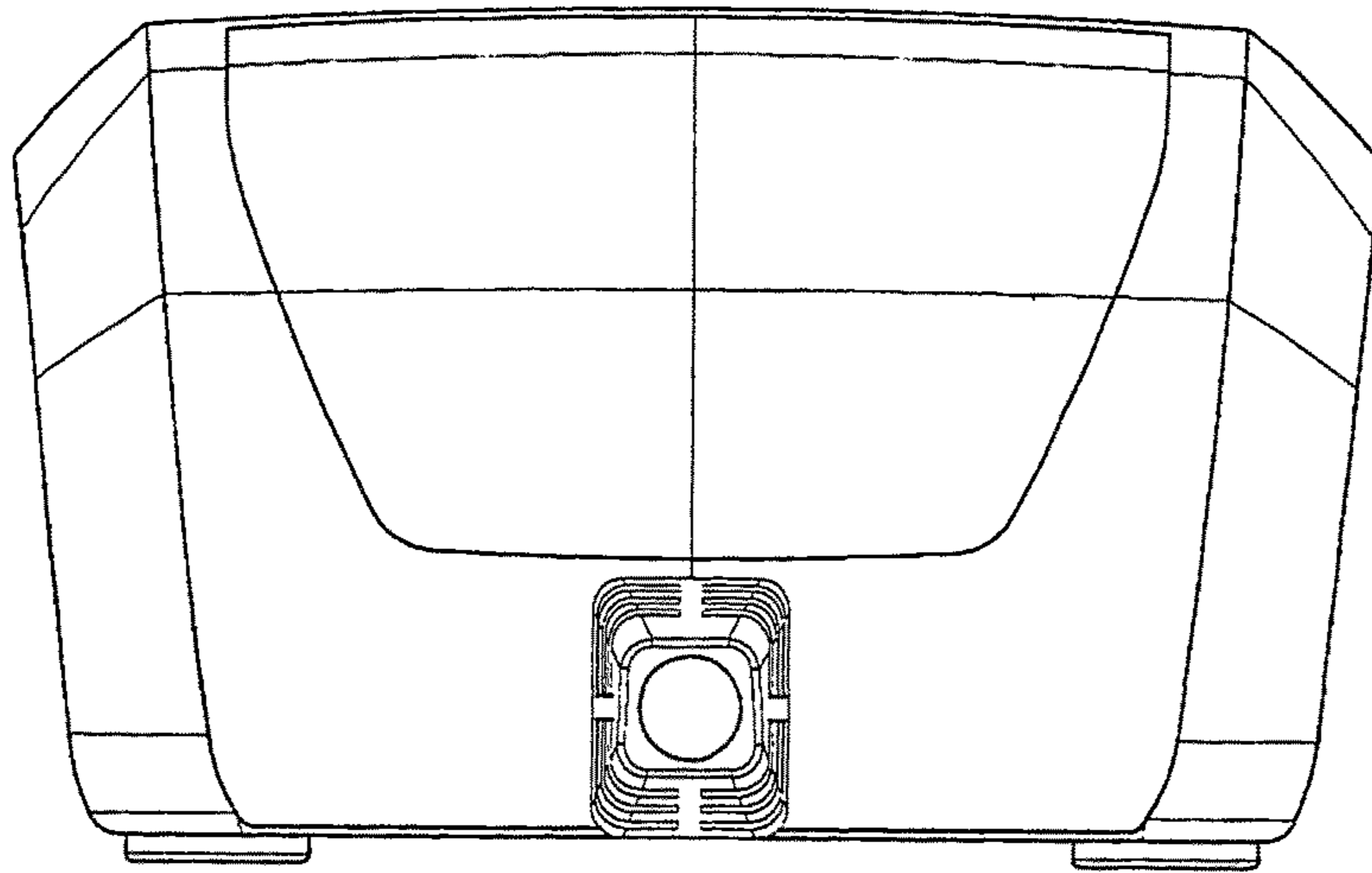


FIG. 4

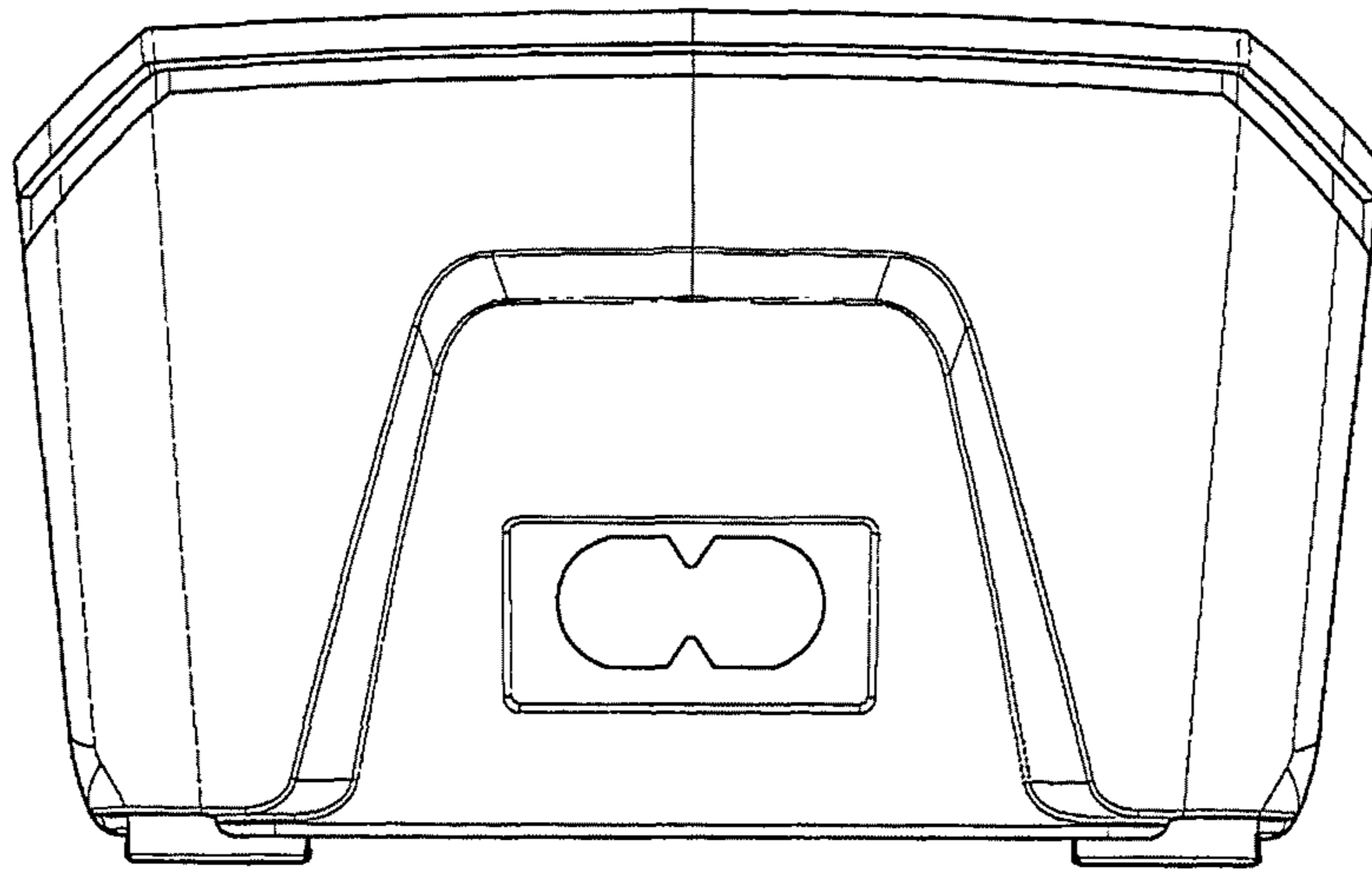


FIG. 5

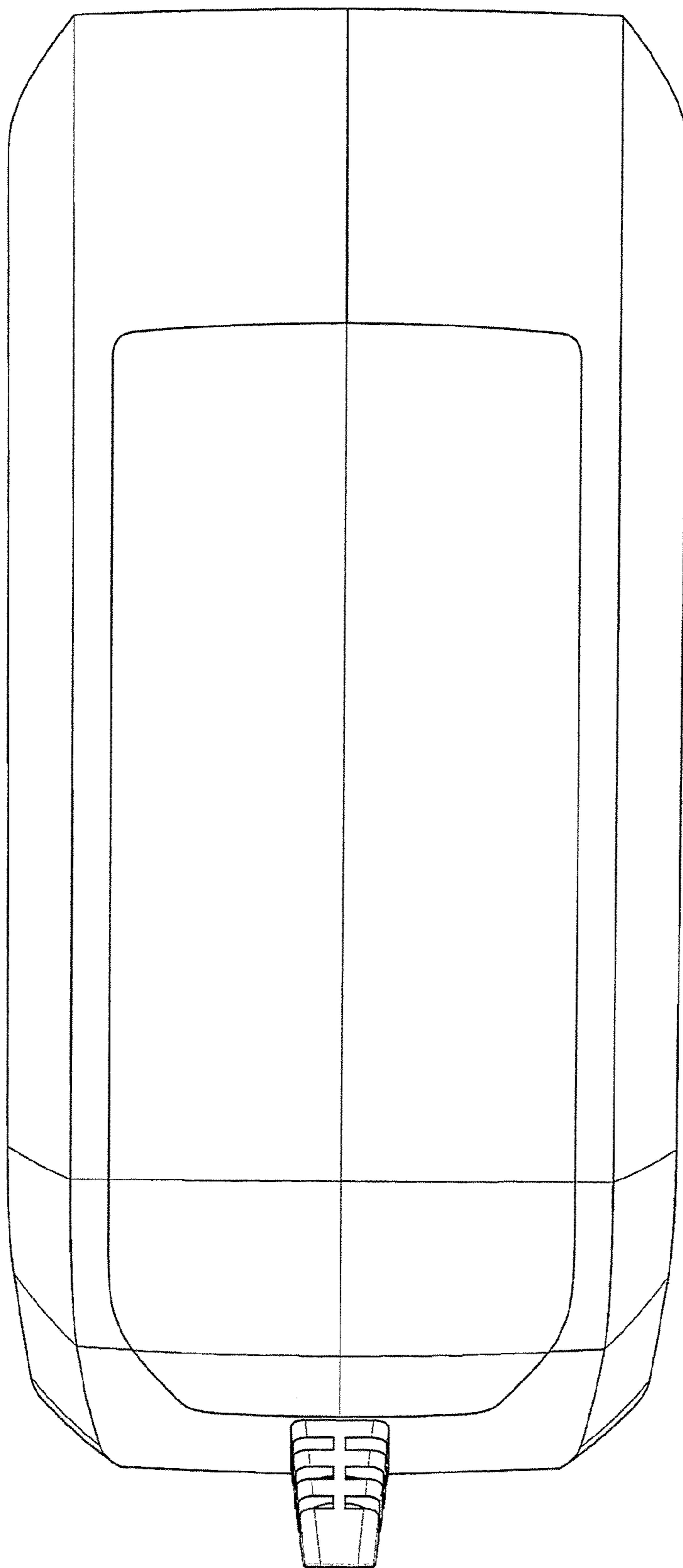


FIG. 6

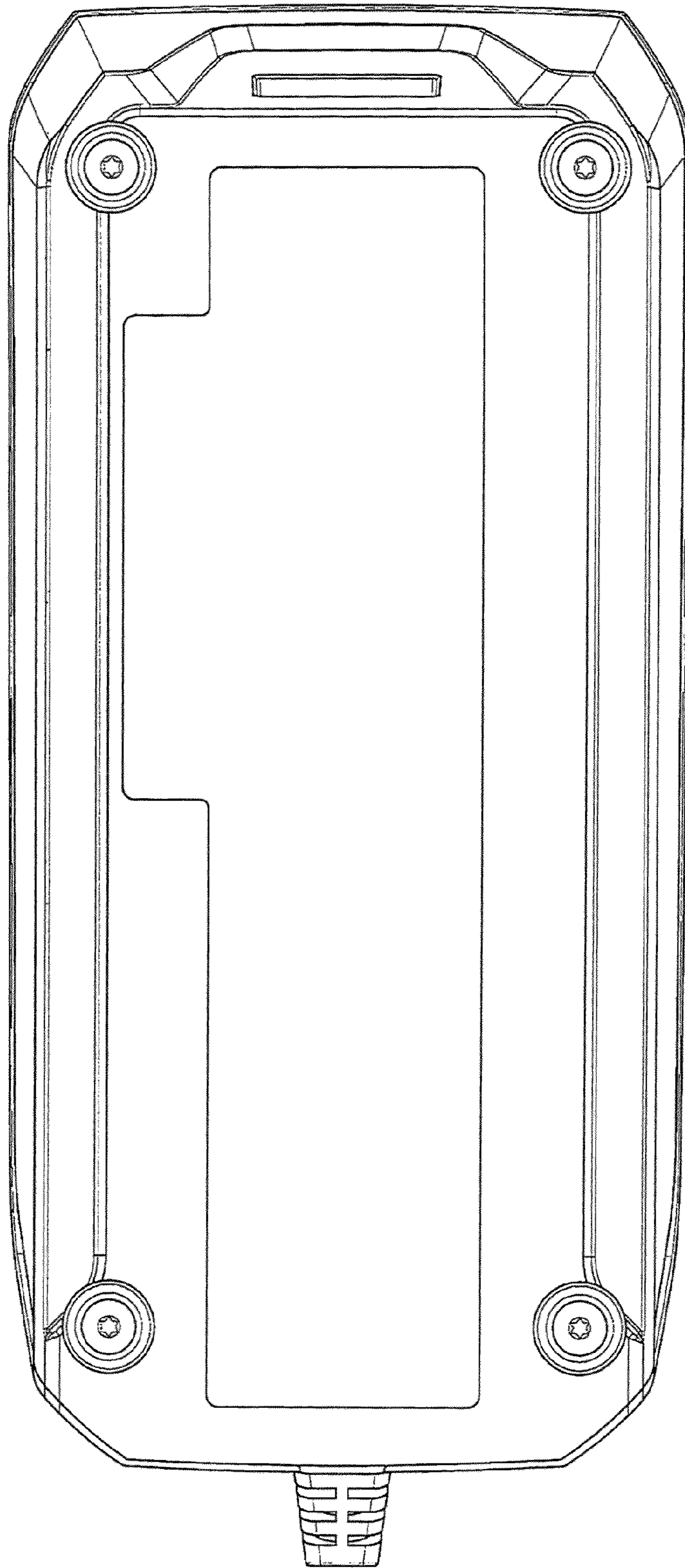


FIG. 7

UNITED STATES PATENT AND TRADEMARK OFFICE
CERTIFICATE OF CORRECTION

PATENT NO. : D697,026 S
APPLICATION NO. : 29/446445
DATED : January 7, 2014
INVENTOR(S) : Gregor Dasbach

Page 1 of 1

It is certified that error appears in the above-identified patent and that said Letters Patent is hereby corrected as shown below:

On the Title Page:

Insert,

Item -- (30) Foreign Application Priority Data

August 23, 2012 (EM) 002091249 --

Signed and Sealed this
First Day of July, 2014



Michelle K. Lee
Deputy Director of the United States Patent and Trademark Office