



US00D697024S

(12) **United States Design Patent**
Lathrop et al.

(10) **Patent No.:** **US D697,024 S**
(45) **Date of Patent:** **** Jan. 7, 2014**

(54) **BATTERY FOR A BACKPACK VACUUM APPLIANCE**

(71) Applicant: **Emerson Electric Co.**, St. Louis, MO (US)

(72) Inventors: **David Lathrop**, St. Louis, MO (US); **Douglas K. Ritterling**, Chesterfield, MO (US); **Shane Glasgow**, Saint Ann, MO (US)

(73) Assignee: **Emersn Electric Co.**, St. Louis, MO (US)

(**) Term: **14 Years**

(21) Appl. No.: **29/455,737**

(22) Filed: **May 23, 2013**

(51) **LOC (10) Cl.** **13-02**

(52) **U.S. Cl.**
USPC **D13/103**

(58) **Field of Classification Search**
USPC D13/102-104, 110, 118-121, 184, 199;
429/96-100, 163, 176
See application file for complete search history.

(56) **References Cited**

U.S. PATENT DOCUMENTS

D387,329 S * 12/1997 Jung et al. D13/119
D504,110 S * 4/2005 Berentzen et al. D13/103
D516,020 S * 2/2006 Wong et al. D13/103

D554,579 S * 11/2007 Ogasawara D13/103
D554,580 S * 11/2007 Ogasawara D13/103
D562,227 S * 2/2008 Yamada et al. D13/103
D568,239 S * 5/2008 Okada et al. D13/103
D571,288 S * 6/2008 Tanaka D13/103
D604,695 S * 11/2009 Aglassinger D13/103
D682,194 S * 5/2013 Jiang et al. D13/103

* cited by examiner

Primary Examiner — Rosemary K Tarca

(74) *Attorney, Agent, or Firm* — Sutton McAughan Deaver, PLLC

(57) **CLAIM**

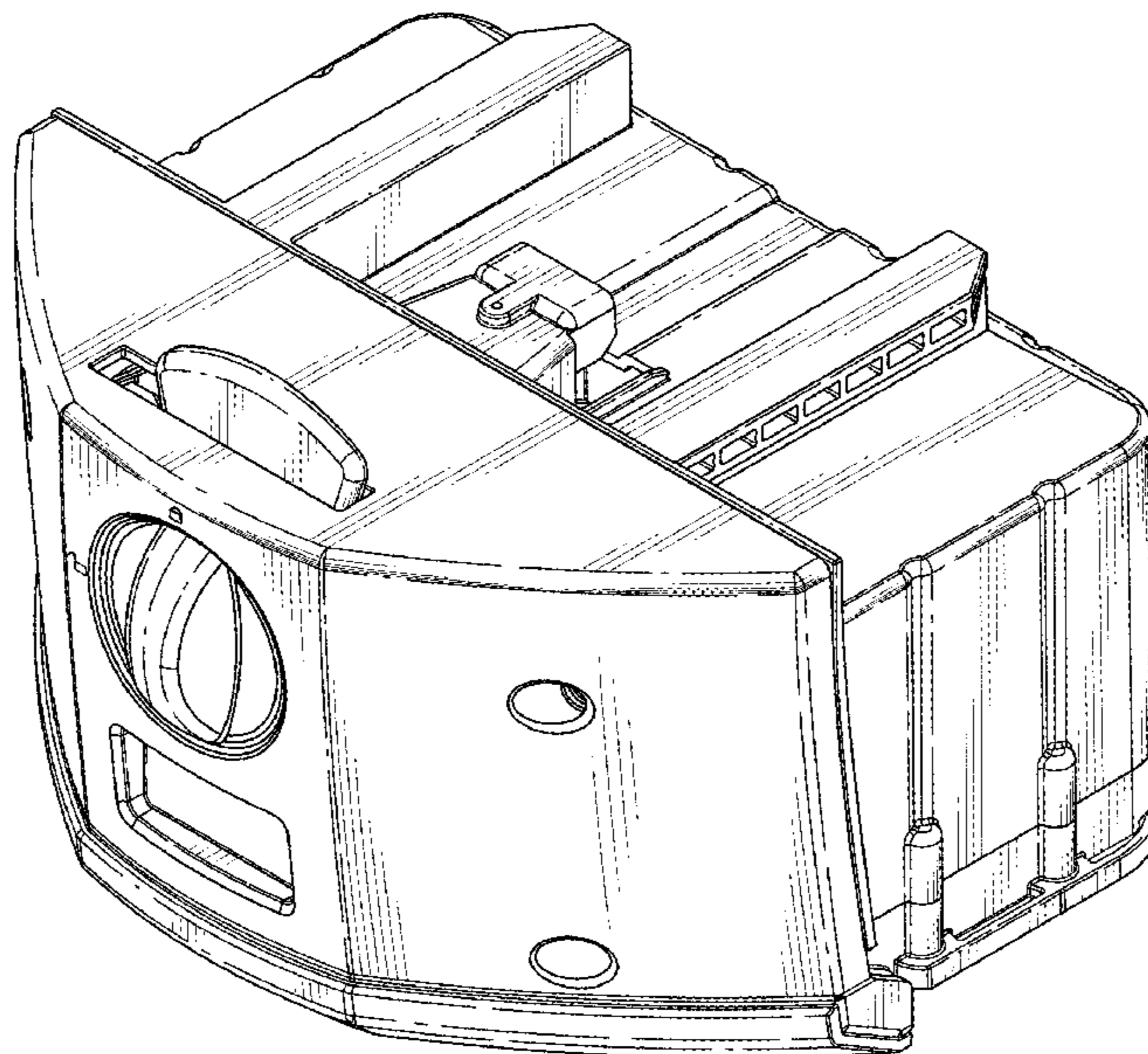
The ornamental design for a battery for a backpack vacuum appliance, as shown and described.

DESCRIPTION

FIG. 1 is an isometric front perspective view of the front and upper surface of the battery for a backpack vacuum appliance; FIG. 2 is a front view thereof; FIG. 3 is a back view thereof; FIG. 4 is a side view thereof; FIG. 5 is a side view, showing the side opposite that shown in FIG. 4; FIG. 6 is a bottom view thereof; and, FIG. 7 is a top view thereof.

The broken lines in the Figures are for the purpose of illustrating exemplary environmental structure and form no part of the claimed design.

1 Claim, 6 Drawing Sheets



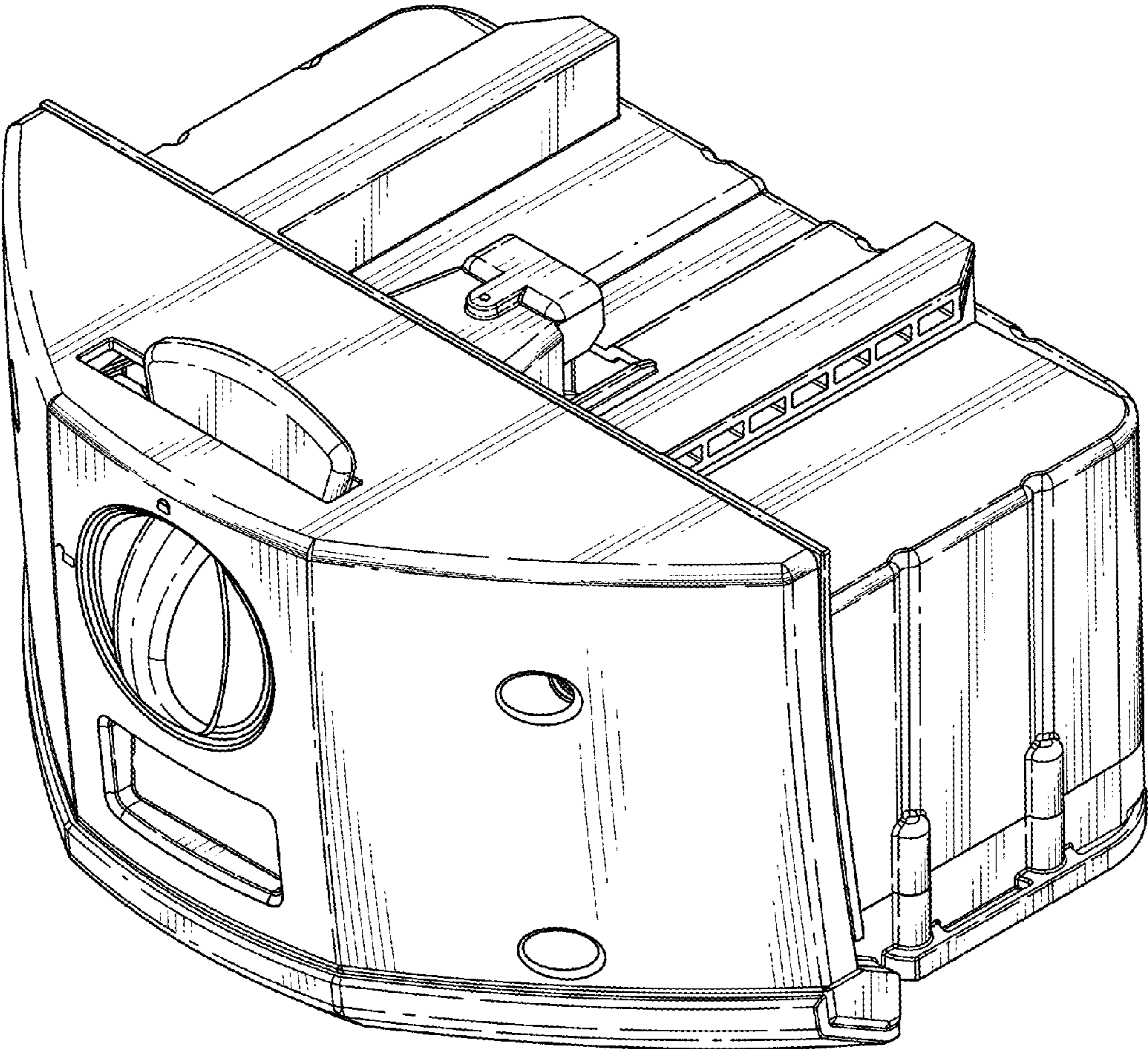


FIG. 1

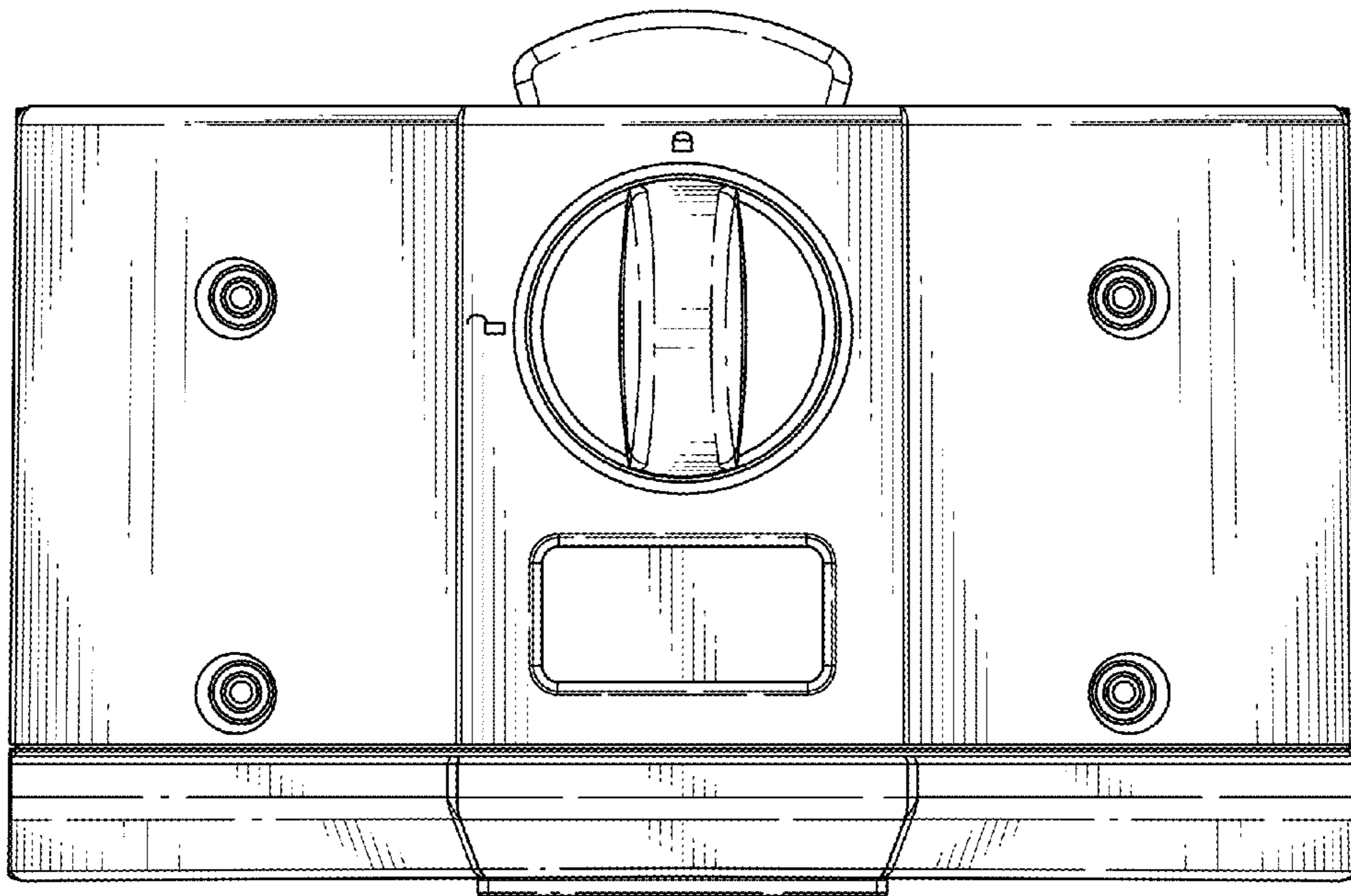


FIG. 2

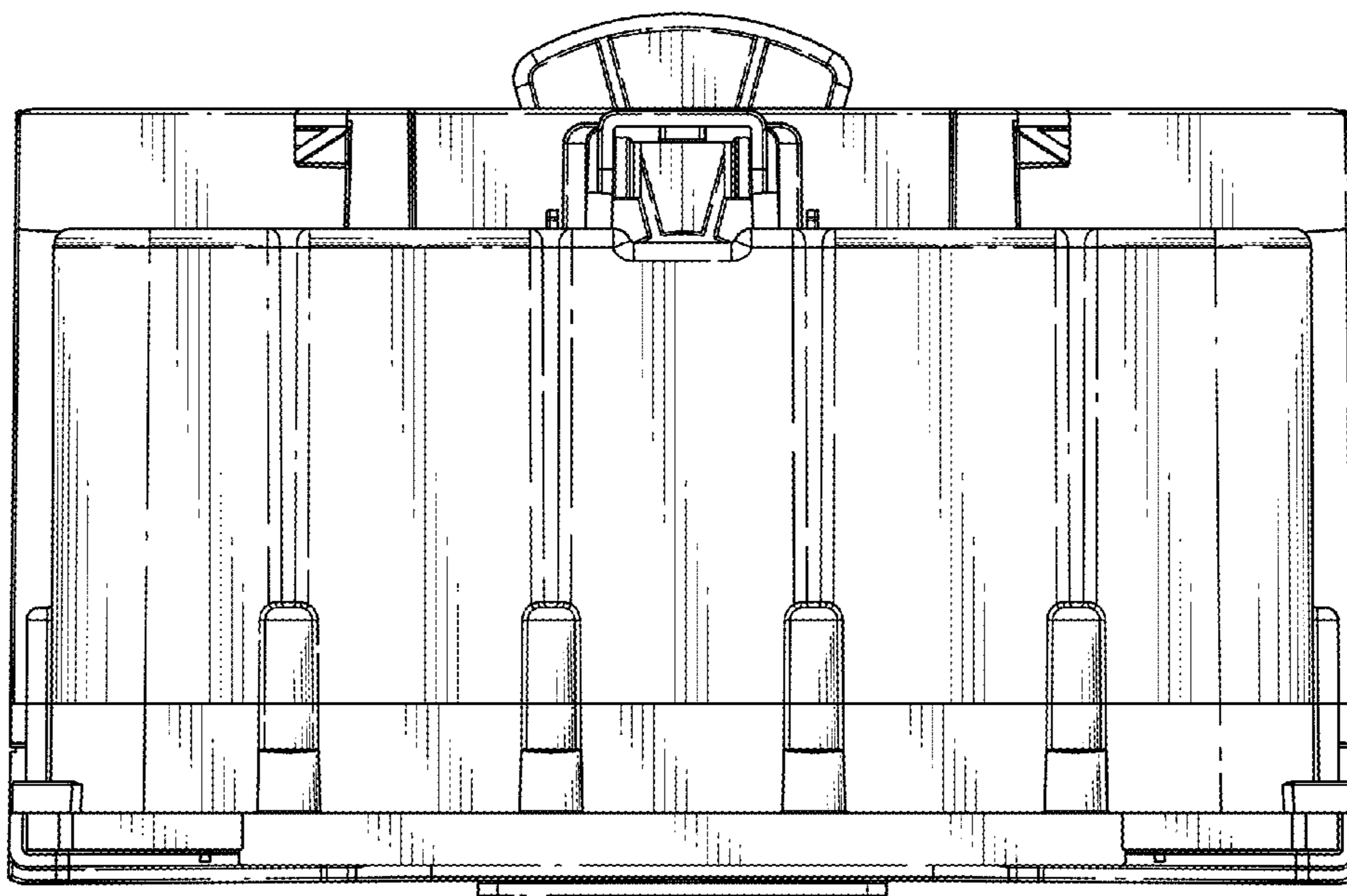


FIG. 3

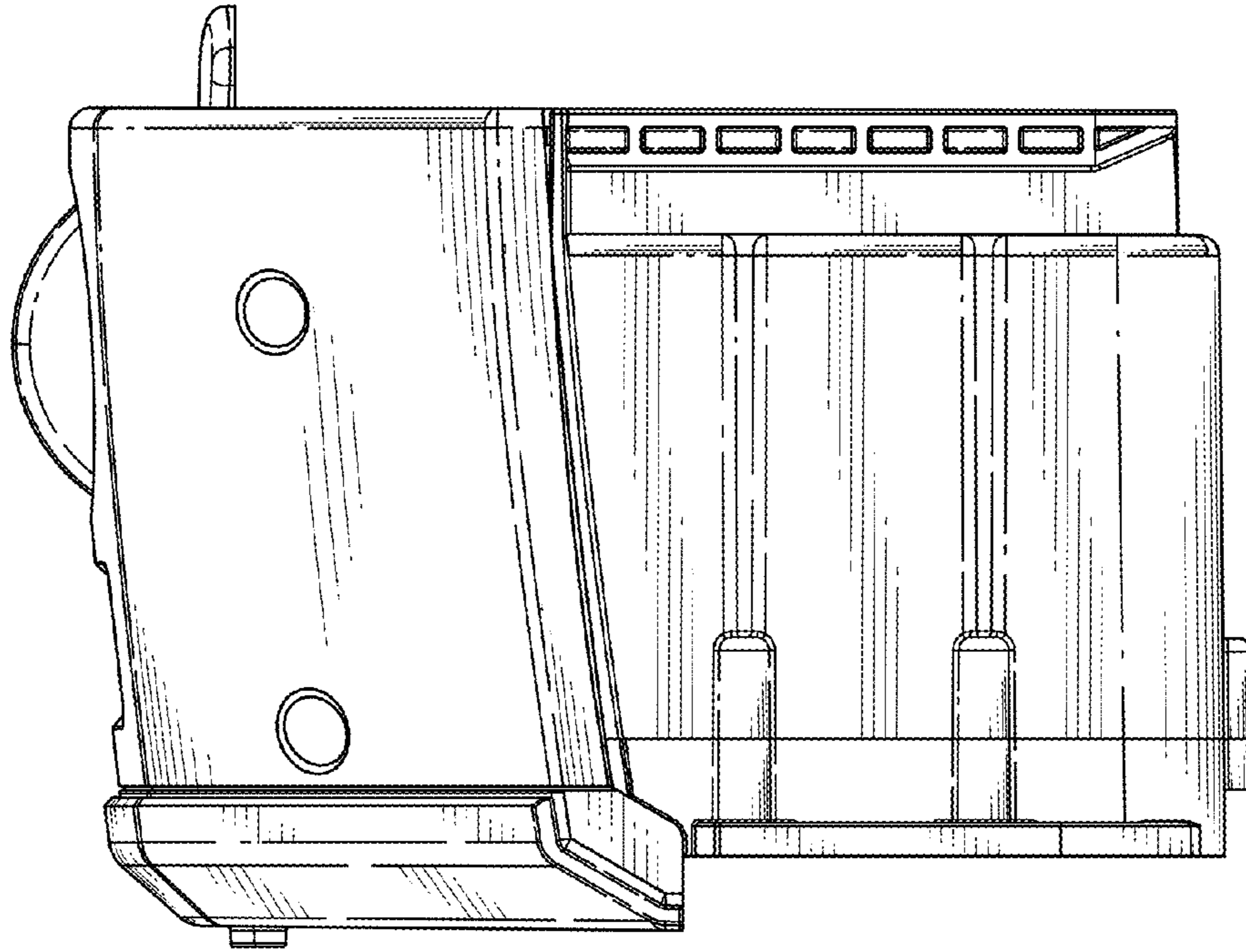


FIG. 4

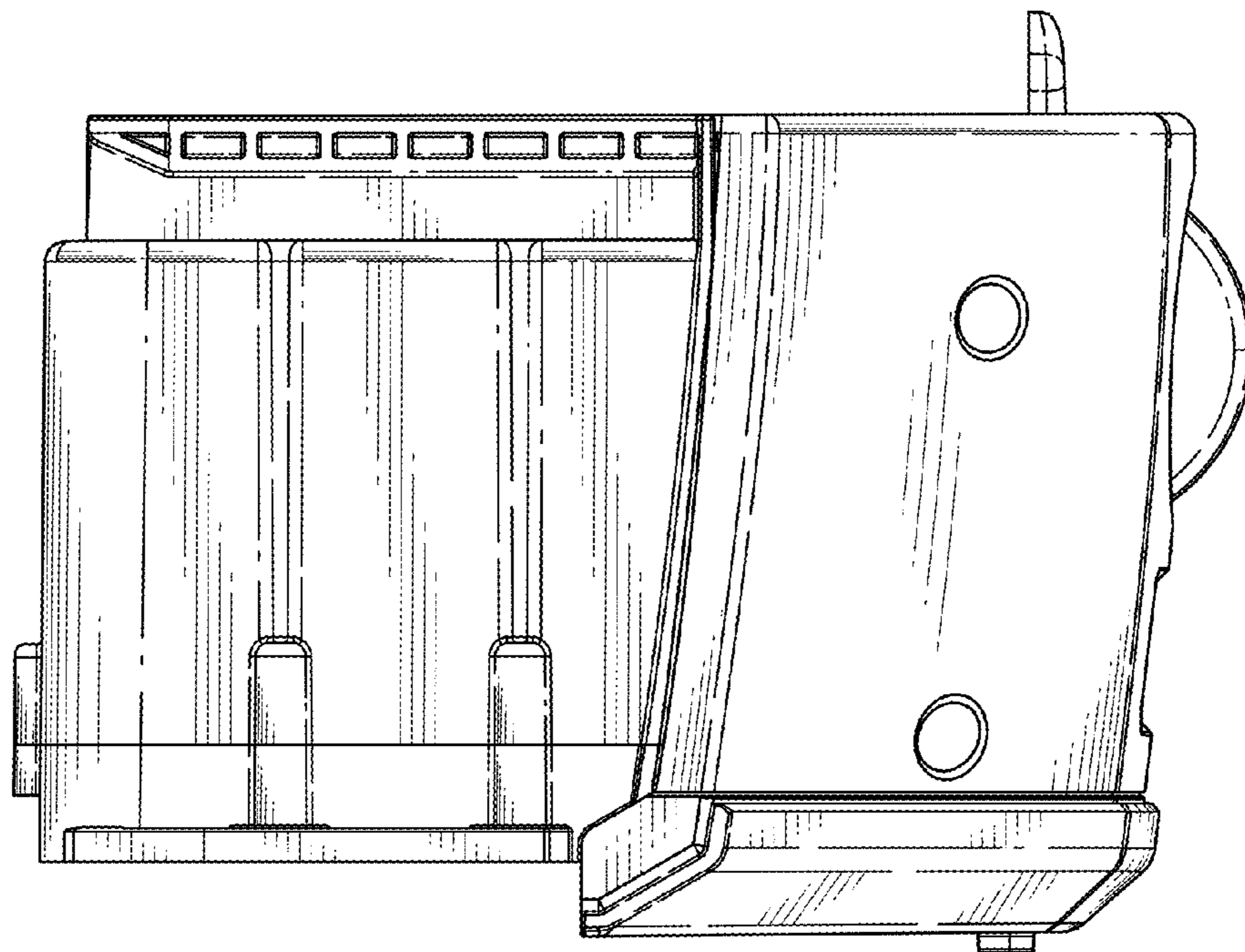


FIG. 5

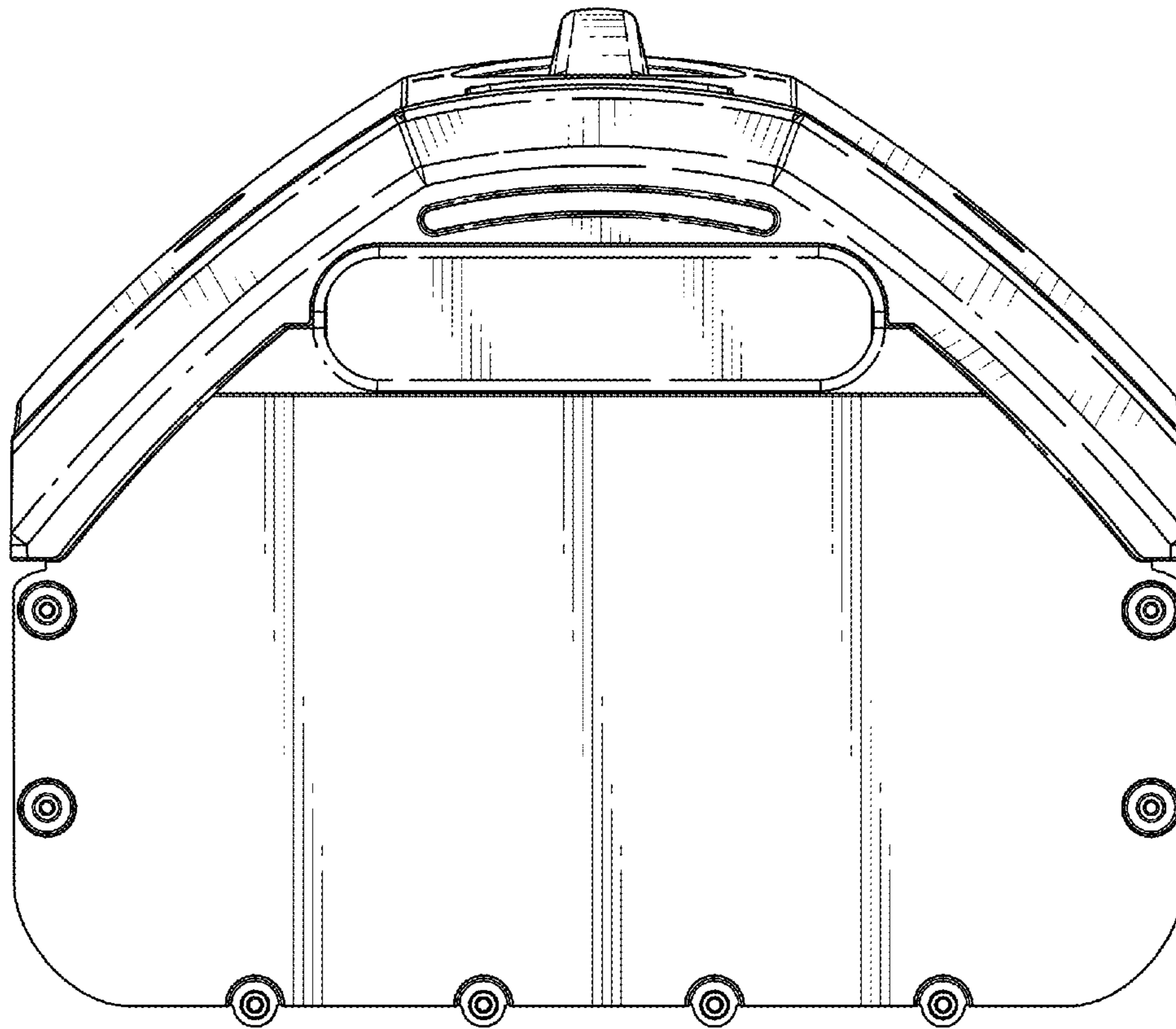


FIG. 6

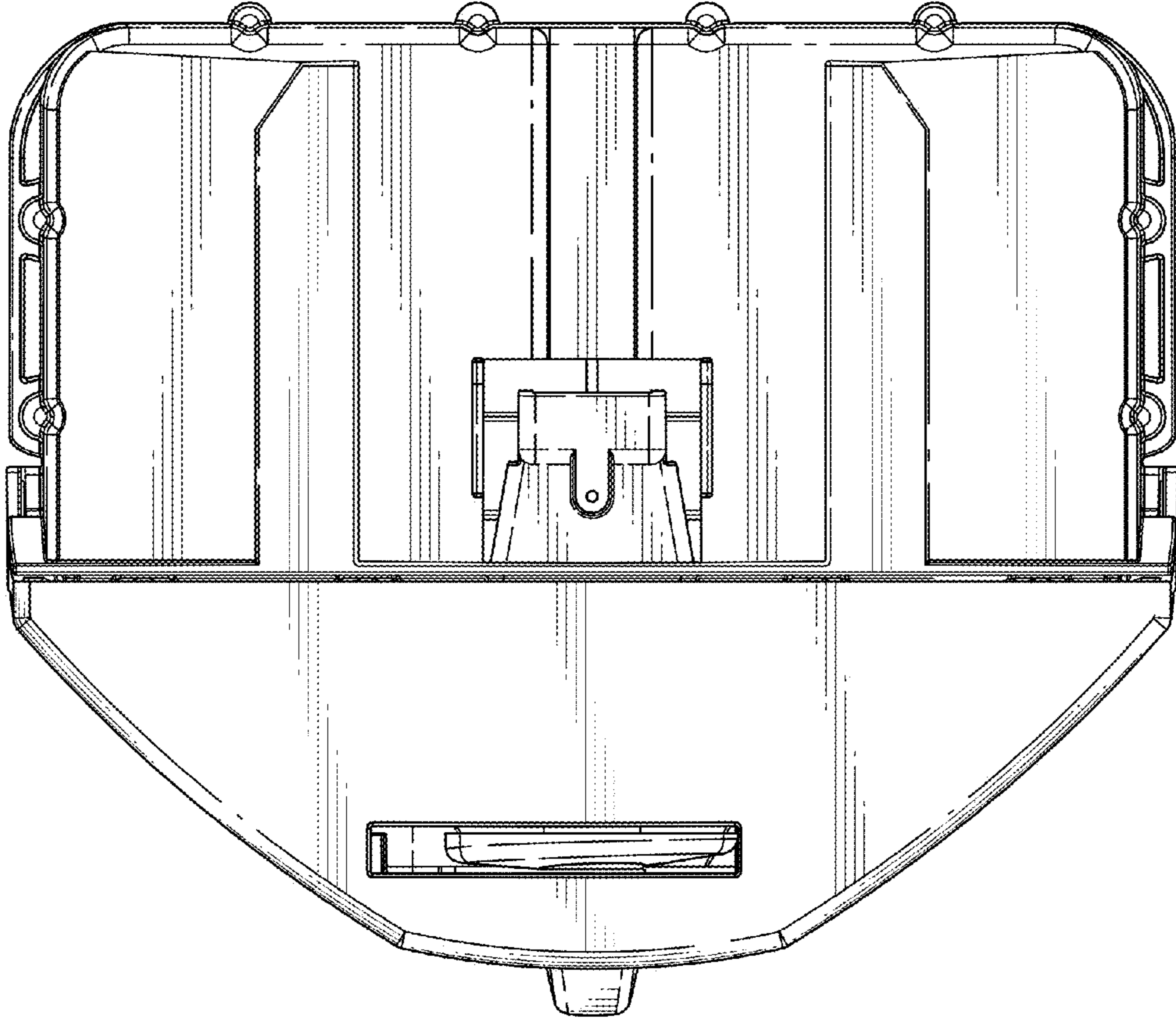


FIG. 7