



US00D697023S

(12) **United States Design Patent**  
**Fallon**

(10) **Patent No.:** **US D697,023 S**  
(45) **Date of Patent:** **\*\* Jan. 7, 2014**

- (54) **SOLAR PANEL APPARATUS**
- (71) Applicant: **Green Light Innovations**, Lake Saint Louis, MO (US)
- (72) Inventor: **Timothy G. Fallon**, Lake Saint Louis, MO (US)
- (73) Assignee: **Green Light Innovations**, Lake Saint Louis, MO (US)
- (\*\*) Term: **14 Years**
- (21) Appl. No.: **29/458,091**
- (22) Filed: **Jun. 17, 2013**

6,650,085	B2 *	11/2003	Lau et al. ....	320/101
D489,680	S	5/2004	Stobart	
D493,768	S	8/2004	Lam	
D510,316	S	10/2005	Hayakawa	
D581,865	S	12/2008	Koza	
D582,842	S	12/2008	Wei	
D617,265	S	6/2010	Sasada et al.	
D625,251	S	10/2010	Workman et al.	
D628,534	S	12/2010	Daniel	
D643,363	S	8/2011	Wigmore	
D647,048	S	10/2011	Sasada et al.	
D650,736	S	12/2011	Wharram	
D652,373	S	1/2012	Sasada et al.	
D652,376	S	1/2012	Nomi et al.	
D657,305	S	4/2012	Nomi et al.	
8,173,893	B2	5/2012	Huang	

(Continued)

**OTHER PUBLICATIONS**

Notice of Allowance in U.S. Appl. No. 29/436,490, mailed Feb. 7, 2013.

*Primary Examiner* — Derrick Holland  
(74) *Attorney, Agent, or Firm* — Armstrong Teasdale LLP

**CLAIM**

(57) The ornamental design for a solar panel apparatus, as shown and described.

**DESCRIPTION**

FIG. 1 is a perspective view of a solar panel apparatus showing my new design;  
FIG. 2 is a right side elevation view thereof;  
FIG. 3 is a front elevation view thereof;  
FIG. 4 is a left side elevation view thereof;  
FIG. 5 is a rear elevation view thereof;  
FIG. 6 is a top plan view thereof; and,  
FIG. 7 is a bottom plan view thereof.  
The phantom lines in the drawings indicate environmental structure which forms no part of the claimed design.

**1 Claim, 3 Drawing Sheets**

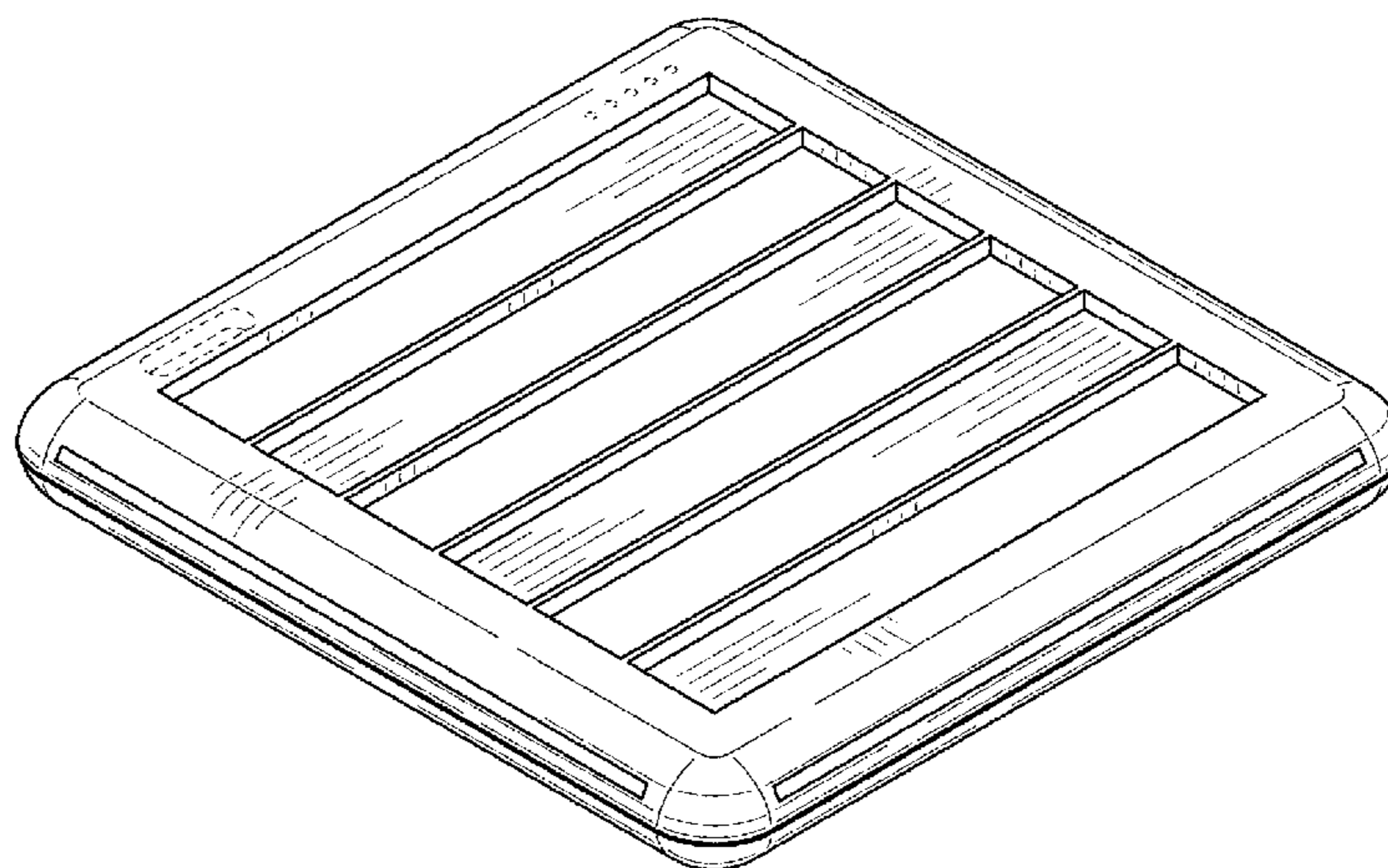
**Related U.S. Application Data**

- (62) Division of application No. 29/436,492, filed on Nov. 6, 2012, now Pat. No. Des. 686,980.
- (51) **LOC (10) Cl.** ..... **13-02**
- (52) **U.S. Cl.**  
USPC ..... **D13/102**
- (58) **Field of Classification Search**  
USPC ..... D13/102, 101, 103, 107, 108, 199;  
136/206, 243, 244, 245, 252; 320/101,  
320/102, 114, 115, 120  
See application file for complete search history.

**References Cited**

**U.S. PATENT DOCUMENTS**

- (56) 4,786,851 A \* 11/1988 Fuji et al. .... 320/101
- 5,260,885 A \* 11/1993 Ma ..... 361/679.26
- 5,522,943 A 6/1996 Spencer et al.
- 5,542,988 A \* 8/1996 Bogus ..... 136/244
- D391,921 S 3/1998 Zimmer et al.
- D395,279 S \* 6/1998 Peress et al. .... D13/107
- D400,162 S 10/1998 Lam
- 6,476,311 B1 11/2002 Lee et al.
- D479,191 S \* 9/2003 Peress et al. .... D13/102



(56)

**References Cited**

U.S. PATENT DOCUMENTS

2005/0162121 A1 7/2005 Chan  
2009/0007958 A1 1/2009 Ho et al.  
2009/0256520 A1 10/2009 Frishman  
2010/0153312 A1 6/2010 Lemaire

2011/0065474 A1 3/2011 Won et al.  
2011/0109259 A1 5/2011 Choi et al.  
2011/0204843 A1 8/2011 Foster  
2011/0291607 A1 12/2011 Rossi et al.  
2012/0031470 A1 2/2012 Dimov et al.

\* cited by examiner

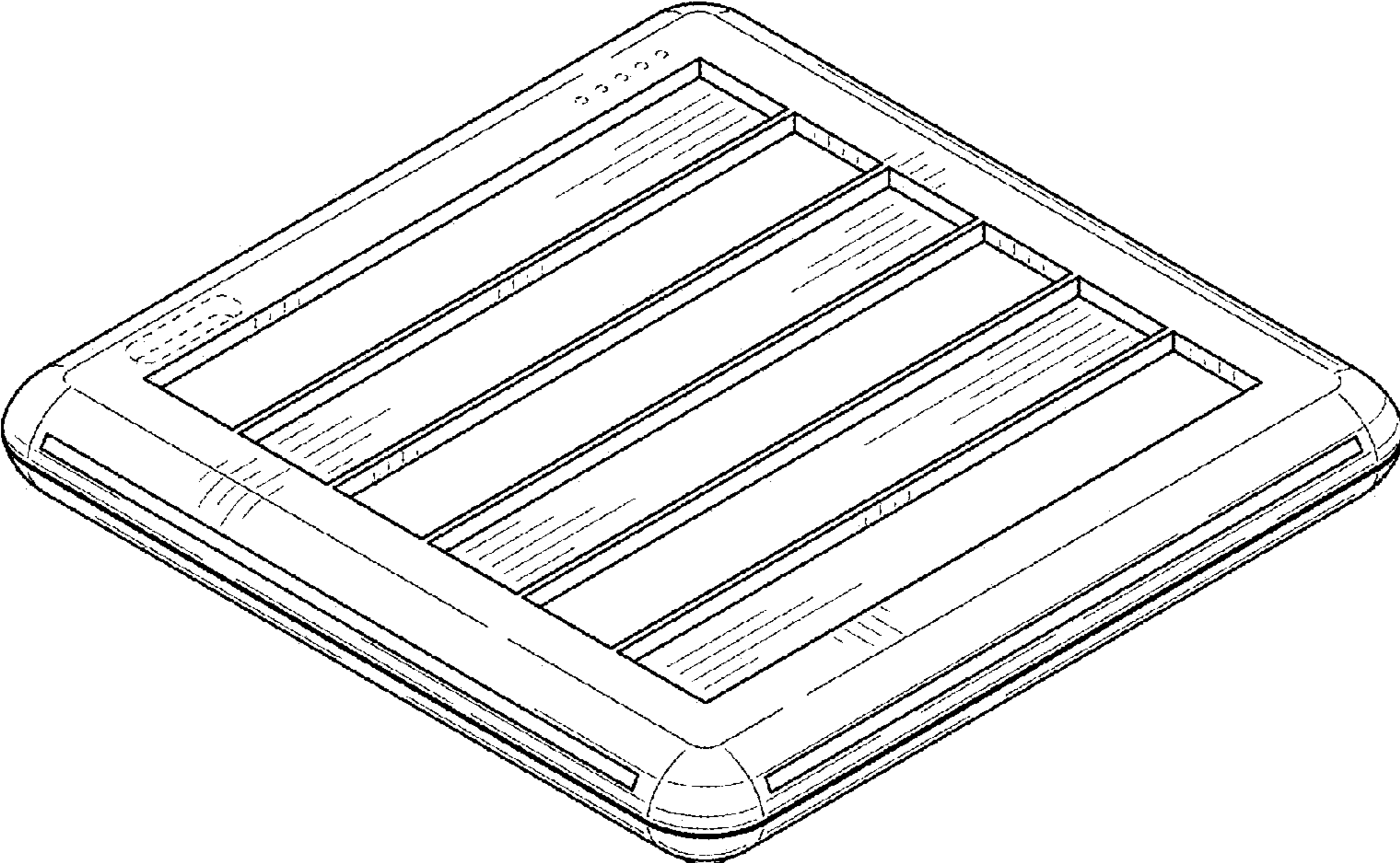


FIG. 1

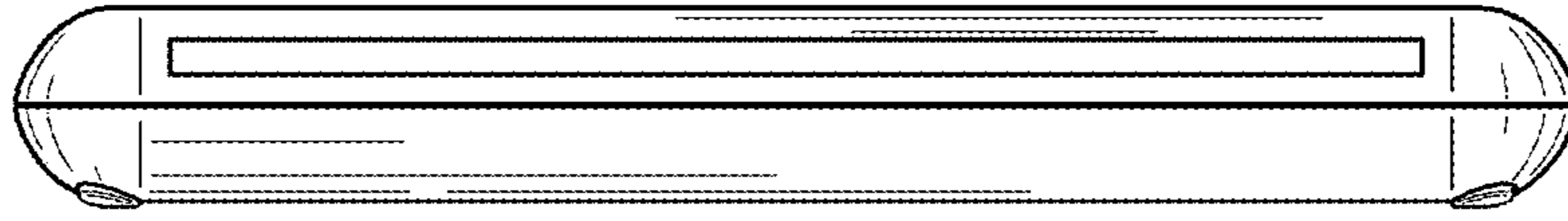


FIG. 2

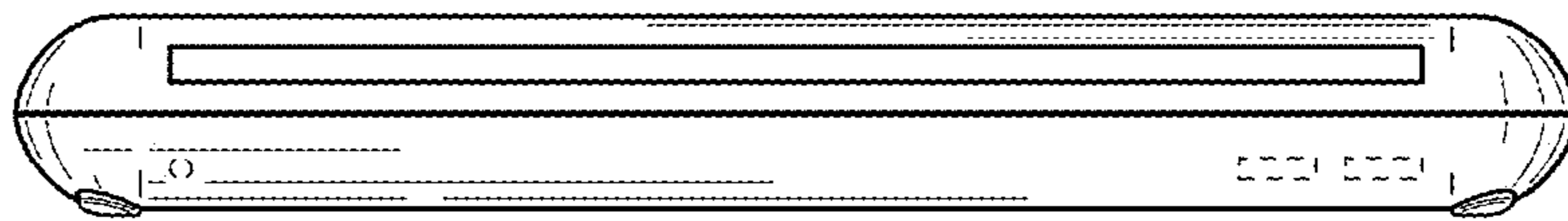


FIG. 3

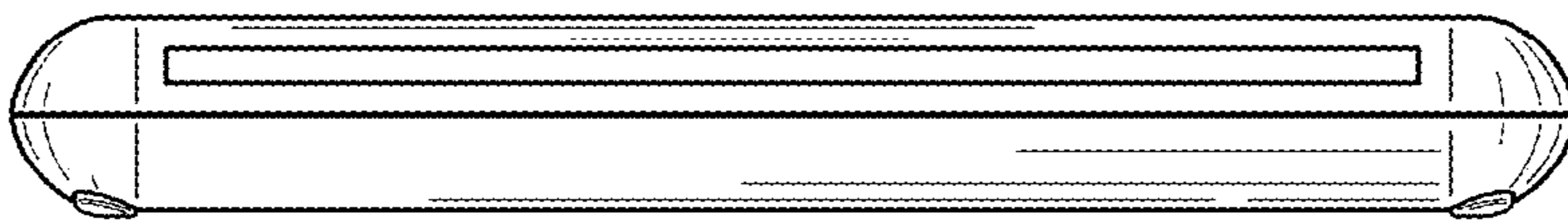


FIG. 4

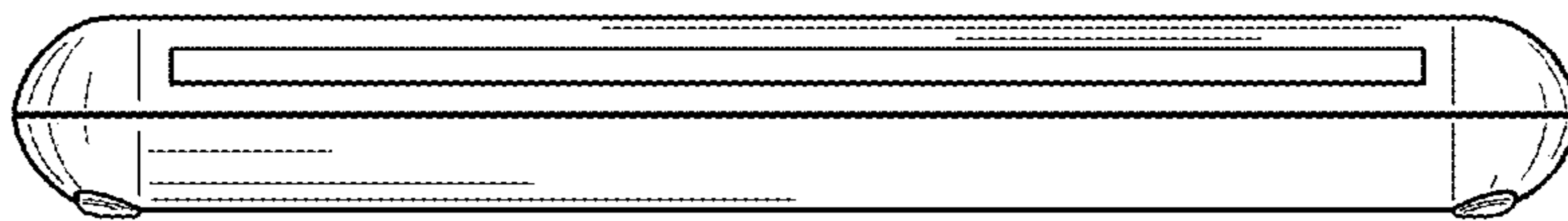


FIG. 5

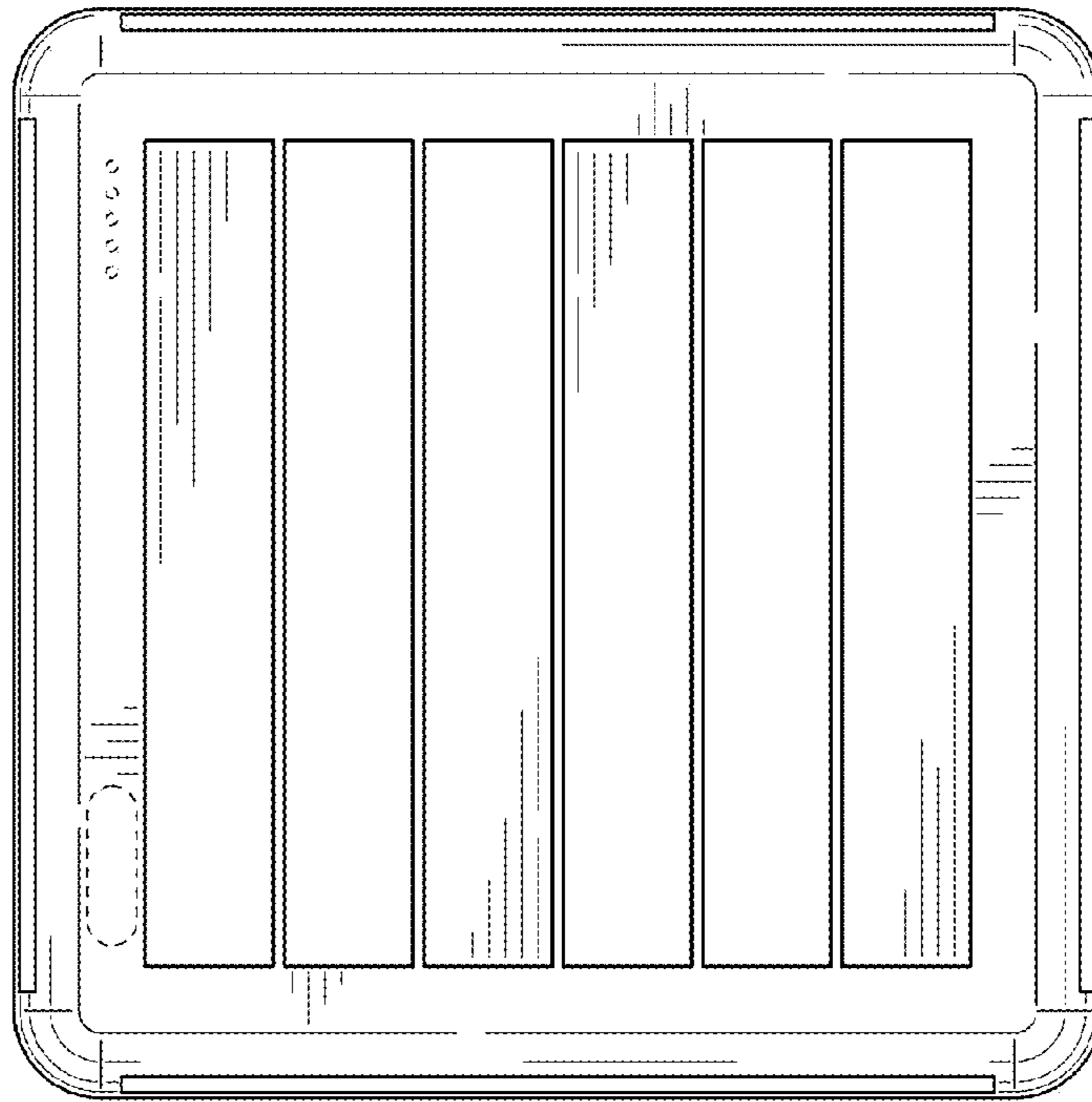


FIG. 6

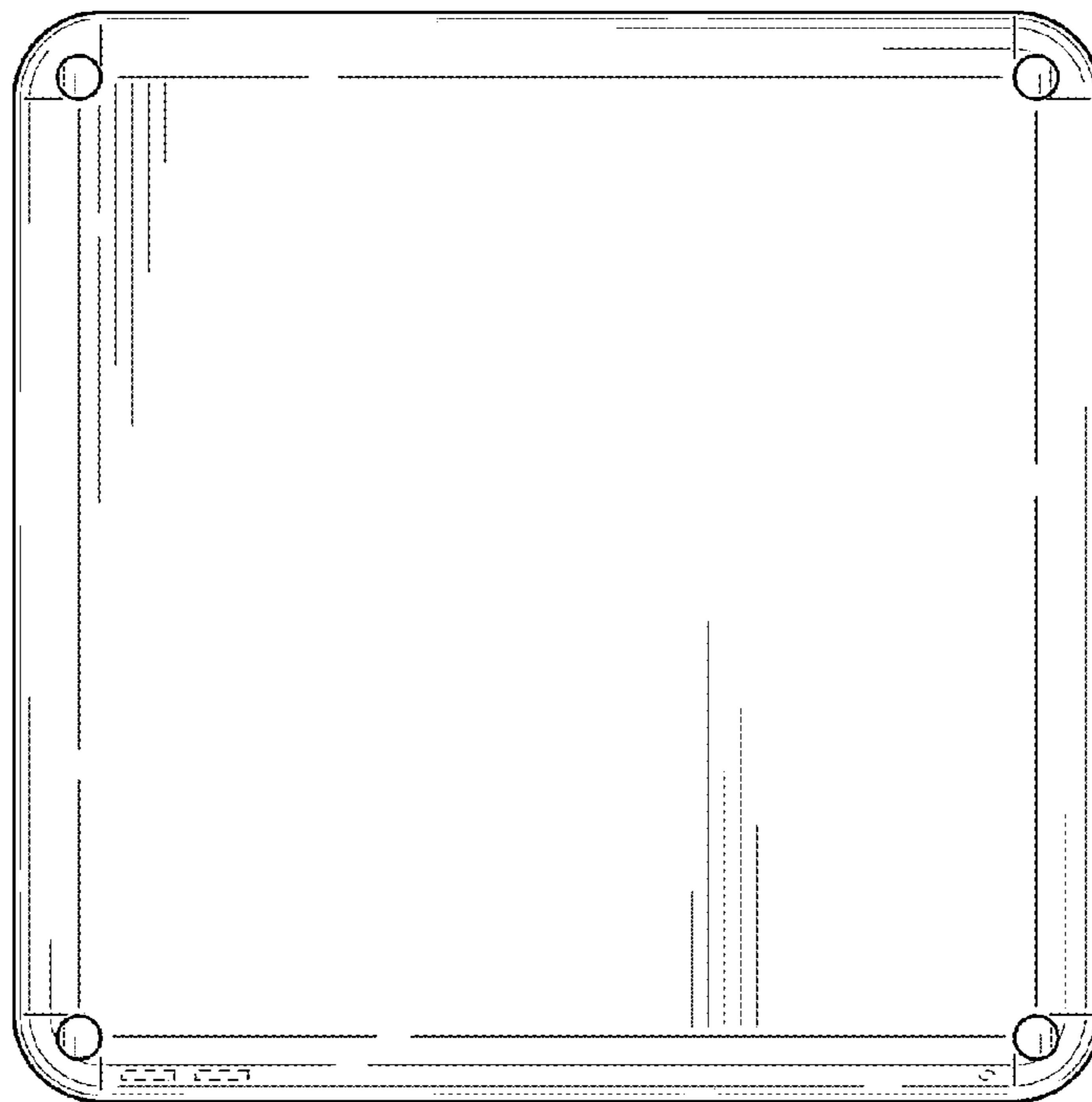


FIG. 7