

US00D697020S

(12) **United States Design Patent**
Avalos-Sartorio et al.

(10) **Patent No.:** **US D697,020 S**
(45) **Date of Patent:** **** Jan. 7, 2014**

(54) **CAR TRUNK ORGANIZER**

(76) Inventors: **Miguel Jose Avalos-Sartorio**,
Tlalnepantla (MX); **Carlos Jose**
Avalos-Sartorio, Tlalnepantla (MX)

(**) Term: **14 Years**

(21) Appl. No.: **29/424,337**

(22) Filed: **Jun. 11, 2012**

(30) **Foreign Application Priority Data**

Mar. 6, 2012 (MX) MX/f/2012/000787

(51) **LOC (10) Cl.** **12-16**

(52) **U.S. Cl.**
USPC **D12/415**

(58) **Field of Classification Search**
USPC D12/415, 416, 417, 418, 419, 420;
296/36; 22/539; 224/404; 248/274.1,
248/284.1; D8/354; D9/423; D14/451-452
See application file for complete search history.

(56) **References Cited**

U.S. PATENT DOCUMENTS

D279,329 S *	6/1985	Dzak	D12/415
D279,426 S *	7/1985	Dzak	D12/415
D305,502 S *	1/1990	Waters	D12/414.1
D360,755 S *	8/1995	McClure	D3/273
D363,916 S *	11/1995	Johnson	D12/415
D429,209 S *	8/2000	Inchaurregui	D12/415

6,478,204 B2 *	11/2002	Lange et al.	224/539
6,719,343 B2 *	4/2004	Emerling et al.	296/24.34
7,475,954 B1 *	1/2009	Latunski	312/297
D588,520 S *	3/2009	Stewart	D12/415
D615,023 S *	5/2010	Moburg et al.	D12/415
7,735,538 B2 *	6/2010	Ogawa	160/230

OTHER PUBLICATIONS

U.S. Appl. No. 29/427,093, filed Jul. 13, 2012, Sartorio, et al.

* cited by examiner

Primary Examiner — Katrina A Betton

(74) *Attorney, Agent, or Firm* — Oblon, Spivak,
McClelland, Maier & Neustadt, L.L.P.

(57) **CLAIM**

The ornamental design for a car trunk organizer, as shown and described.

DESCRIPTION

FIG. 1 is a front, top, and right side perspective view of a car trunk organizer;
FIG. 2 is a rear, bottom, and left side perspective view thereof;
FIG. 3 is a rear, top, and left side perspective view thereof;
FIG. 4 is a top plan view thereof;
FIG. 5 is a bottom plan view thereof;
FIG. 6 is a front elevational view thereof;
FIG. 7 is a rear elevational view thereof;
FIG. 8 is a left side elevational view thereof; and,
FIG. 9 is a right side elevational view thereof.

1 Claim, 9 Drawing Sheets

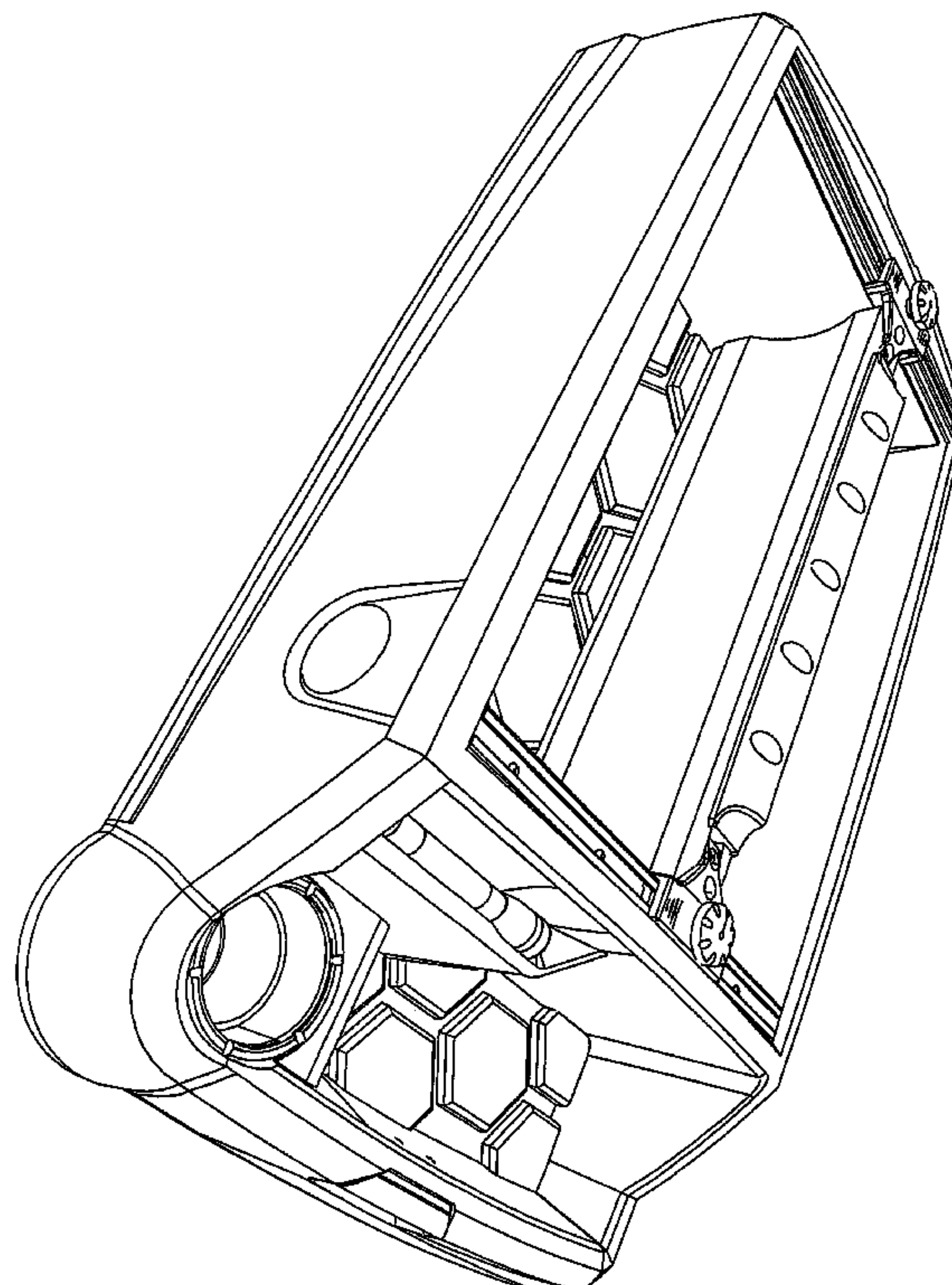
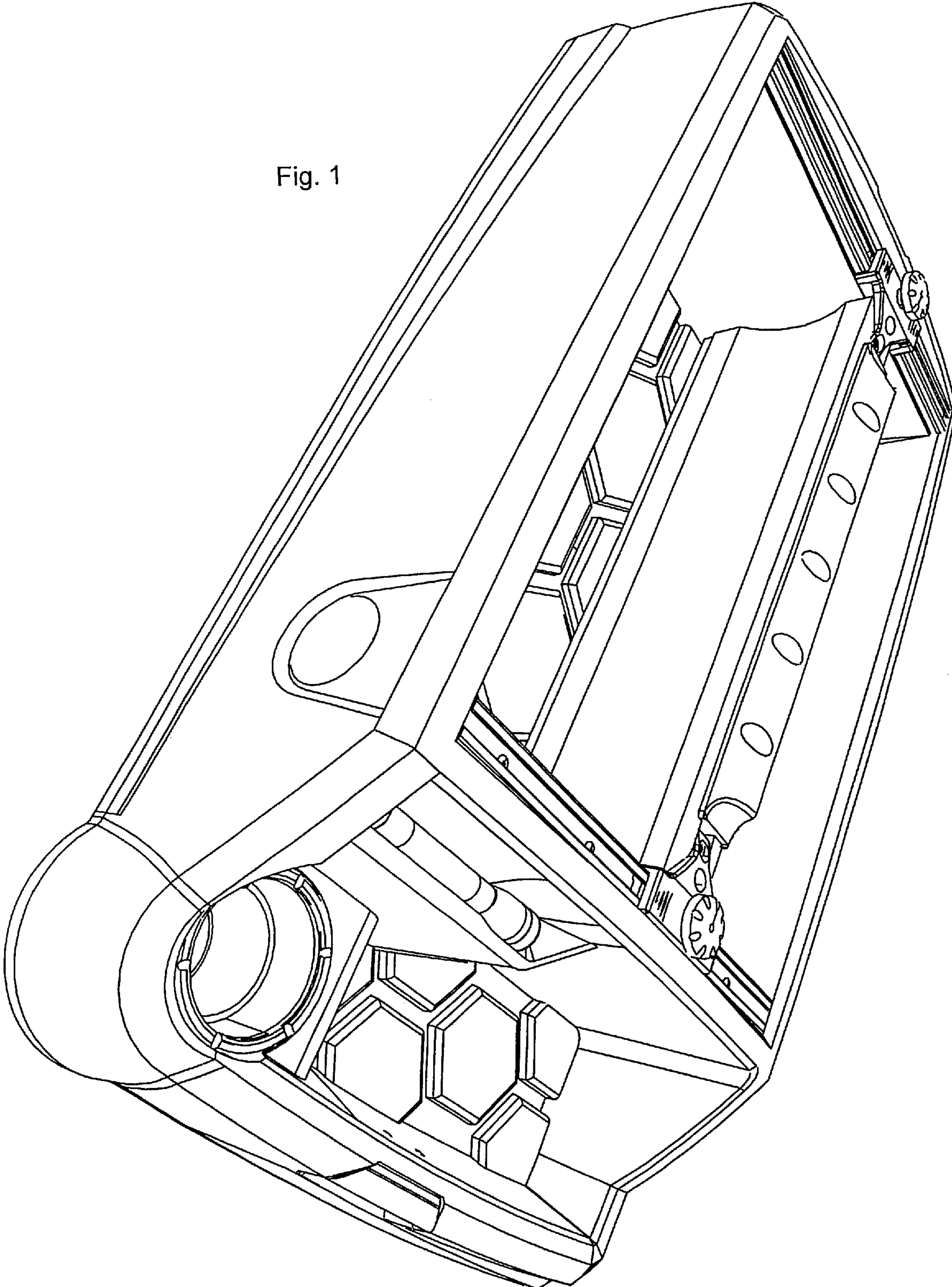


Fig. 1



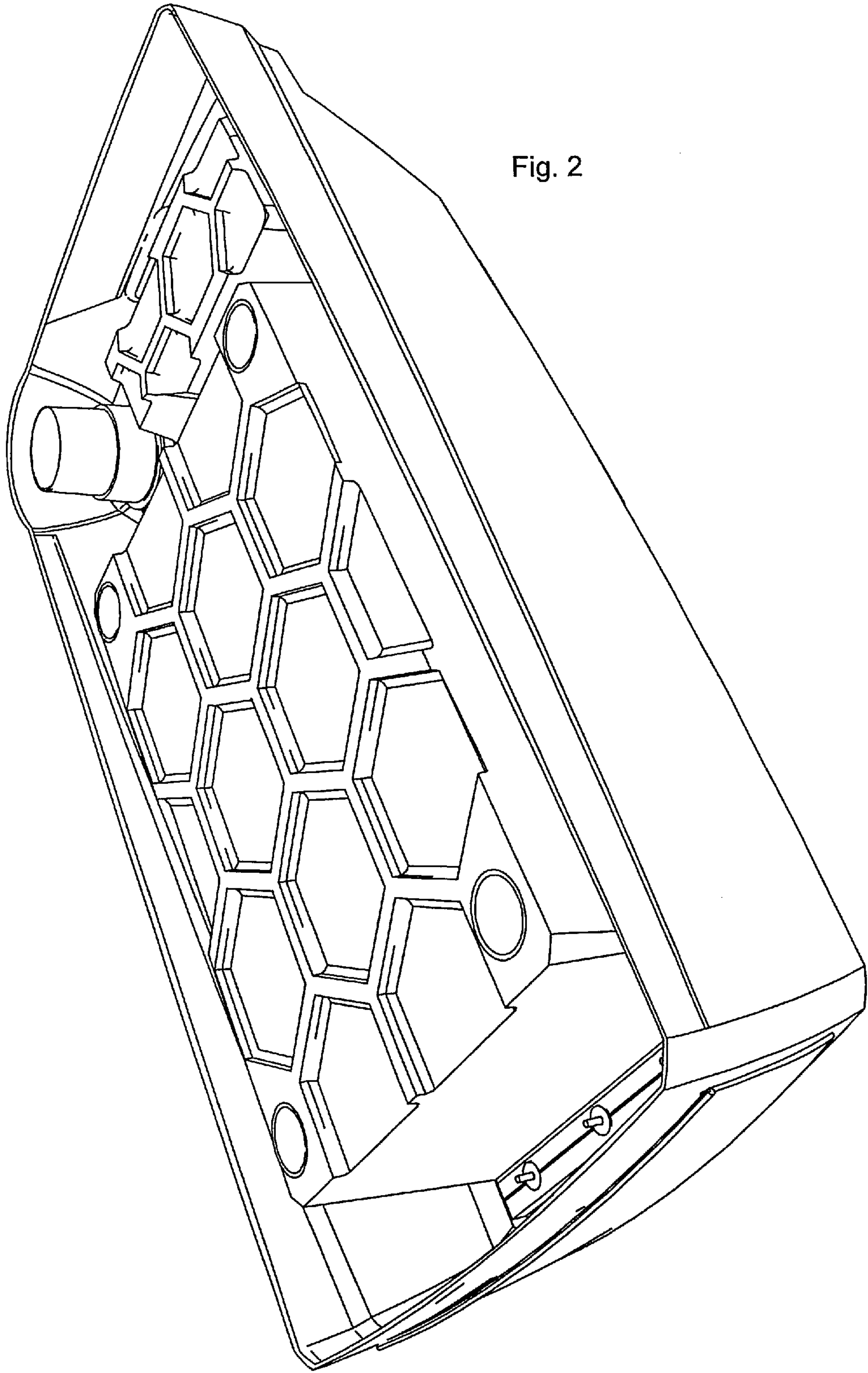


Fig. 2

Fig. 3

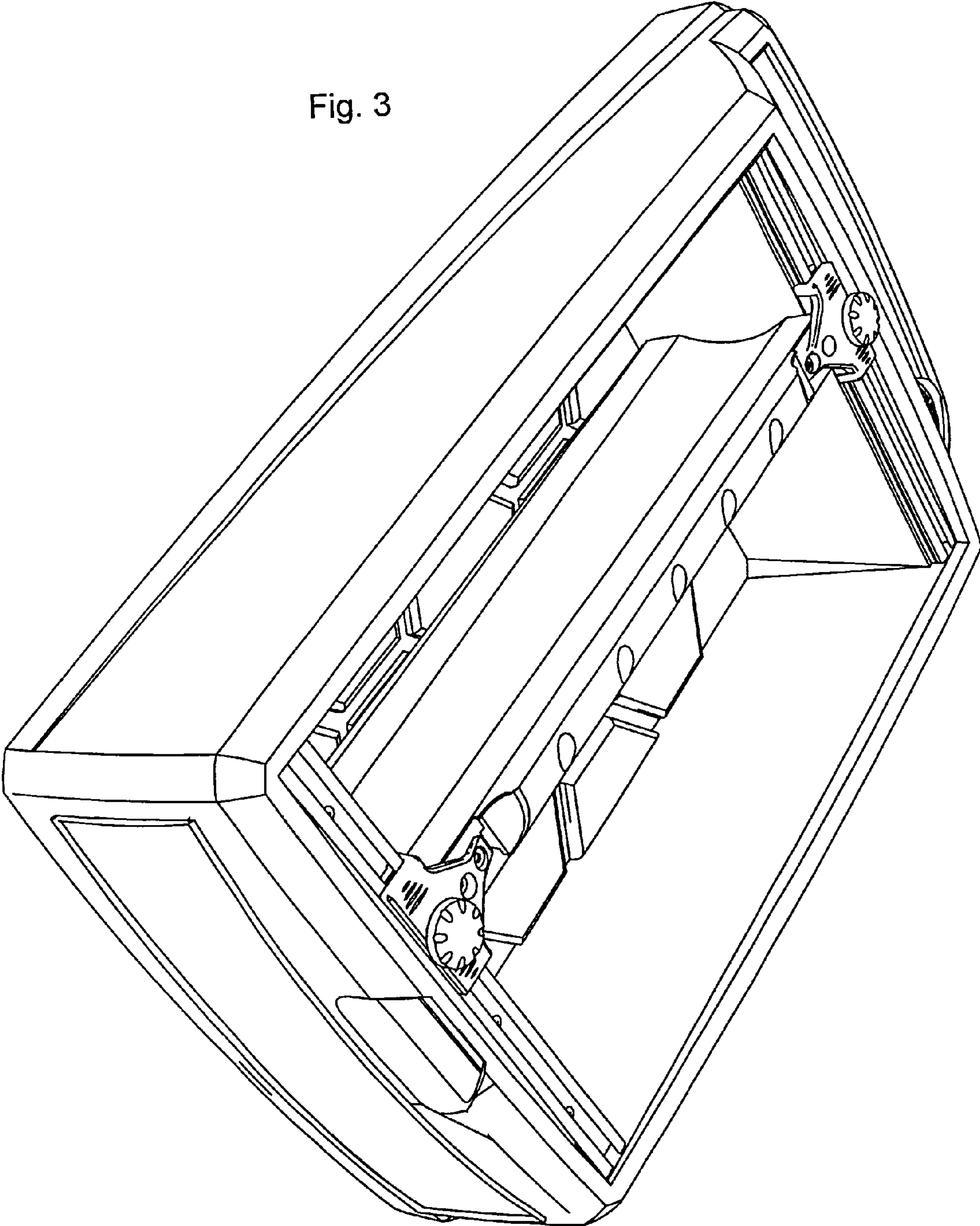


Fig. 4

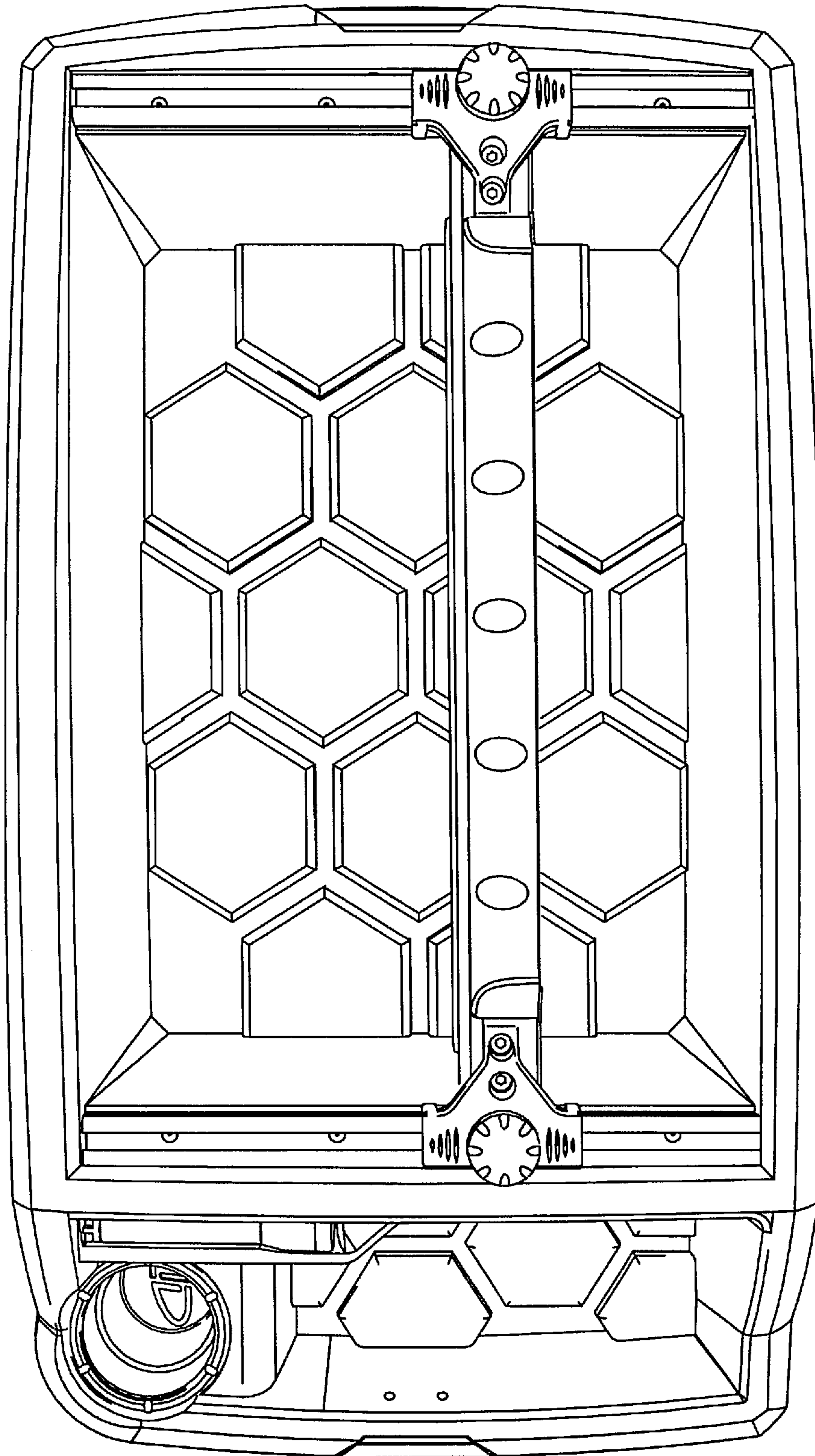


Fig. 5

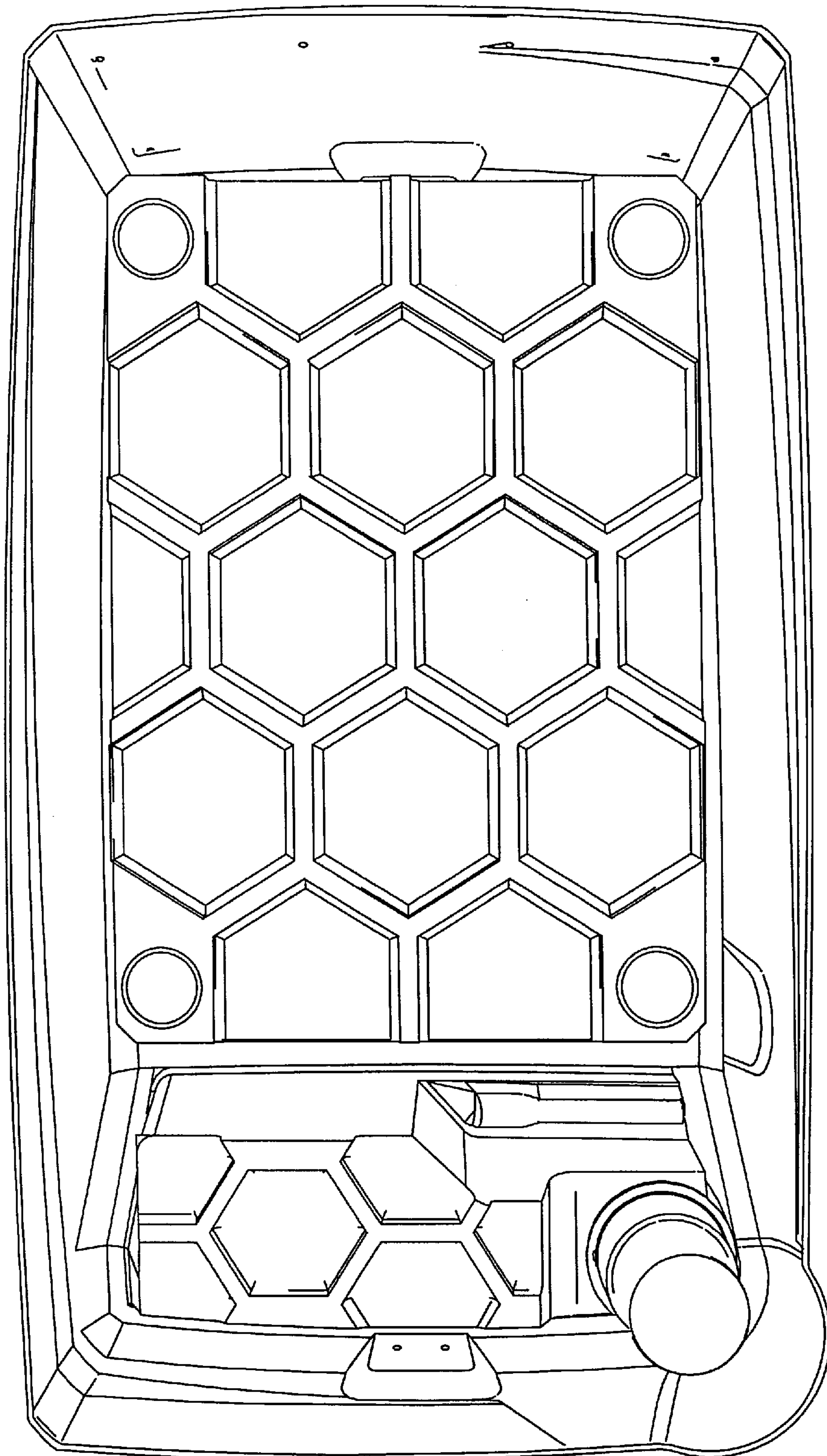


Fig. 6

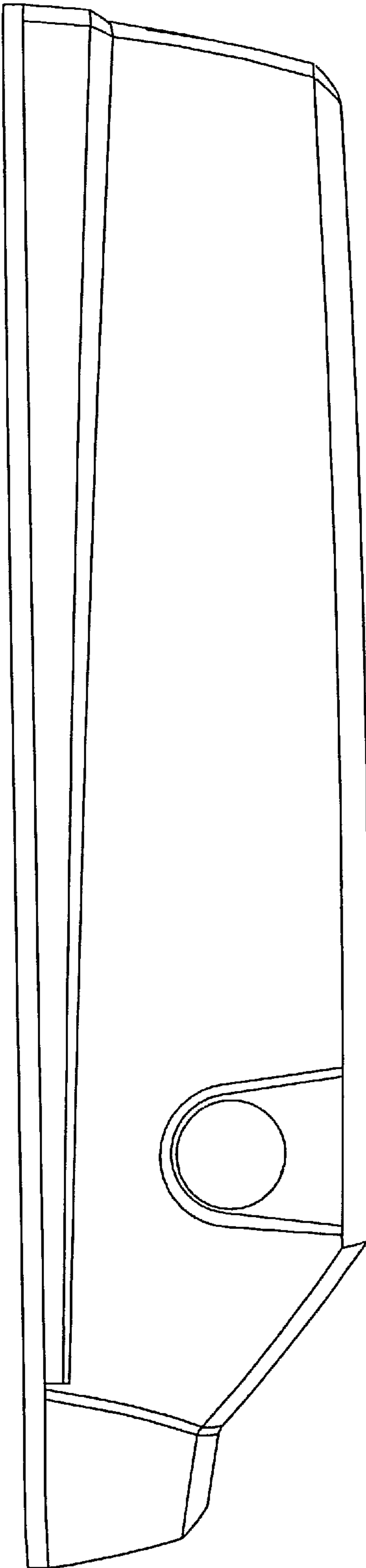
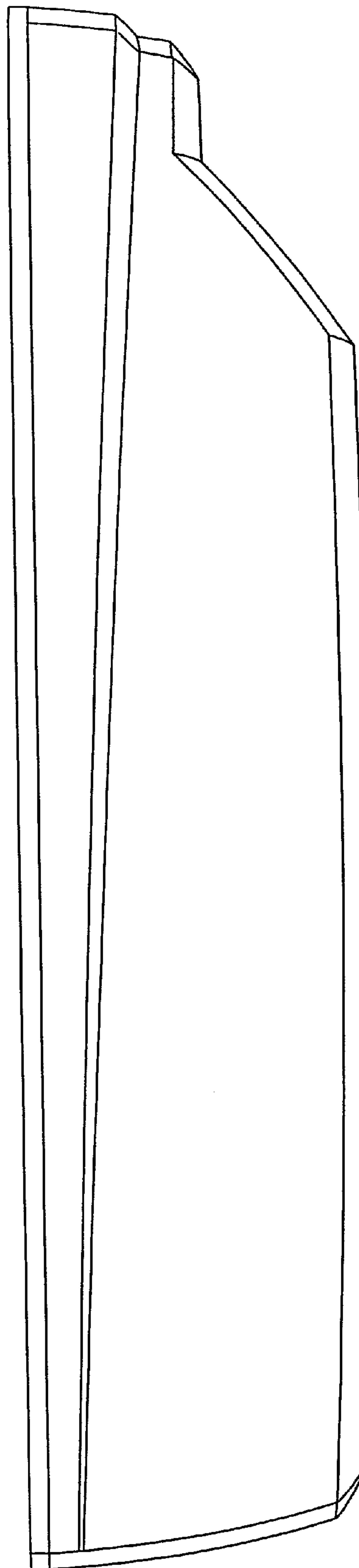


Fig. 7



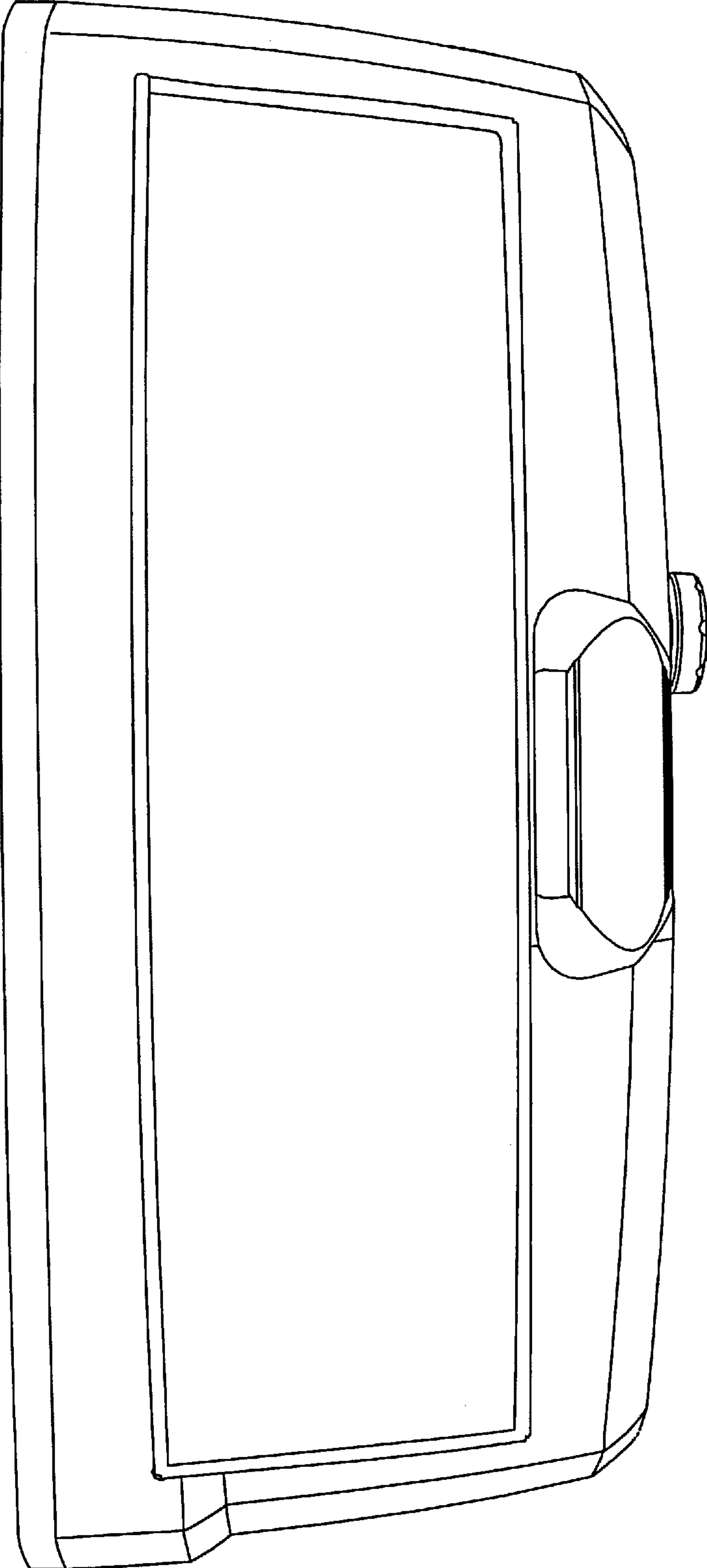


Fig. 8

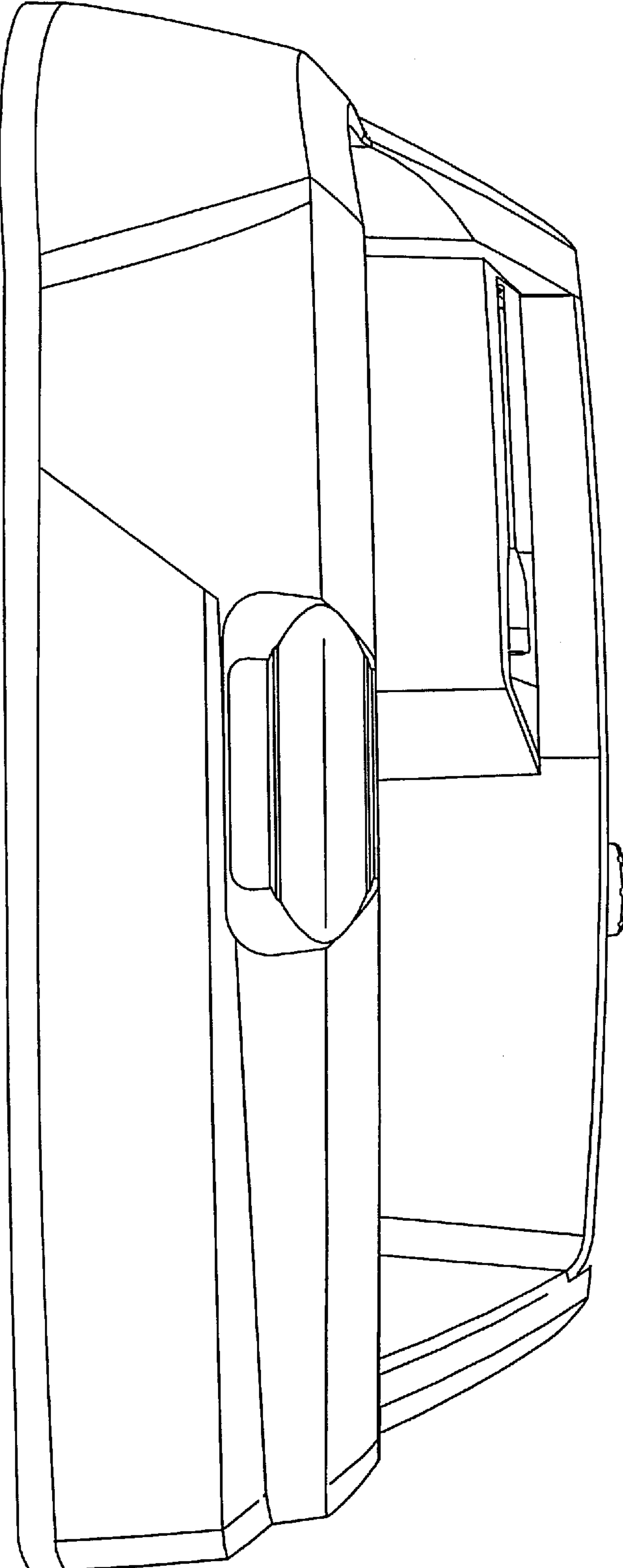


Fig. 9