



US00D697019S

(12) **United States Design Patent**  
**Friesel**

(10) **Patent No.:** **US D697,019 S**  
(45) **Date of Patent:** **\*\* Jan. 7, 2014**

(54) **FLYING WING**

(71) Applicant: **Eric Walter Friesel**, Warrensburg, MO  
(US)

(72) Inventor: **Eric Walter Friesel**, Warrensburg, MO  
(US)

(\*\*) Term: **14 Years**

(21) Appl. No.: **29/437,045**

(22) Filed: **Nov. 12, 2012**

(51) **LOC (10) Cl.** ..... **12-07**

(52) **U.S. Cl.**  
USPC ..... **D12/319; D12/4; D12/345**

(58) **Field of Classification Search**  
USPC ..... D12/1, 2, 4, 16.1, 319, 320, 326, 330,  
D12/333, 345; D21/430, 436, 437, 442,  
D21/445, 447, 448, 449, 450, 451, 453;  
244/2, 12.4, 12.6, 13, 36, 49, 50,  
244/17.25, 73 R, 218; 180/116; 114/272;  
446/34-45, 61-68, 230-232

See application file for complete search history.

(56) **References Cited**

**U.S. PATENT DOCUMENTS**

D113,880 S *	3/1939	Rogers	.....	D12/326
2,294,367 A *	9/1942	Fleming	.....	244/36
2,384,893 A *	9/1945	Crook	.....	244/73 R
2,402,358 A *	6/1946	Bauman	.....	244/13
2,561,291 A *	7/1951	Rethorst	.....	244/50
2,681,773 A *	6/1954	Rethorst	.....	244/2
2,734,701 A *	2/1956	Horton	.....	244/218
D185,395 S *	6/1959	Sullivan	.....	D12/333

D185,535 S *	6/1959	Coleman	.....	D12/333
2,926,869 A *	3/1960	Sullivan	.....	244/12.4
D188,359 S *	7/1960	Le Bel	.....	D12/330
2,957,647 A *	10/1960	Shew	.....	244/12.6
3,083,936 A *	4/1963	Rethorst	.....	244/49
3,558,082 A *	1/1971	Bennie	.....	244/17.25
3,869,102 A *	3/1975	Carroll	.....	244/36
D238,937 S *	2/1976	Szakas	.....	D12/333
4,440,361 A *	4/1984	McGann	.....	244/36
D331,893 S *	12/1992	Szakacs	.....	D12/4
5,950,559 A *	9/1999	Klem	.....	114/272
6,325,011 B1 *	12/2001	Klem	.....	114/272
2004/0050602 A1 *	3/2004	Jones	.....	180/116

\* cited by examiner

*Primary Examiner* — Caron D Veynar  
*Assistant Examiner* — Martie K Holtje

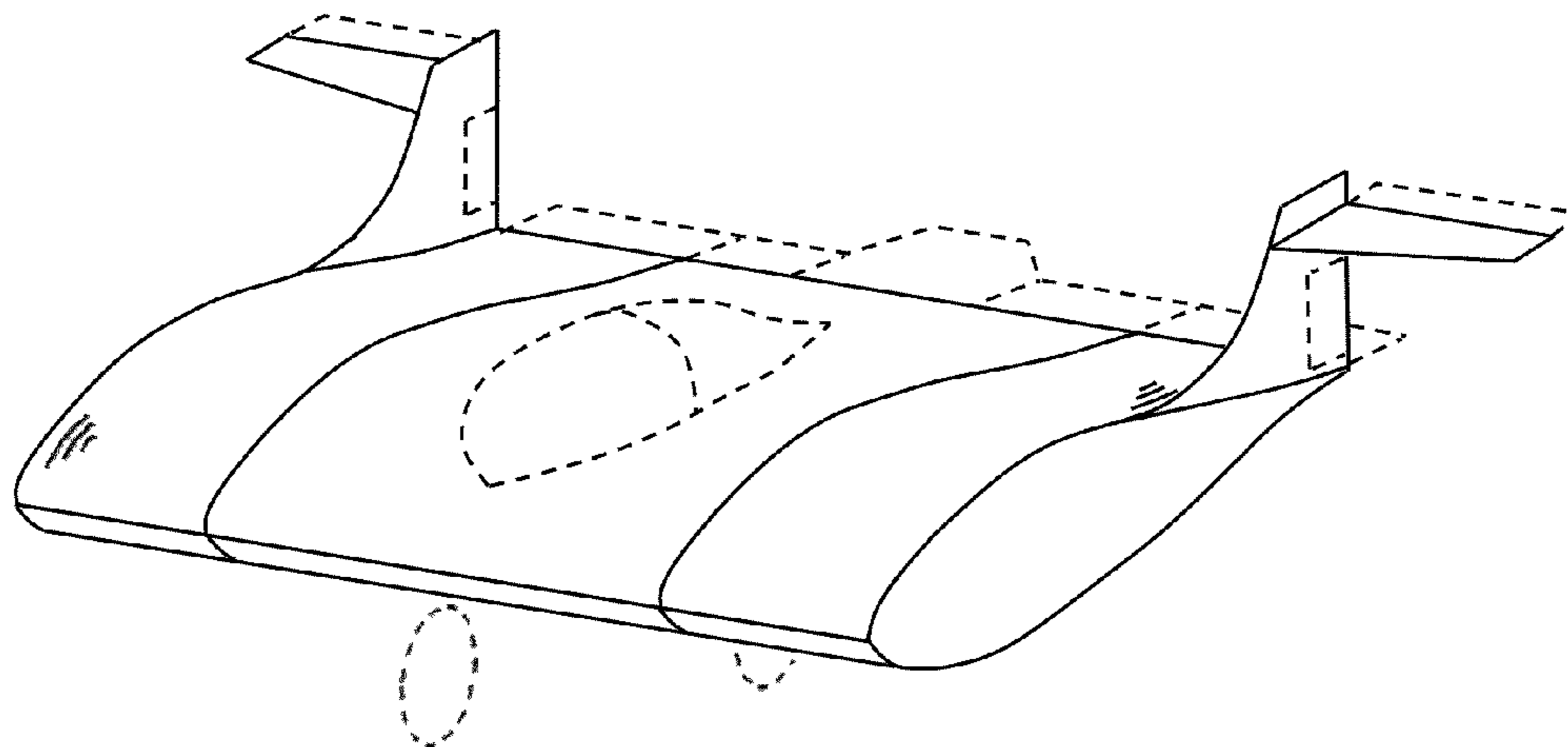
(57) **CLAIM**

The ornamental design for a flying wing, as shown and described.

**DESCRIPTION**

FIG. 1 is a front perspective view of a flying wing showing my new design;  
FIG. 2 is a front elevational view thereof;  
FIG. 3 is a rear perspective view thereof;  
FIG. 4 is a right side elevational view, the left side being a mirror image thereof;  
FIG. 5 is a top plan view thereof; and,  
FIG. 6 is a bottom plan view thereof.  
The structural elements depicted by broken lines have been shown for the purpose of illustrating portions of the flying wing that form no part of the claimed design.

**1 Claim, 3 Drawing Sheets**



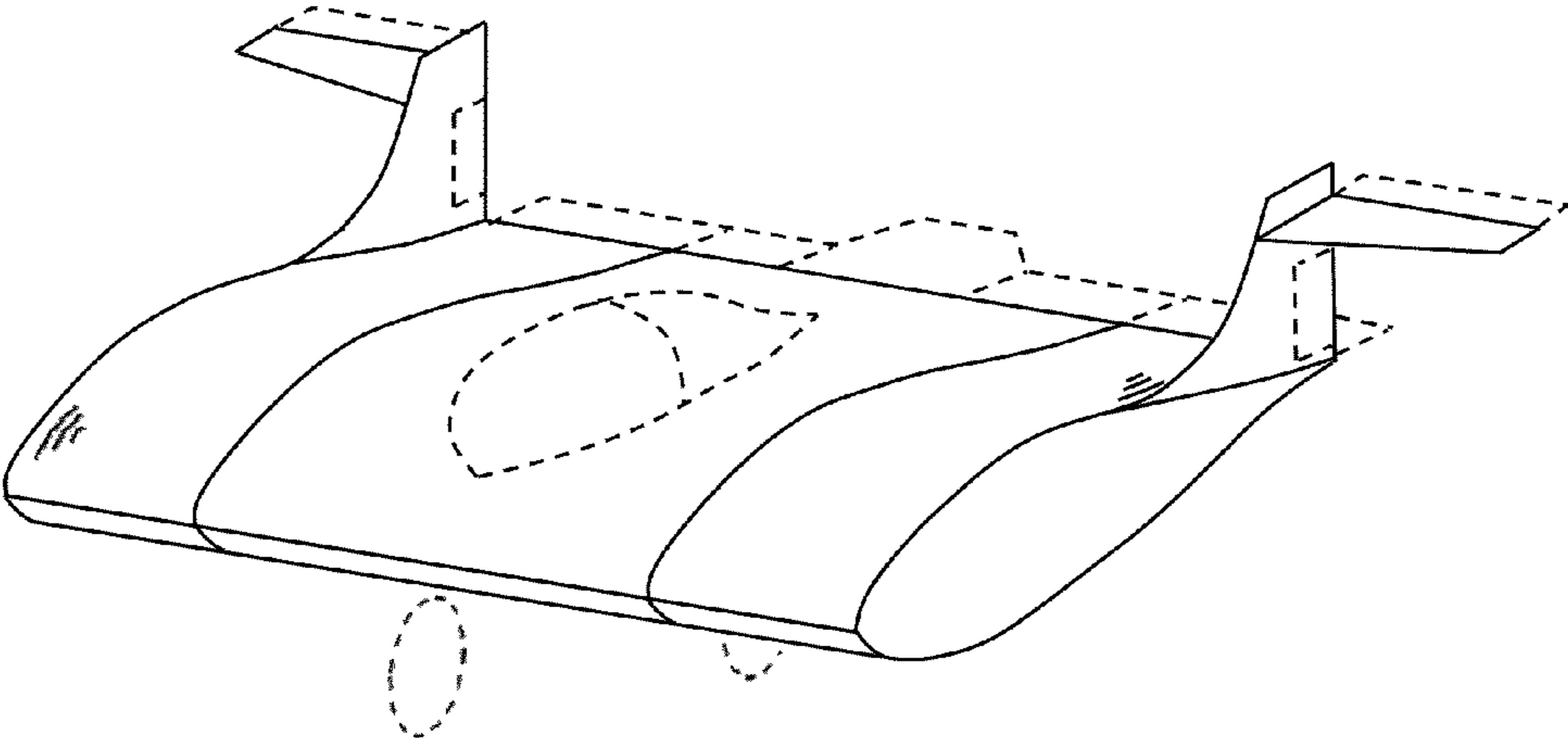


FIG. 1

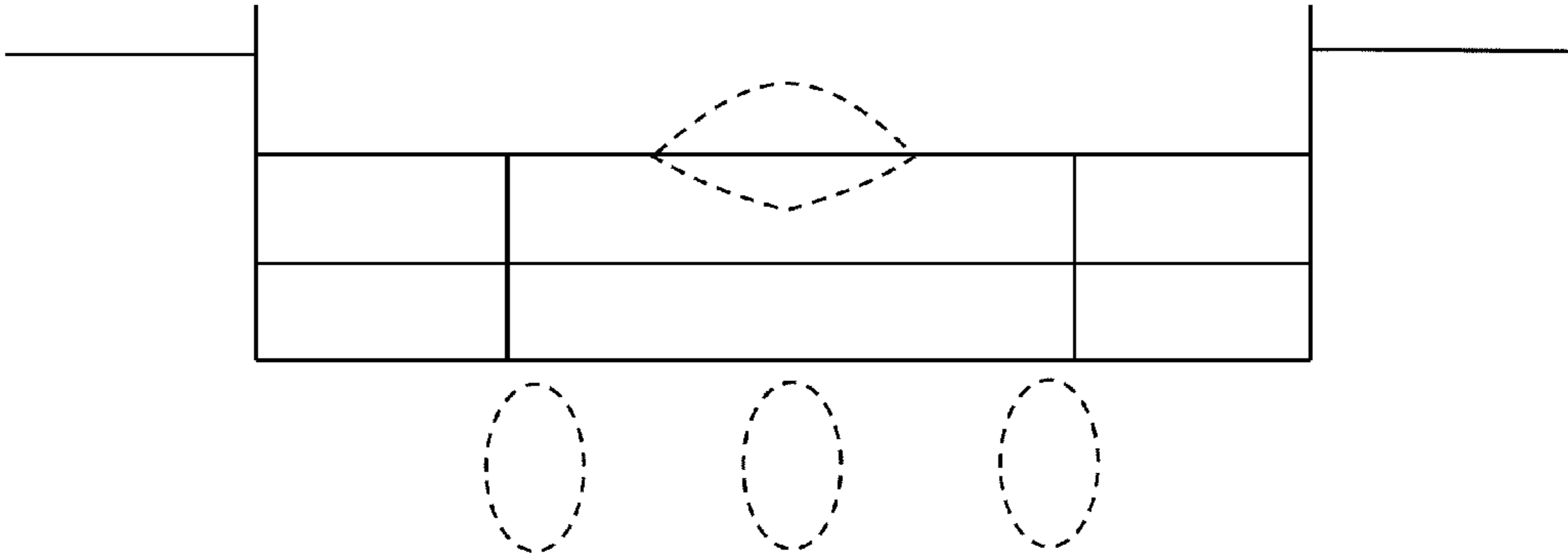


FIG. 2

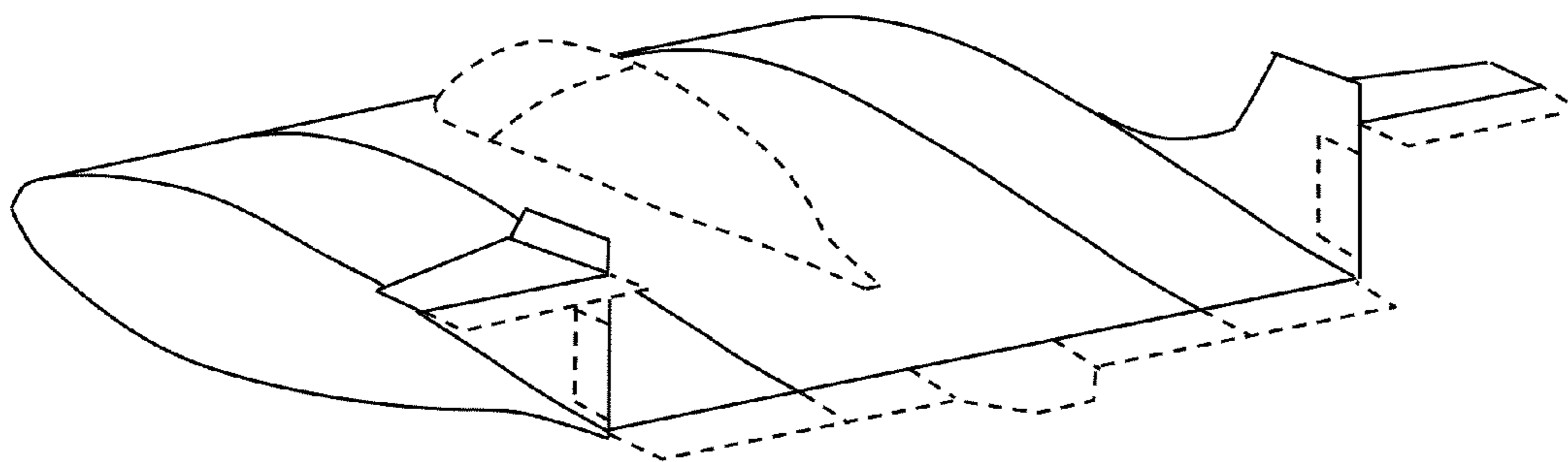


FIG. 3

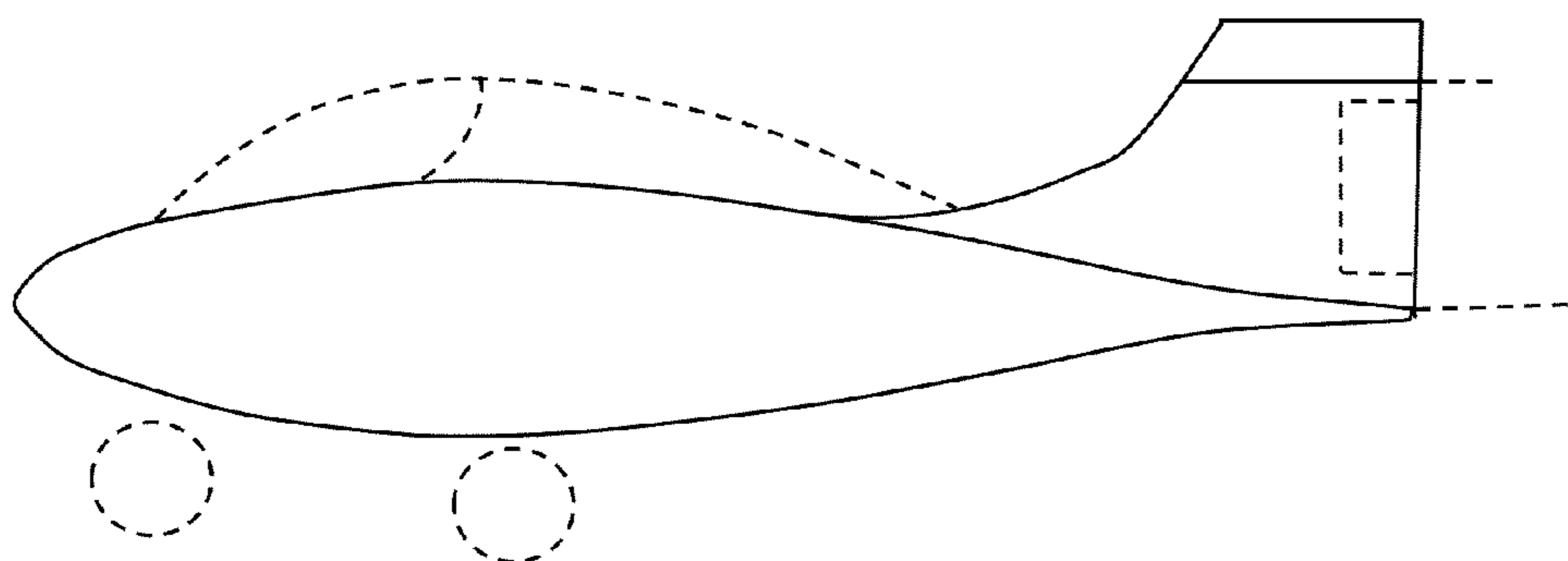


FIG. 4

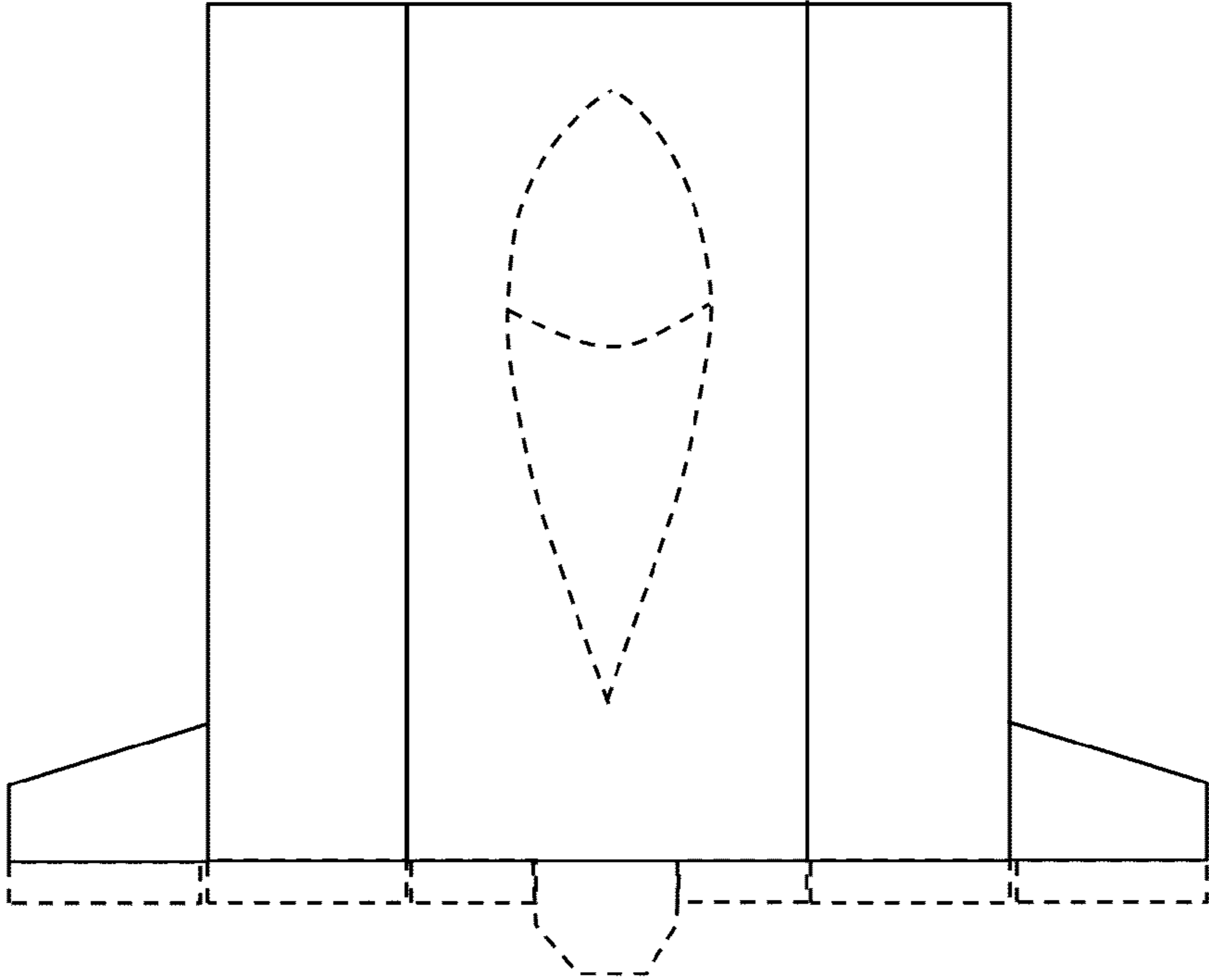


FIG. 5

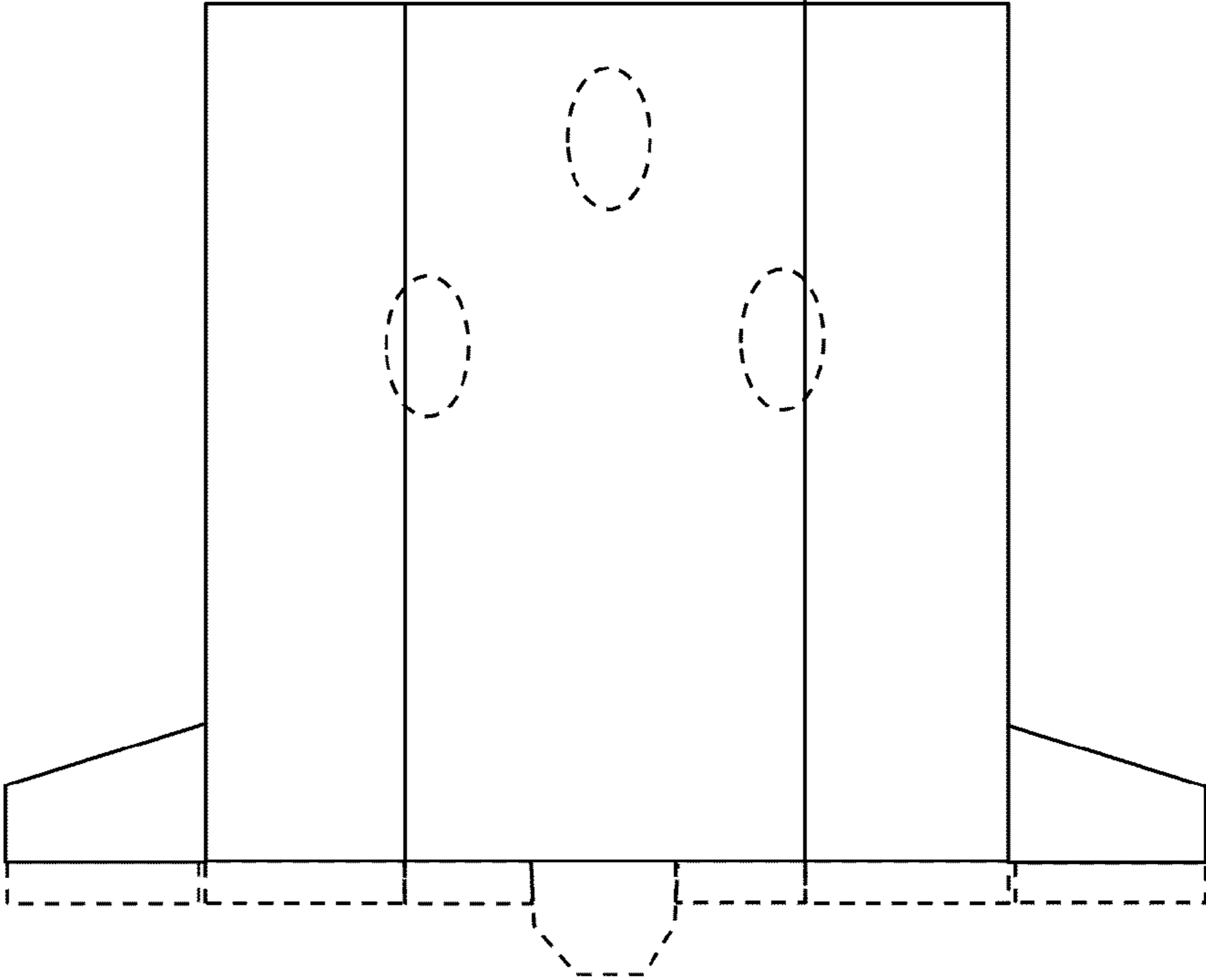


FIG. 6