



US00D697014S

(12) **United States Design Patent**
Stolz

(10) **Patent No.:** **US D697,014 S**
(45) **Date of Patent:** **** Jan. 7, 2014**

(54) **WHEEL OR WHEEL COVER**

(75) Inventor: **Gert Stolz**, Stuttgart (DE)

(73) Assignee: **Daimler AG**, Stuttgart (DE)

(**) Term: **14 Years**

(21) Appl. No.: **29/371,294**

(22) Filed: **Dec. 21, 2010**

(30) **Foreign Application Priority Data**

Jun. 22, 2010 (EM) 001722547-0001

(51) **LOC (10) Cl.** **12-16**

(52) **U.S. Cl.**
USPC **D12/211**

(58) **Field of Classification Search**
USPC D12/204-213; 301/37.101, 64.101, 65,
301/64.201
See application file for complete search history.

(56) **References Cited**

U.S. PATENT DOCUMENTS

D225,626 S * 12/1972 Davidson D12/209
D270,344 S * 8/1983 Cunard et al. D12/211
D352,492 S * 11/1994 Boyer D12/211

D416,850 S * 11/1999 Cohen et al. D12/211
D466,851 S * 12/2002 Pfeiffer et al. D12/211
D505,906 S * 6/2005 Pfeiffer D12/211
D520,931 S * 5/2006 Hieke D12/211
D535,604 S * 1/2007 Markefka D12/211
D543,923 S * 6/2007 Hieke D12/211
D556,113 S * 11/2007 Celik D12/211
D573,523 S * 7/2008 McMath D12/211
D593,022 S * 5/2009 Forster et al. D12/211
D604,684 S * 11/2009 Spoerle D12/211
D634,253 S * 3/2011 Johnson D12/211
D634,690 S * 3/2011 Wiesinger D12/211

* cited by examiner

Primary Examiner — Stacia Cadmus

(74) *Attorney, Agent, or Firm* — Crowell & Moring LLP

(57) **CLAIM**

The ornamental design for a wheel or wheel cover, as shown and described.

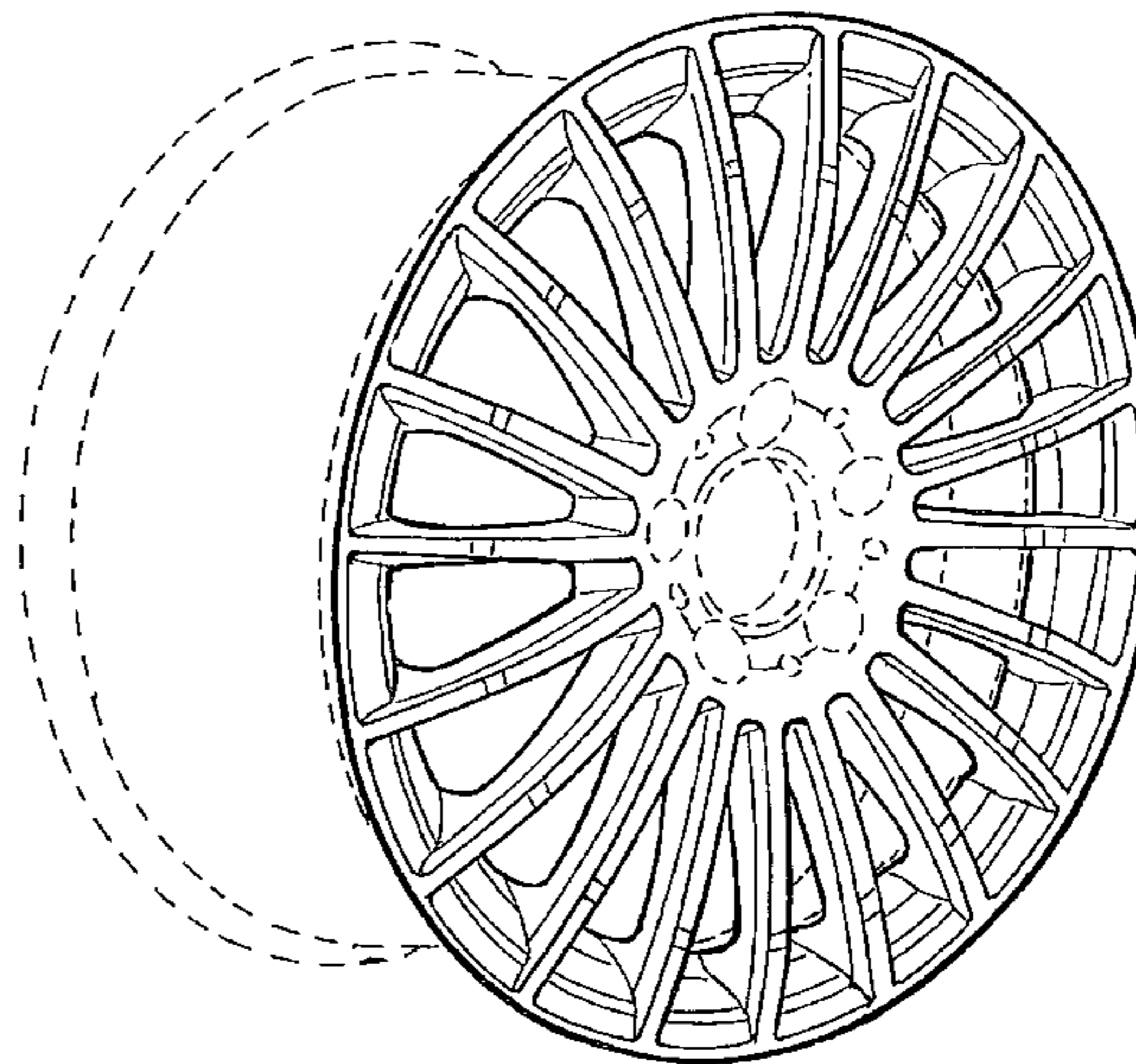
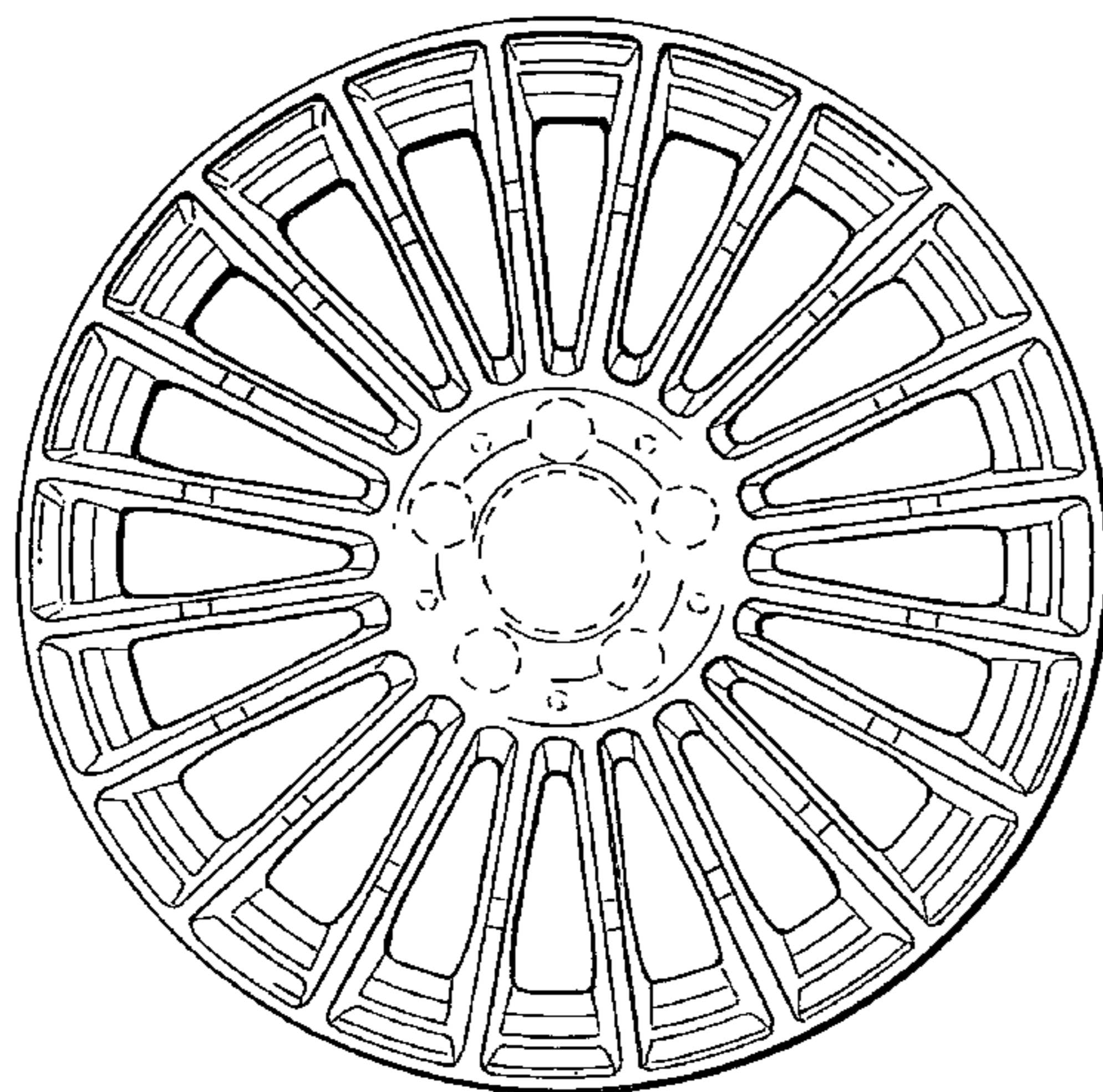
DESCRIPTION

FIG. 1 is a front view of a wheel or wheel cover according to my design; and,

FIG. 2 is a perspective view thereof.

The broken line showing of the rear of the wheel and the bolt holes and center opening in the central hub area is included for the purpose of illustrating environment and forms no part of the claimed design.

1 Claim, 1 Drawing Sheet



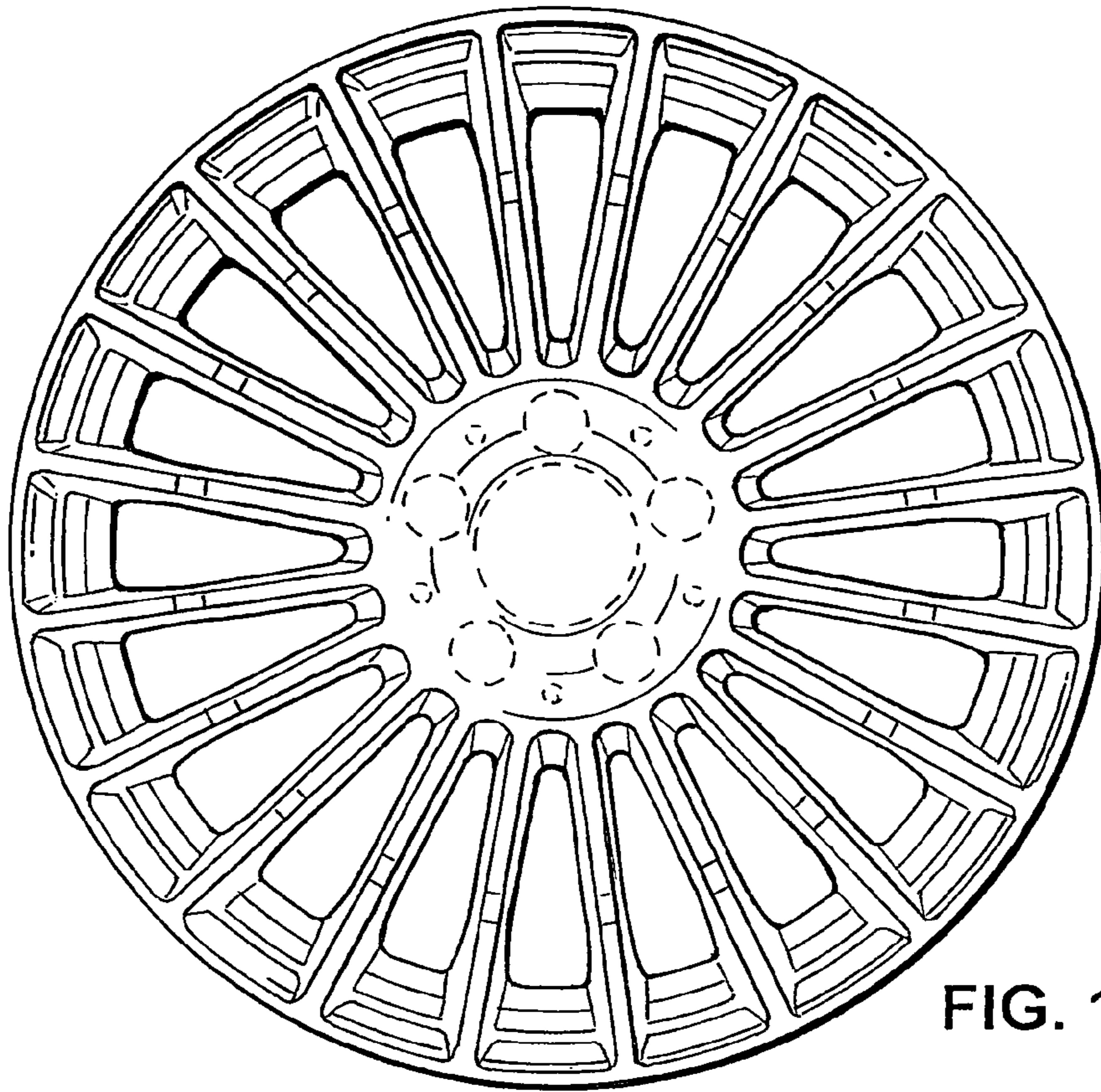


FIG. 1

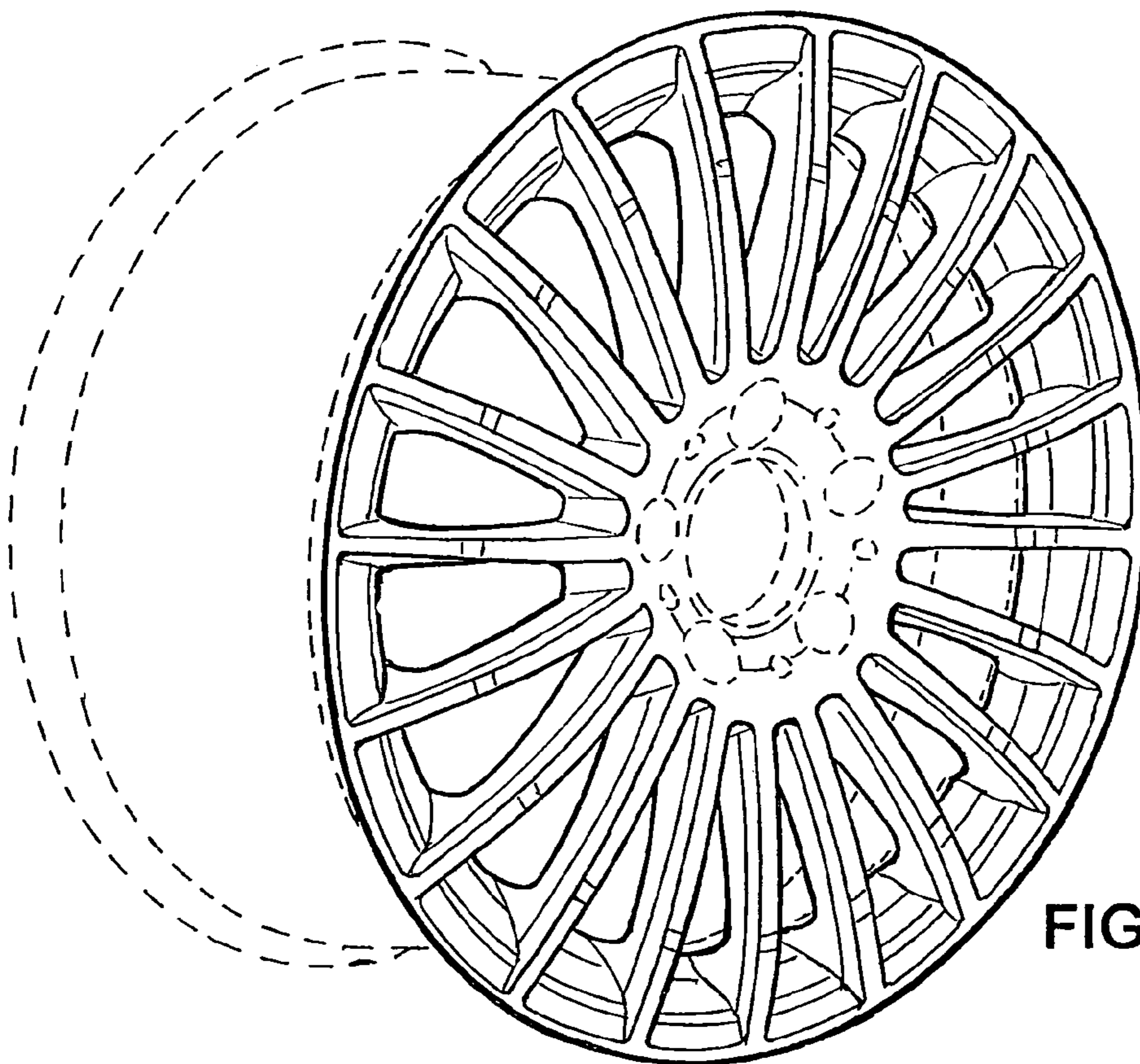


FIG. 2