



US00D697013S

(12) **United States Design Patent**
Nemeth

(10) **Patent No.:** **US D697,013 S**
(45) **Date of Patent:** **** Jan. 7, 2014**

(54) **WHEEL OR WHEEL COVER**

(75) Inventor: **Gabriel Nemeth**, Stuttgart (DE)

(73) Assignee: **Daimler AG**, Stuttgart (DE)

(**) Term: **14 Years**

(21) Appl. No.: **29/371,293**

(22) Filed: **Dec. 21, 2010**

(30) **Foreign Application Priority Data**

Jun. 22, 2010 (EM) 001722547-0002

(51) **LOC (10) Cl.** **12-16**

(52) **U.S. Cl.**
USPC **D12/211**

(58) **Field of Classification Search**
USPC D12/204-213; 301/37.101, 64.101, 65,
301/64.201

See application file for complete search history.

(56) **References Cited**

U.S. PATENT DOCUMENTS

D444,119 S * 6/2001 Brintouch D12/211
D451,467 S * 12/2001 Chung D12/211
D473,836 S * 4/2003 Laengerer D12/211

D504,647 S * 5/2005 Leclercq D12/209
D506,967 S * 7/2005 Kamimura D12/211
D507,224 S * 7/2005 Pfeiffer D12/211
D520,434 S * 5/2006 Fahr-Becker D12/211
D521,922 S * 5/2006 Scheu D12/211
D522,430 S * 6/2006 Nordmann D12/209
D528,962 S * 9/2006 Blasi D12/211
D593,020 S * 5/2009 Blasi D12/211
D617,251 S * 6/2010 Zhao D12/211
D668,198 S * 10/2012 Platto et al. D12/211

* cited by examiner

Primary Examiner — Stacia Cadmus

(74) *Attorney, Agent, or Firm* — Crowell & Moring LLP

(57) **CLAIM**

The ornamental design for a wheel or wheel cover, as shown and described.

DESCRIPTION

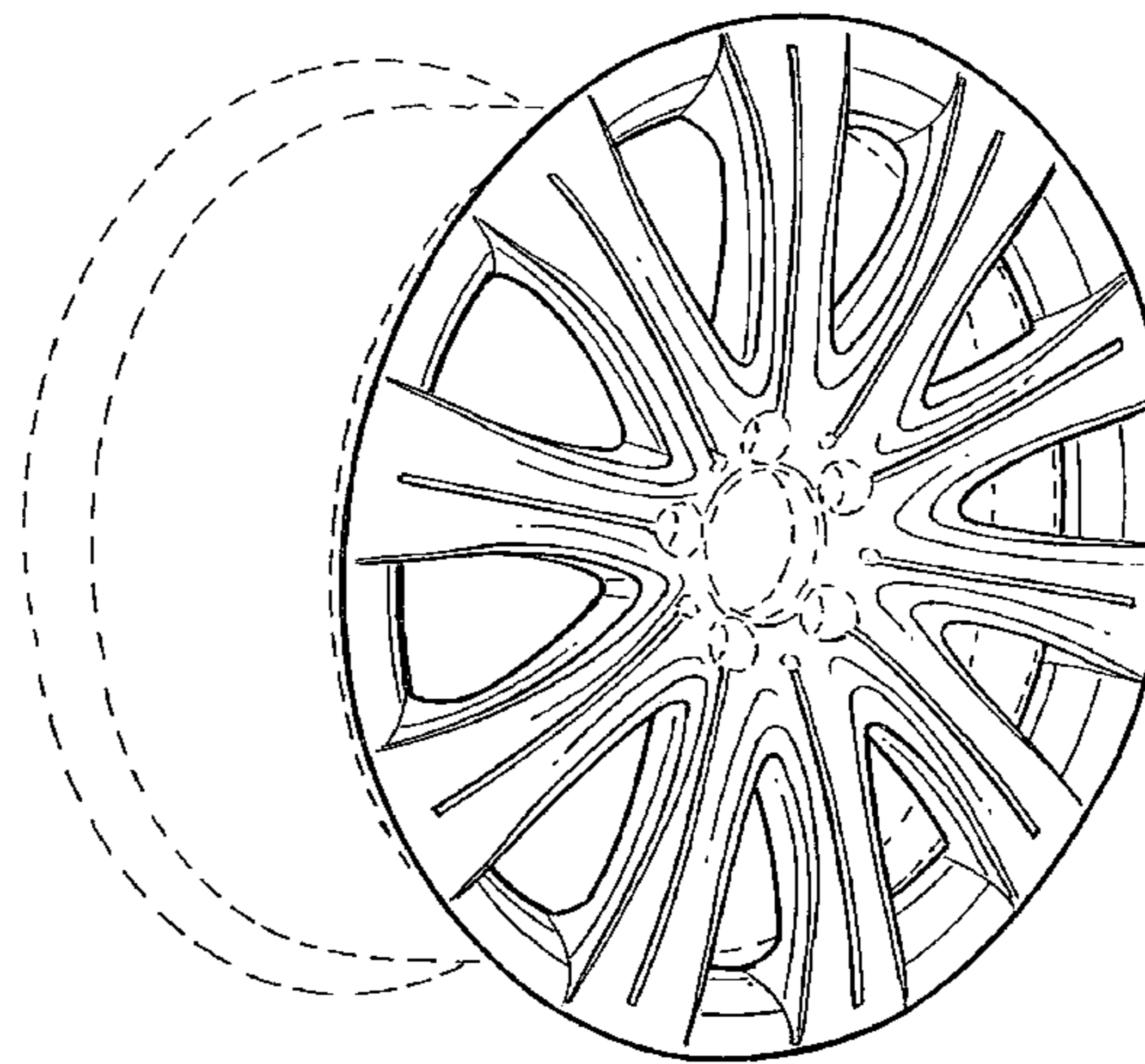
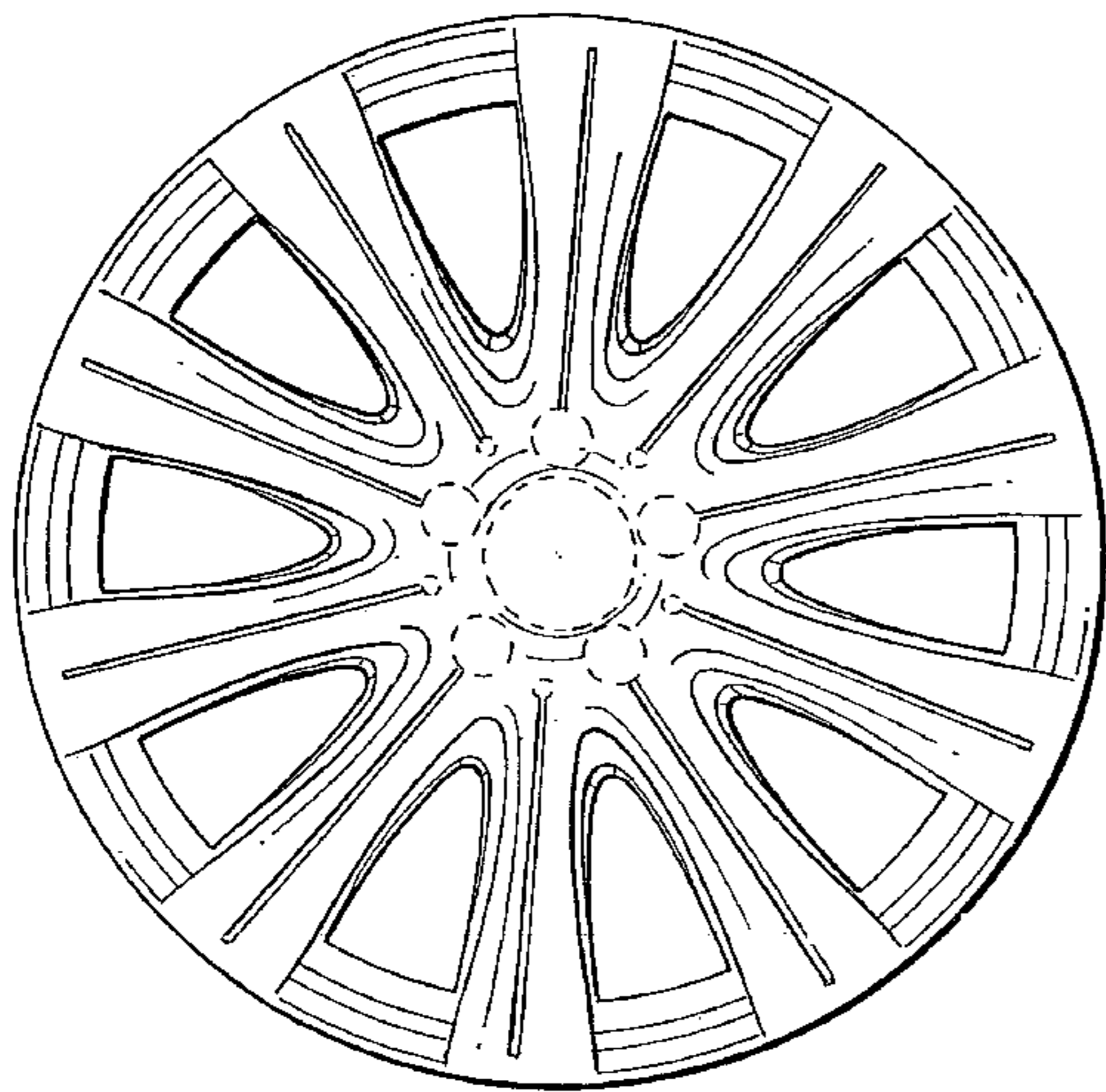
FIG. 1 is a front view of a wheel or wheel cover according to my design; and,

FIG. 2 is a perspective view thereof.

The broken line showing of the rear of the wheel and the bolt holes and center opening in the central hub area is included for the purpose of illustrating environment and forms no part of the claimed design.

The broken lines are for illustrative purposes only and form no part of the claimed design.

1 Claim, 1 Drawing Sheet



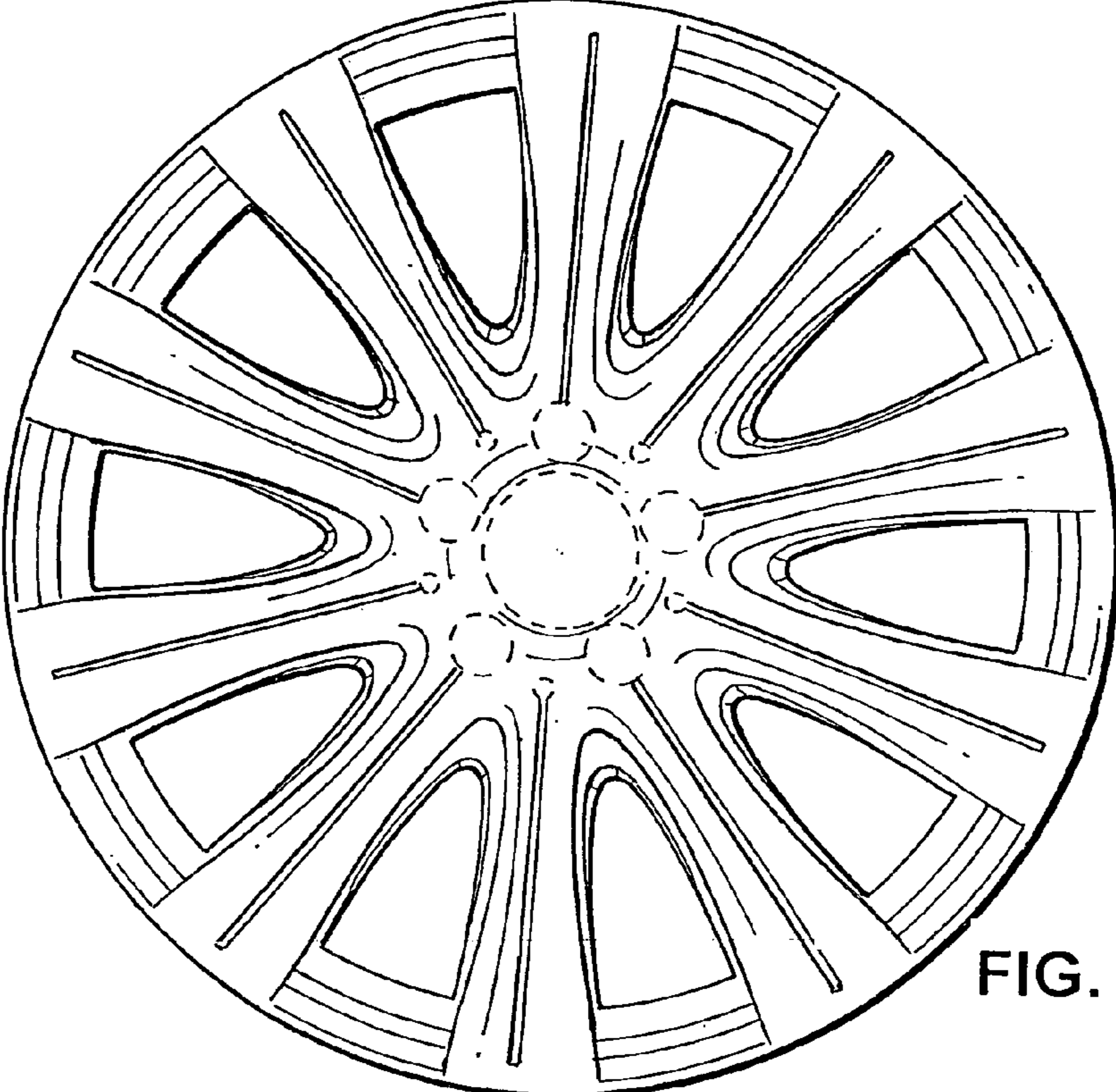


FIG. 1

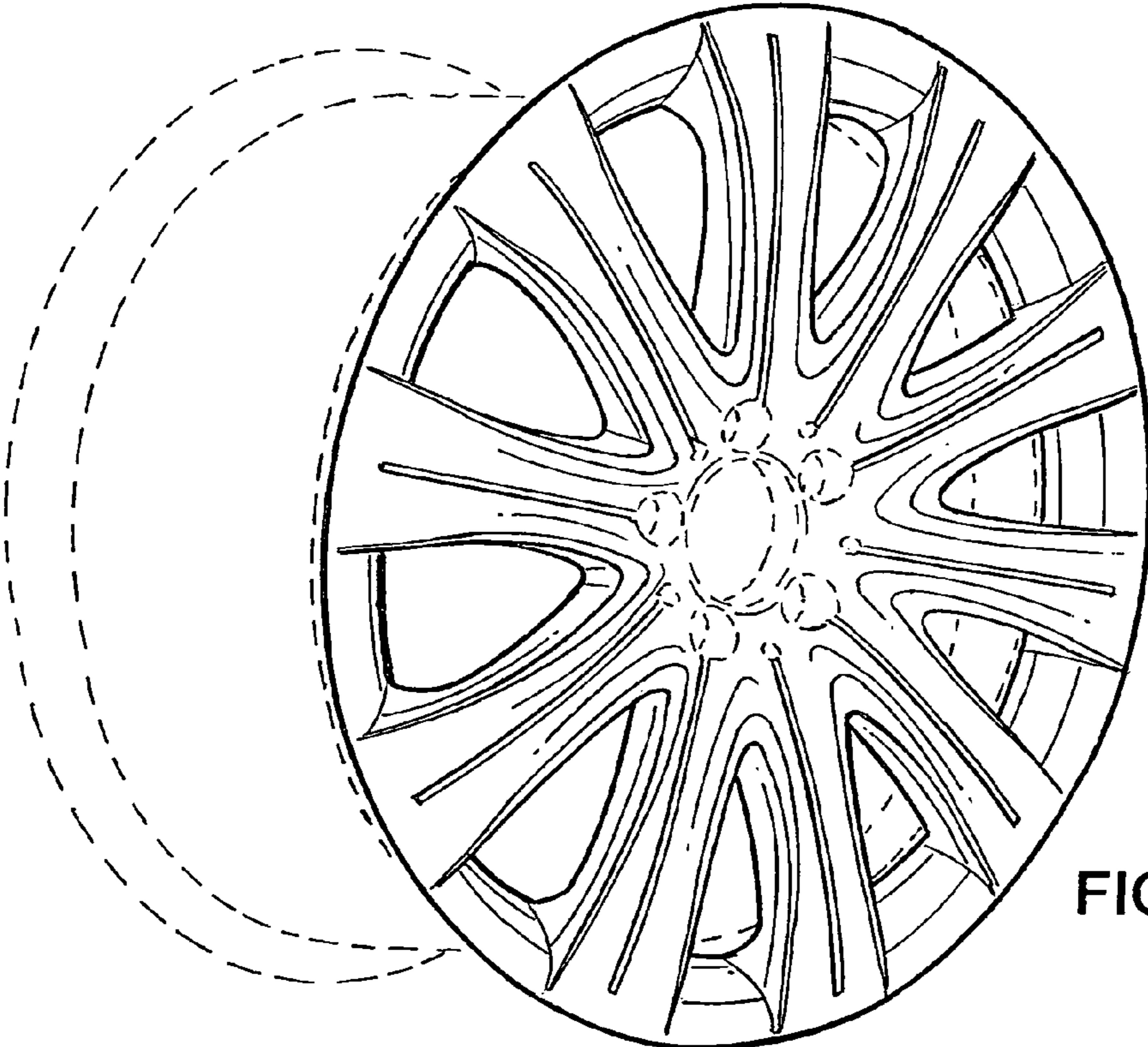


FIG. 2