



US00D697010S

(12) **United States Design Patent**
Lorinser

(10) **Patent No.:** **US D697,010 S**
(45) **Date of Patent:** **** Jan. 7, 2014**

(54) **WHEEL**

(71) Applicant: **Sport-Service-Lorinser Sportliche Autoausrüstung GmbH**, Waiblingen (DE)

(72) Inventor: **Marcus Lorinser**, Waiblingen (DE)

(73) Assignee: **Sport-Service-Lorinser Sportliche Autoausrüstung GmbH**, Waiblingen (DE)

(**) Term: **14 Years**

(21) Appl. No.: **29/450,444**

(22) Filed: **Mar. 18, 2013**

(30) **Foreign Application Priority Data**

Oct. 31, 2012 (DE) 40 2012 100 962

(51) **LOC (10) Cl.** **12-16**

(52) **U.S. Cl.**
USPC **D12/209**

(58) **Field of Classification Search**
USPC D12/204-213; 301/37.101, 64.101, 65, 301/64.201

See application file for complete search history.

(56) **References Cited**

U.S. PATENT DOCUMENTS

D420,637 S *	2/2000	Glade	D12/209
D504,098 S *	4/2005	Gallert	D12/209
D570,758 S *	6/2008	Bhambra	D12/209
D608,714 S *	1/2010	Bucher et al.	D12/209
D619,070 S *	7/2010	Pollmann	D12/209
D644,588 S *	9/2011	Schweizer	D12/211
D649,923 S *	12/2011	Hans et al.	D12/211
D651,956 S *	1/2012	Ectors et al.	D12/209

* cited by examiner

Primary Examiner — Stacia Cadmus

(74) *Attorney, Agent, or Firm* — McGlew and Tuttle, P.C.

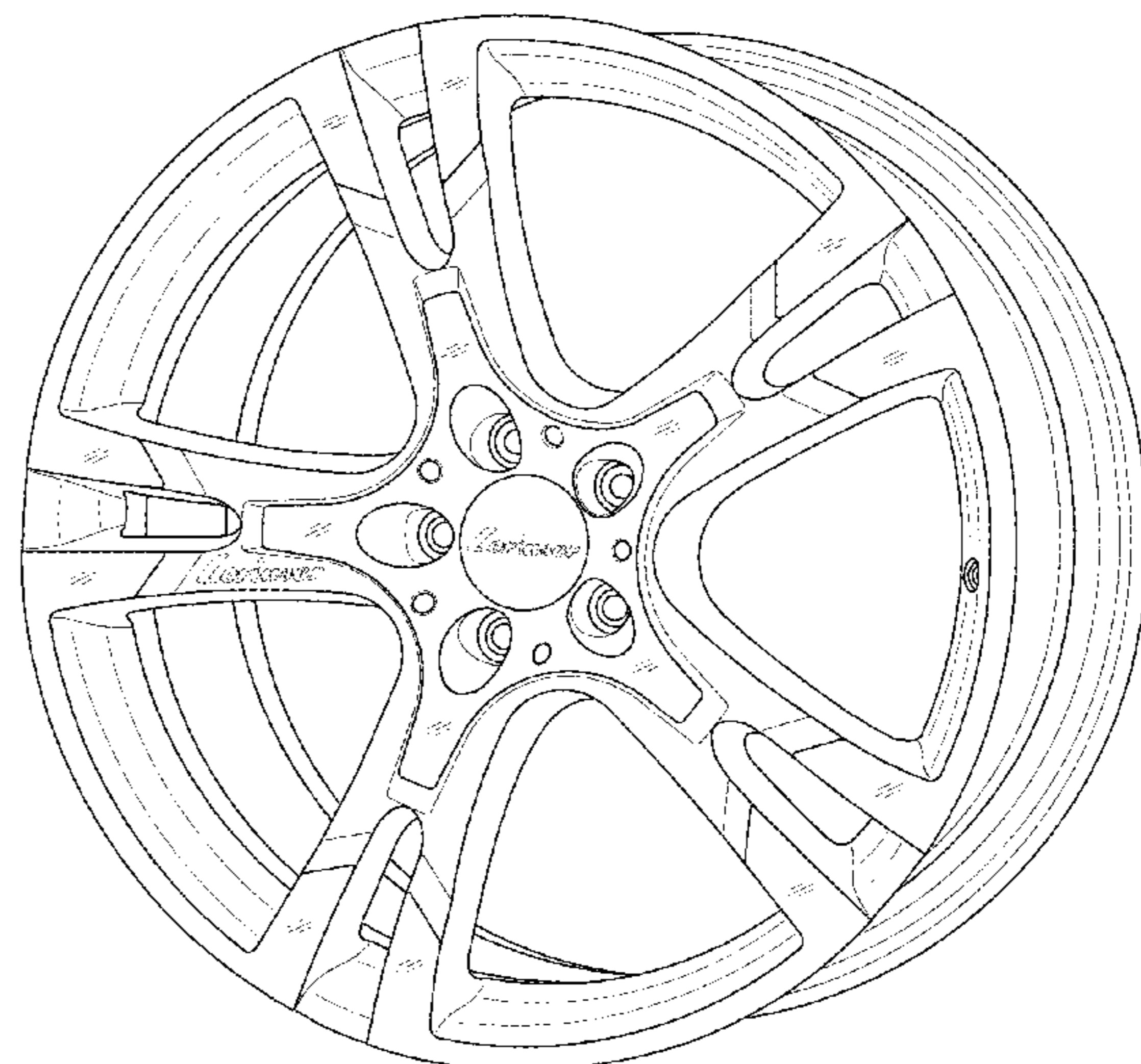
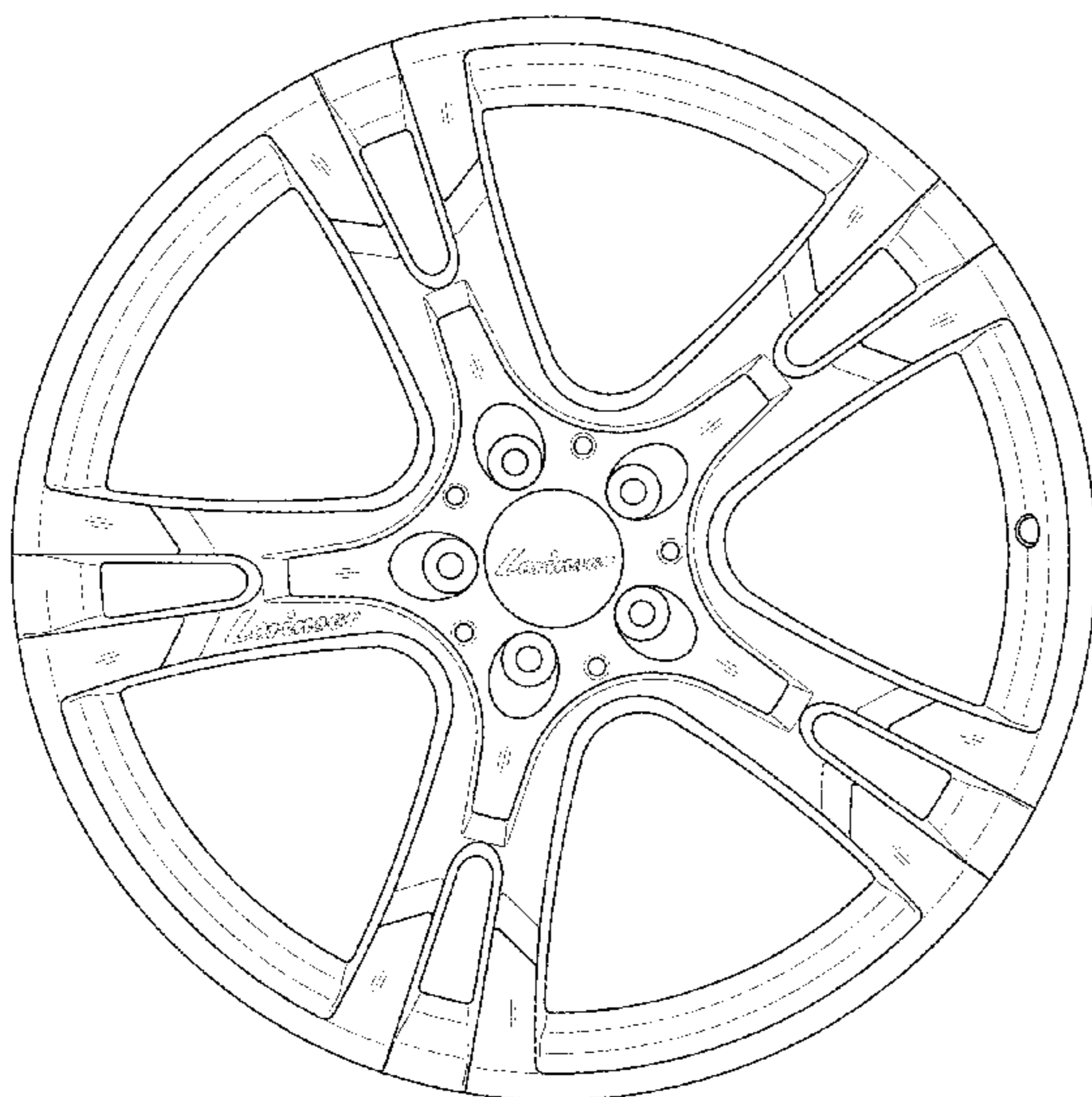
(57) **CLAIM**

The ornamental design for a wheel, as shown and described.

DESCRIPTION

FIG. 1 is a front view of my wheel design, the trademarks Lorinser, not being a part of the design; FIG. 2 is a right perspective view thereof; FIG. 3 is a right perspective view thereof, shown at an angle with respect to the view FIG. 2; FIG. 4 is a left perspective view thereof; FIG. 5 is a left perspective view thereof, shown at an angle with respect to the view of FIG. 4; and, FIG. 6 is a left perspective view thereof, shown at an angle with respect to the view of FIGS. 4 and 5. The broken line showing of the trademarks Lorinser is included for the purpose of illustrating environment and forms no part of the claimed design.

1 Claim, 6 Drawing Sheets



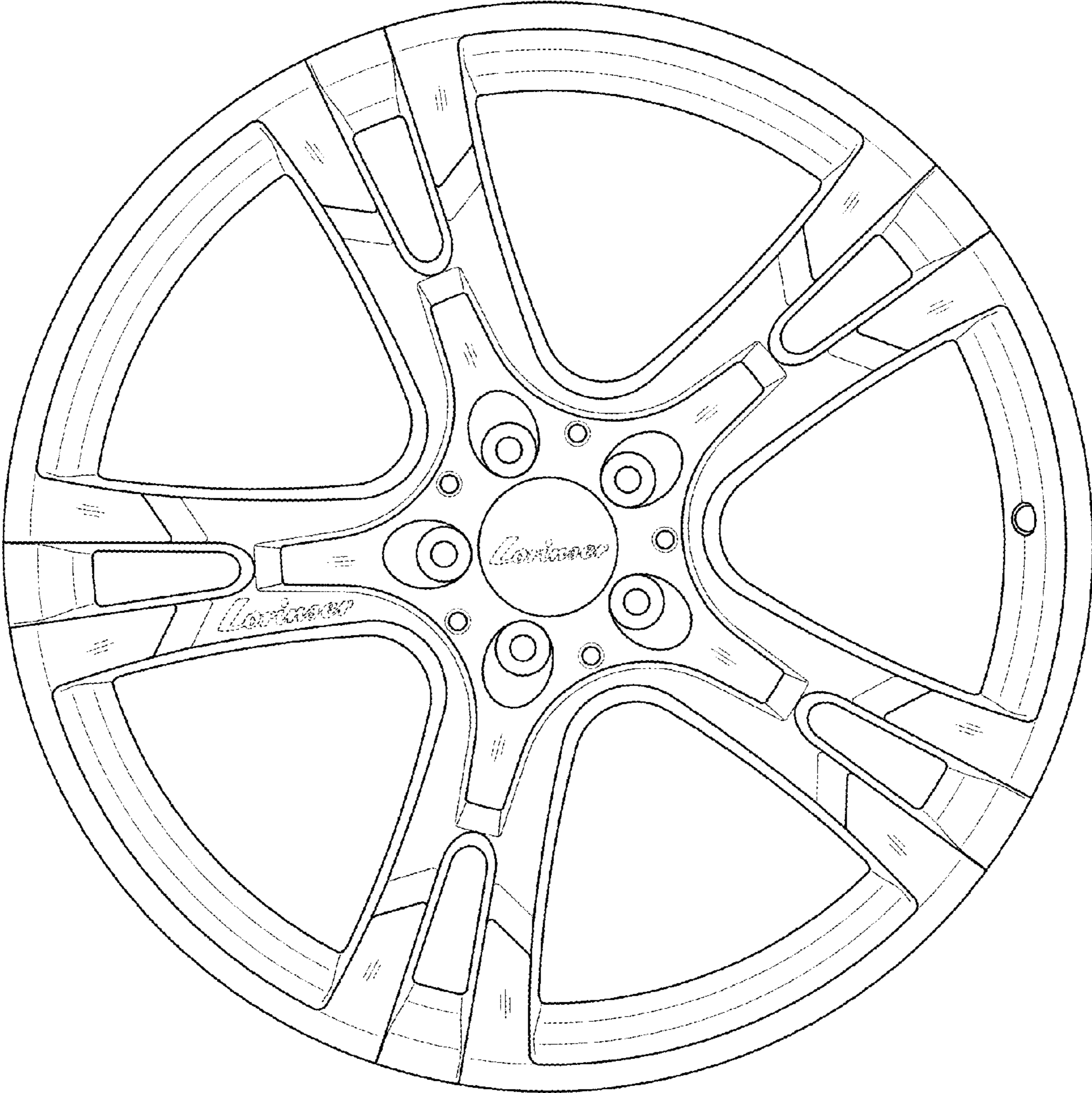


Fig. 1

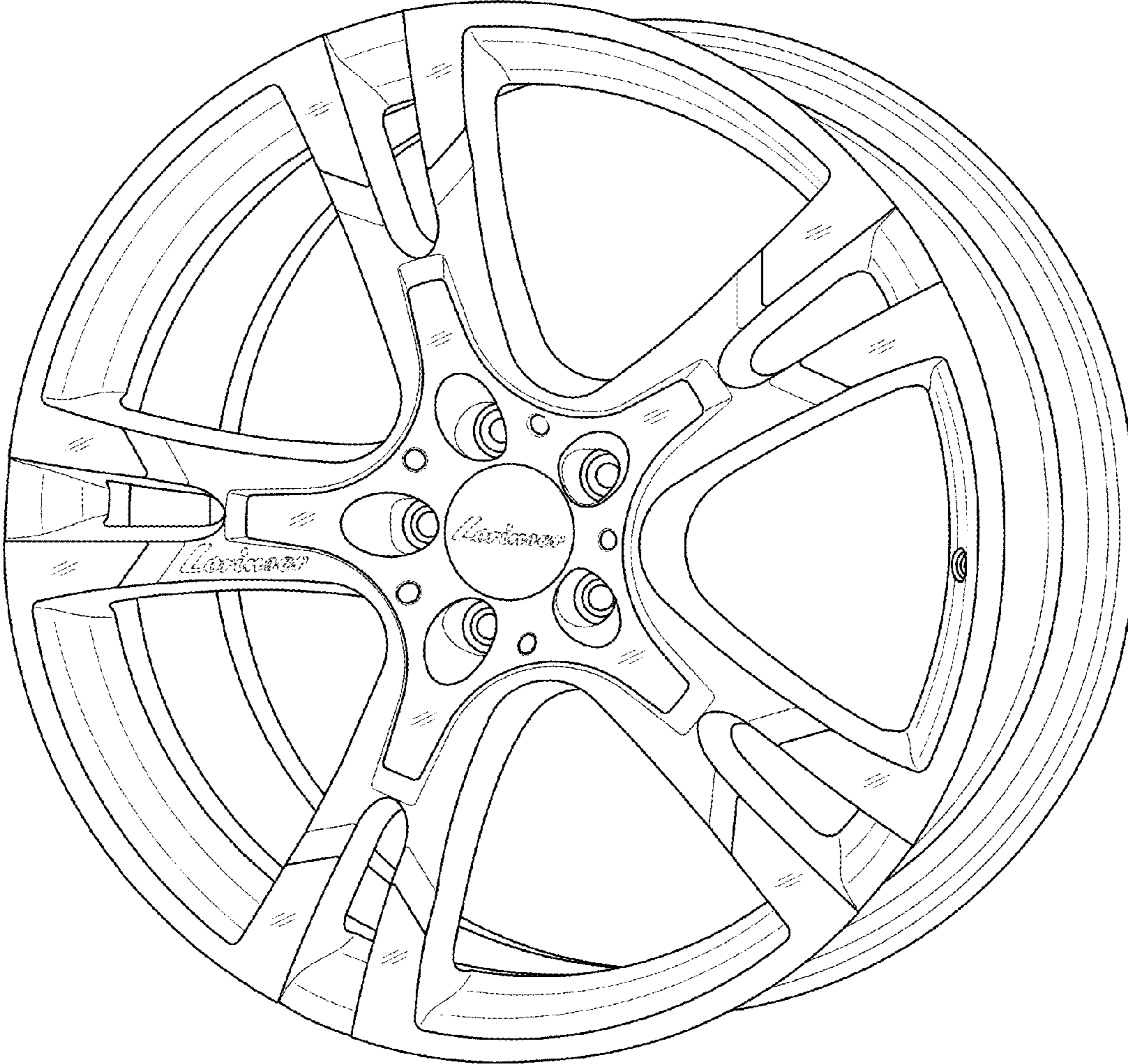


Fig. 2

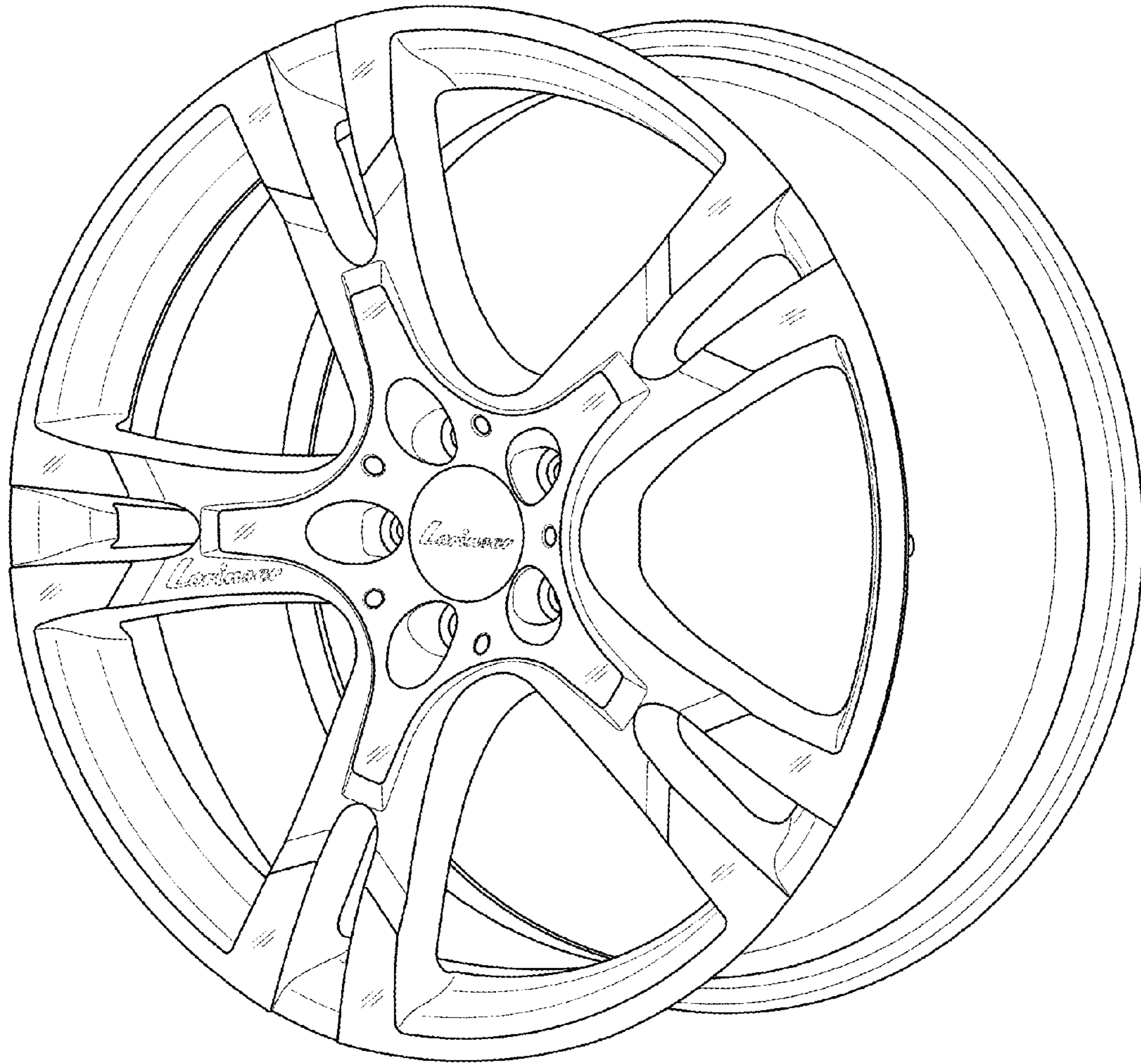


Fig. 3

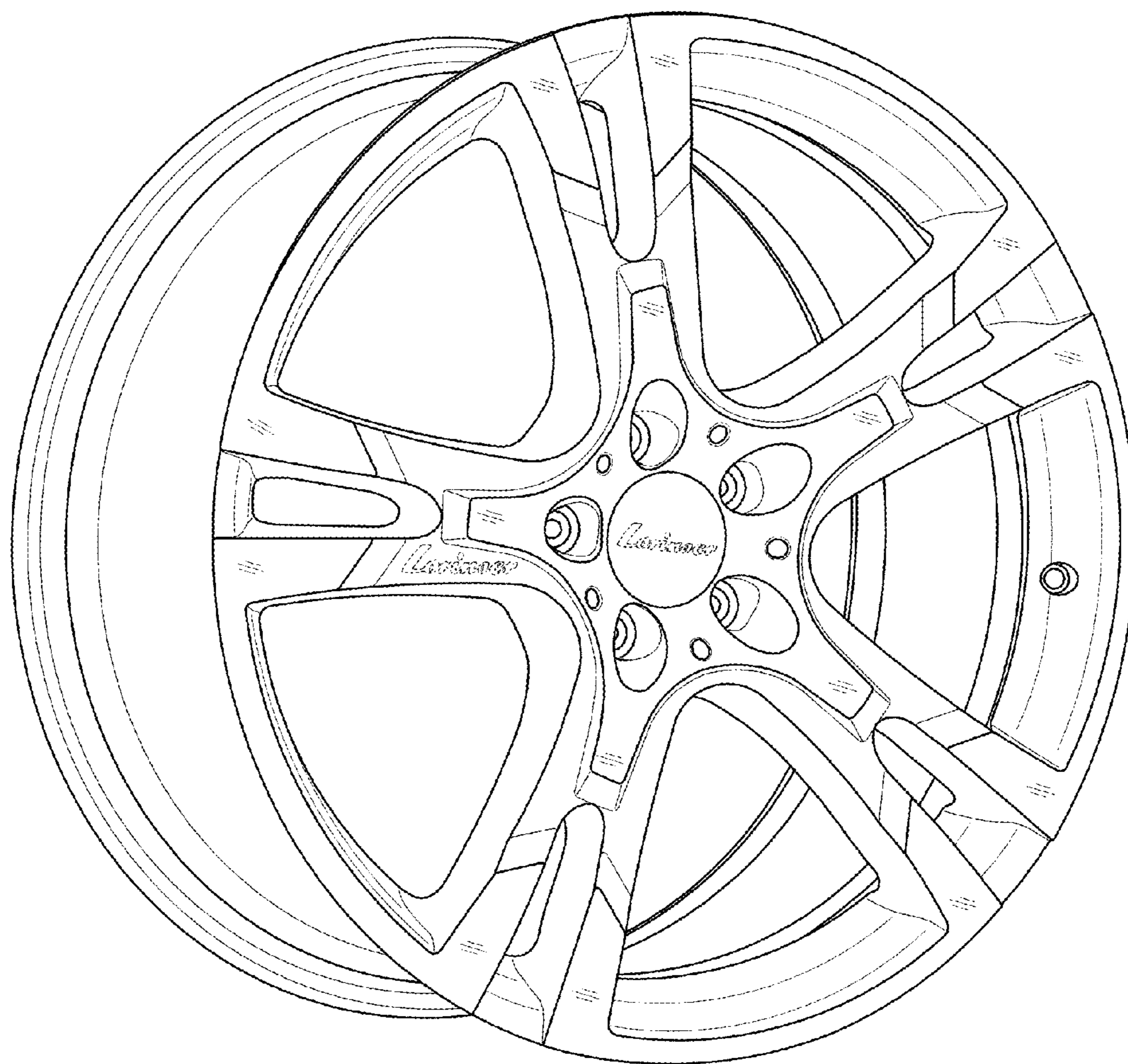


Fig. 4

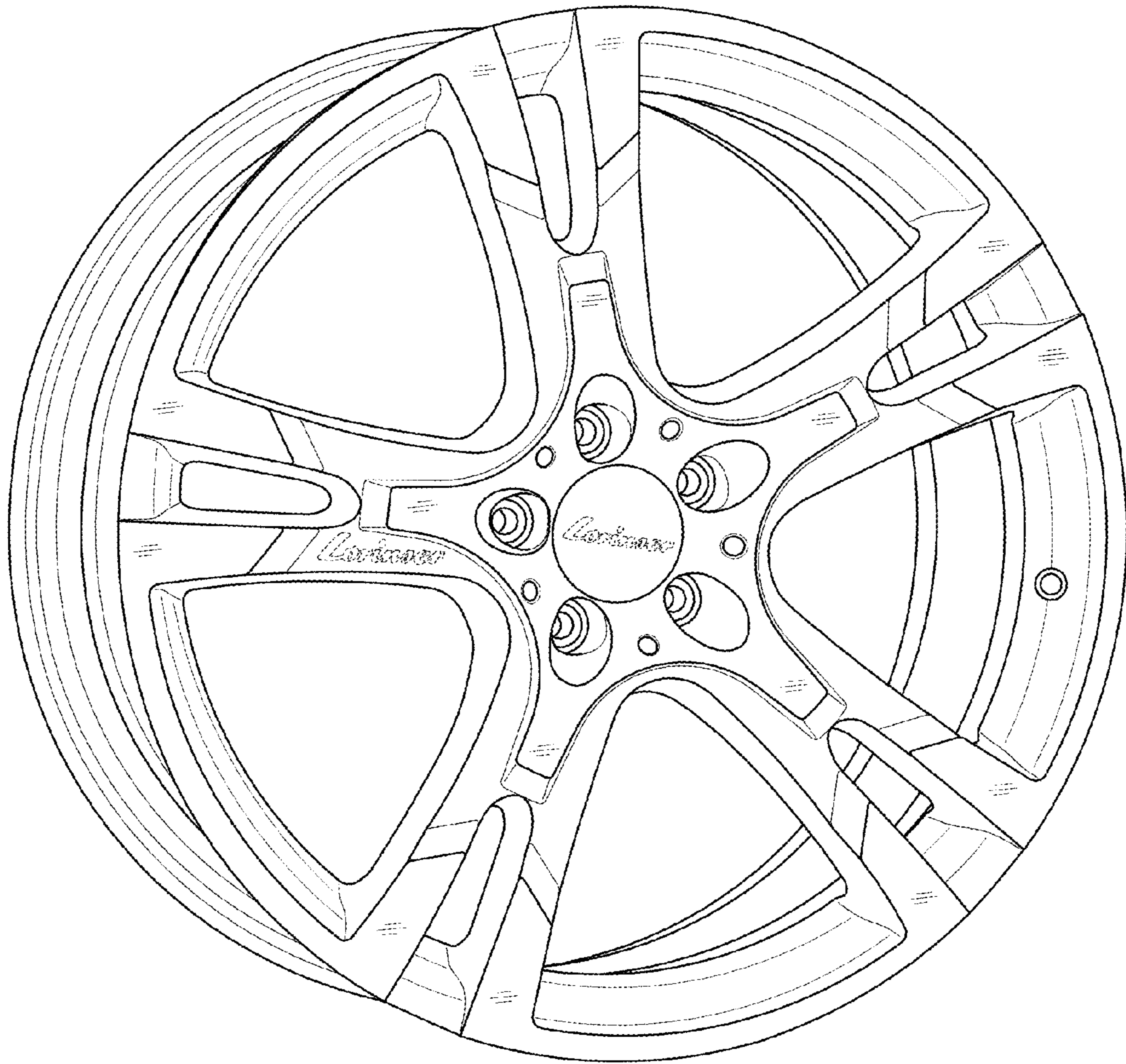


Fig. 5

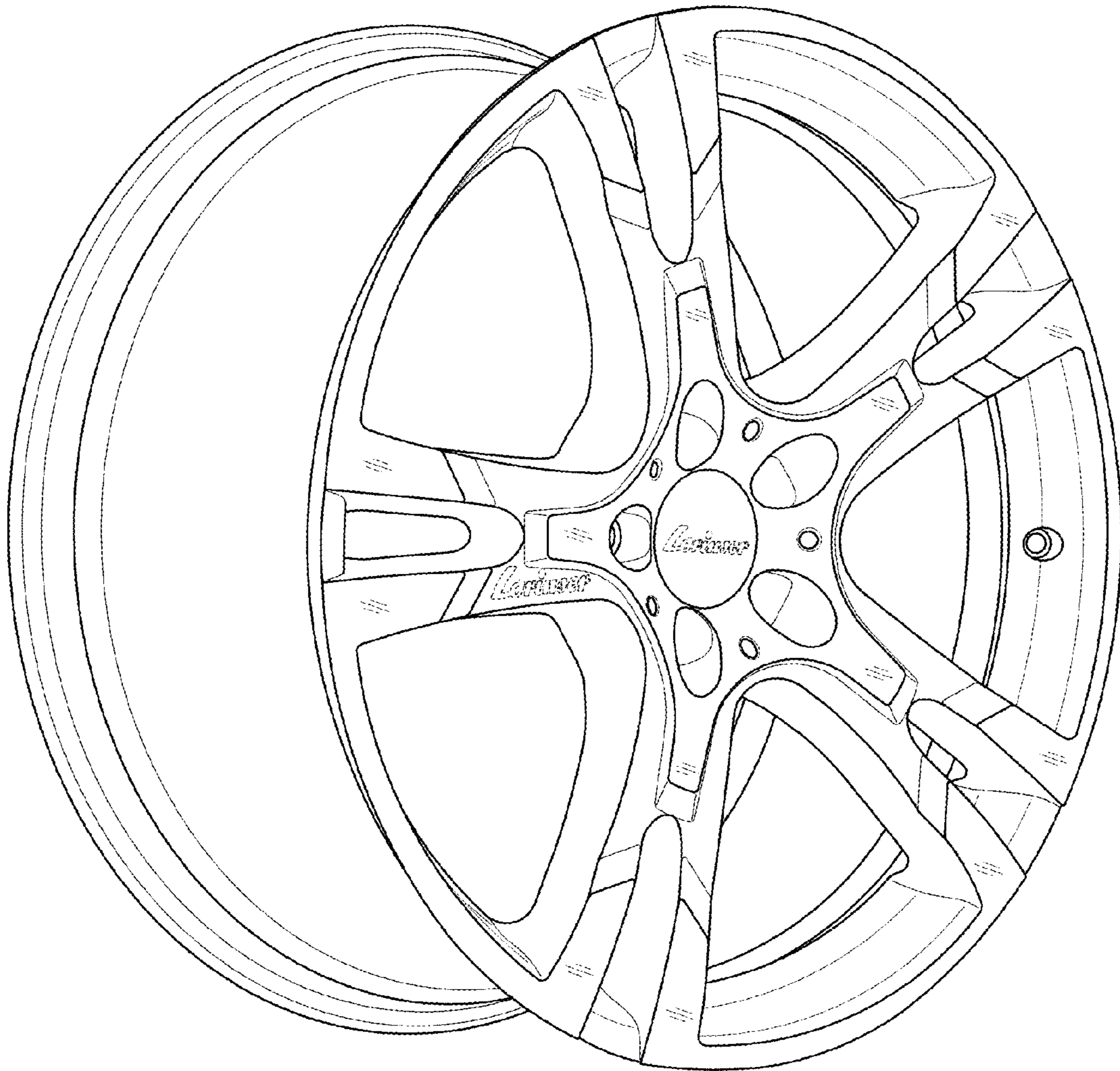


Fig. 6