



US00D697002S

(12) **United States Design Patent**  
**Tanevski**

(10) **Patent No.:** **US D697,002 S**  
(45) **Date of Patent:** **\*\* Jan. 7, 2014**

(54) **WHEEL OR WHEEL COVER**

(75) Inventor: **Slavche Tanevski**, Stuttgart (DE)

(73) Assignee: **Daimler AG**, Stuttgart (DE)

(\*\*) Term: **14 Years**

(21) Appl. No.: **29/371,292**

(22) Filed: **Dec. 21, 2010**

(30) **Foreign Application Priority Data**

Jun. 22, 2010 (EM) ..... 001722547-0003

(51) **LOC (10) CL.** ..... **12-16**

(52) **U.S. CL.**  
USPC ..... **D12/209**

(58) **Field of Classification Search**  
USPC ..... D12/204-213; 301/37.101, 64.101, 65,  
301/64.201  
See application file for complete search history.

(56) **References Cited**

**U.S. PATENT DOCUMENTS**

D608,710 S \* 1/2010 Nissl ..... D12/209  
D616,800 S \* 6/2010 Zhao ..... D12/209

D641,678 S \* 7/2011 Elmitt ..... D12/209  
D644,976 S \* 9/2011 Nissl ..... D12/209  
D648,254 S \* 11/2011 Barry ..... D12/209  
D651,956 S \* 1/2012 Ectors et al. .... D12/209  
D660,771 S \* 5/2012 Mueller-Stolz ..... D12/211  
D663,669 S \* 7/2012 Baum ..... D12/209  
D664,081 S \* 7/2012 Muller ..... D12/209  
D671,057 S \* 11/2012 Tanevski et al. .... D12/209

\* cited by examiner

*Primary Examiner* — Stacia Cadmus

(74) *Attorney, Agent, or Firm* — Crowell & Moring LLP

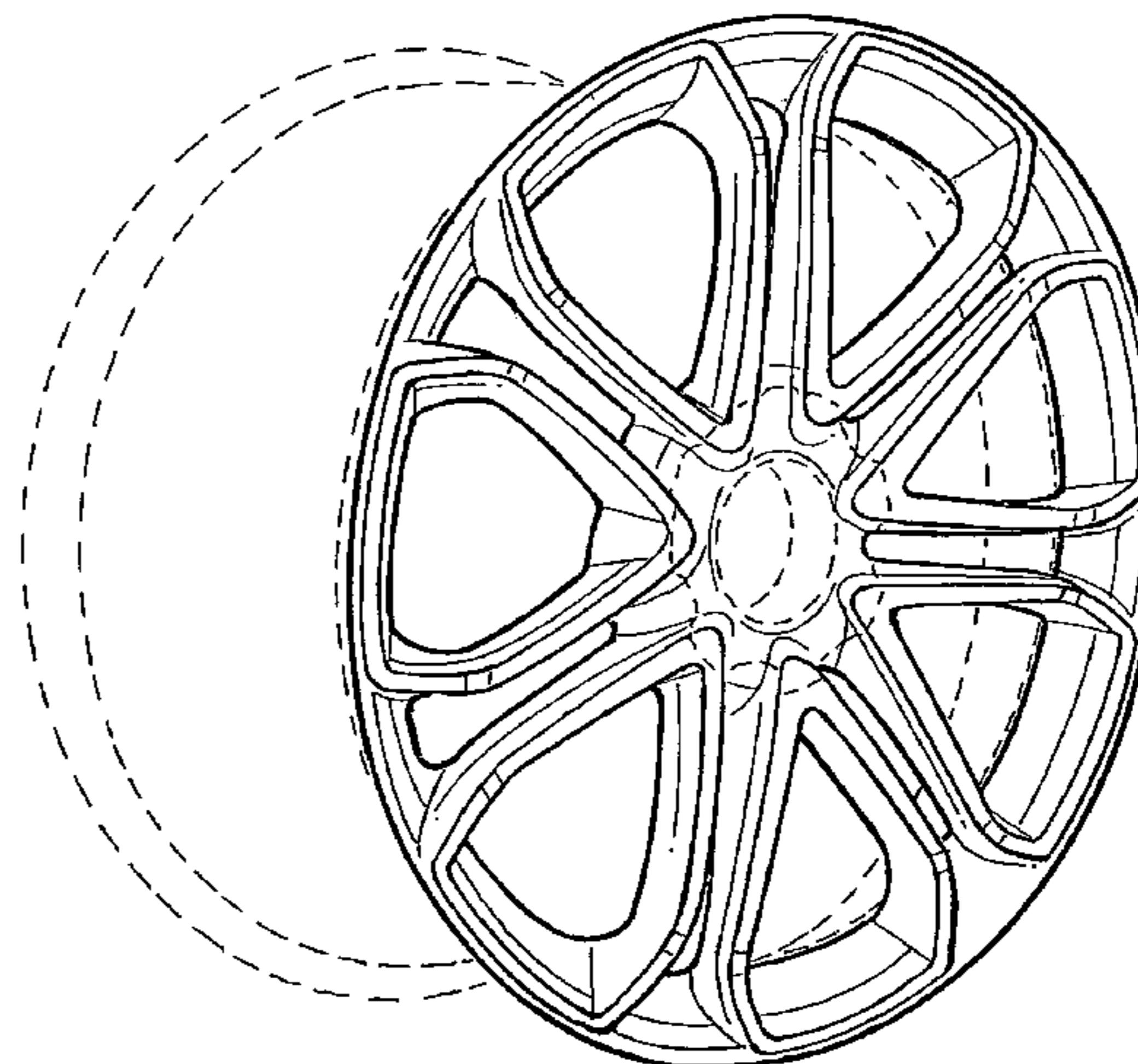
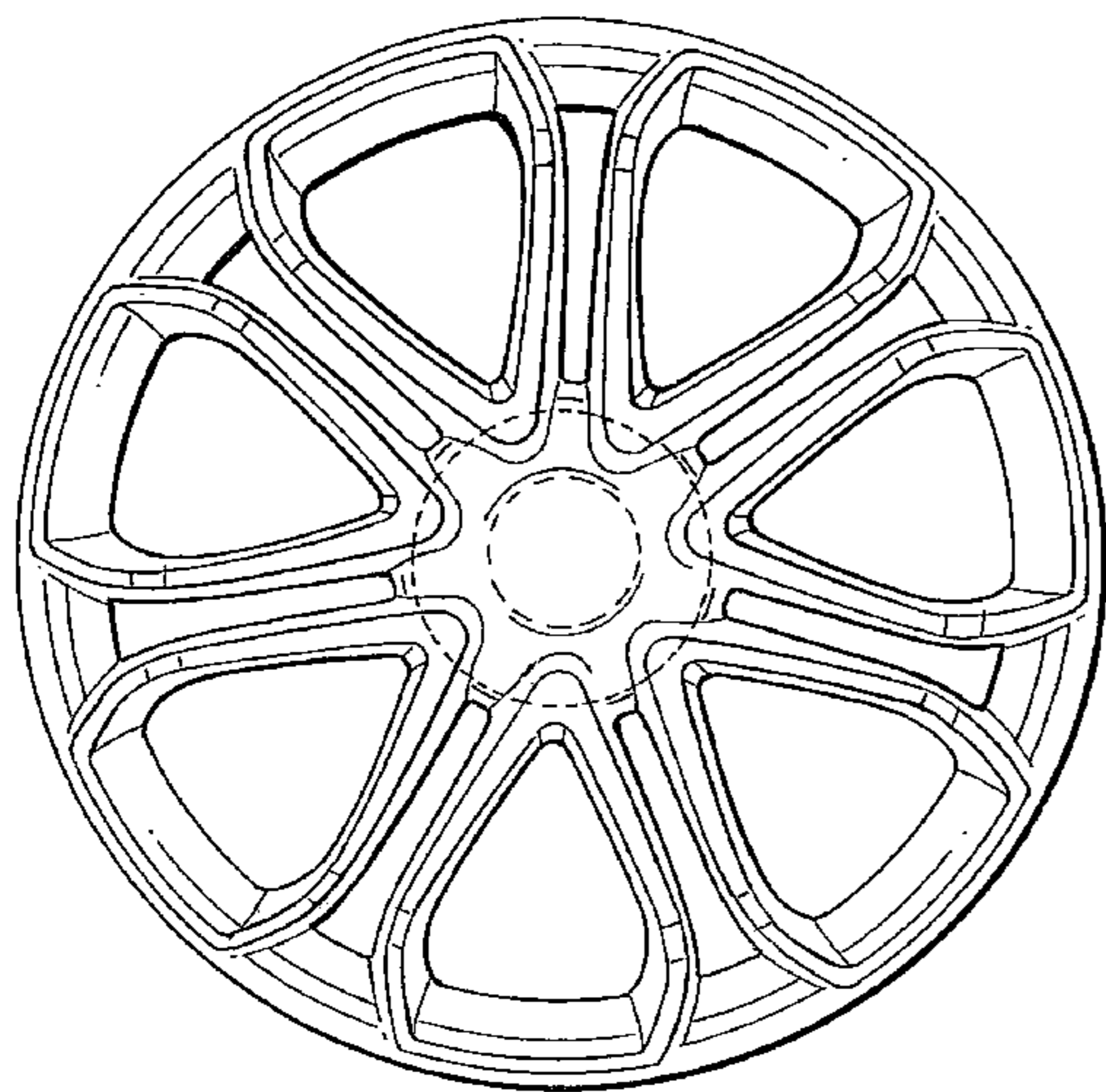
(57) **CLAIM**

The ornamental design for a wheel or wheel cover, as shown and described.

**DESCRIPTION**

FIG. 1 is a front view of a wheel or wheel cover according to my design; and,  
FIG. 2 is a perspective view thereof.  
The broken line showing of the rear of the wheel and on the central hub area is included for the purpose of illustrating environment and forms no part of the claimed design.

**1 Claim, 1 Drawing Sheet**



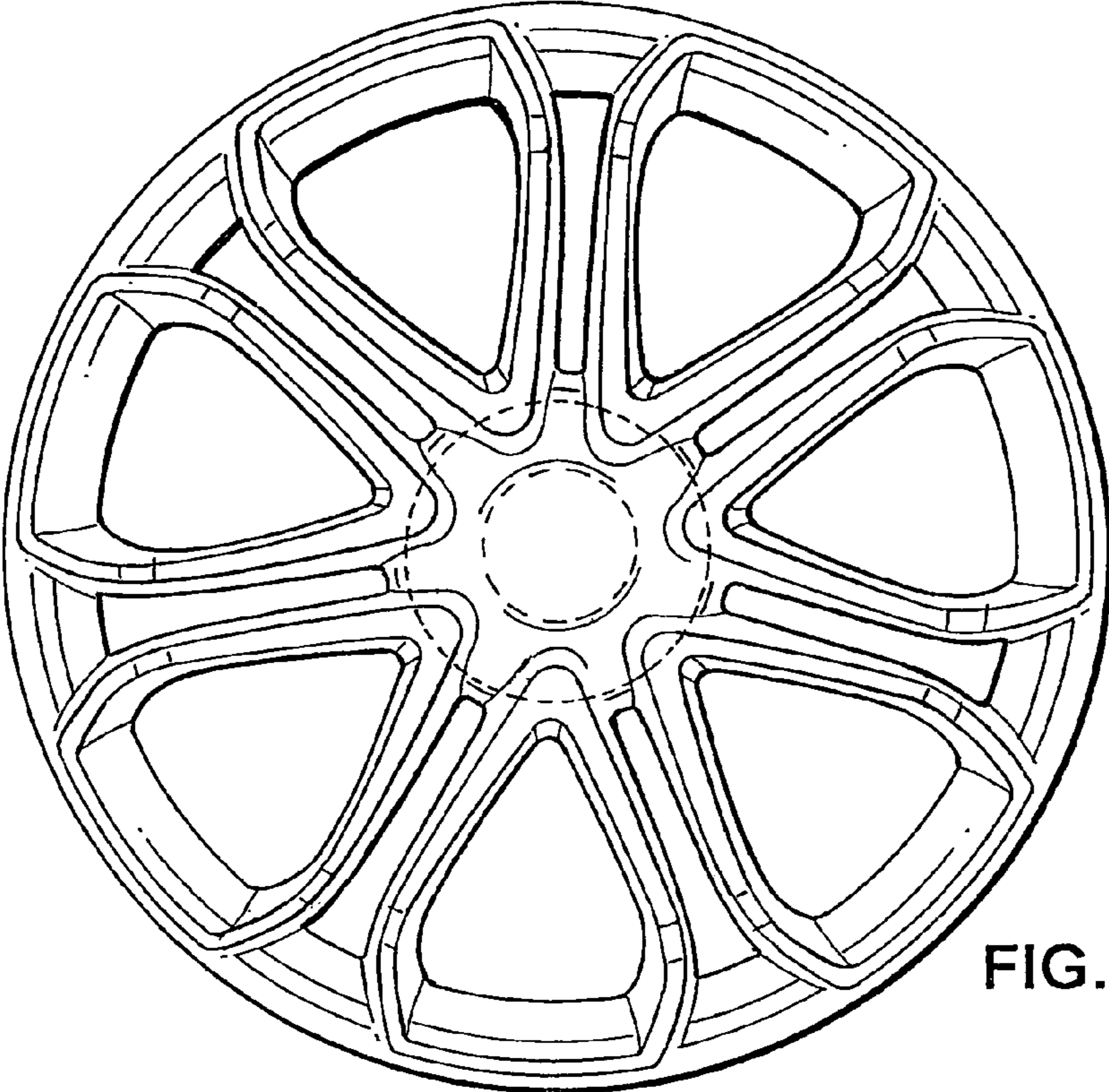


FIG. 1

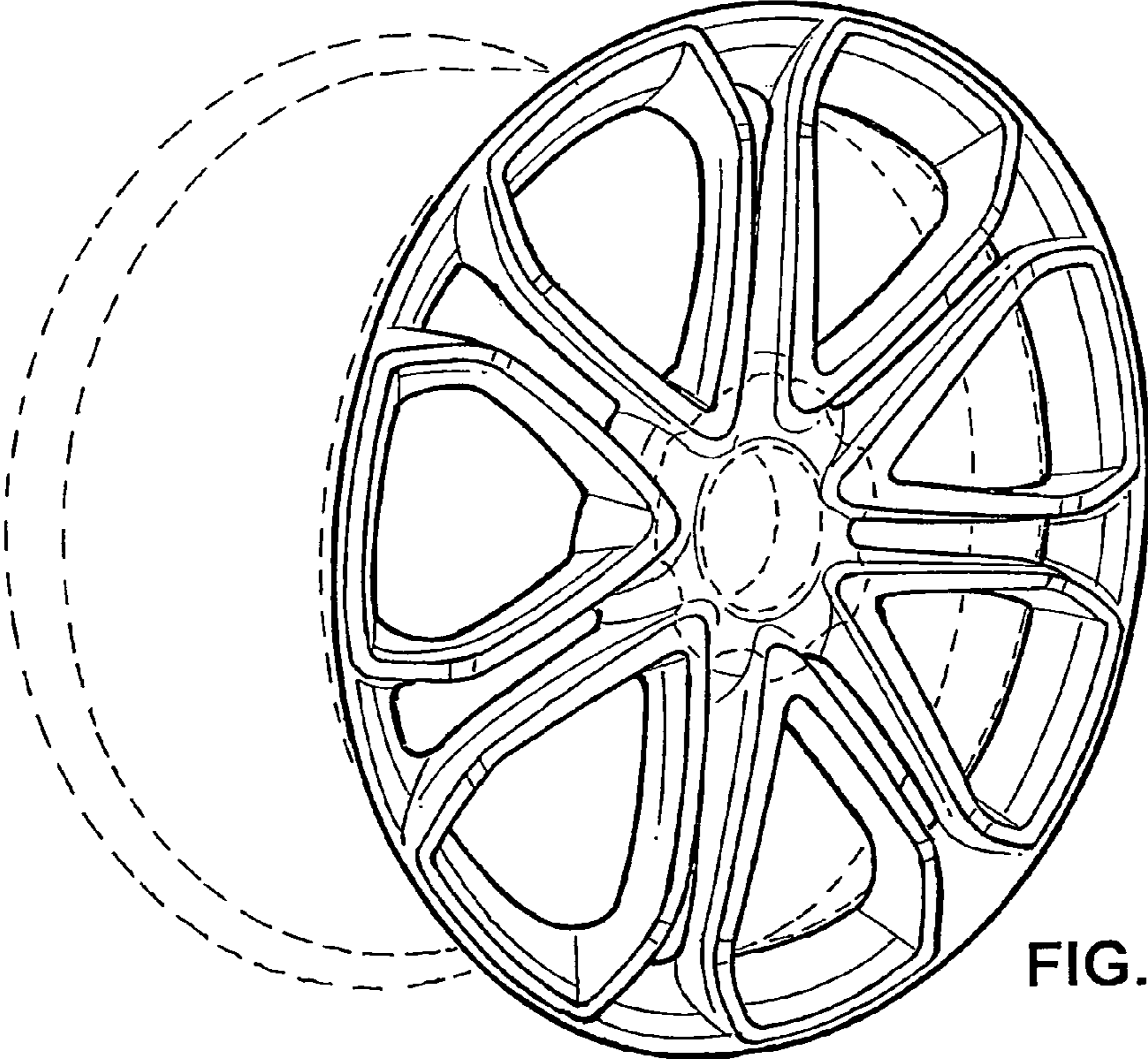


FIG. 2