

US00D696997S

(12) **United States Design Patent**  
**Higashikawa**

(10) **Patent No.:** **US D696,997 S**  
(45) **Date of Patent:** **\*\* Jan. 7, 2014**

(54) **INSTRUMENT PANEL FOR TRANSPORT VEHICLE**

(71) Applicant: **Kubota Corporation**, Osaka (JP)  
(72) Inventor: **Yoshitaka Higashikawa**, Sakai (JP)  
(73) Assignee: **Kubota Corporation**, Osaka (JP)  
(\*\*) Term: **14 Years**

(21) Appl. No.: **29/450,627**

(22) Filed: **Mar. 20, 2013**

(30) **Foreign Application Priority Data**

Sep. 28, 2012 (JP) ..... 2012-023745

(51) **LOC (10) Cl.** ..... **12-16**

(52) **U.S. Cl.**  
USPC ..... **D12/192**

(58) **Field of Classification Search**  
USPC ..... D12/192, 415, 110, 114; 180/90;  
280/750-752; 296/190.01-190.09,  
296/191, 70; D15/17, 28; D10/46, 98,  
D10/102-103, 122-127

See application file for complete search history.

(56) **References Cited**

U.S. PATENT DOCUMENTS

D413,095	S	*	8/1999	Abalos et al. ....	D12/192
D470,807	S	*	2/2003	Wyszogrod et al. ....	D12/192
D519,893	S	*	5/2006	Kabayama et al. ....	D12/192
D549,628	S	*	8/2007	Esaki et al. ....	D12/192
D567,162	S	*	4/2008	Motozaki et al. ....	D12/192
D567,727	S	*	4/2008	Kawaguchi et al. ....	D12/192
D577,640	S	*	9/2008	Wyszogrod et al. ....	D12/192
D604,217	S	*	11/2009	Kabayama ....	D12/192
D653,185	S	*	1/2012	Senda et al. ....	D12/192
D656,074	S	*	3/2012	Ohmori et al. ....	D12/192

\* cited by examiner

*Primary Examiner* — Katrina A Betton  
(74) *Attorney, Agent, or Firm* — The Webb Law Firm

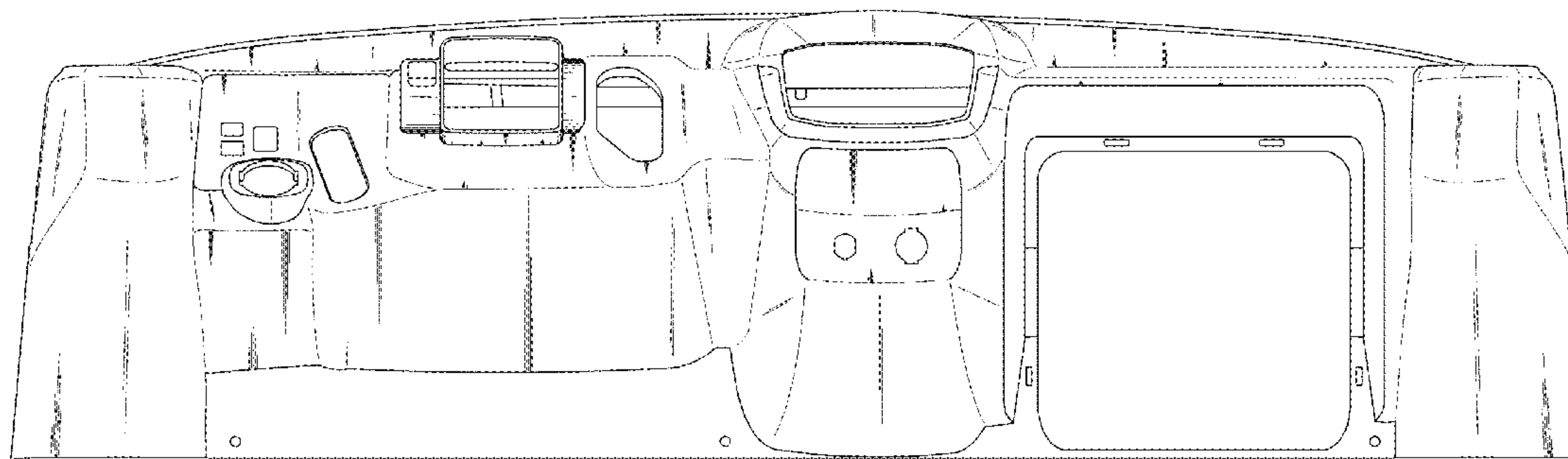
(57) **CLAIM**

The ornamental design for an instrument panel for transport vehicle, as shown and described.

**DESCRIPTION**

FIG. 1 is a front view of an instrument panel for transport vehicle showing my new design;  
FIG. 2 is a rear view thereof;  
FIG. 3 is a left side view thereof;  
FIG. 4 is a right side view thereof;  
FIG. 5 is a top view thereof;  
FIG. 6 is a bottom view thereof; and,  
FIG. 7 is a perspective view thereof.

**1 Claim, 6 Drawing Sheets**



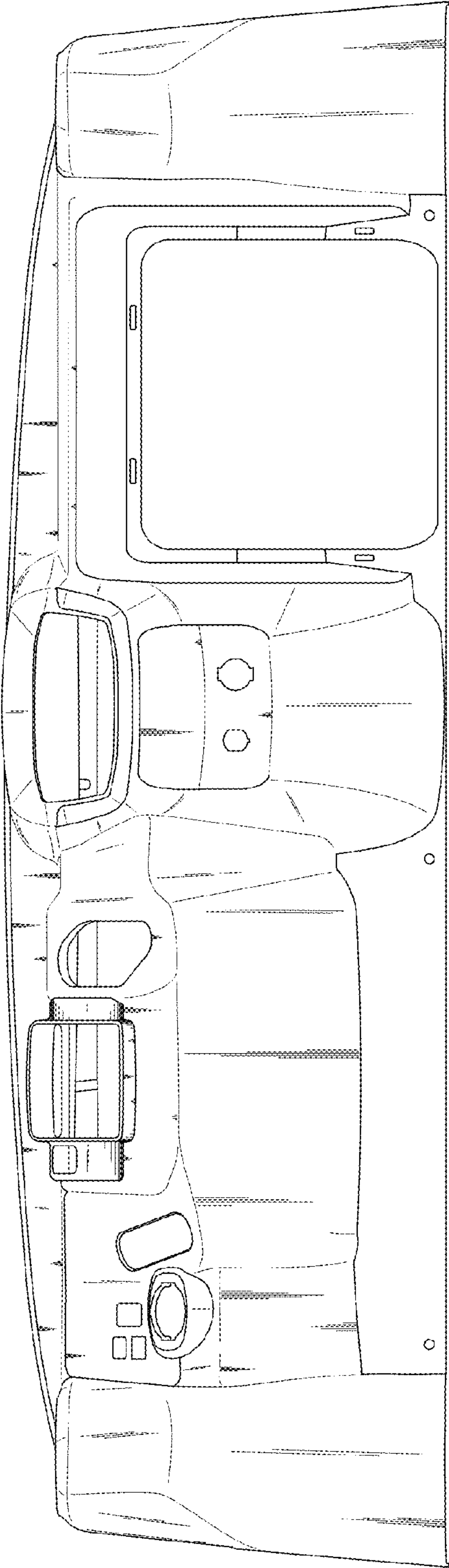
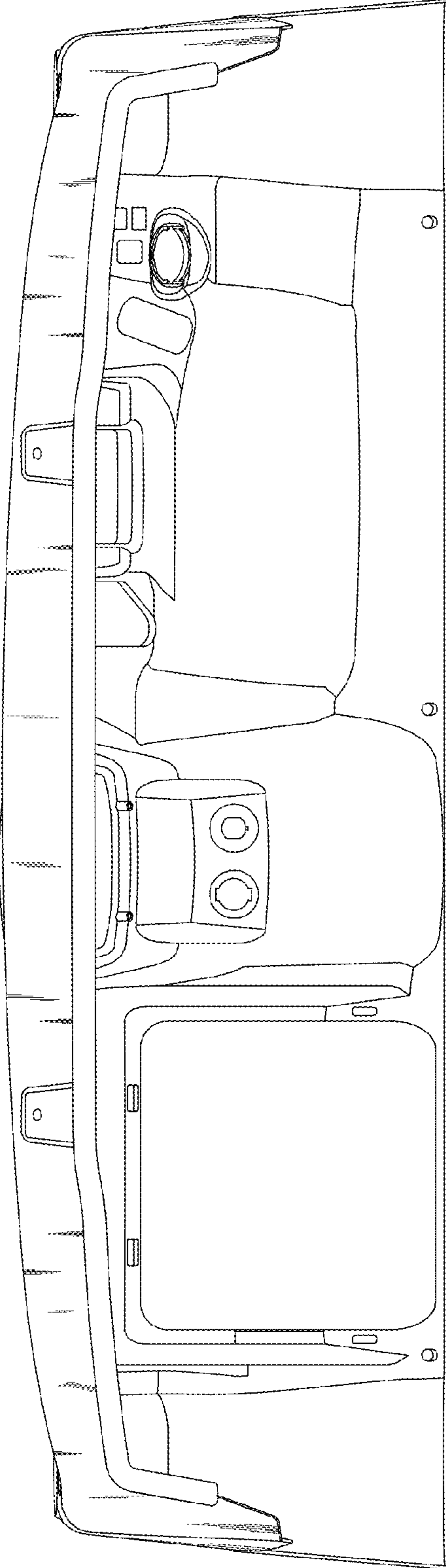
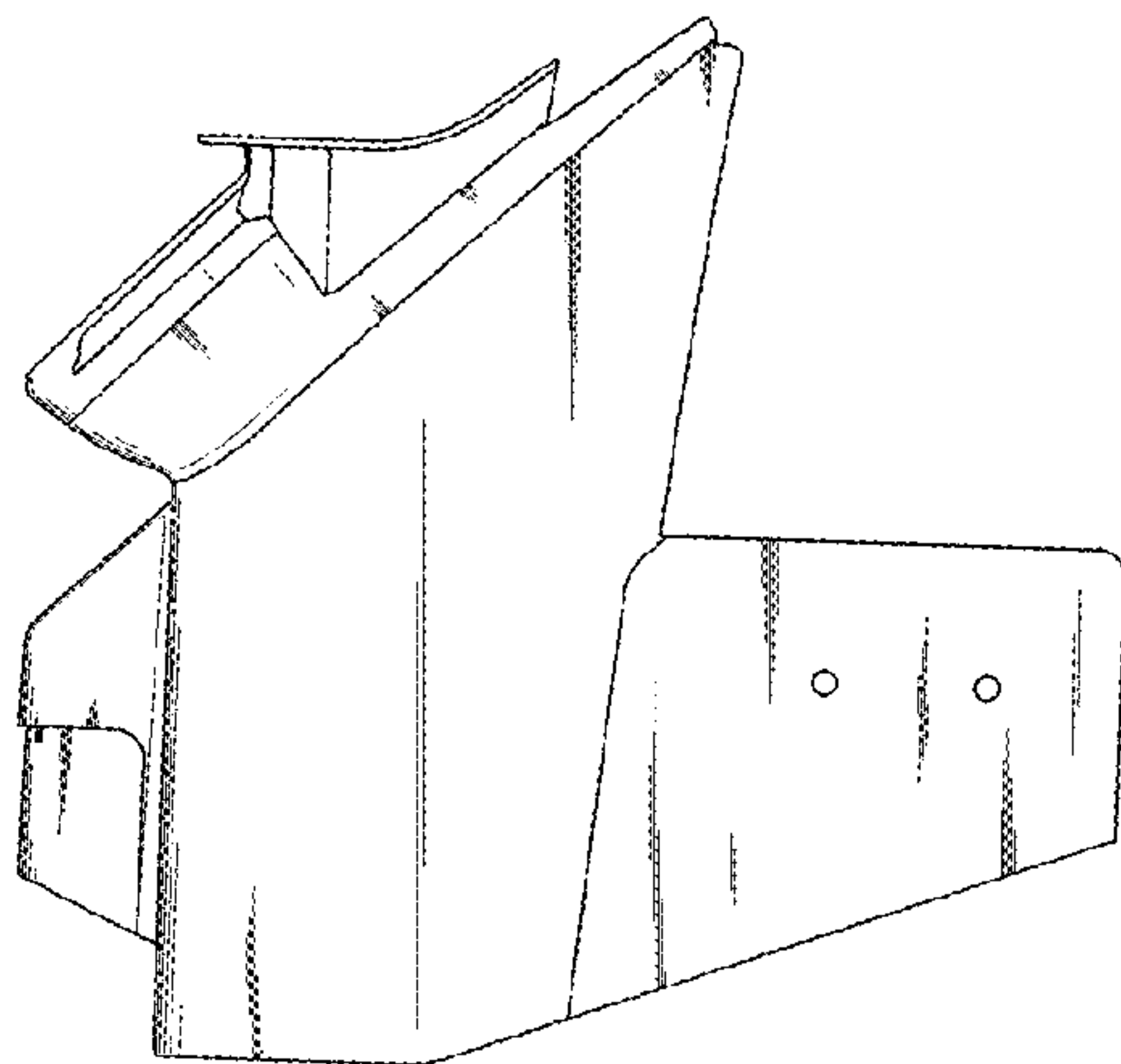


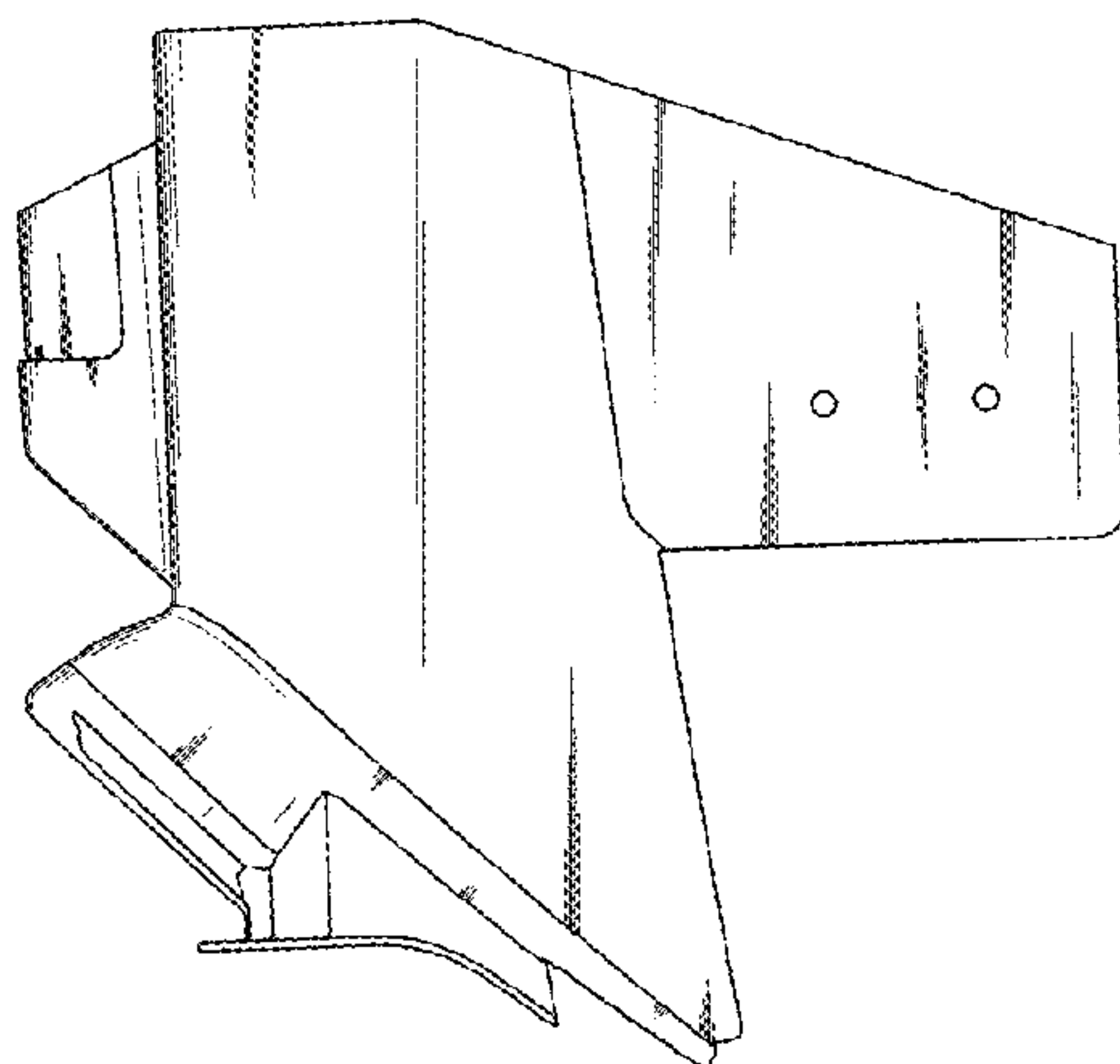
FIG. 1



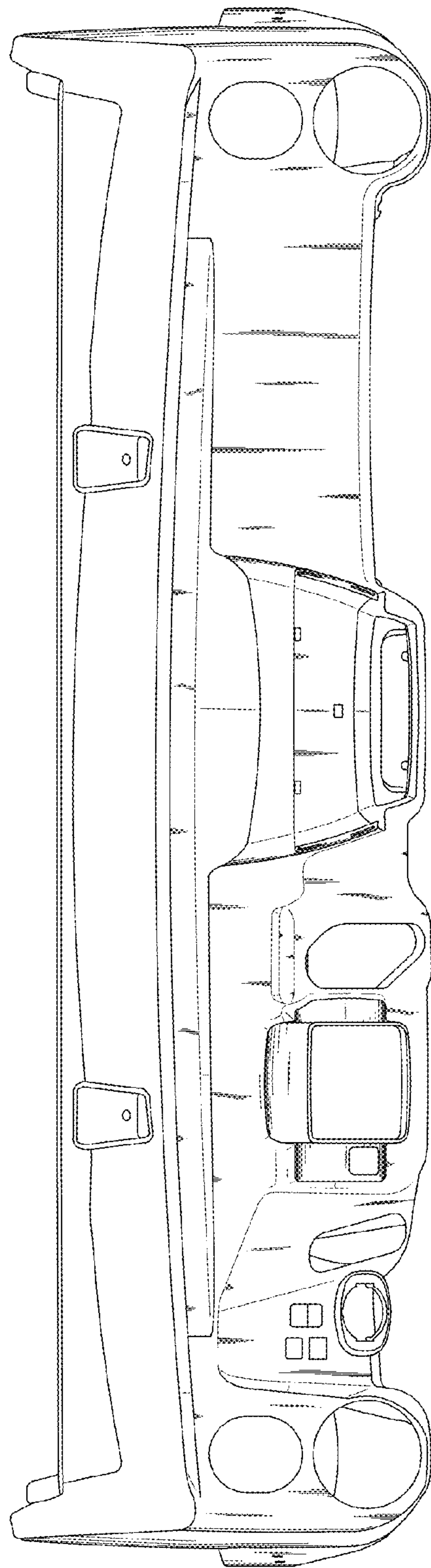
**FIG. 2**



**FIG. 4**



**FIG. 3**



**FIG. 5**

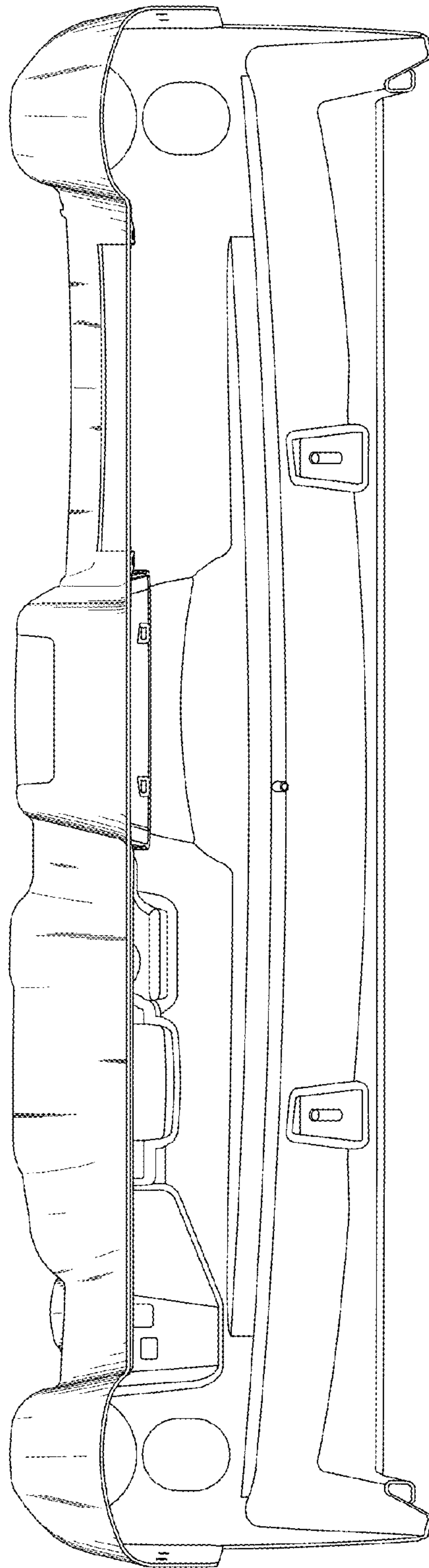


FIG. 6



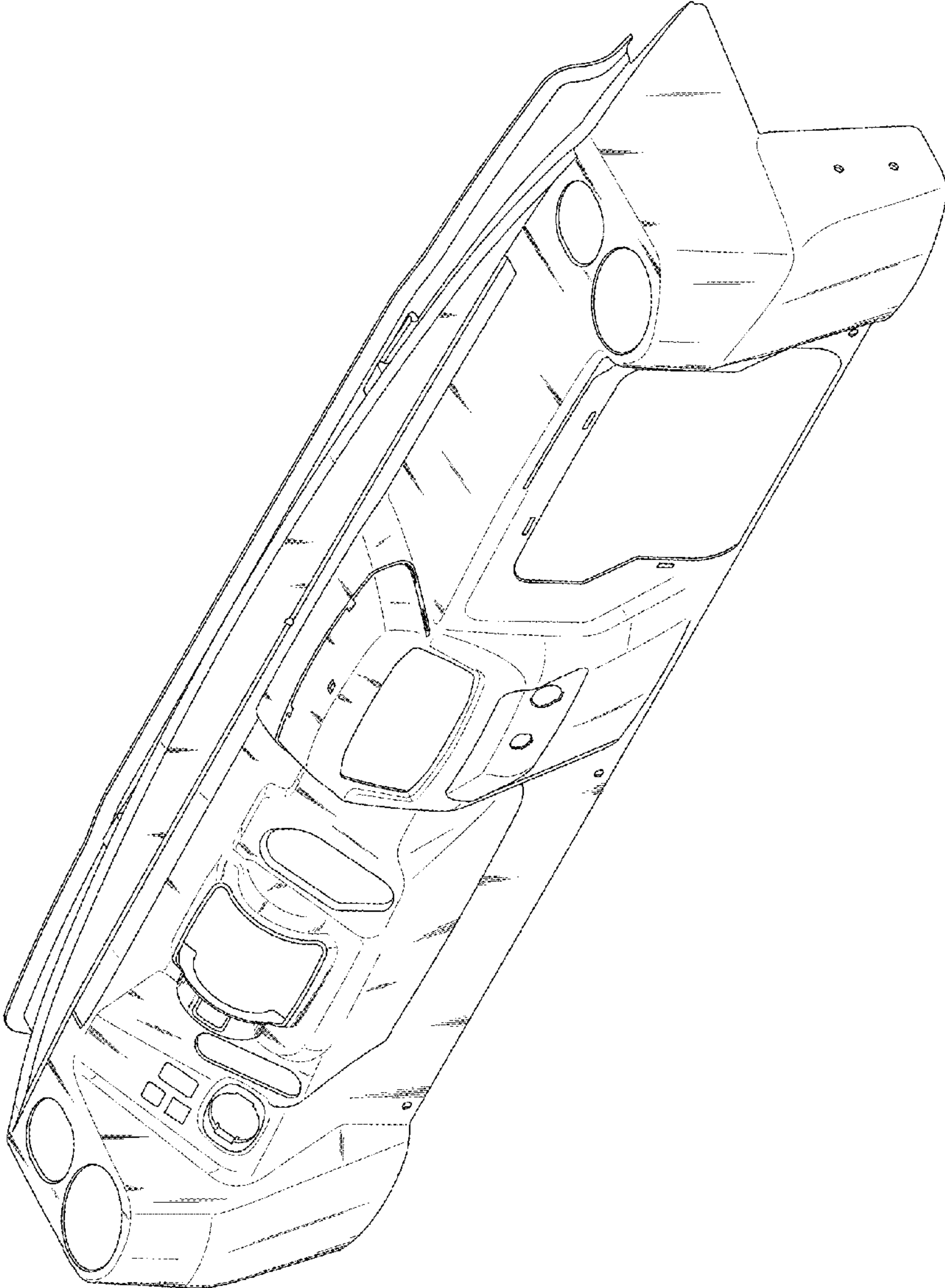


FIG. 7