



US00D696996S

(12) **United States Design Patent**
Kim et al.

(10) **Patent No.:** **US D696,996 S**
(45) **Date of Patent:** **** Jan. 7, 2014**

(54) **HEADS-UP DISPLAY DEVICE**
(71) Applicants: **Dae-Joung Kim**, Seoul (KR); **Sang-Min Hyun**, Seoul (KR); **Sang-Sung Woo**, Seoul (KR)
(72) Inventors: **Dae-Joung Kim**, Seoul (KR); **Sang-Min Hyun**, Seoul (KR); **Sang-Sung Woo**, Seoul (KR)

(73) Assignee: **Samsung Electronics Co., Ltd.**, Suwon-si, Gyeonggi-do (KR)

(**) Term: **14 Years**

(21) Appl. No.: **29/450,439**

(22) Filed: **Mar. 18, 2013**

(30) **Foreign Application Priority Data**

Nov. 6, 2012 (KR) 30-2012-0052880

(51) **LOC (10) Cl.** **12-16**

(52) **U.S. Cl.**
USPC **D12/192**

(58) **Field of Classification Search**
USPC D12/192, 415, 110, 114; 180/90; 280/750-752; 296/190.01-190.09, 296/191, 70; D15/17, 28; D10/46, 98, D10/102-103, 122-127
See application file for complete search history.

(56) **References Cited**

U.S. PATENT DOCUMENTS

D338,840 S * 8/1993 Ueda D10/98
D376,552 S * 12/1996 Ueda D10/98

D422,519 S * 4/2000 Ueda et al. D10/98
D450,006 S * 11/2001 Nagano et al. D10/98
D522,896 S * 6/2006 Okuda et al. D10/98
D612,274 S * 3/2010 Heidemann et al. D10/78
D626,980 S * 11/2010 Noguchi D15/143
D628,526 S * 12/2010 Stephenson D12/192
D635,497 S * 4/2011 Chambers et al. D12/192
D651,952 S * 1/2012 Pegorier et al. D12/192

* cited by examiner

Primary Examiner — Katrina A Betton

(74) *Attorney, Agent, or Firm* — Flynn, Thiel, Boutell & Tanis, P.C.

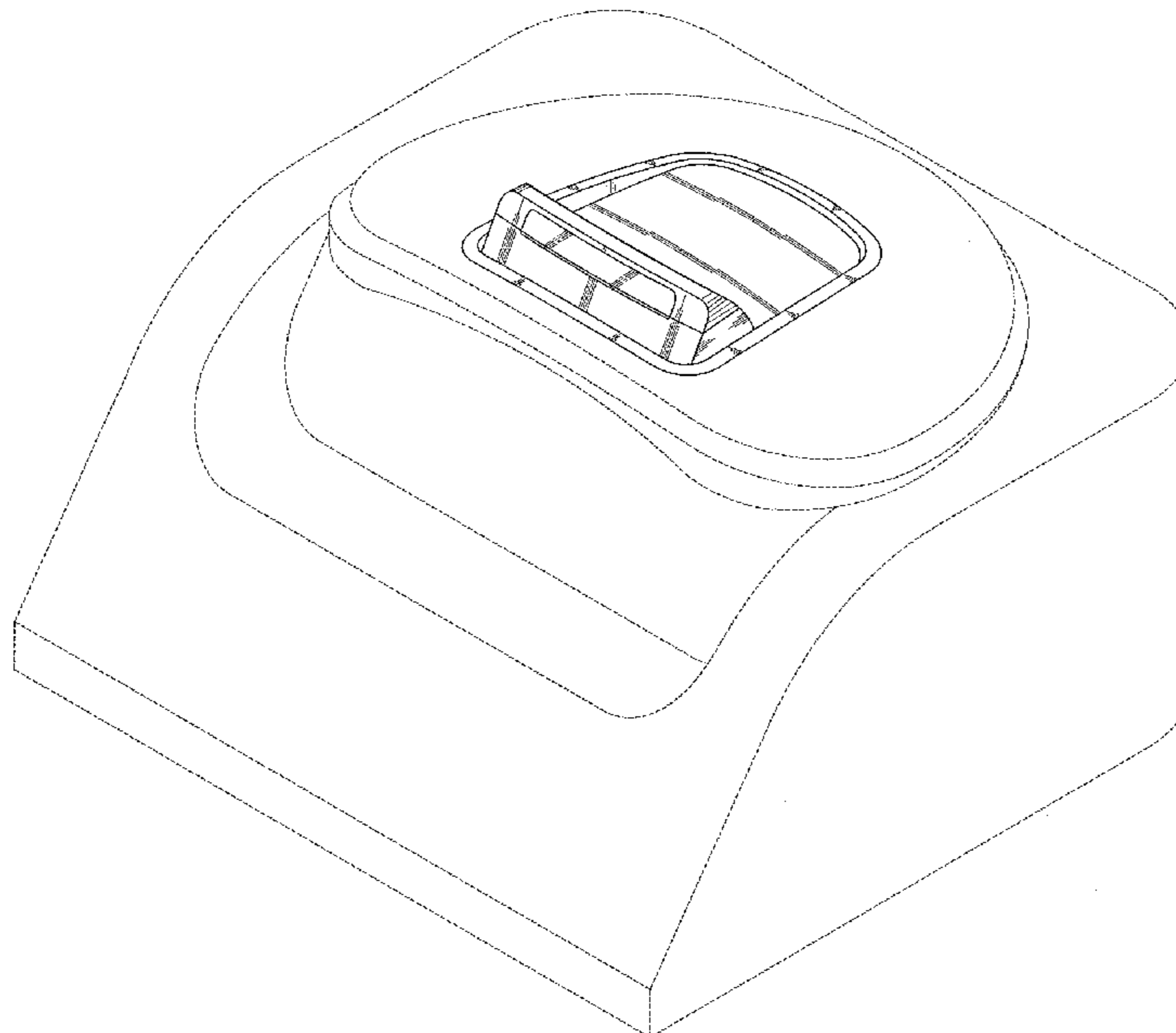
(57) **CLAIM**

The ornamental design for a heads-up display device, as shown and described herein.

DESCRIPTION

FIG. 1 is a top front perspective view of a heads-up display device showing our new design;
FIG. 2 is a front elevational view thereof;
FIG. 3 is a rear elevational view thereof;
FIG. 4 is a left side elevational view thereof;
FIG. 5 is a right side elevational view thereof;
FIG. 6 is a top plan view thereof;
FIG. 7 is a bottom plan view thereof;
FIG. 8 is a perspective view thereof showing that the present heads-up display device is closed; and,
FIG. 9 is a perspective view thereof showing that the present heads-up display device is connected with another device.
The broken lines depict environmental subject matter only and form no part of the claimed design.

1 Claim, 6 Drawing Sheets



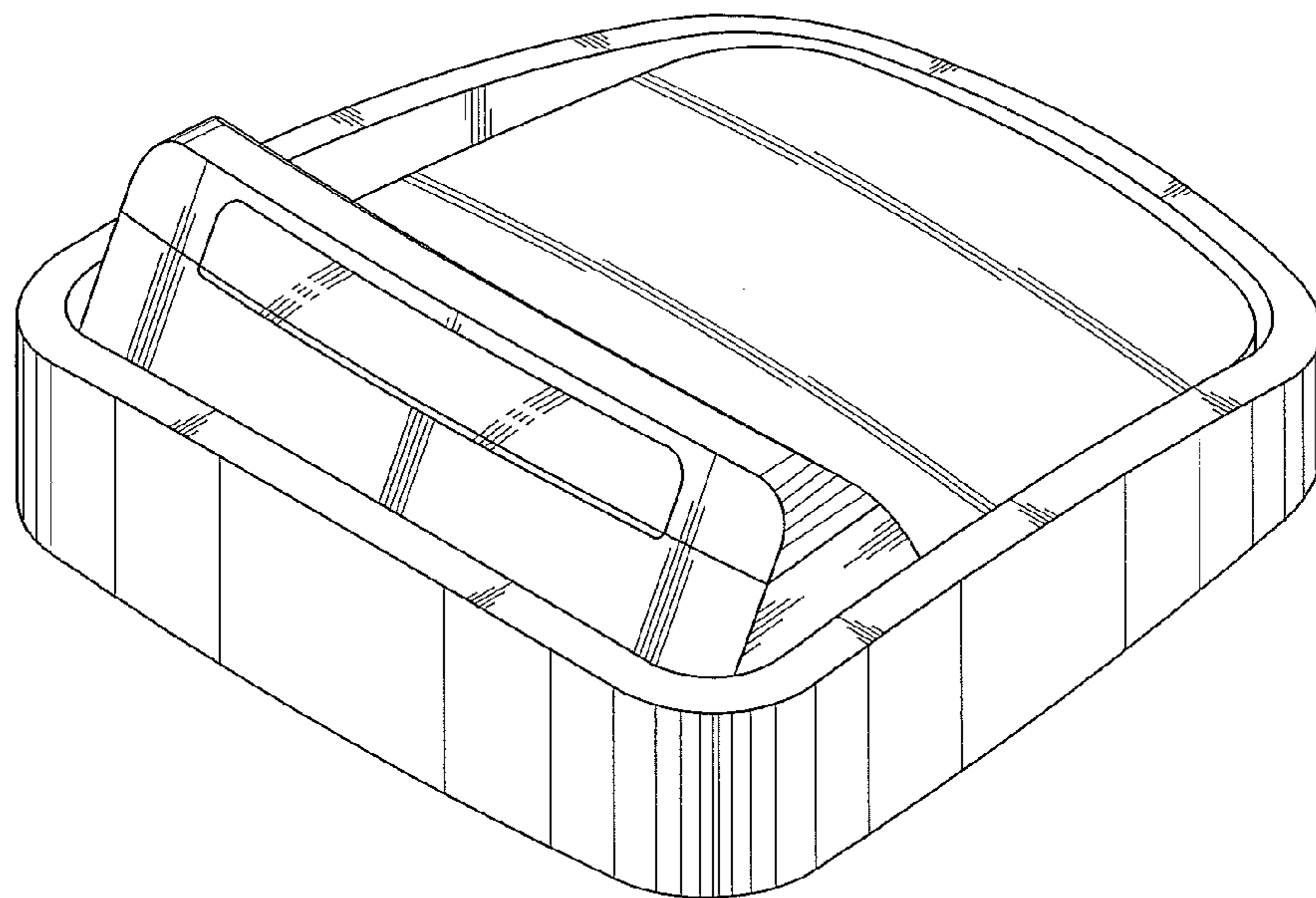


FIG.1

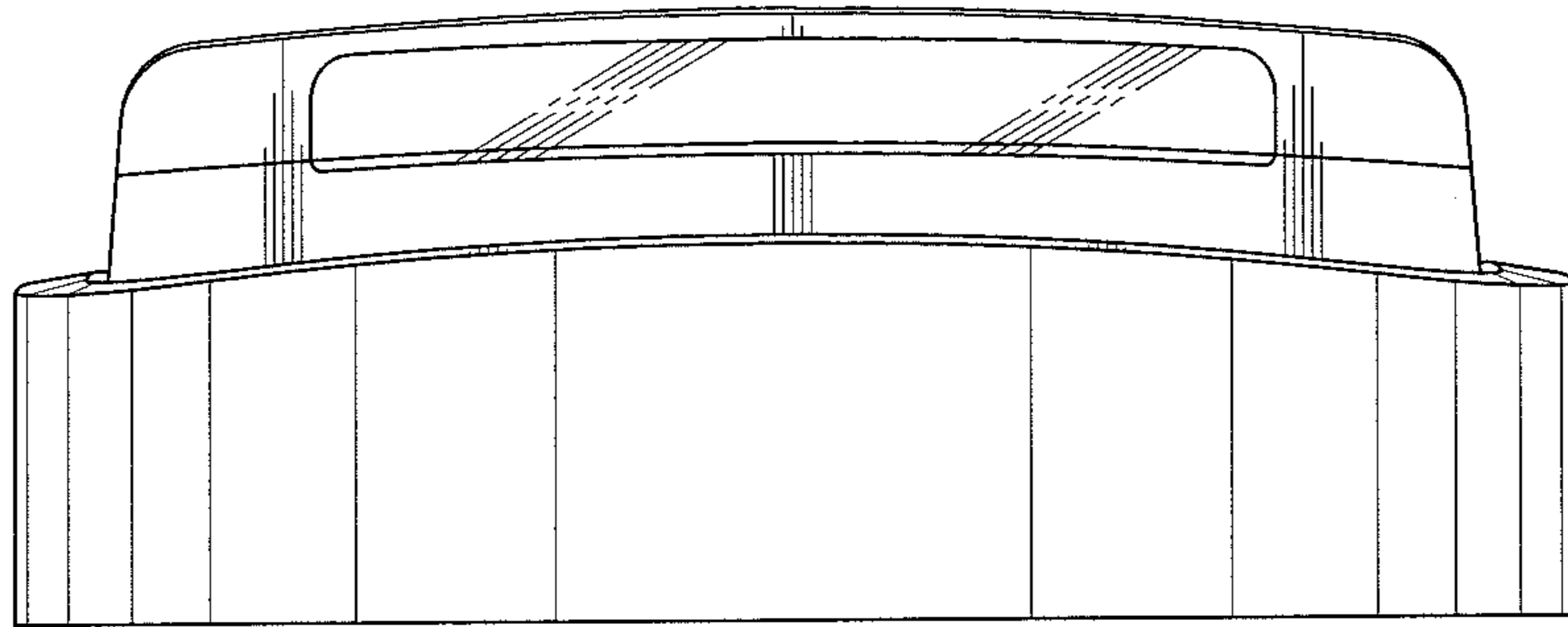


FIG. 2

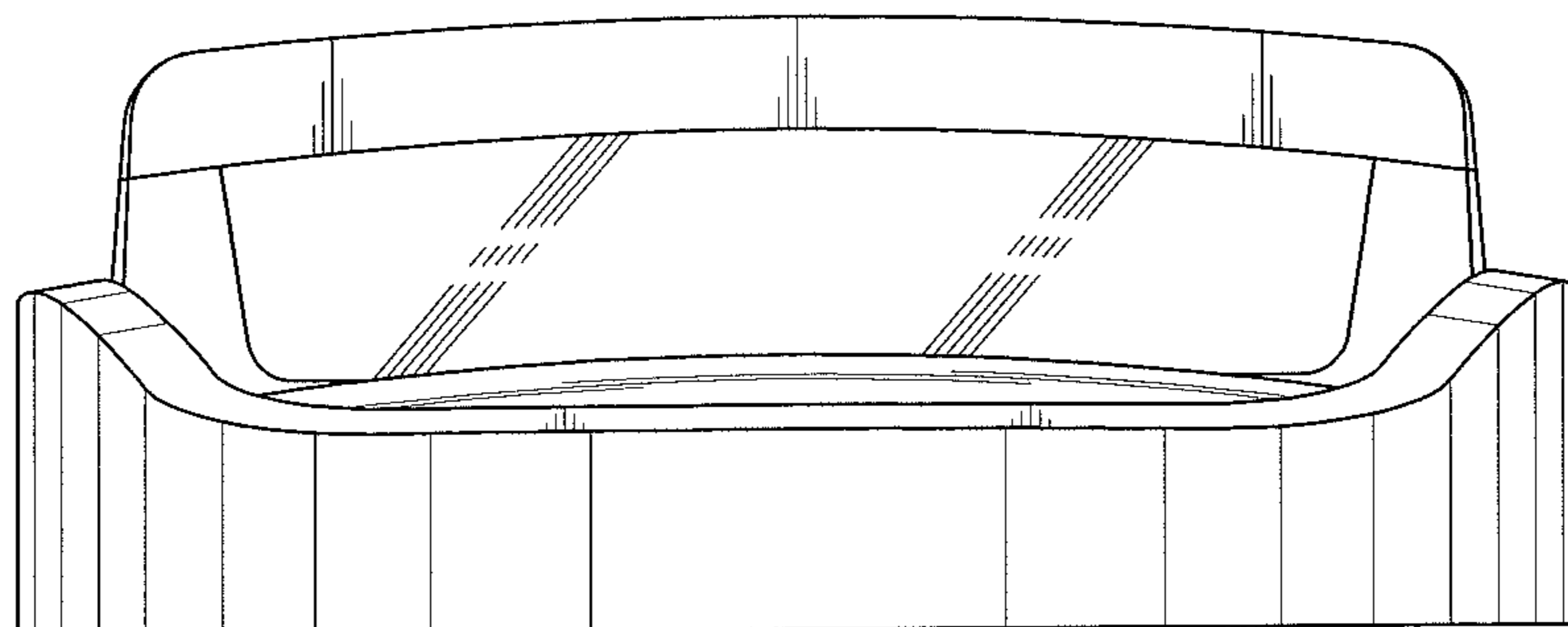


FIG. 3

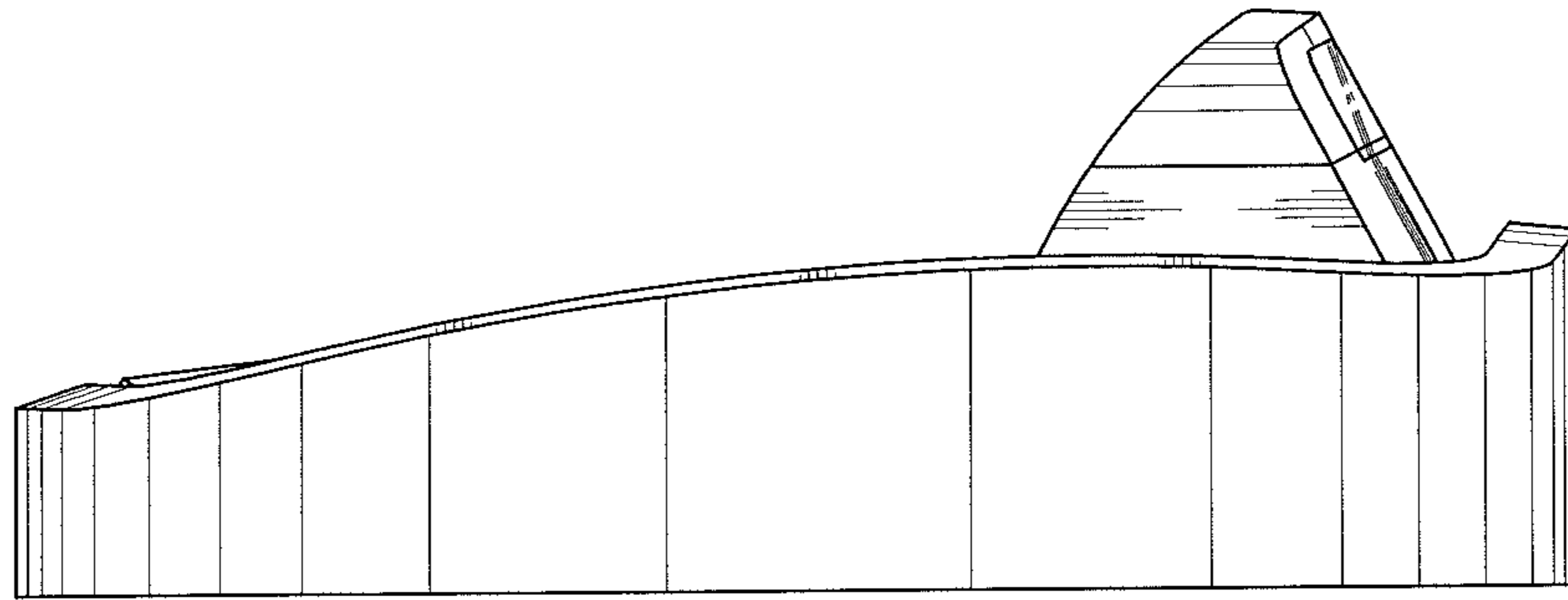


FIG. 4

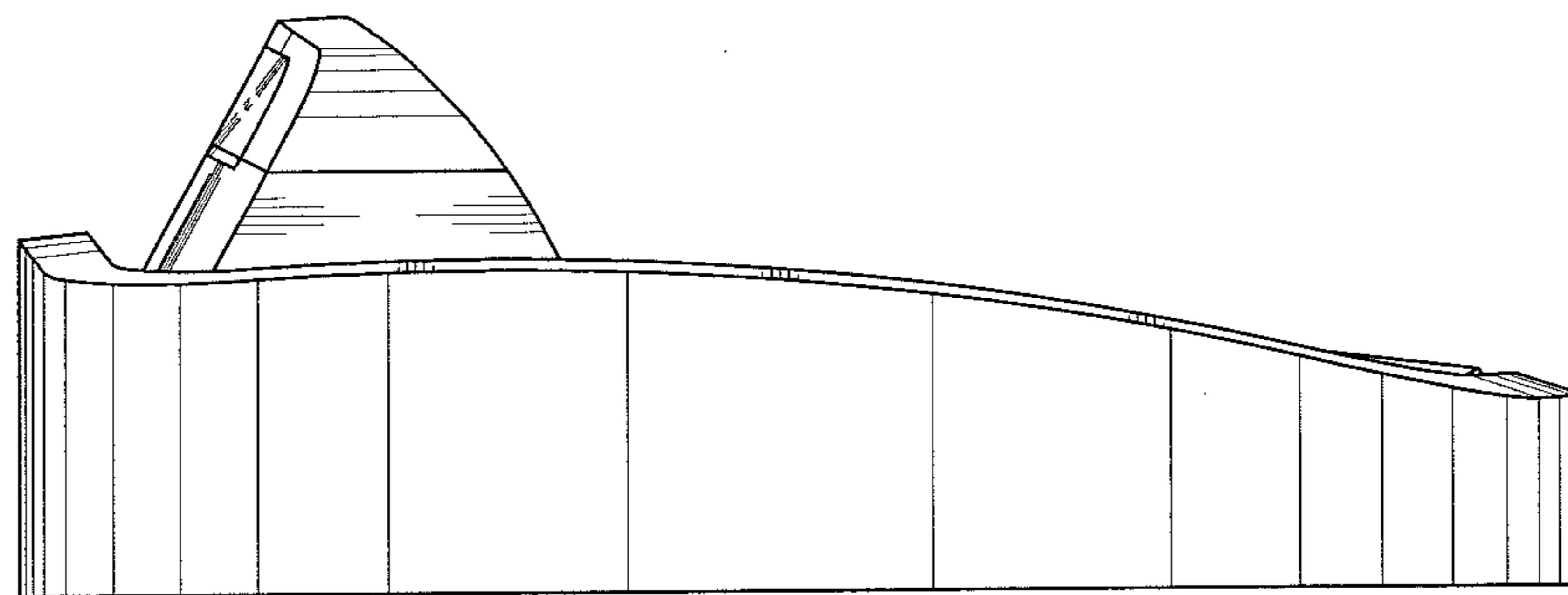


FIG. 5

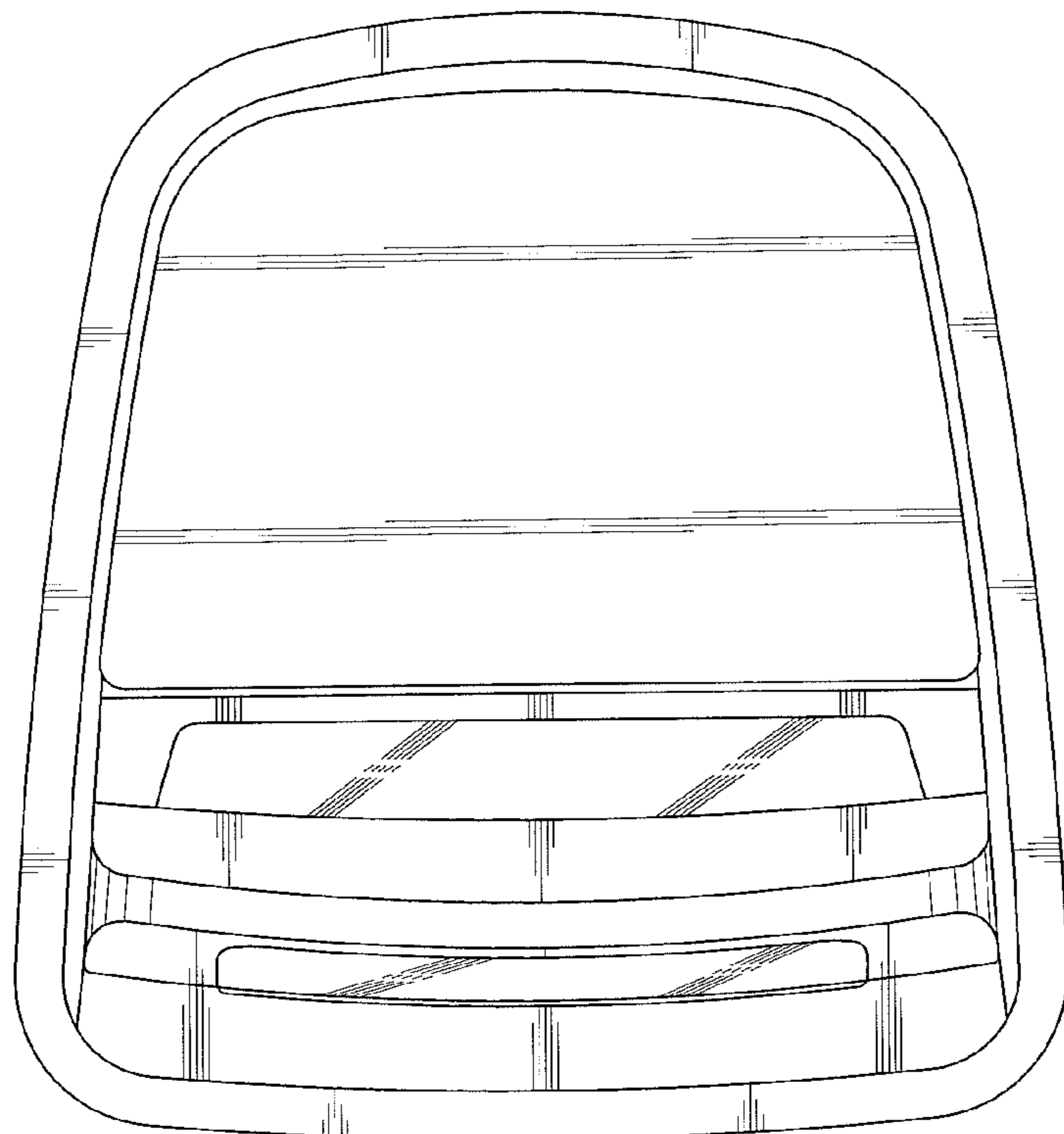


FIG. 6

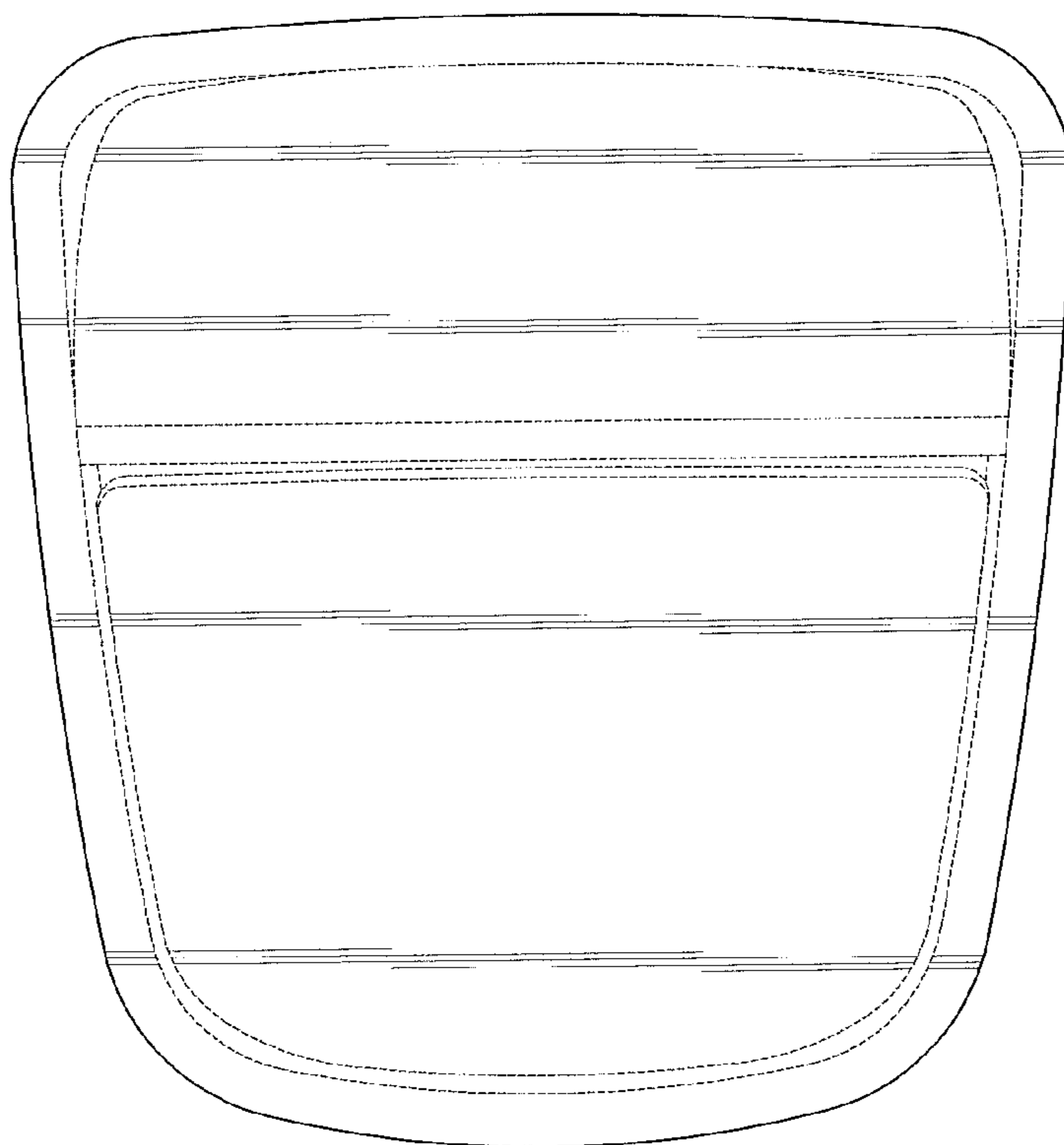


FIG. 7

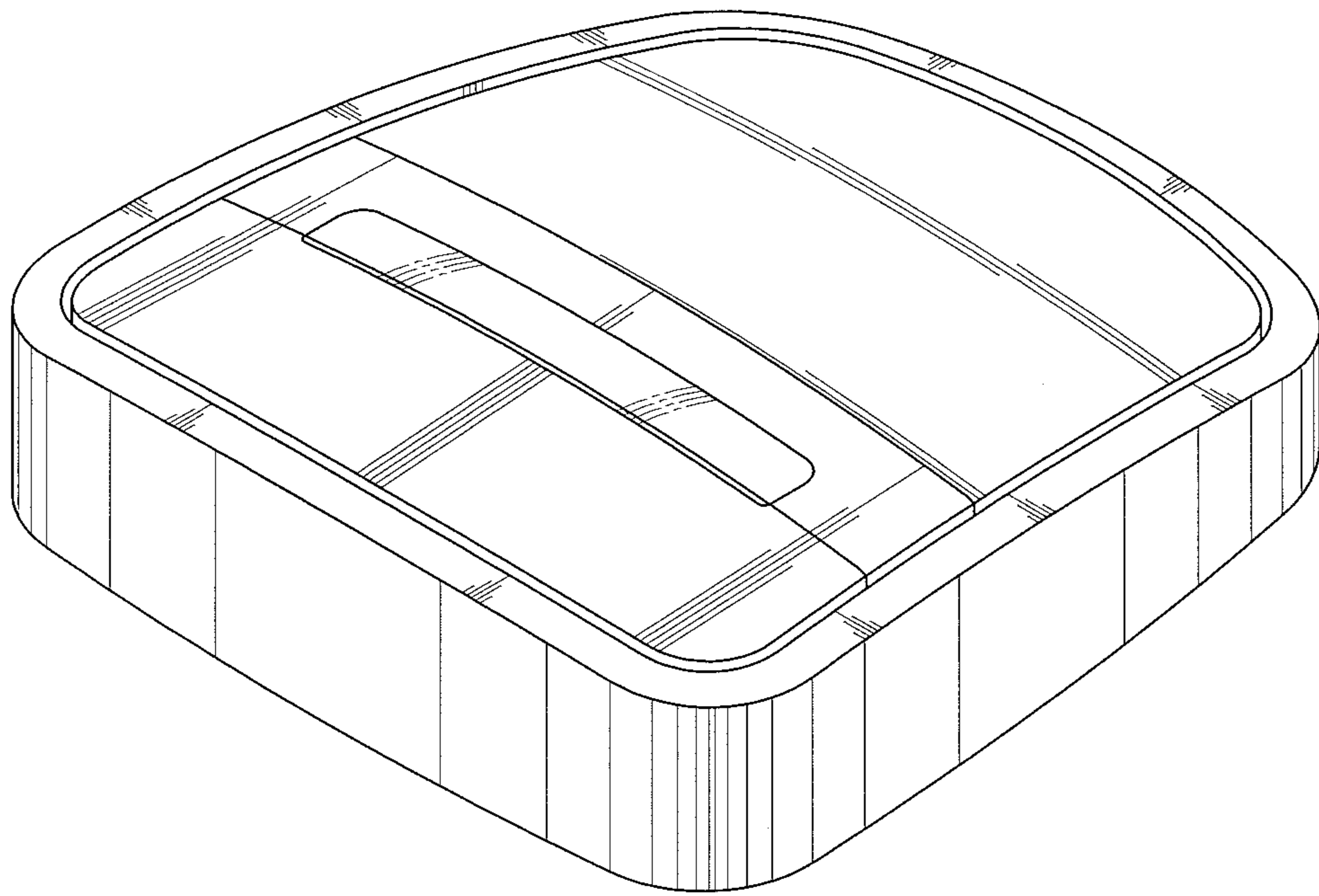


FIG.8

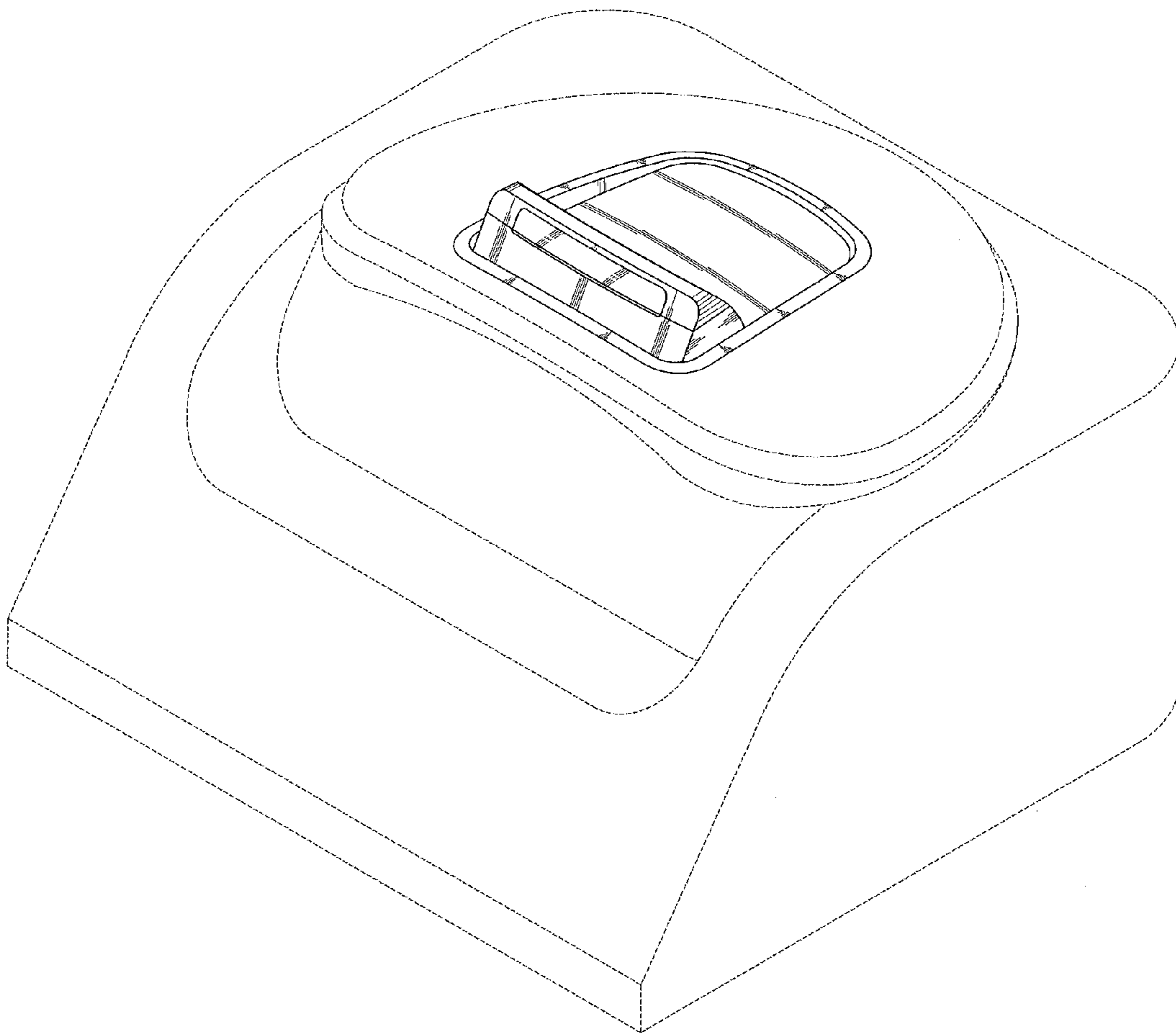


FIG.9