

US00D696995S

(12) **United States Design Patent**  
**Ogawa et al.**

(10) **Patent No.:** **US D696,995 S**  
(45) **Date of Patent:** **\*\* Jan. 7, 2014**

- (54) **INSTRUMENT PANEL FOR AN AUTOMOBILE**
- (75) Inventors: **Hiroshi Ogawa**, Nisshin (JP); **Hidemasa Komatsu**, Toyota (JP); **Junya Ono**, Toyota (JP)
- (73) Assignee: **Toyota Jidosha Kabushiki Kaisha** (JP)
- (\*\*) Term: **14 Years**
- (21) Appl. No.: **29/418,381**
- (22) Filed: **Apr. 16, 2012**
- (51) **LOC (10) Cl.** ..... **12-16**
- (52) **U.S. Cl.**  
USPC ..... **D12/192**
- (58) **Field of Classification Search**  
USPC ..... D12/192, 415, 110, 114; 180/90; 280/750-752; 296/190.01-190.09, 296/191, 70; D15/17, 28; D10/46, 98, D10/102-103, 122-127  
See application file for complete search history.

- D563,299 S \* 3/2008 Mizuhata et al. .... D12/192
- D567,162 S \* 4/2008 Motozaki et al. .... D12/192
- D593,012 S \* 5/2009 Day et al. .... D12/192

**OTHER PUBLICATIONS**

Honda, Honda City, NetCarShow, [http://www.netcarshow.com/honda/2009-city/1600x1200/wallpaper\\_07.htm](http://www.netcarshow.com/honda/2009-city/1600x1200/wallpaper_07.htm), available at least as early as Apr. 2010.

Hyundai, Hyundai Veloster, NetCarShow, [http://www.netcarshow.com/hyundai/2012-veloster/800x600/wallpaper\\_8f.htm](http://www.netcarshow.com/hyundai/2012-veloster/800x600/wallpaper_8f.htm), available at least as early as Jan. 2011.

\* cited by examiner

*Primary Examiner* — Katrina A Betton

(74) *Attorney, Agent, or Firm* — SAIDMAN DesignLaw Group

(57) **CLAIM**

The ornamental design for an instrument panel for an automobile, as shown and described.

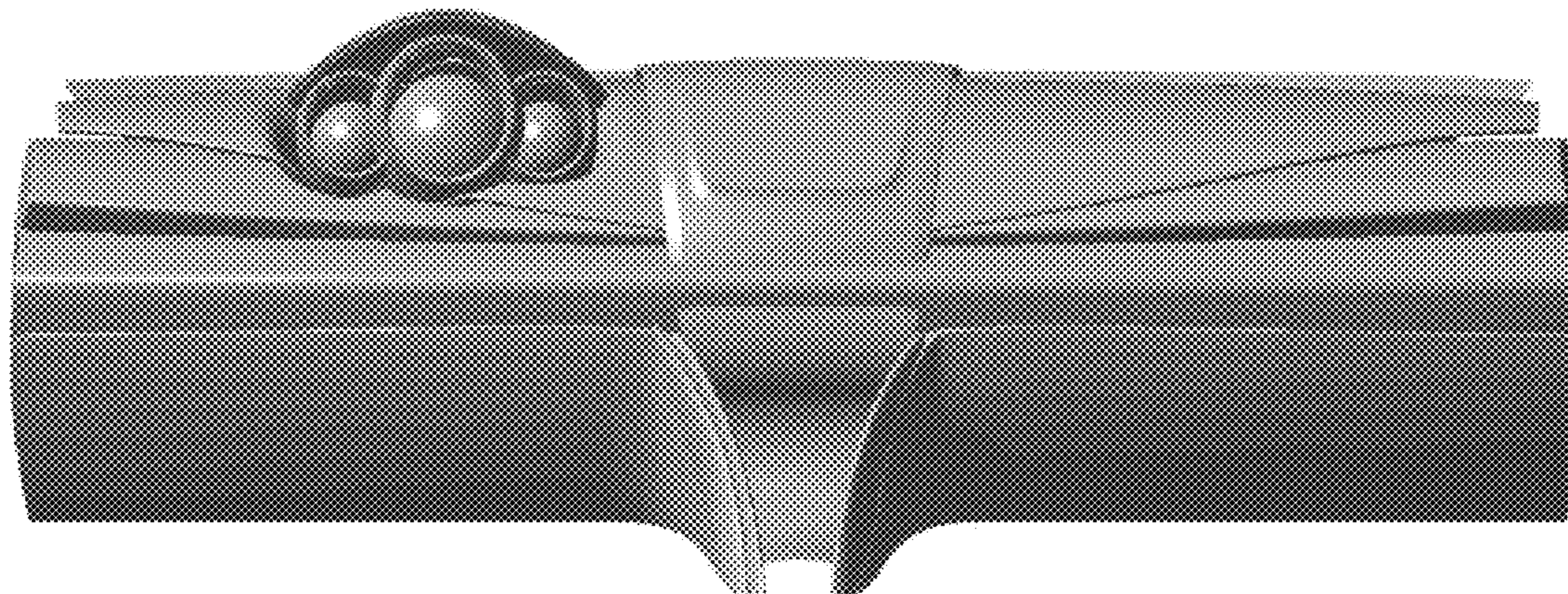
**DESCRIPTION**

FIG. 1 is a perspective view of an instrument panel for an automobile showing our new design;  
 FIG. 2 is a front view thereof;  
 FIG. 3 is a rear view thereof;  
 FIG. 4 is a top view thereof;  
 FIG. 5 is a bottom view thereof;  
 FIG. 6 is a right side view thereof; and,  
 FIG. 7 is a left side view thereof.

**1 Claim, 3 Drawing Sheets**

(56) **References Cited**  
**U.S. PATENT DOCUMENTS**

- D363,053 S \* 10/1995 Abele ..... D12/192
- D401,201 S \* 11/1998 Saleen ..... D12/192
- D456,755 S \* 5/2002 Boulay et al. .... D12/192
- D488,417 S \* 4/2004 Herrera, Jr. .... D12/192
- D519,893 S \* 5/2006 Kabayama et al. .... D12/192
- D519,894 S \* 5/2006 Asahi et al. .... D12/192
- D531,100 S \* 10/2006 Pfeiffer ..... D12/192
- D563,298 S \* 3/2008 Cardellini ..... D12/192





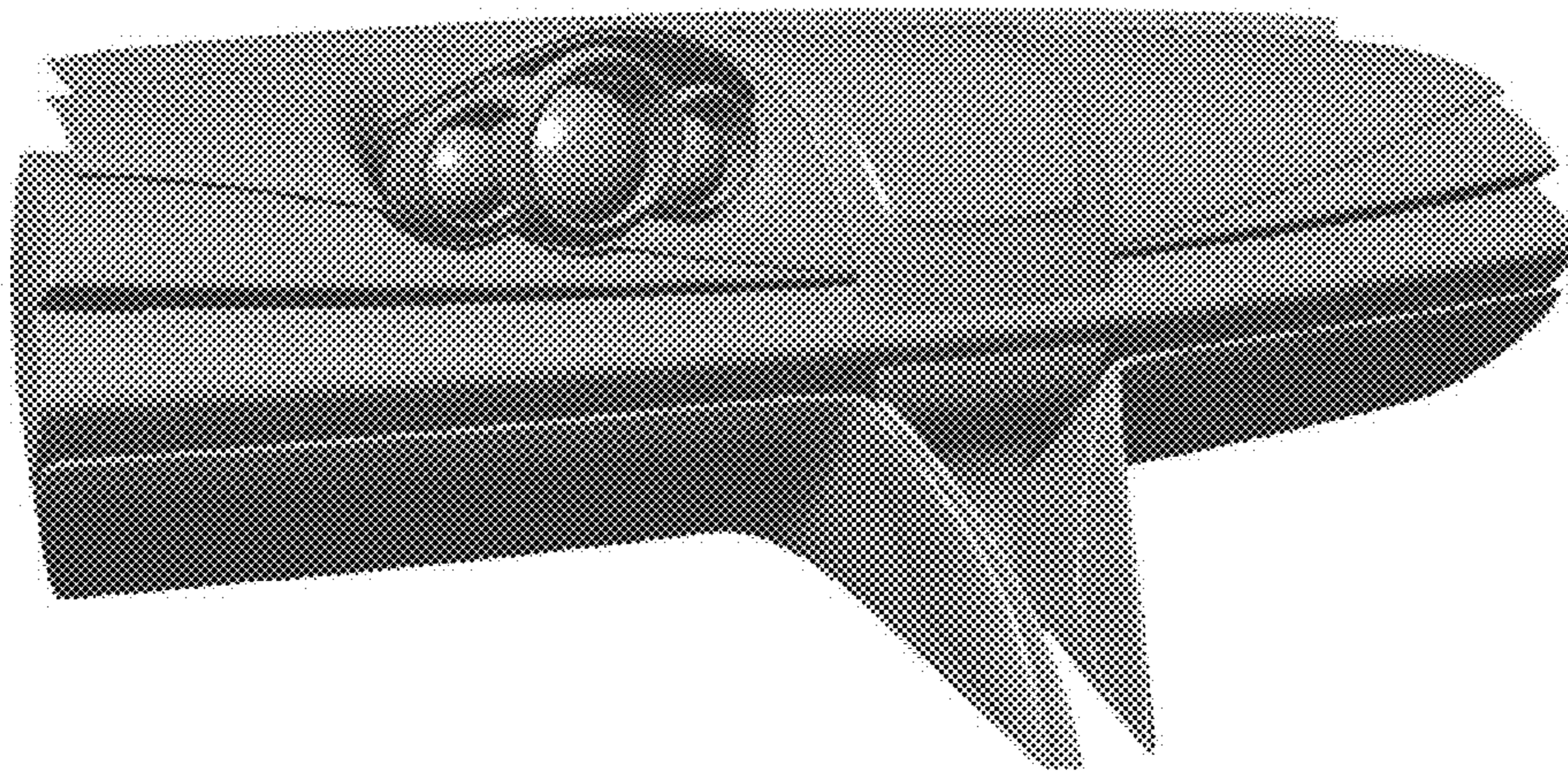


FIG. 1

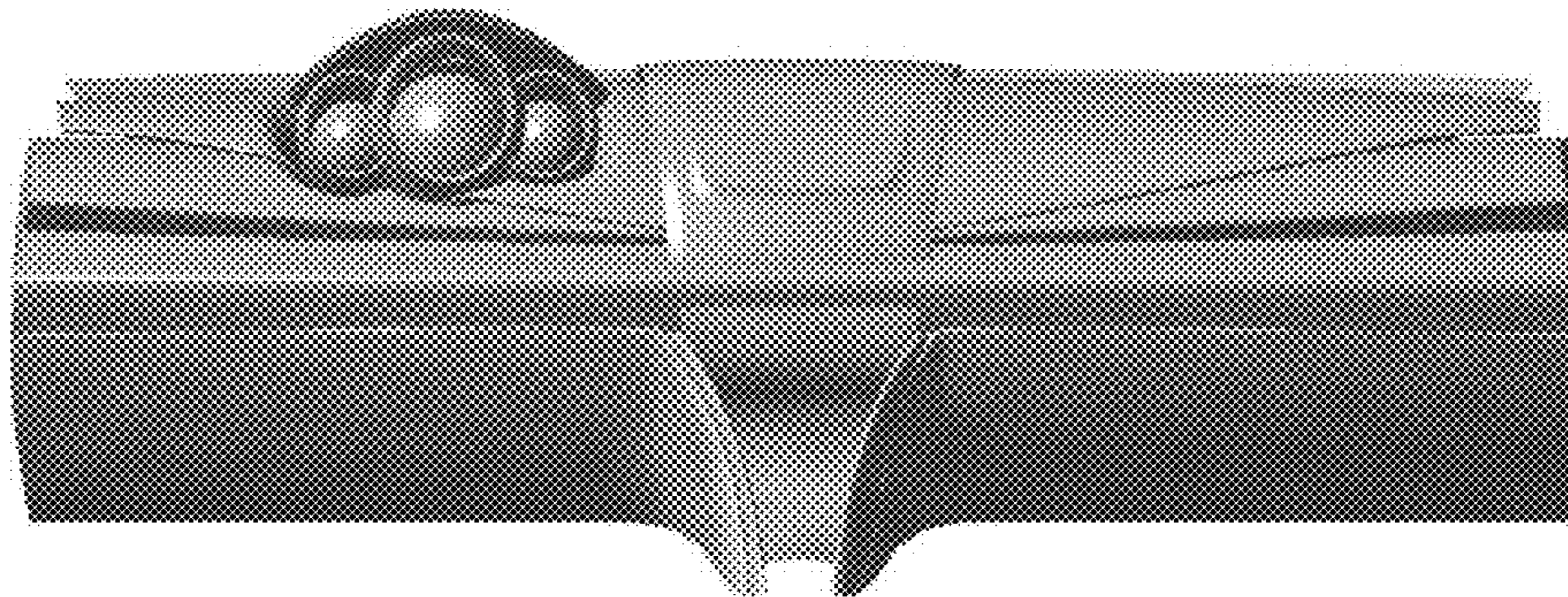


FIG. 2

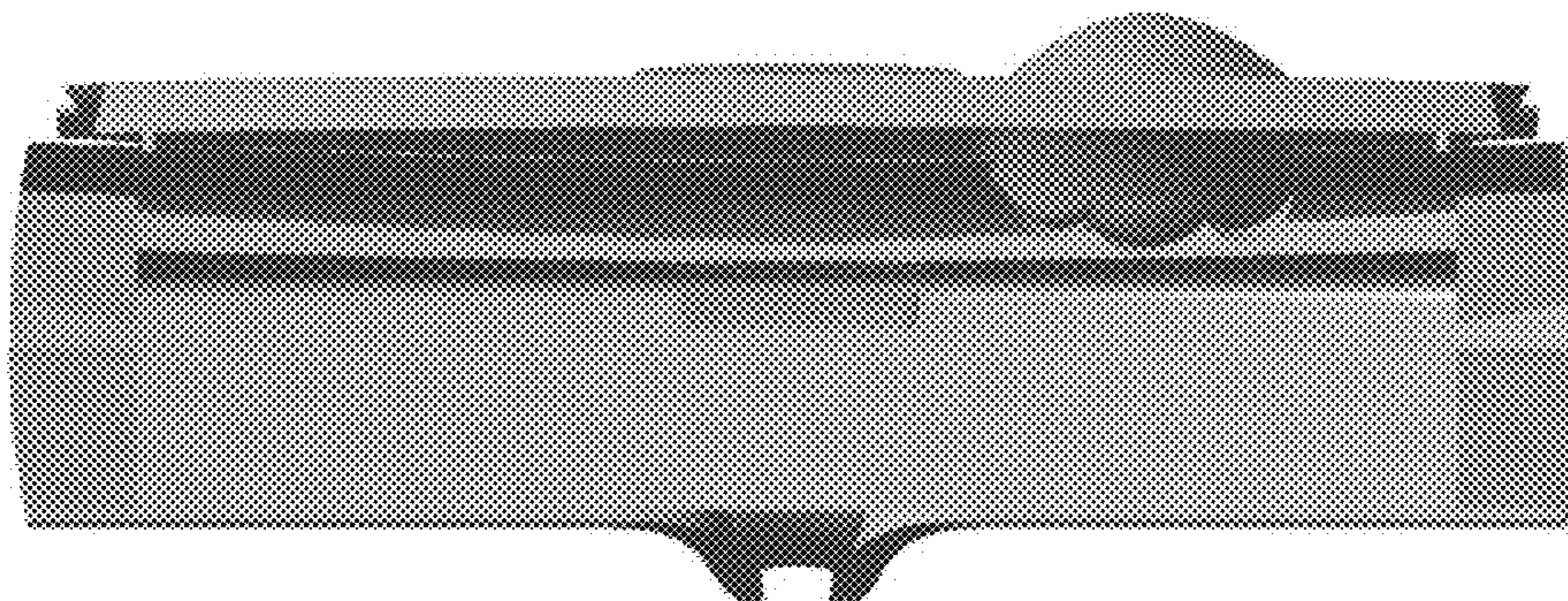


FIG. 3



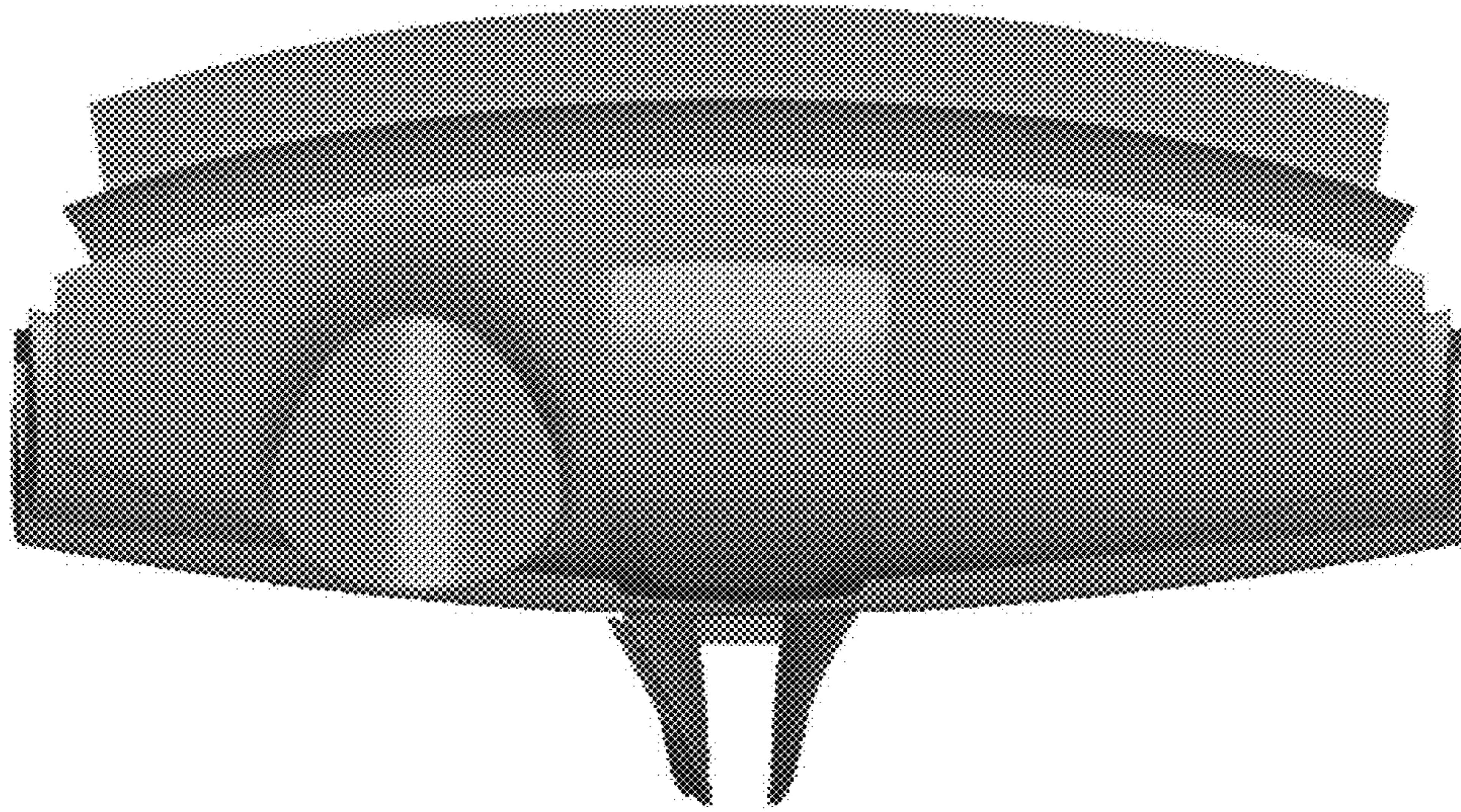


FIG. 4

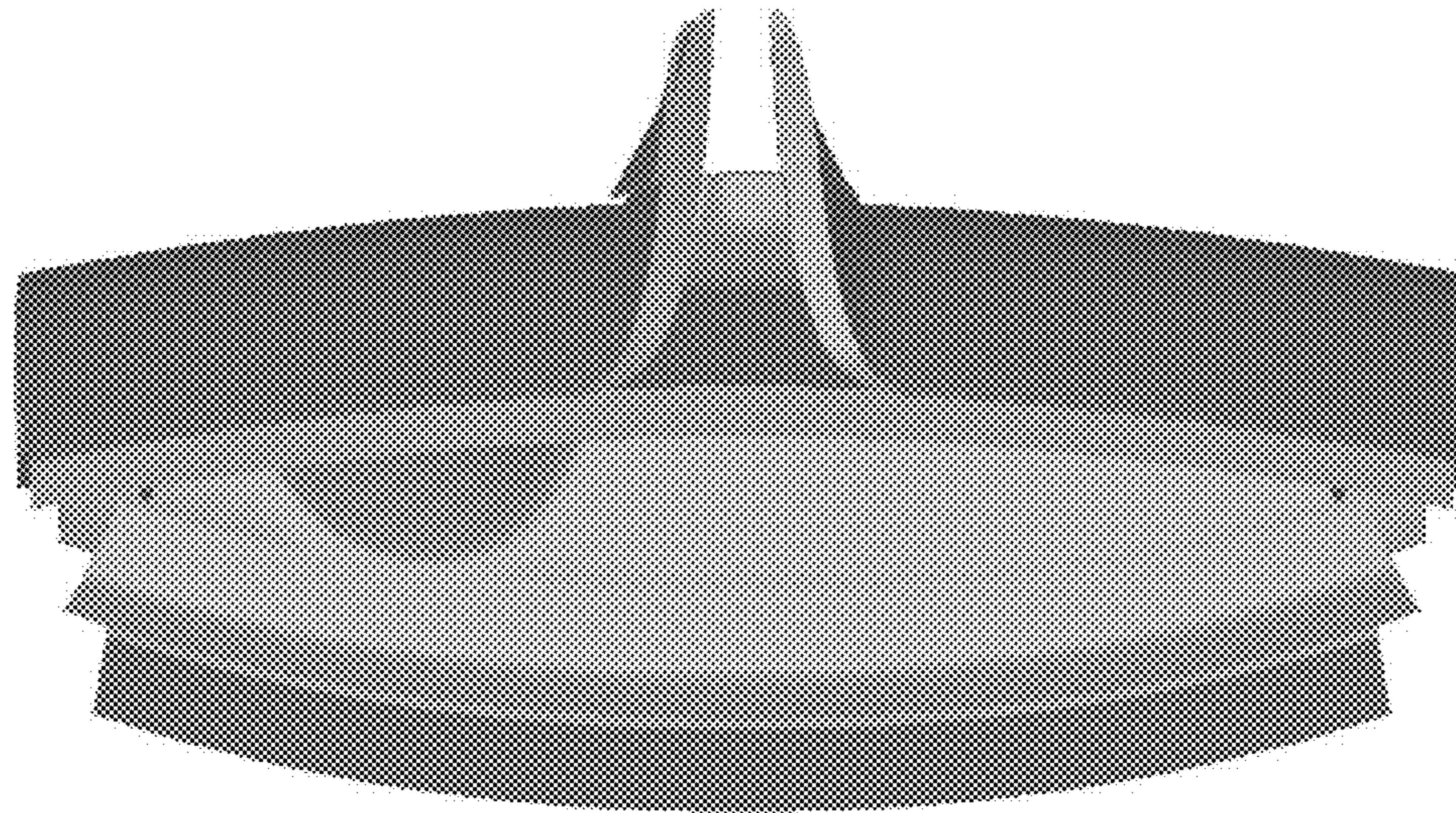


FIG. 5



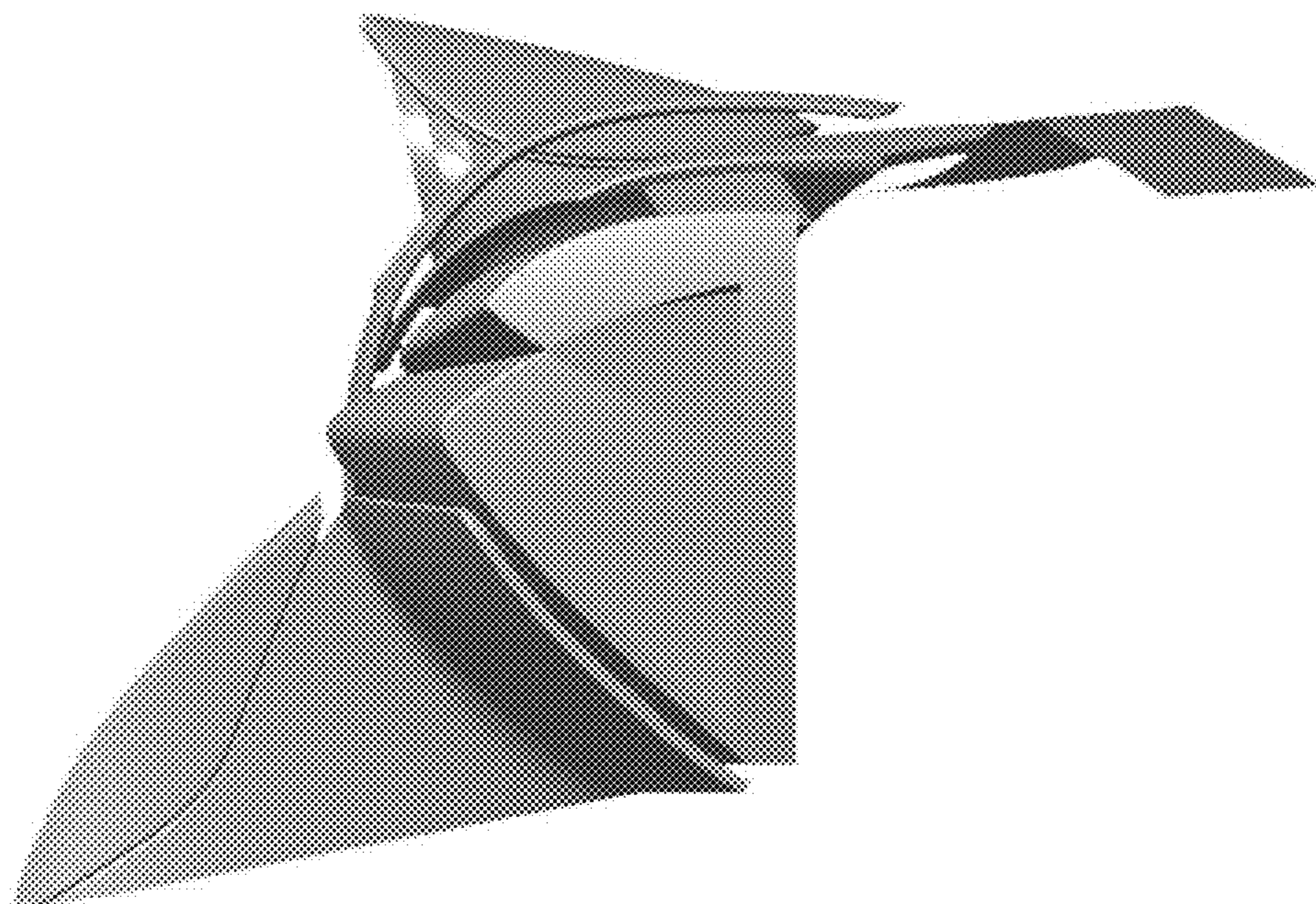


FIG. 6

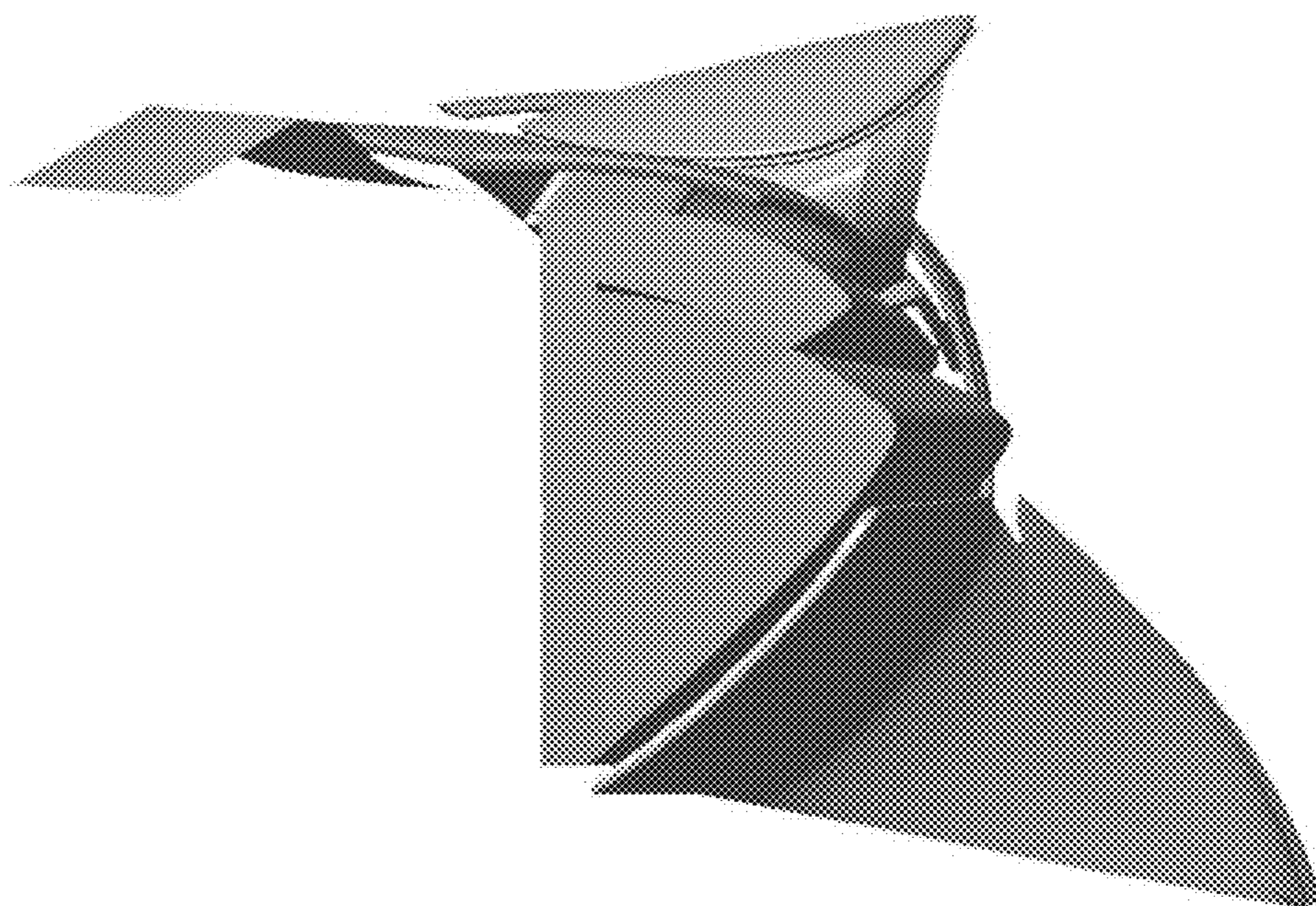


FIG. 7