



US00D696994S

(12) **United States Design Patent**  
**Tanaka et al.**

(10) **Patent No.:** **US D696,994 S**  
(45) **Date of Patent:** **\*\* Jan. 7, 2014**

- (54) **INSTRUMENT PANEL FOR AN AUTOMOBILE**
- (75) Inventors: **Kazuki Tanaka**, Tokyo (JP); **Aiji Shimizu**, Akiruno (JP)
- (73) Assignee: **Toyota Jidosha Kabushiki Kaisha** (JP)
- (\*\*) Term: **14 Years**
- (21) Appl. No.: **29/404,158**
- (22) Filed: **Oct. 17, 2011**
- (51) **LOC (10) Cl.** ..... **12-16**
- (52) **U.S. Cl.**  
USPC ..... **D12/192**
- (58) **Field of Classification Search**  
USPC ..... D12/192, 415, 110, 114; 180/90;  
280/750-752; 296/190.01-190.09,  
296/191, 70; D15/17, 28; D10/46, 98,  
D10/102-103, 122-127  
See application file for complete search history.

- D577,640 S \* 9/2008 Wyszogrod et al. .... D12/192
- D604,217 S \* 11/2009 Kabayama ..... D12/192
- D653,185 S \* 1/2012 Senda et al. .... D12/192
- D656,074 S \* 3/2012 Ohmori et al. .... D12/192

**OTHER PUBLICATIONS**

Toyota Prius, Shingata Prius No Subete, San-eishobo Publishing Co., Ltd., Jul. 3, 2009.  
 Ractis, Kokusansha No Subete, San-eishobo Publishing Co., Ltd., Feb. 6, 2011.  
 Renault DeZir, netcarshow.com, Sep. 26, 2011.

\* cited by examiner

*Primary Examiner* — Katrina A Betton

(74) *Attorney, Agent, or Firm* — SAIDMAN DesignLaw Group

(57) **CLAIM**

The ornamental design for an instrument panel for an automobile, as shown and described.

**DESCRIPTION**

FIG. 1 is a front perspective view of an instrument panel for an automobile showing our new design;  
 FIG. 2 is a front view thereof;  
 FIG. 3 is a rear view thereof;  
 FIG. 4 is a top view thereof;  
 FIG. 5 is a bottom view thereof;  
 FIG. 6 is a right side view thereof; and,  
 FIG. 7 is a left side view thereof.

**1 Claim, 3 Drawing Sheets**

(56) **References Cited**

**U.S. PATENT DOCUMENTS**

- D413,095 S \* 8/1999 Abalos et al. .... D12/192
- D470,807 S \* 2/2003 Wyszogrod et al. .... D12/192
- D519,893 S \* 5/2006 Kabayama et al. .... D12/192
- D549,628 S \* 8/2007 Esaki et al. .... D12/192
- D567,162 S \* 4/2008 Motozaki et al. .... D12/192
- D567,727 S \* 4/2008 Kawaguchi et al. .... D12/192





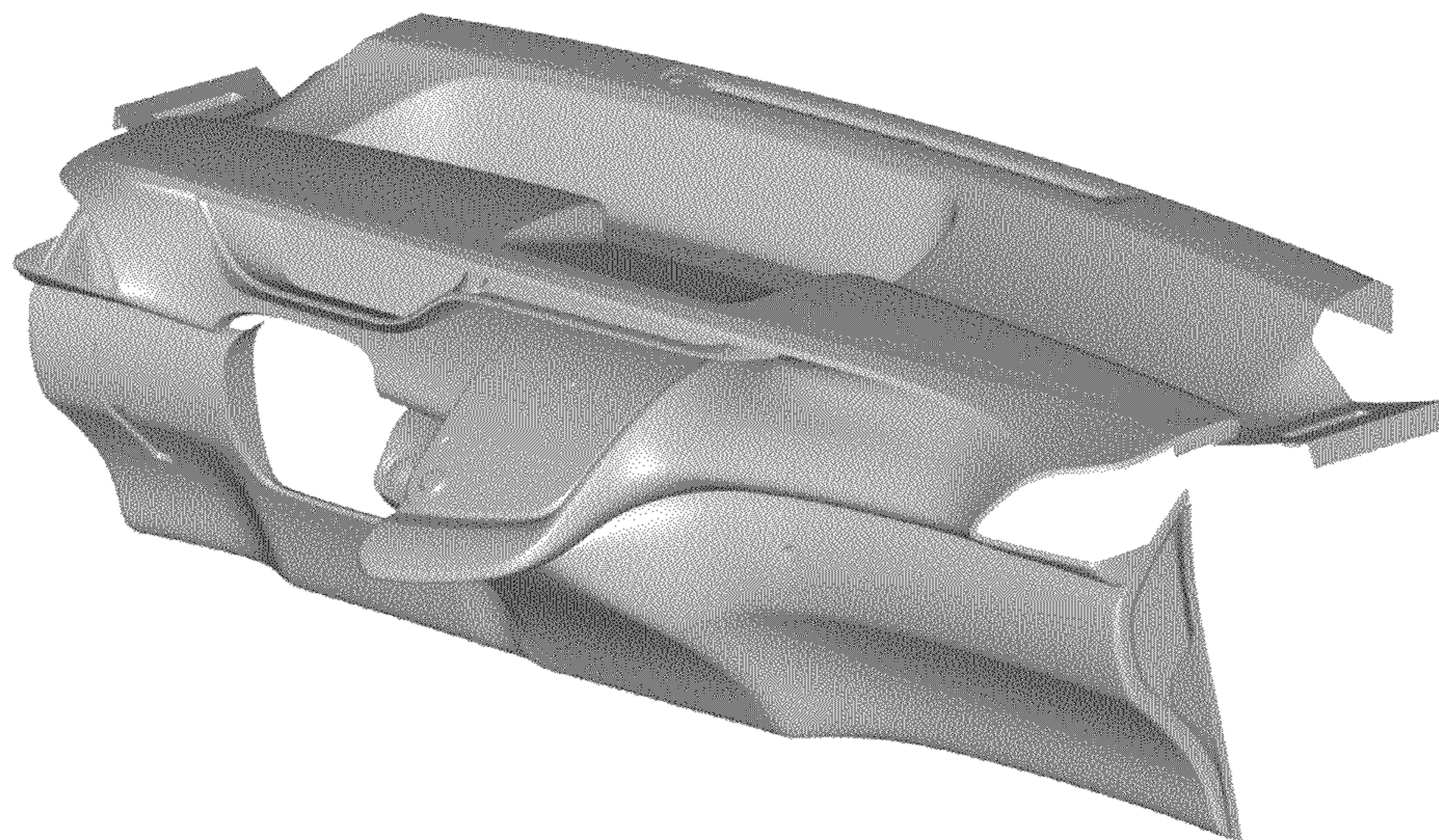


FIG. 1

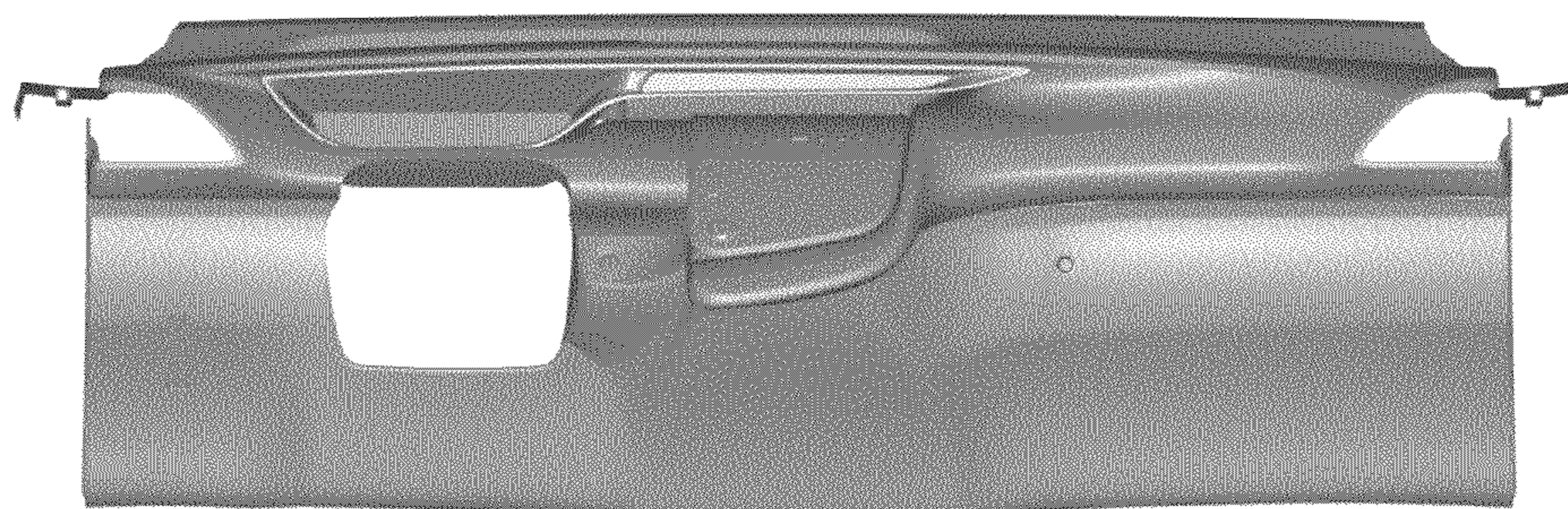


FIG. 2



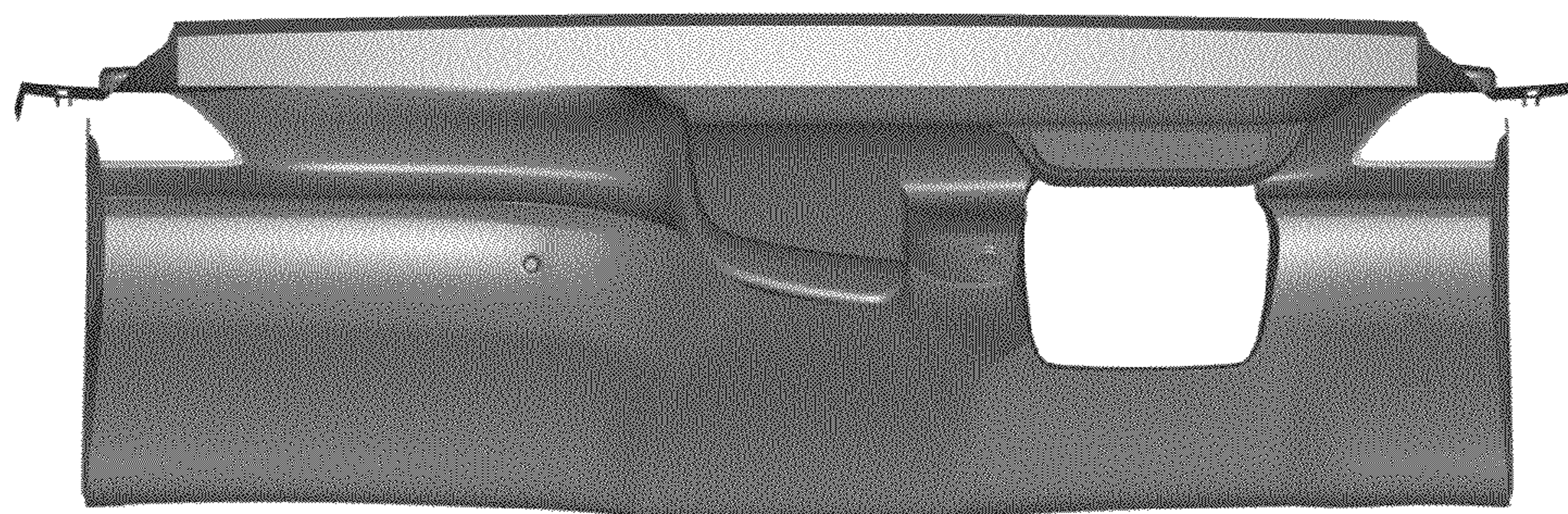


FIG. 3

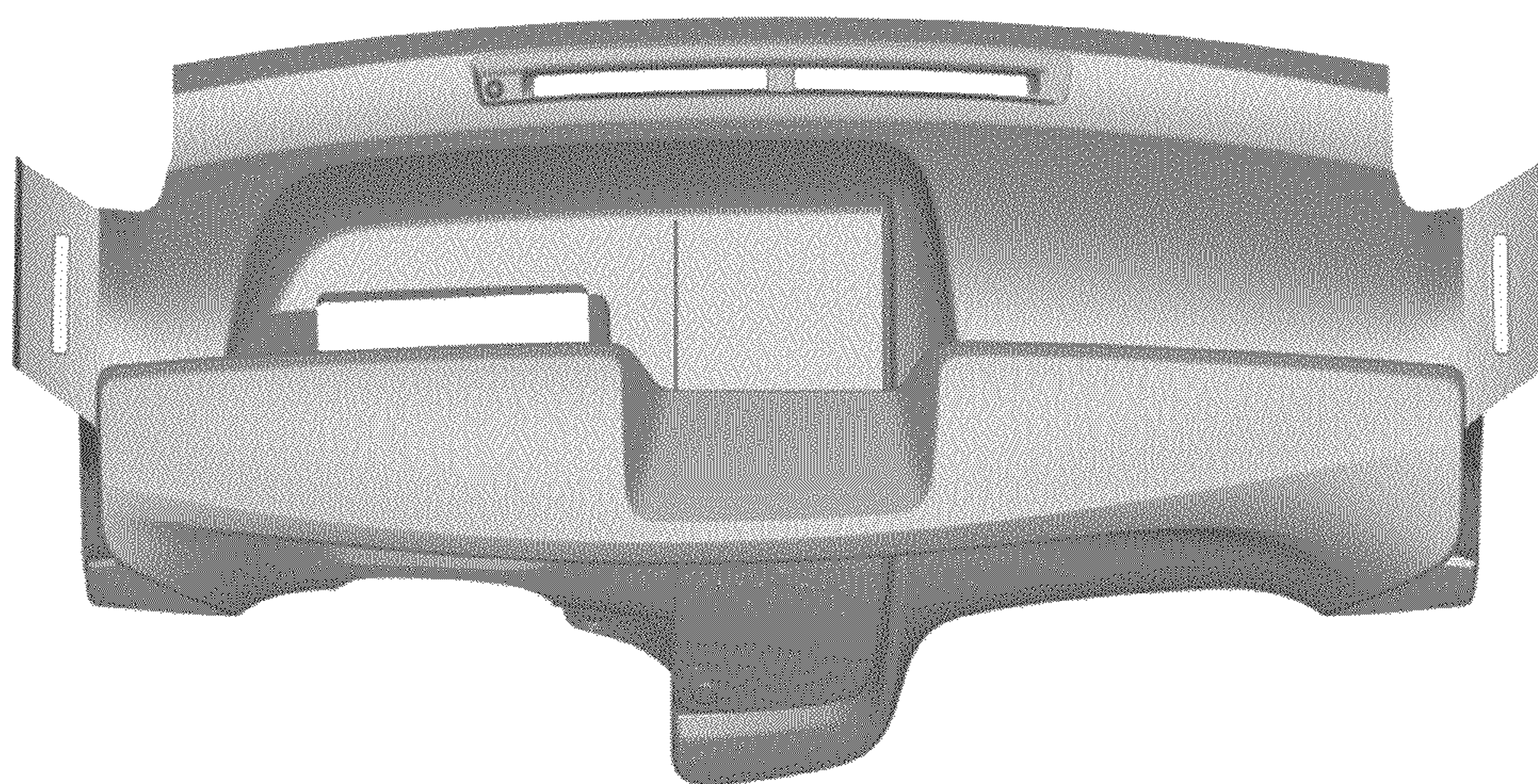


FIG. 4



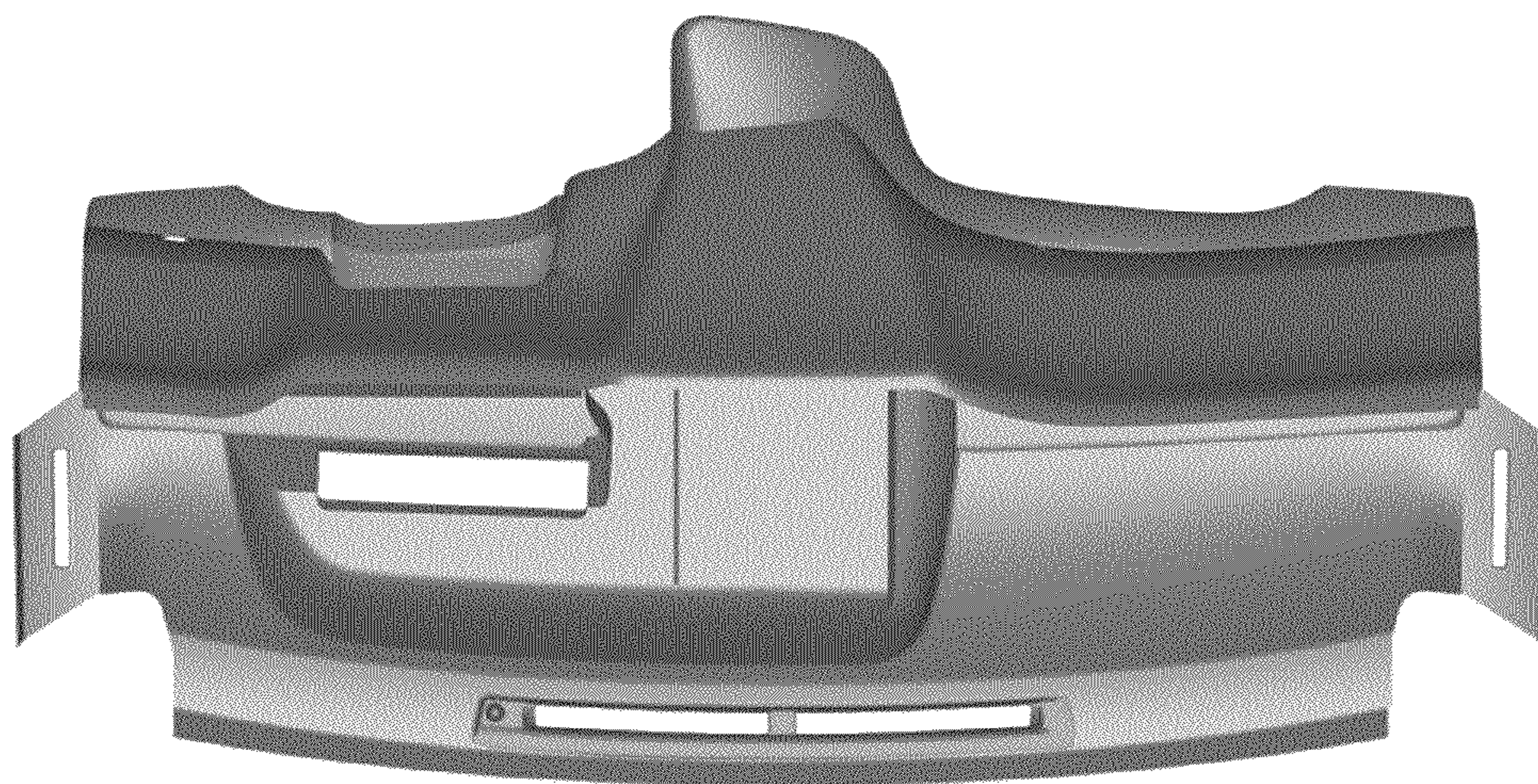


FIG. 5

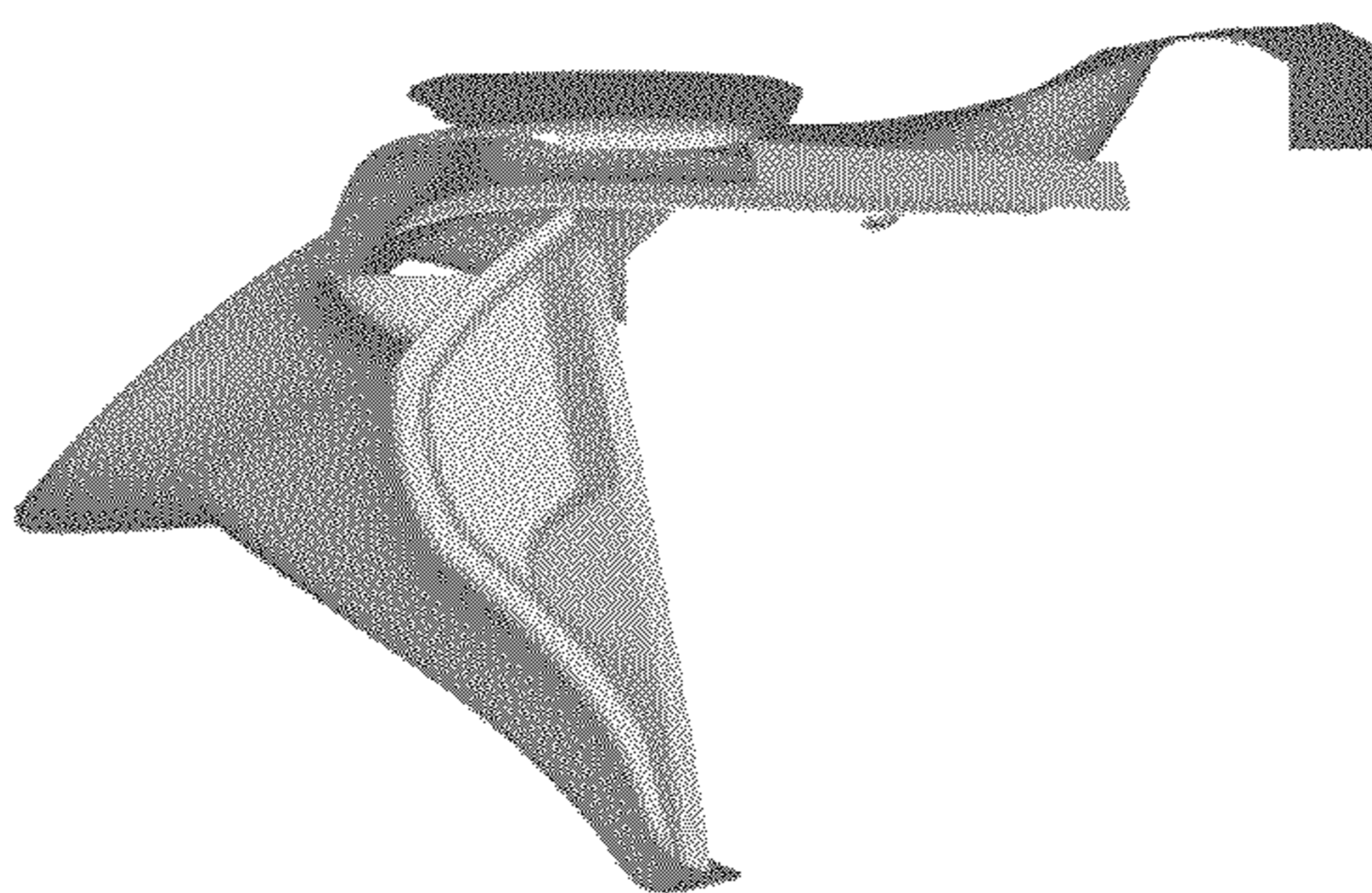


FIG. 6

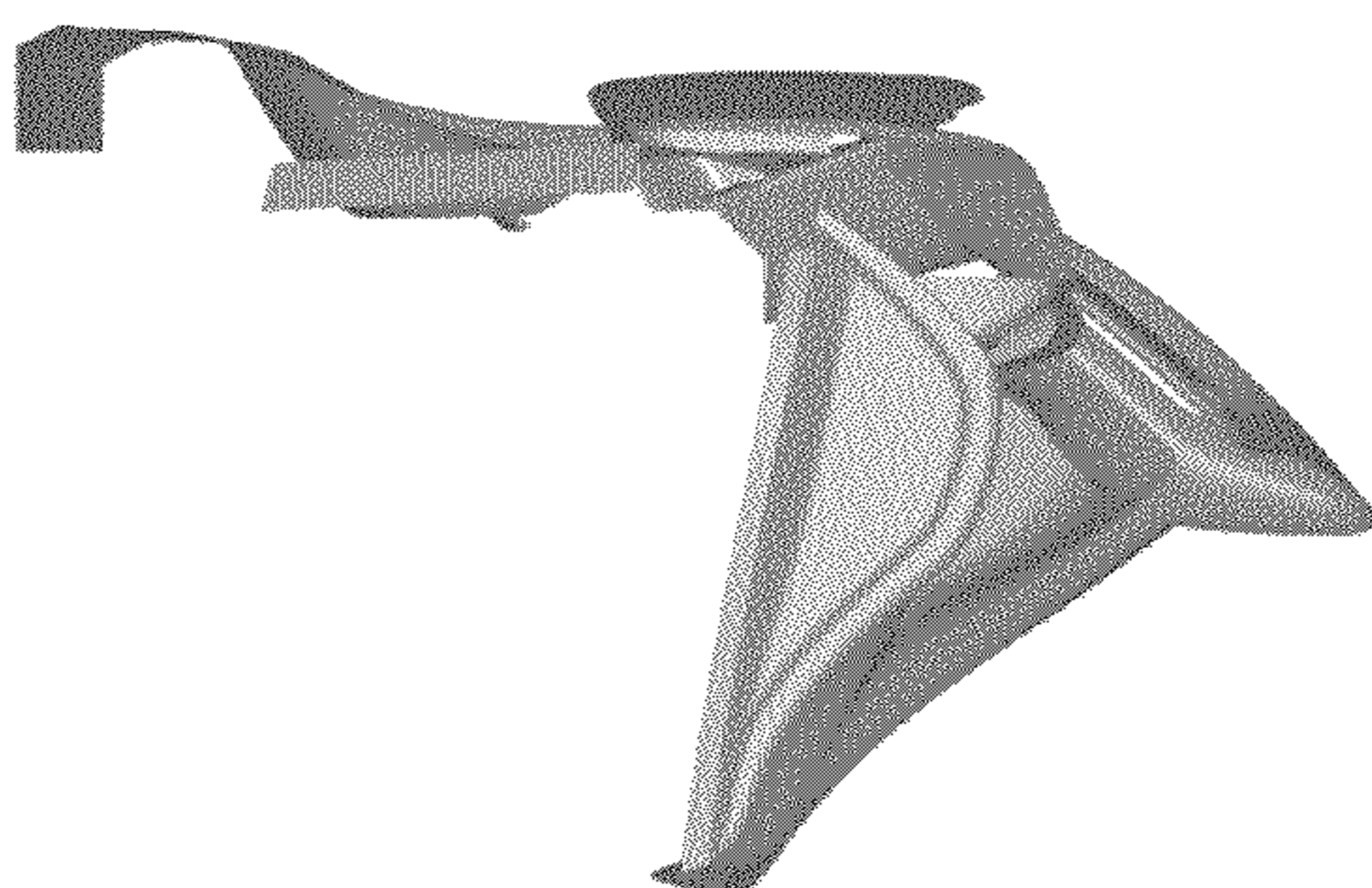


FIG. 7