

US00D696993S

(12) **United States Design Patent**
Tomatsu

(10) **Patent No.:** **US D696,993 S**
(45) **Date of Patent:** **** *Jan. 7, 2014**

(54) **AUTOMOBILE AND/OR TOY REPLICA THEREOF**

(75) Inventor: **Nobuyuki Tomatsu**, Nagoya (JP)

(73) Assignee: **Toyota Jidosha Kabushiki Kaisha** (JP)

(*) Notice: This patent is subject to a terminal disclaimer.

(**) Term: **14 Years**

(21) Appl. No.: **29/388,894**

(22) Filed: **Apr. 4, 2011**

(30) **Foreign Application Priority Data**

| | | | |
|--------------|------|-------|-------------|
| Oct. 6, 2010 | (JP) | | 2011-023940 |
| Jan. 7, 2011 | (JP) | | 2011-000247 |
| Jan. 7, 2011 | (JP) | | 2011-000248 |
| Jan. 7, 2011 | (JP) | | 2011-000252 |

(51) **LOC (10) Cl.** **12-08**

(52) **U.S. Cl.**
USPC **D12/190**

(58) **Field of Classification Search**
USPC D12/190, 400, 90, 91, 92, 199, 197, 86,
D12/171, 169, 163, 110, 114; D11/211, 81,
D11/157, 133, 172; D20/11, 23, 24, 25, 30,
D20/31, 32; 293/102, 115; 40/413, 591,
40/592; 428/31
See application file for complete search history.

(56) **References Cited**

U.S. PATENT DOCUMENTS

| | | | | |
|--------------|--------|-----------------|-------|---------|
| D501,435 S * | 2/2005 | Hosoda et al. | | D12/163 |
| D536,284 S * | 2/2007 | Nakamura et al. | | D12/163 |
| D538,716 S * | 3/2007 | Hogios | | D12/163 |

| | | | | |
|-------------------|---------|----------------|-------|---------|
| D539,196 S * | 3/2007 | Pfeiffer | | D12/163 |
| D539,707 S * | 4/2007 | Golden et al. | | D12/163 |
| D578,444 S * | 10/2008 | Kuo | | D12/163 |
| D587,636 S * | 3/2009 | Kanno et al. | | D12/163 |
| D592,560 S * | 5/2009 | Bauer et al. | | D12/163 |
| D596,088 S * | 7/2009 | Camacho et al. | | D12/163 |
| D605,989 S * | 12/2009 | Leng et al. | | D12/163 |
| 2006/0119115 A1 * | 6/2006 | Filip et al. | | 293/115 |

OTHER PUBLICATIONS

2009 Audi A6, www.netcarshow.com, posted by NetCarShow at least as early as 2009.

2011 Lexus CT200h, www.netcarshow.com, publicly known at least as early as Mar. 2010.

* cited by examiner

Primary Examiner — Katrina A Betton

(74) *Attorney, Agent, or Firm* — SAIDMAN DesignLaw Group

(57) **CLAIM**

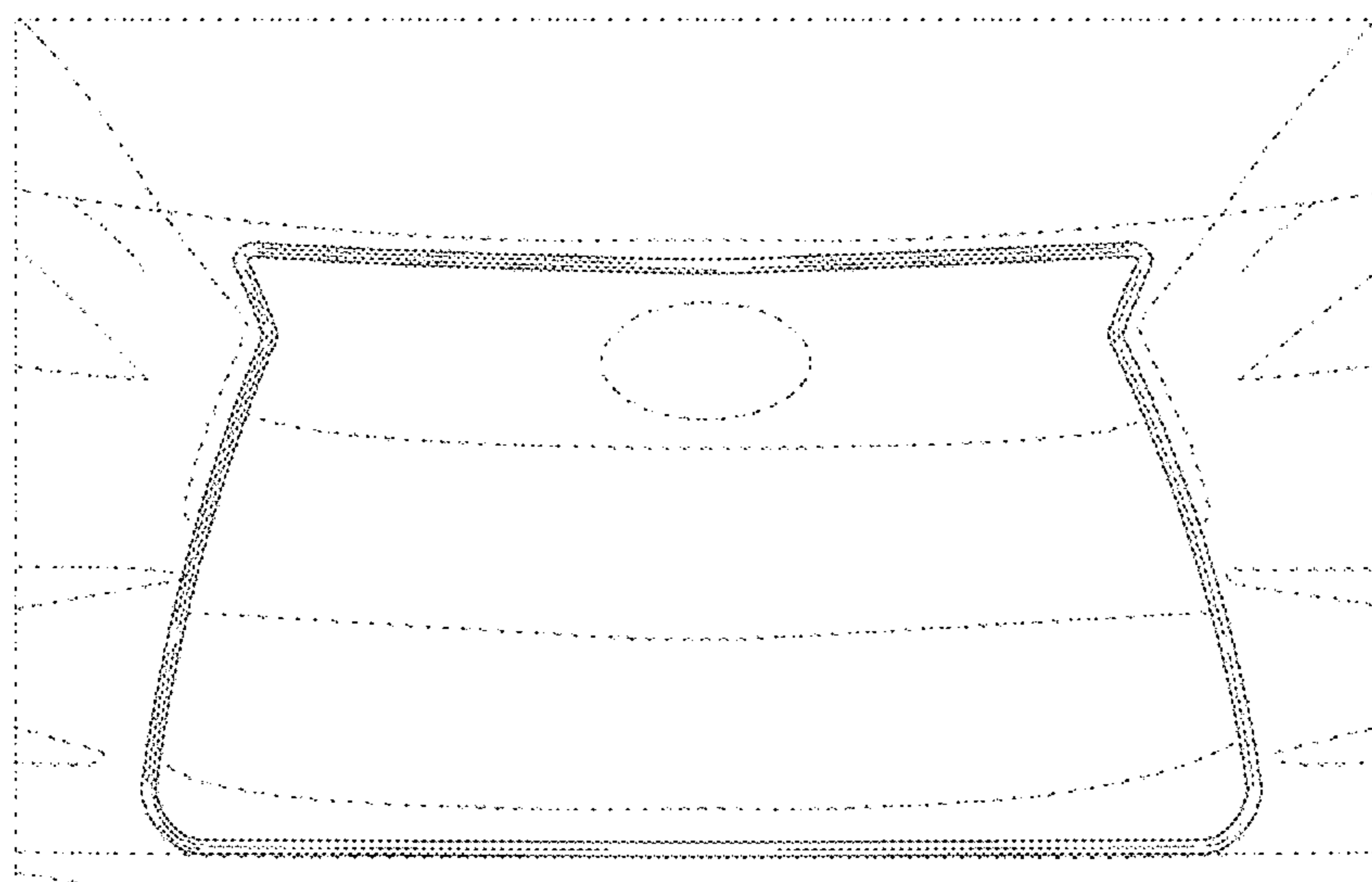
The ornamental design for an automobile and/or toy replica thereof, as shown and described.

DESCRIPTION

FIG. 1 is a perspective view of an automobile and/or toy replica thereof showing my new design;
FIG. 2 is a front view thereof;
FIG. 3 is a rear view thereof;
FIG. 4 is a top view thereof;
FIG. 5 is a left side view thereof;
FIG. 6 is an enlarged view showing a portion of FIG. 1 defined by line 6-6; and,
FIG. 7 is an enlarged view showing a portion of FIG. 5 defined by lines 7-7.

The broken lines illustrate portions of the automobile and/or toy replica thereof and form no part of the claimed design.

1 Claim, 5 Drawing Sheets



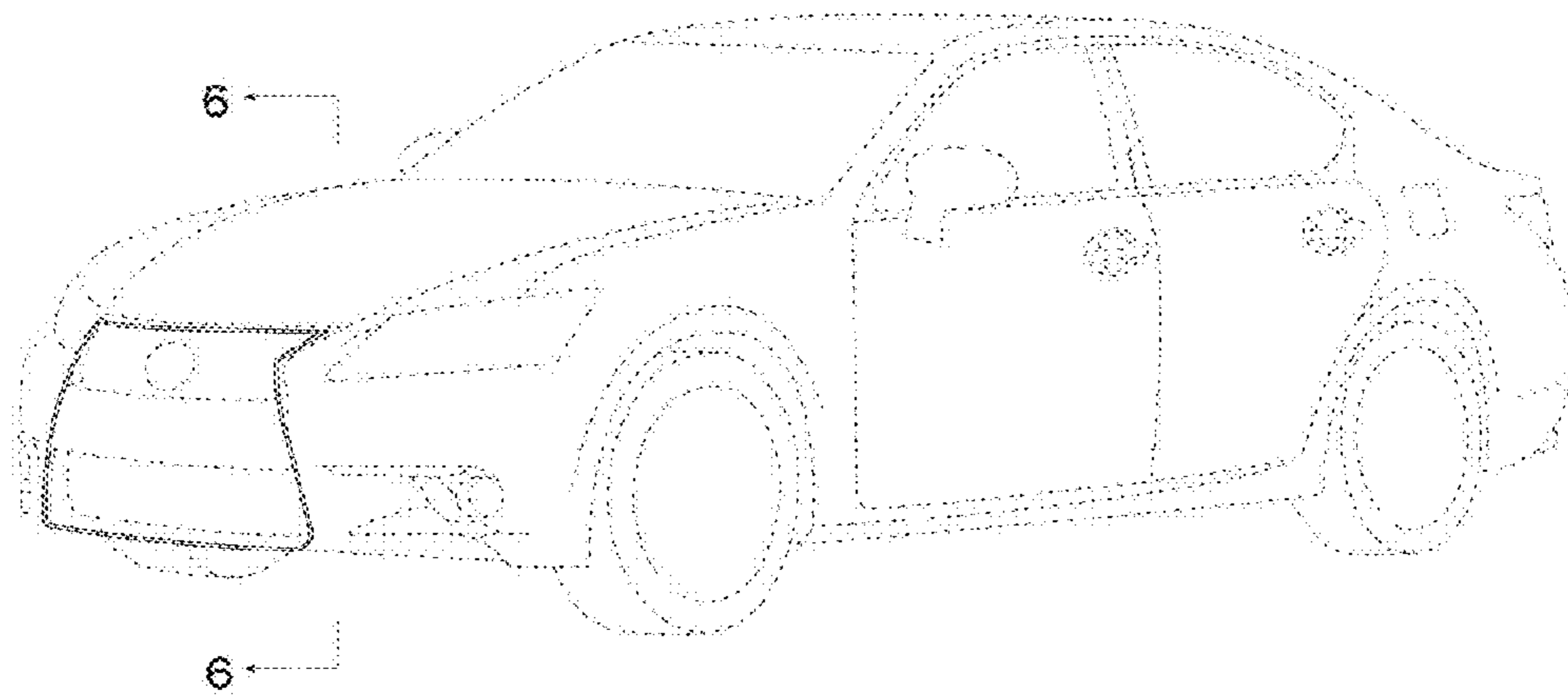


FIG. 1

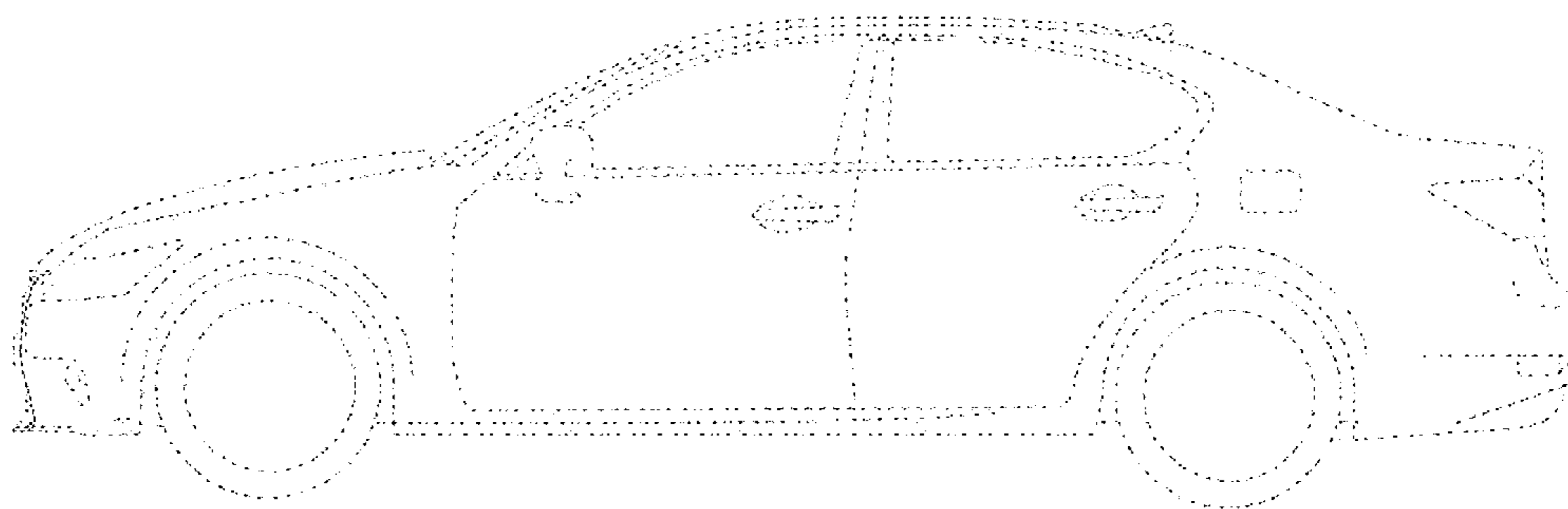


FIG. 2

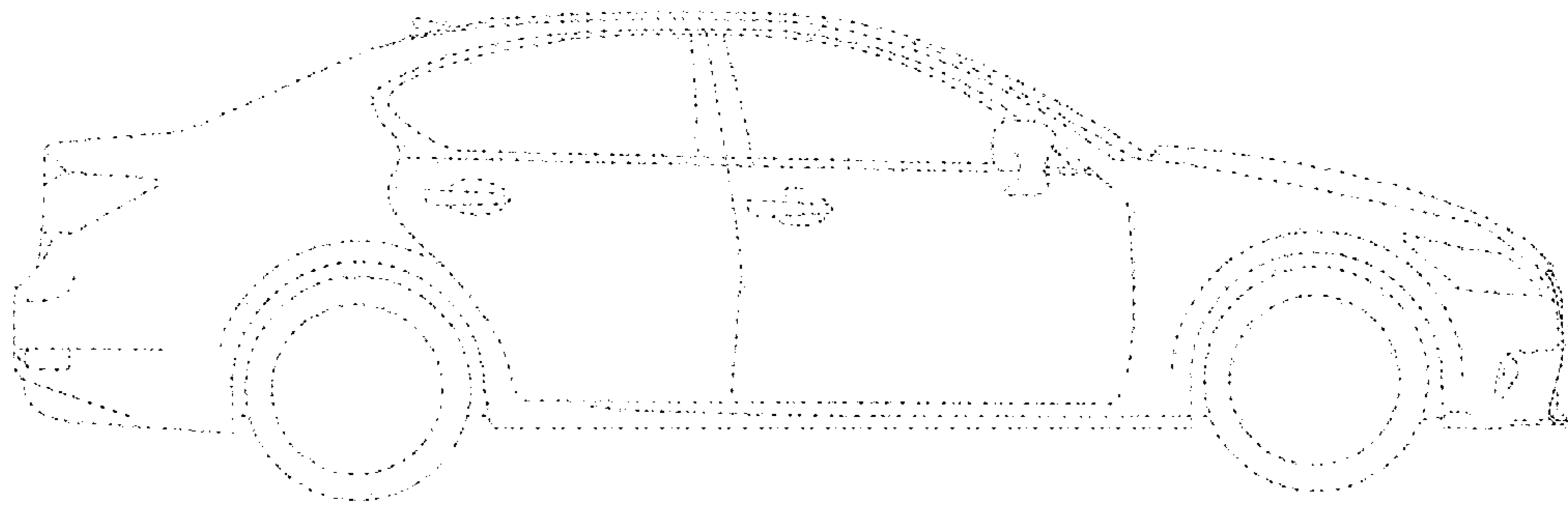


FIG. 3

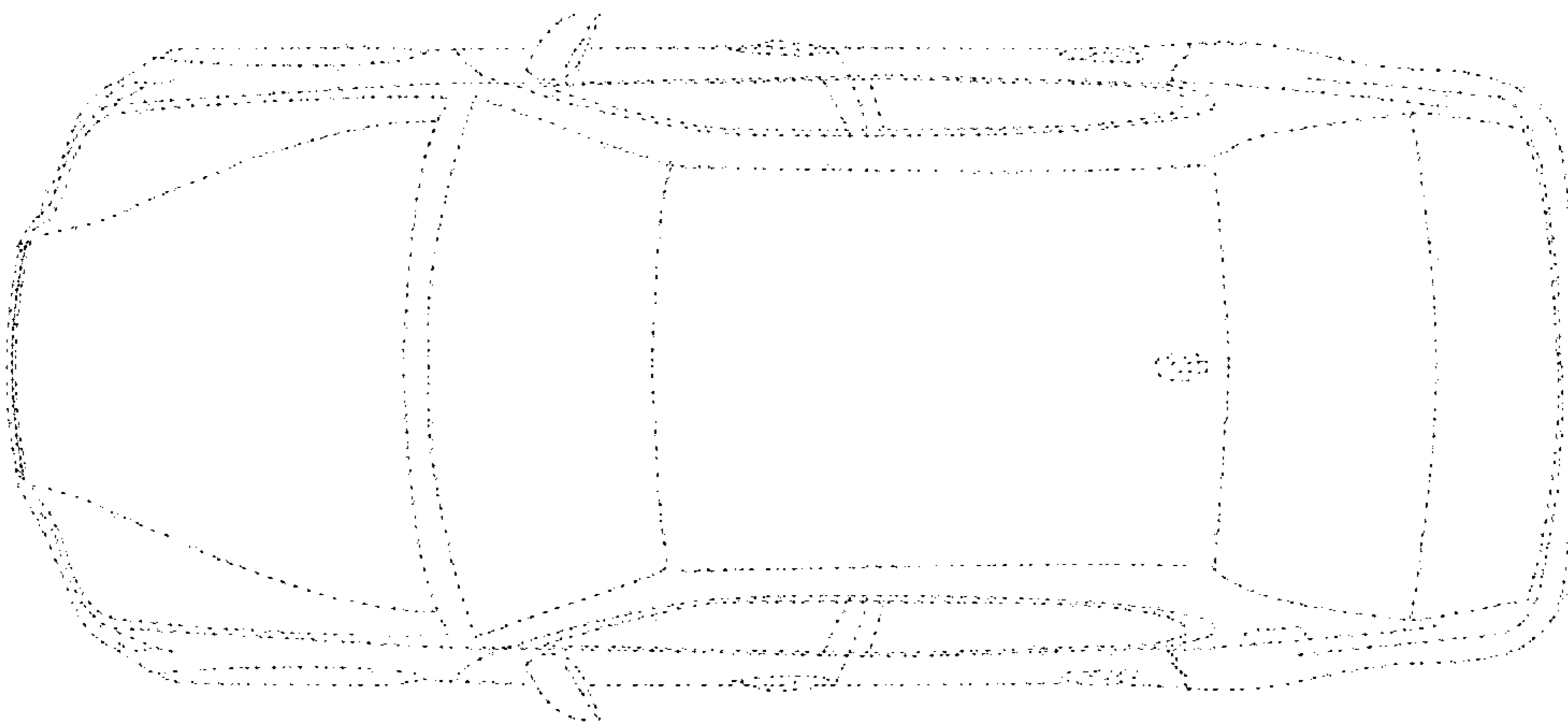


FIG. 4

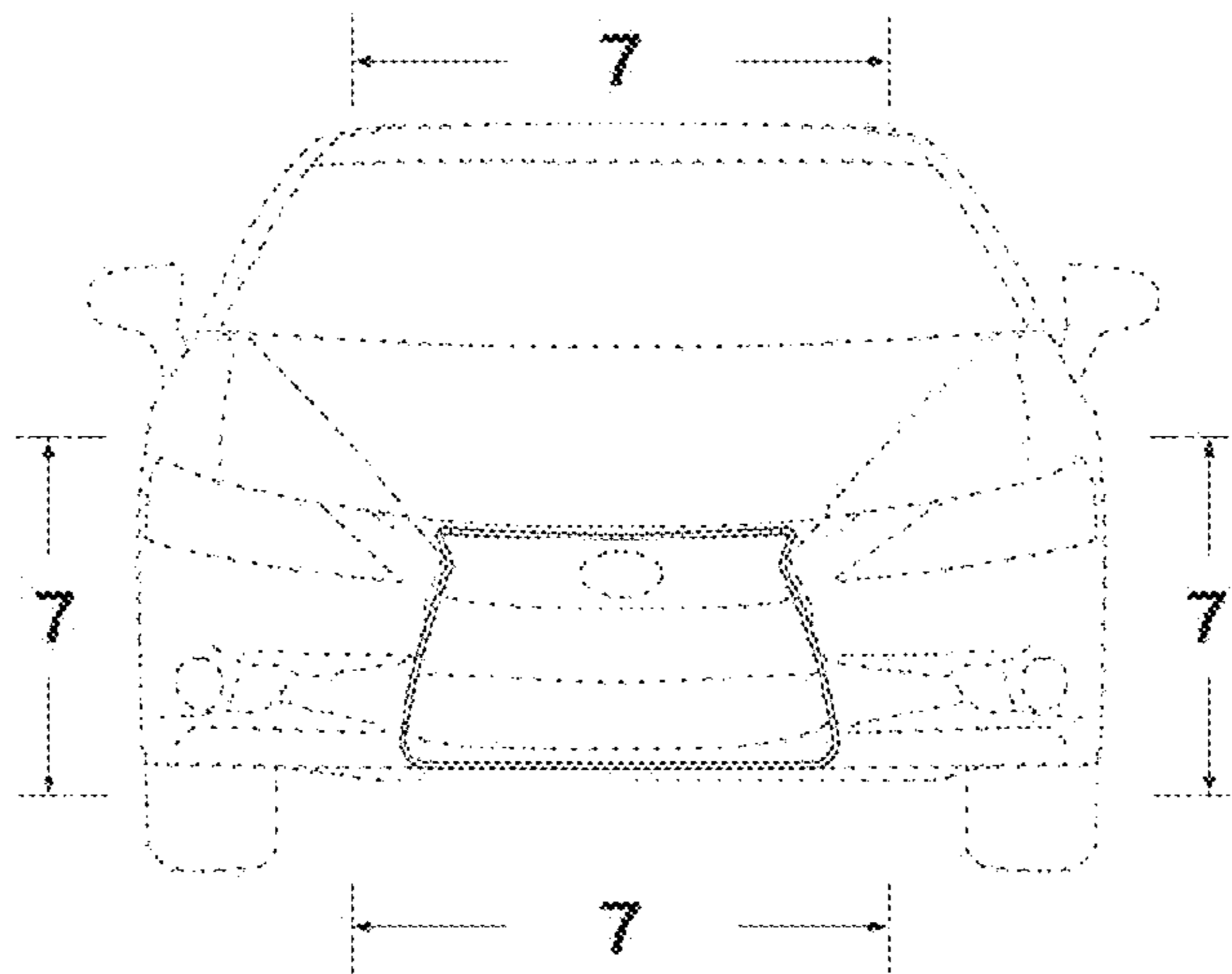


FIG. 5

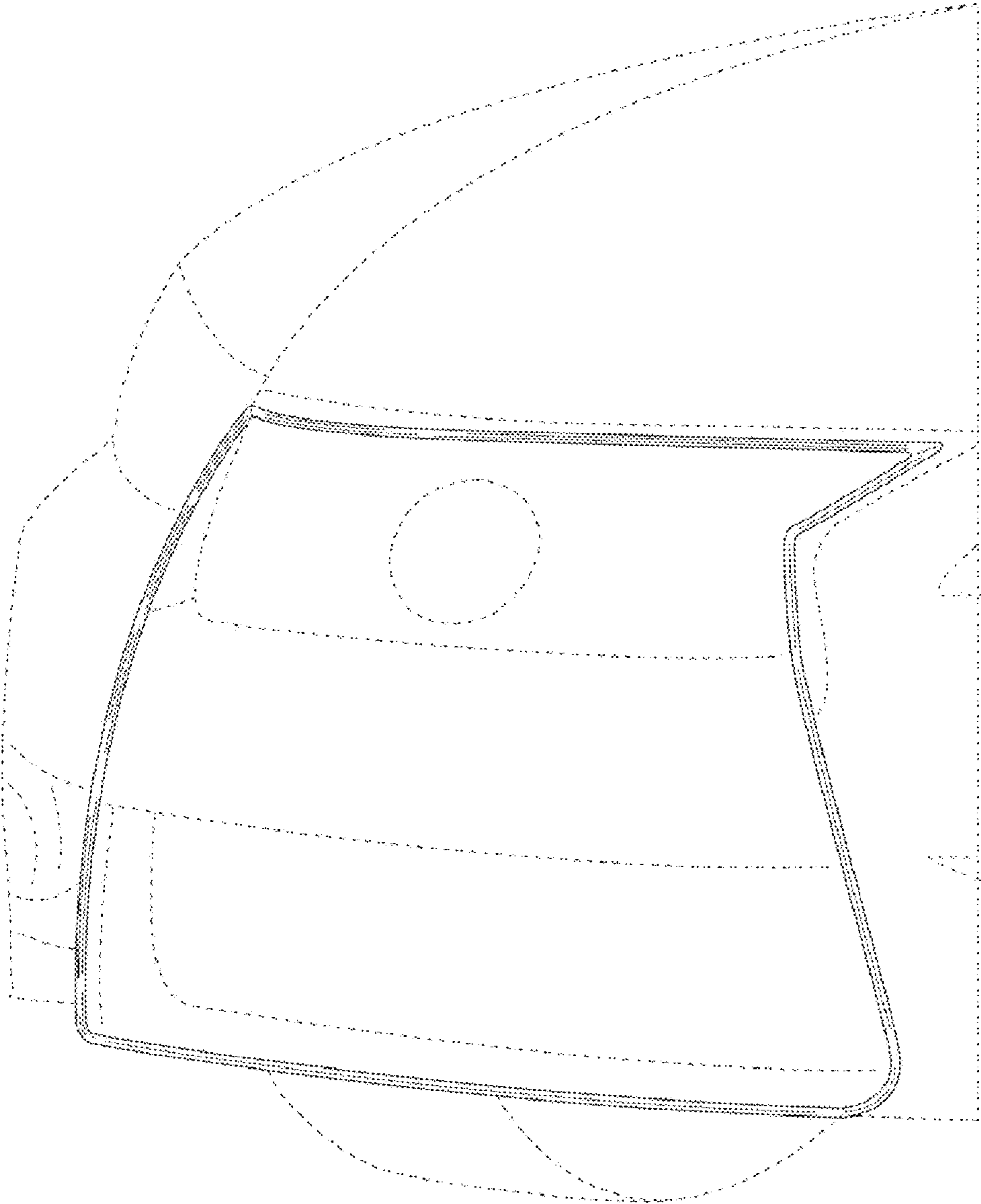


FIG. 6

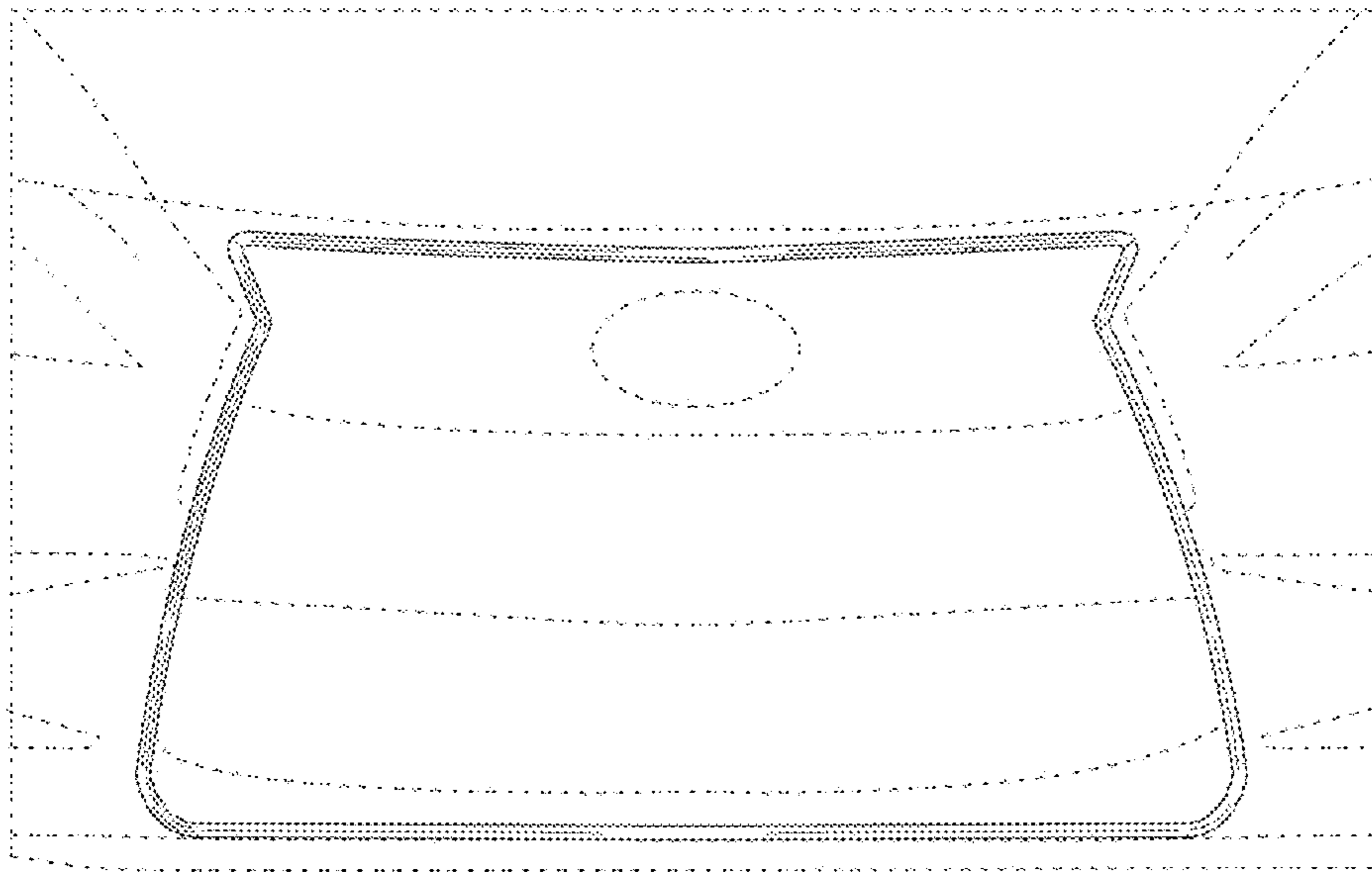


FIG. 7