



US00D696984S

(12) **United States Design Patent**
Haupt

(10) **Patent No.:** **US D696,984 S**
(45) **Date of Patent:** **** Jan. 7, 2014**

- (54) **TRAINING DEVICE**
- (71) Applicant: **ActiveCross GmbH**, Stuttgart (DE)
- (72) Inventor: **Wolfgang Haupt**, Nuremberg (DE)
- (73) Assignee: **ActiveCross GmbH**, Stuttgart (DE)
- (**) Term: **14 Years**
- (21) Appl. No.: **29/432,567**
- (22) Filed: **Sep. 17, 2012**
- (51) **LOC (10) Cl.** **12-11**
- (52) **U.S. Cl.**
USPC **D12/112; D12/111**
- (58) **Field of Classification Search**
USPC D12/111, 112, 107; D21/663-665;
482/51-53, 57; 280/220, 221, 224,
280/256, 282, 287
See application file for complete search history.

- D526,250 S * 8/2006 Trumble et al. D12/111
- 7,803,090 B2 * 9/2010 Kraus 482/62
- D645,792 S * 9/2011 Bai D12/111

* cited by examiner

Primary Examiner — Susan M Lee
Assistant Examiner — Linda Brooks

(74) *Attorney, Agent, or Firm* — James P. Muraff; Neal, Gerber & Eisenberg LLP

(57) **CLAIM**

The ornamental design for a training device, as shown and described.

DESCRIPTION

FIG. 1 is a left side view of a training device in accordance with the present invention;
FIG. 2 a front view of the training device shown in FIG. 1;
FIG. 3 a rear view of the training device shown in FIG. 1; and,
FIG. 4 is a side perspective view of the training device shown in FIG. 1.

FREECROSS trademark material, which does not form a part of the claimed design, is a registered trademark of Active-Cross GmbH.

(56) **References Cited**
U.S. PATENT DOCUMENTS

- 5,630,774 A * 5/1997 Geschwender 482/57
- 6,708,997 B2 * 3/2004 Chait 280/245

1 Claim, 4 Drawing Sheets





FIG. 1

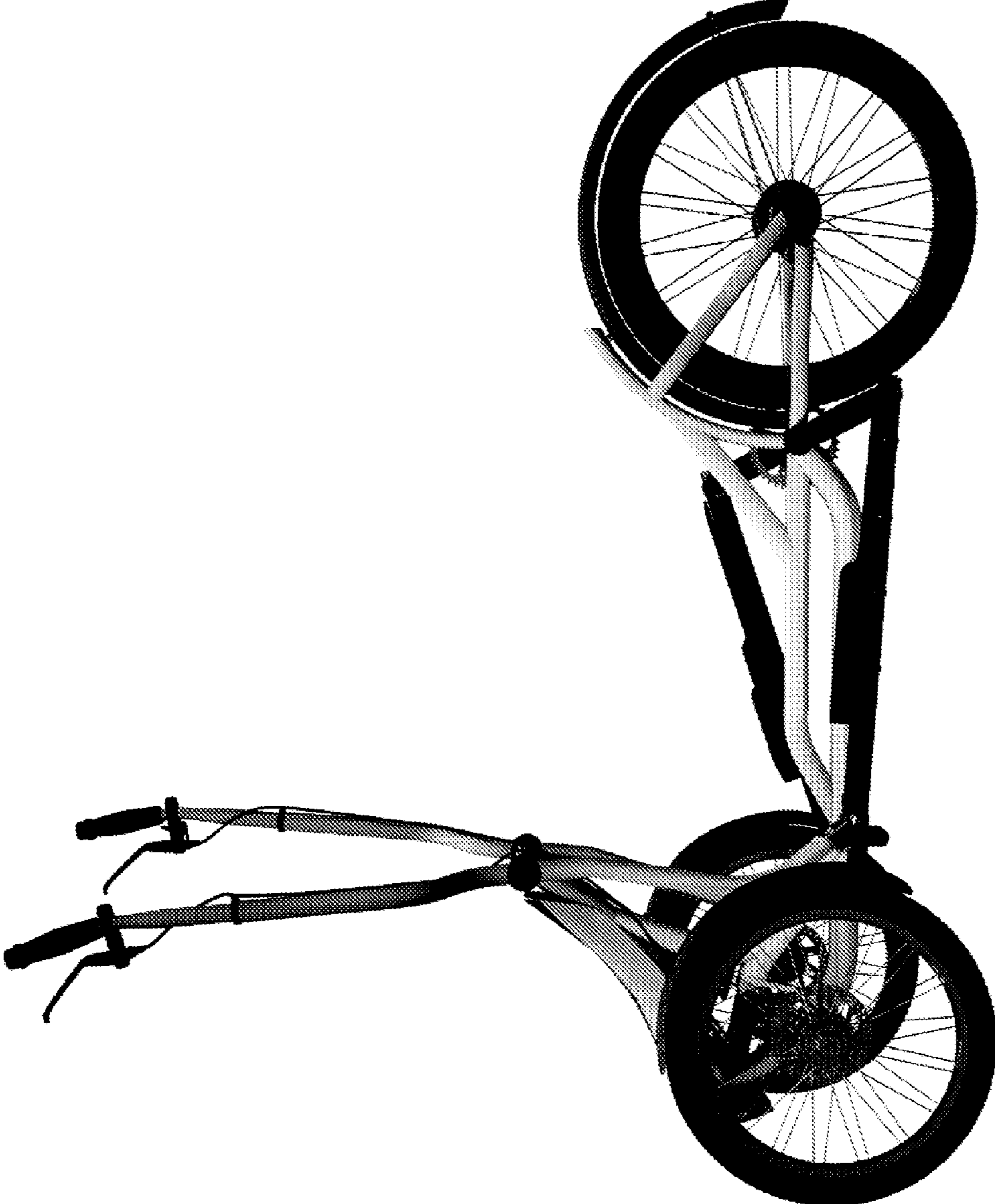


FIG. 2

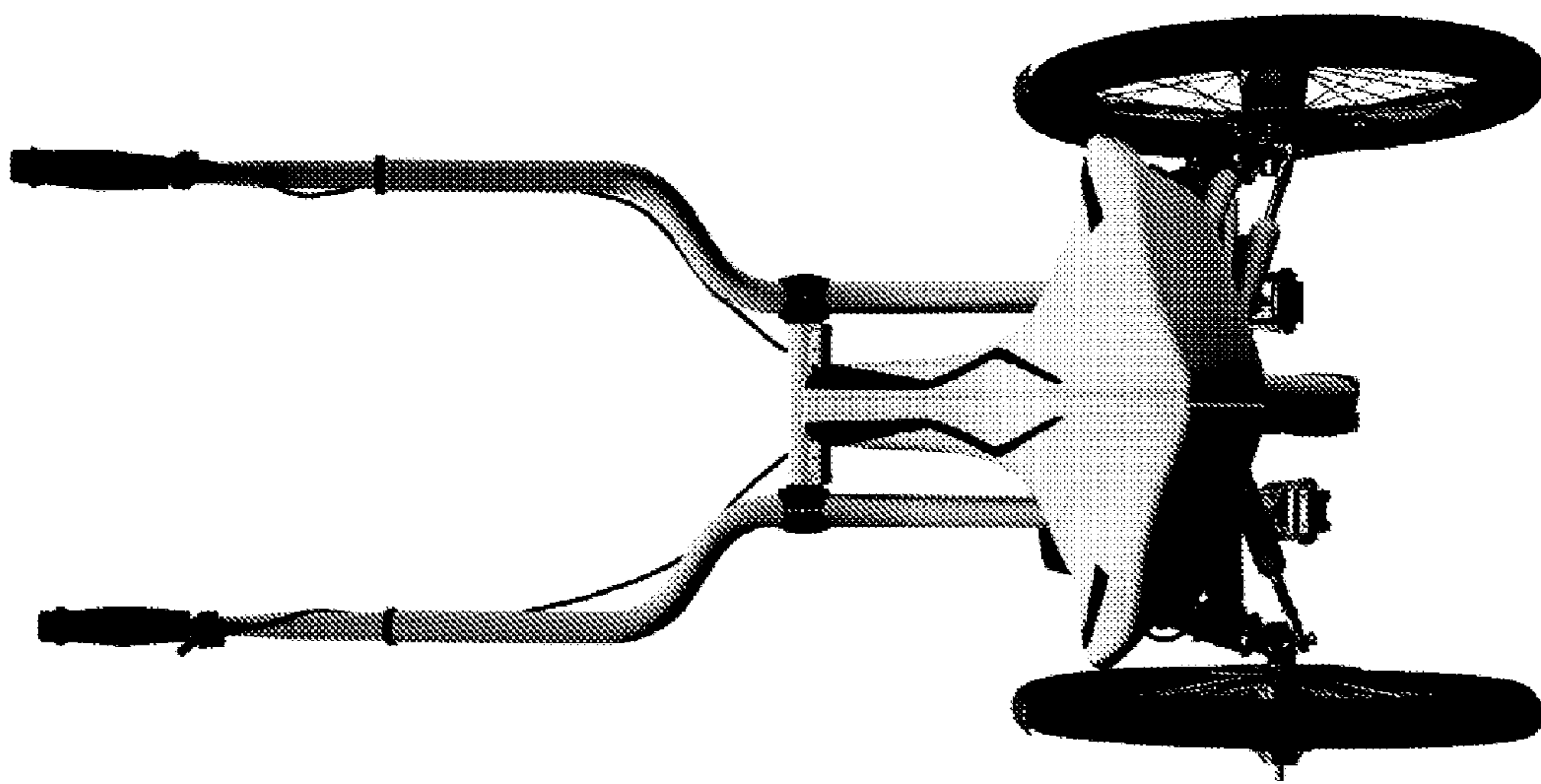


FIG. 3

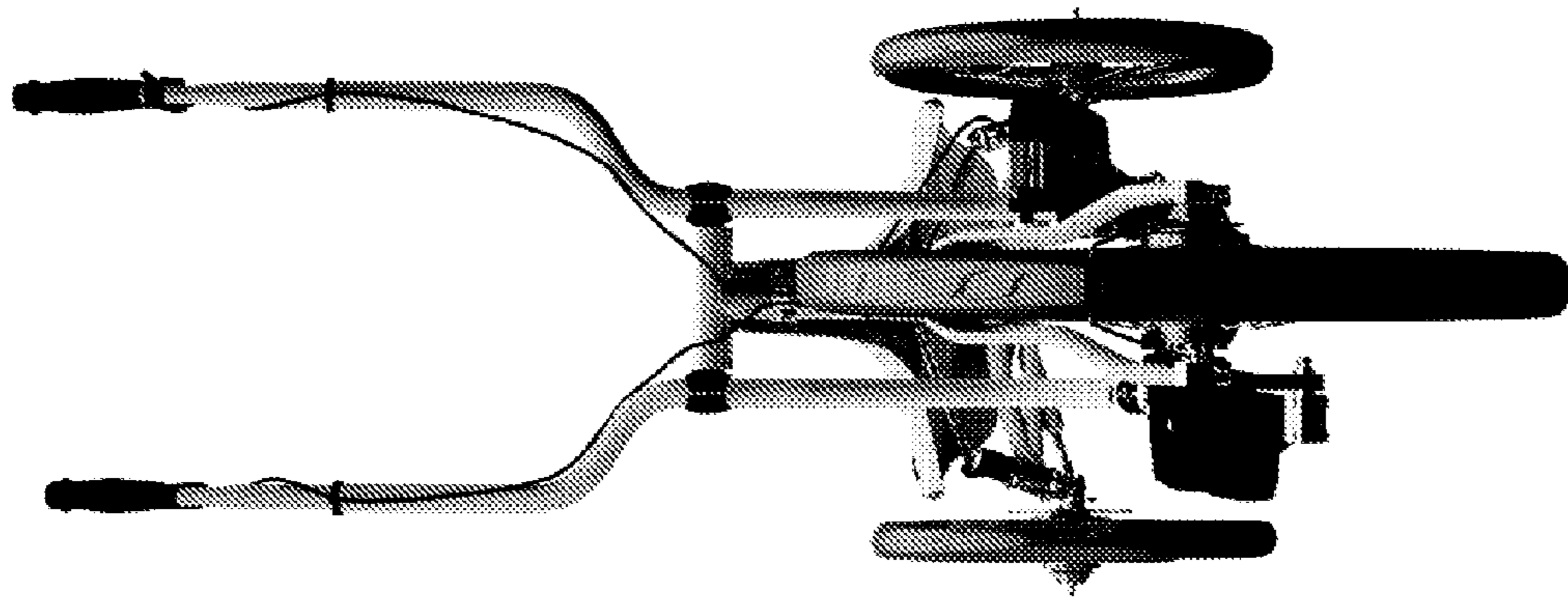


FIG. 4